



US00D600307S

(12) **United States Design Patent**
Fitzpatrick et al.

(10) **Patent No.:** **US D600,307 S**

(45) **Date of Patent:** **** Sep. 15, 2009**

(54) **STOCK BODY FOR A RIFLE**

2008/0236016 A1* 10/2008 Fitzpatrick et al. 42/71.01
2008/0236017 A1* 10/2008 Fitzpatrick et al. 42/73

(75) Inventors: **Richard M. Fitzpatrick**, Longmont, CO
(US); **Michael Mayberry**, Denver, CO
(US)

* cited by examiner

Primary Examiner—T. Chase Nelson

Assistant Examiner—Michael A Pratt

(73) Assignee: **Magpul Industries Corp.**, Erie, CO
(US)

(74) *Attorney, Agent, or Firm*—Geoffrey E. Dobbin

(**) Term: **14 Years**

(57) **CLAIM**

(21) Appl. No.: **29/302,225**

An ornamental design for a stock body for a rifle, as shown and described.

(22) Filed: **Jan. 11, 2008**

DESCRIPTION

(51) **LOC (9) Cl.** **22-01**

FIG. 1 is a right perspective view of the stock body for a rifle.

(52) **U.S. Cl.** **D22/109**

FIG. 2 is a top plan view of the stock body for a rifle.

(58) **Field of Classification Search** D22/100,

FIG. 3 is a rear plan view of the stock body for a rifle.

D22/108, 109, 110, 199; 42/11, 72, 75.02,

FIG. 4 is a right plan view of the stock body for a rifle.

42/71.01, 85, 90, 106, 114, 113, 116, 119,

FIG. 5 is a left perspective view of the stock body for a rifle.

42/124, 125, 127, 145, 128; 248/201, 205.1

FIG. 6 is a bottom plan view of the stock body for a rifle.

See application file for complete search history.

FIG. 7 is a front plan view of the stock body for a rifle; and,

FIG. 8 is a left plan view of the stock body for a rifle.

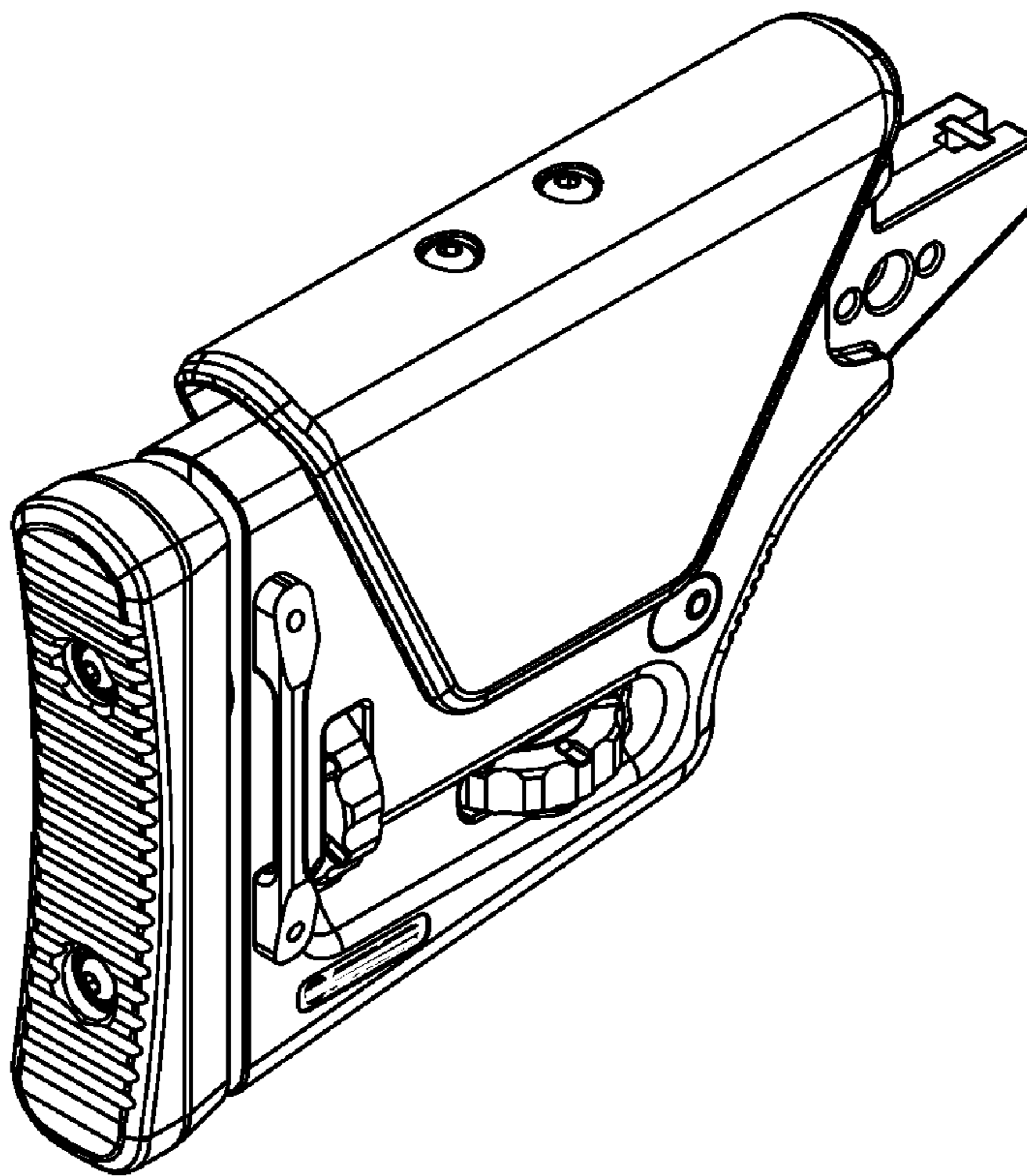
(56) **References Cited**

U.S. PATENT DOCUMENTS

6,598,330 B2* 7/2003 Garrett et al. 42/85
6,637,141 B1* 10/2003 Weatherby et al. 42/75.03
D517,637 S* 3/2006 Murello et al. D22/103
7,162,823 B2* 1/2007 Schoppman et al. 42/75.01
2008/0028662 A1* 2/2008 Abraham et al. 42/73
2008/0168695 A1* 7/2008 Nakayama 42/75.02

The broken lines shown of interior structure in FIG. 7 and of indicia in FIGS. 1, 4 and 8 is included for the purpose of illustrating environment and forms no part of the claimed design.

1 Claim, 2 Drawing Sheets



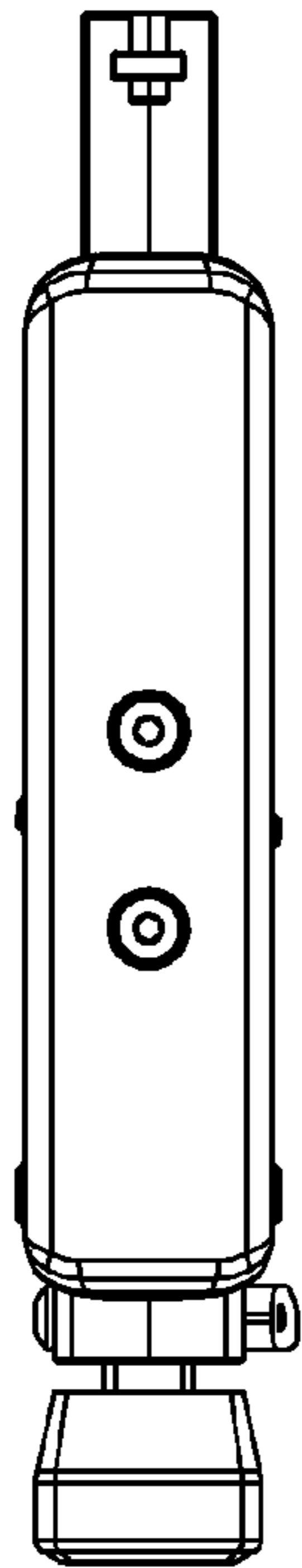


FIG. 2

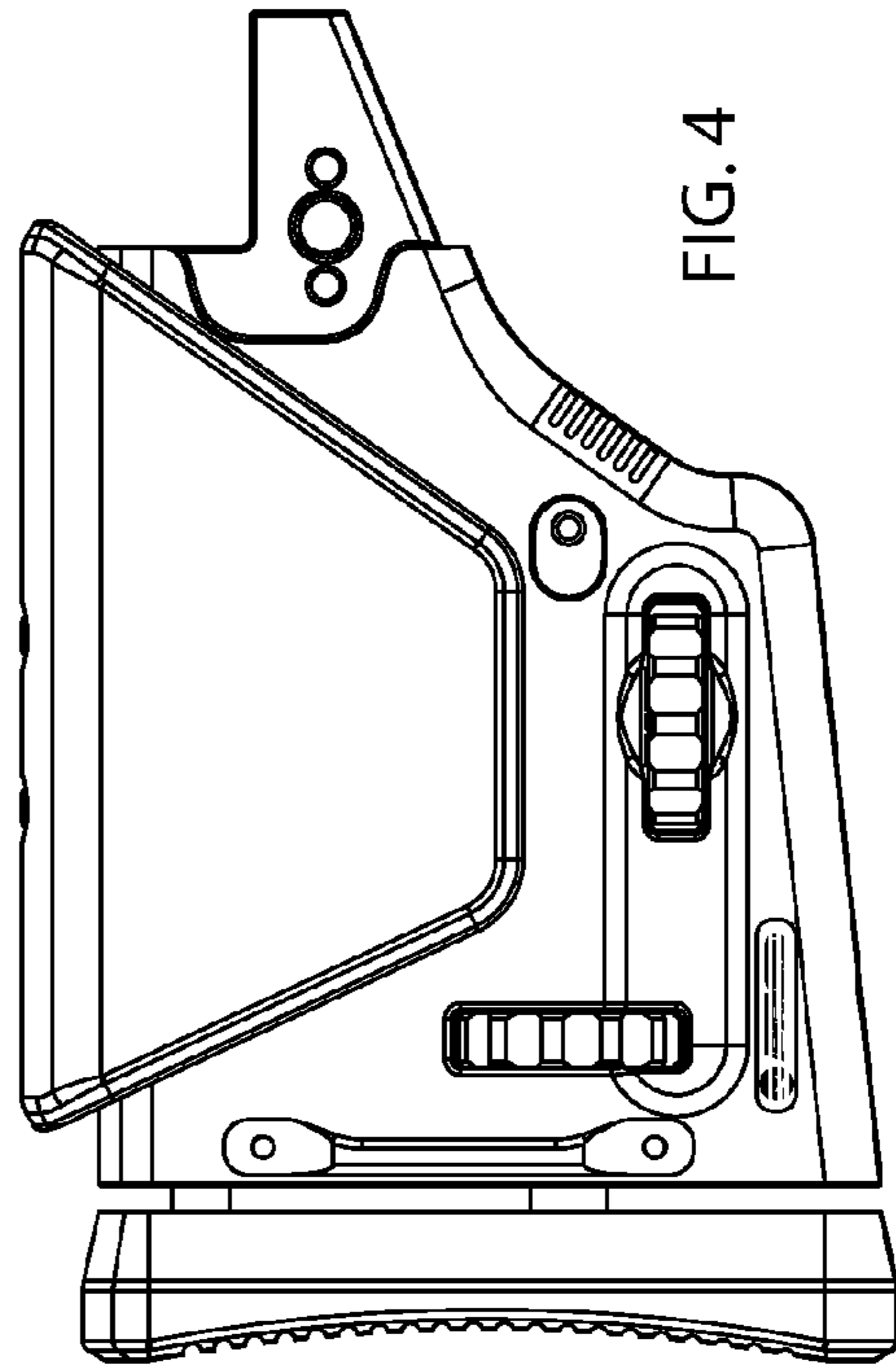


FIG. 4

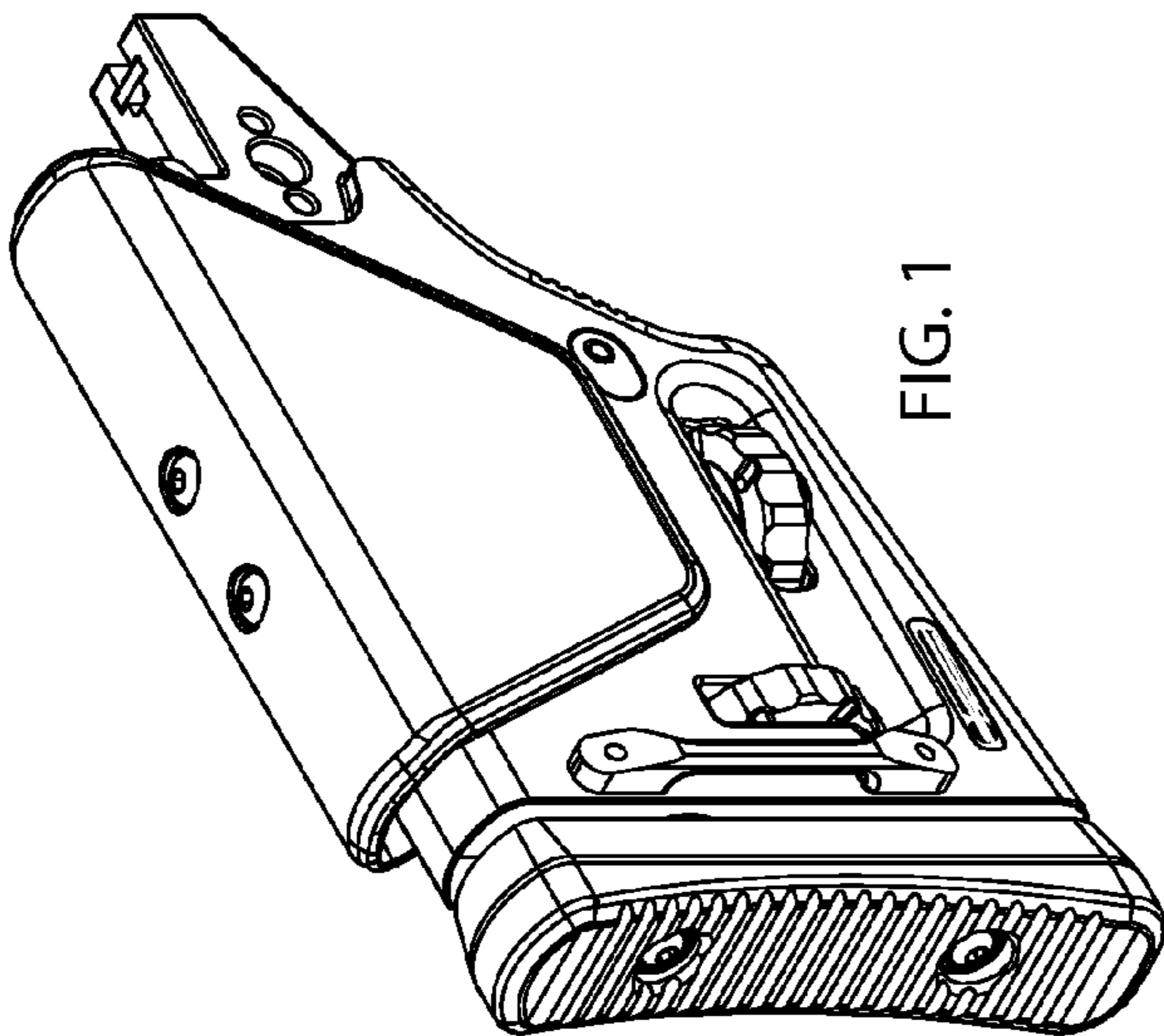


FIG. 1

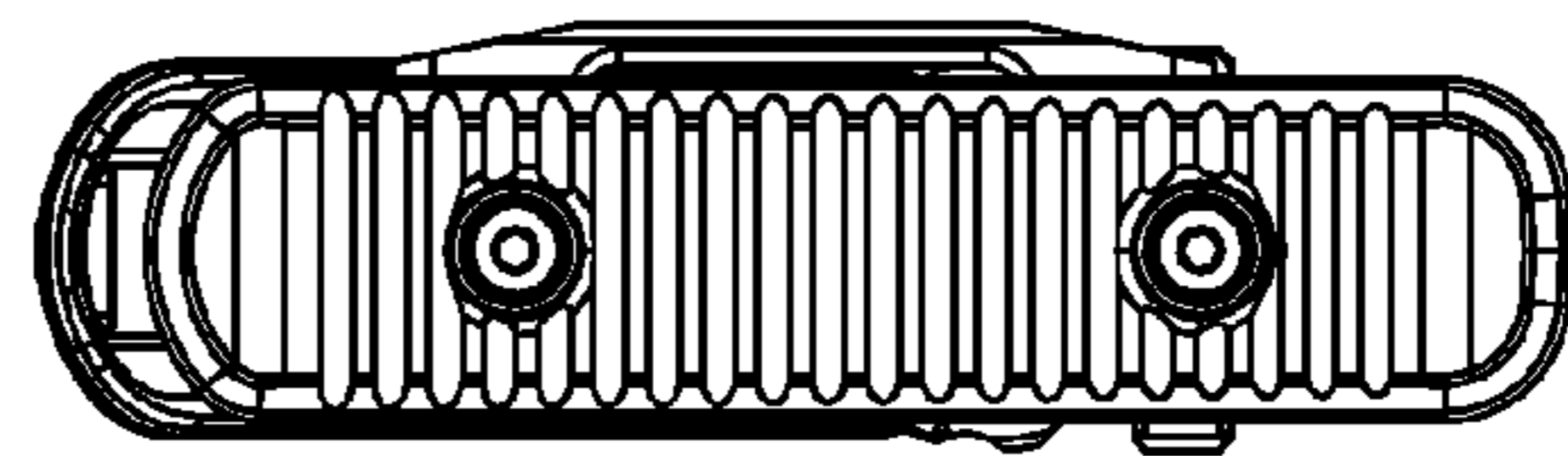


FIG. 3

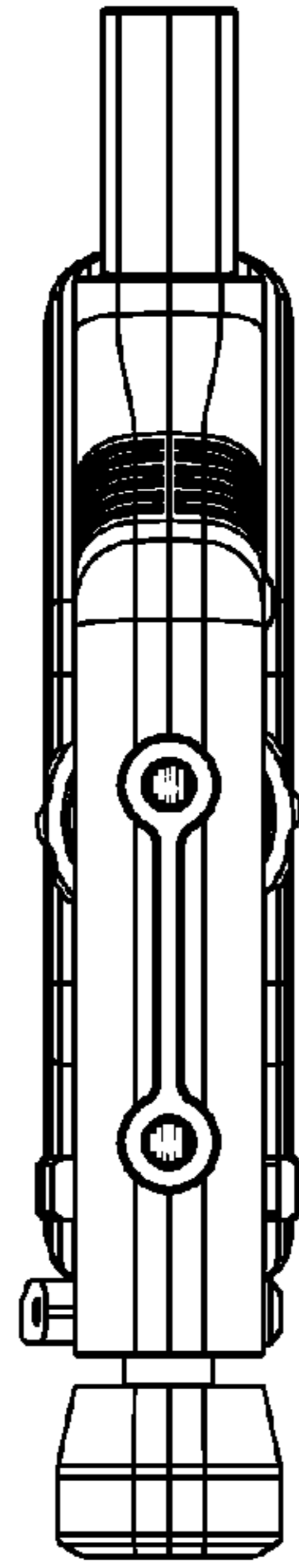


FIG. 6

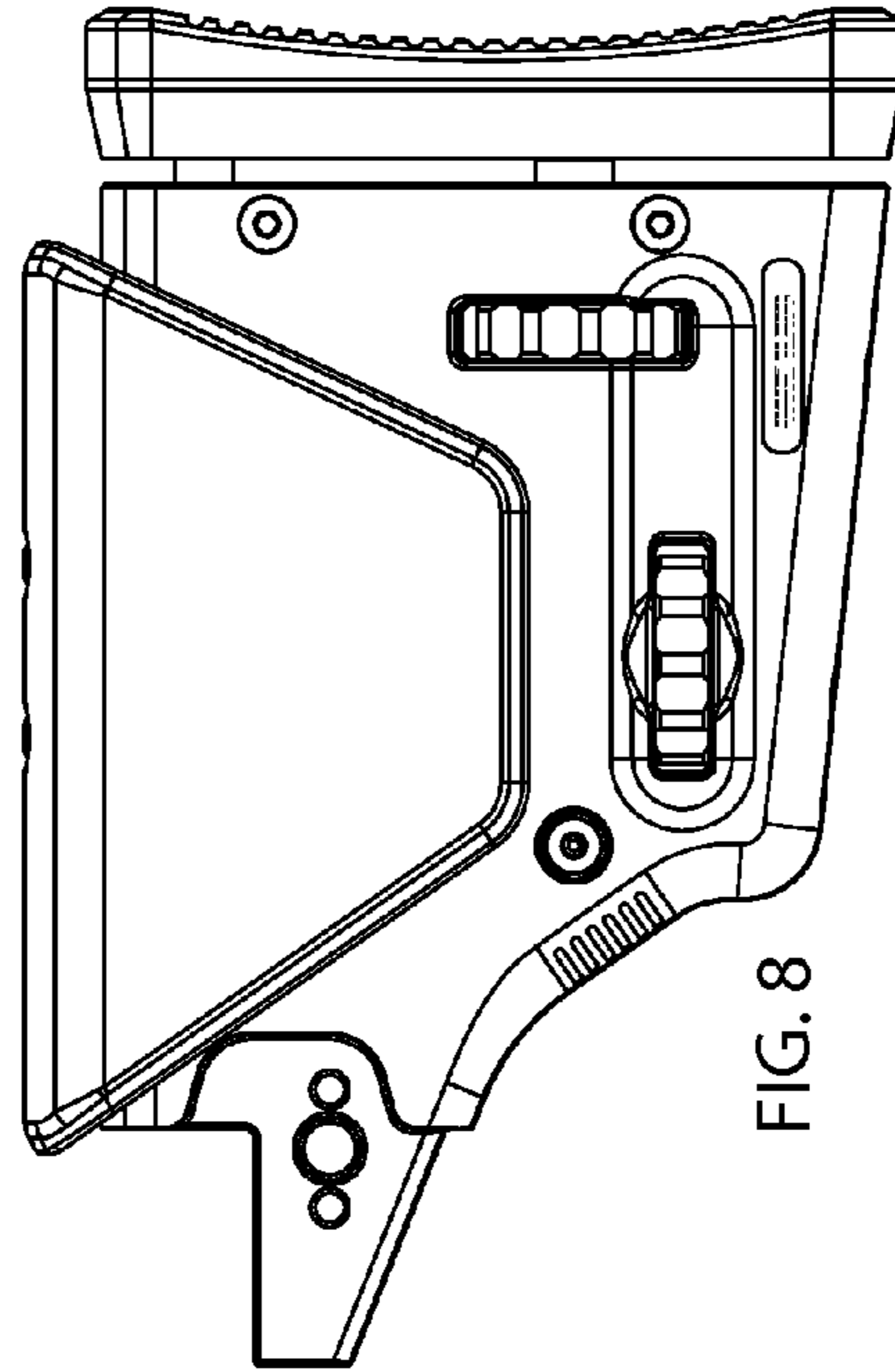


FIG. 8

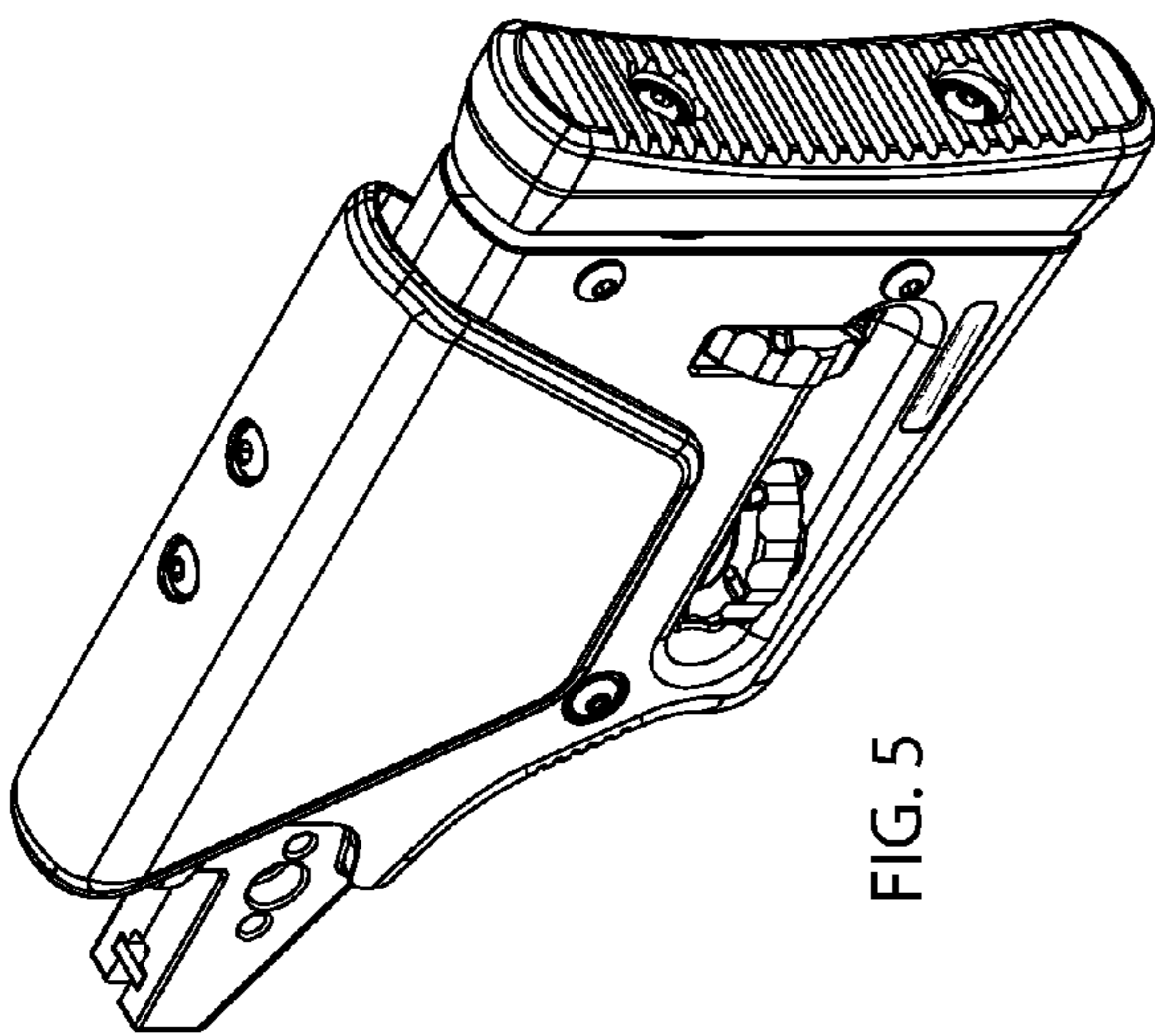


FIG. 5

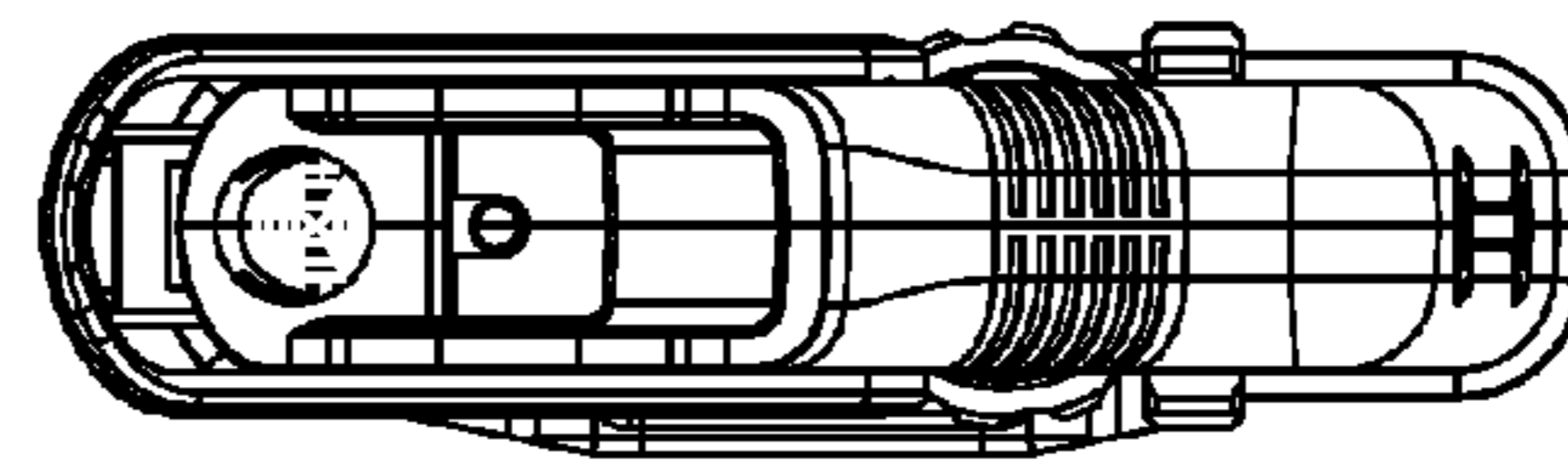


FIG. 7