



US00D600306S

(12) **United States Design Patent**
Fitzpatrick et al.

(10) **Patent No.:** **US D600,306 S**
(45) **Date of Patent:** **** Sep. 15, 2009**

(54) **STOCK ADAPTER FOR RIFLE**

2003/0029070 A1* 2/2003 Dowding 42/75.03

(75) Inventors: **Richard M. Fitzpatrick**, Longmont, CO
(US); **Michael Mayberry**, Denver, CO
(US)

FOREIGN PATENT DOCUMENTS

WO WO 2005083349 A1 * 9/2005

* cited by examiner

(73) Assignee: **Magpul Industries Corp.**, Erie, CO
(US)

Primary Examiner—T. Chase Nelson

Assistant Examiner—Michael A Pratt

(74) *Attorney, Agent, or Firm*—Geoffrey E. Dobbin

(**) Term: **14 Years**

(21) Appl. No.: **29/302,218**

(57) **CLAIM**

(22) Filed: **Jan. 11, 2008**

An ornamental design for a stock adapter for a rifle, as shown and described.

(51) **LOC (9) Cl.** **22-01**

(52) **U.S. Cl.** **D22/109**

(58) **Field of Classification Search** D22/100,
D22/108, 109, 110, 199; 42/11, 72, 75.02,
42/71.01, 85, 90, 106, 114, 113, 116, 119,
42/124, 125, 127, 145, 128; 248/201, 205.1
See application file for complete search history.

DESCRIPTION

FIG. 1 is a perspective view of the stock adapter for a rifle.

FIG. 2 is a left plan view of the stock adapter for a rifle.

FIG. 3 is a right plan view of the stock adapter for a rifle.

FIG. 4 is a top plan view of the stock adapter for a rifle.

FIG. 5 is a bottom plan view of the stock adapter for a rifle.

FIG. 6 is a front plan view of the stock adapter for a rifle.

FIG. 7 is a rear plan view of the stock adapter for a rifle; and,

FIG. 8 is a cross-sectional view of the stock adapter for a rifle taken at line 8—8 of FIG. 6.

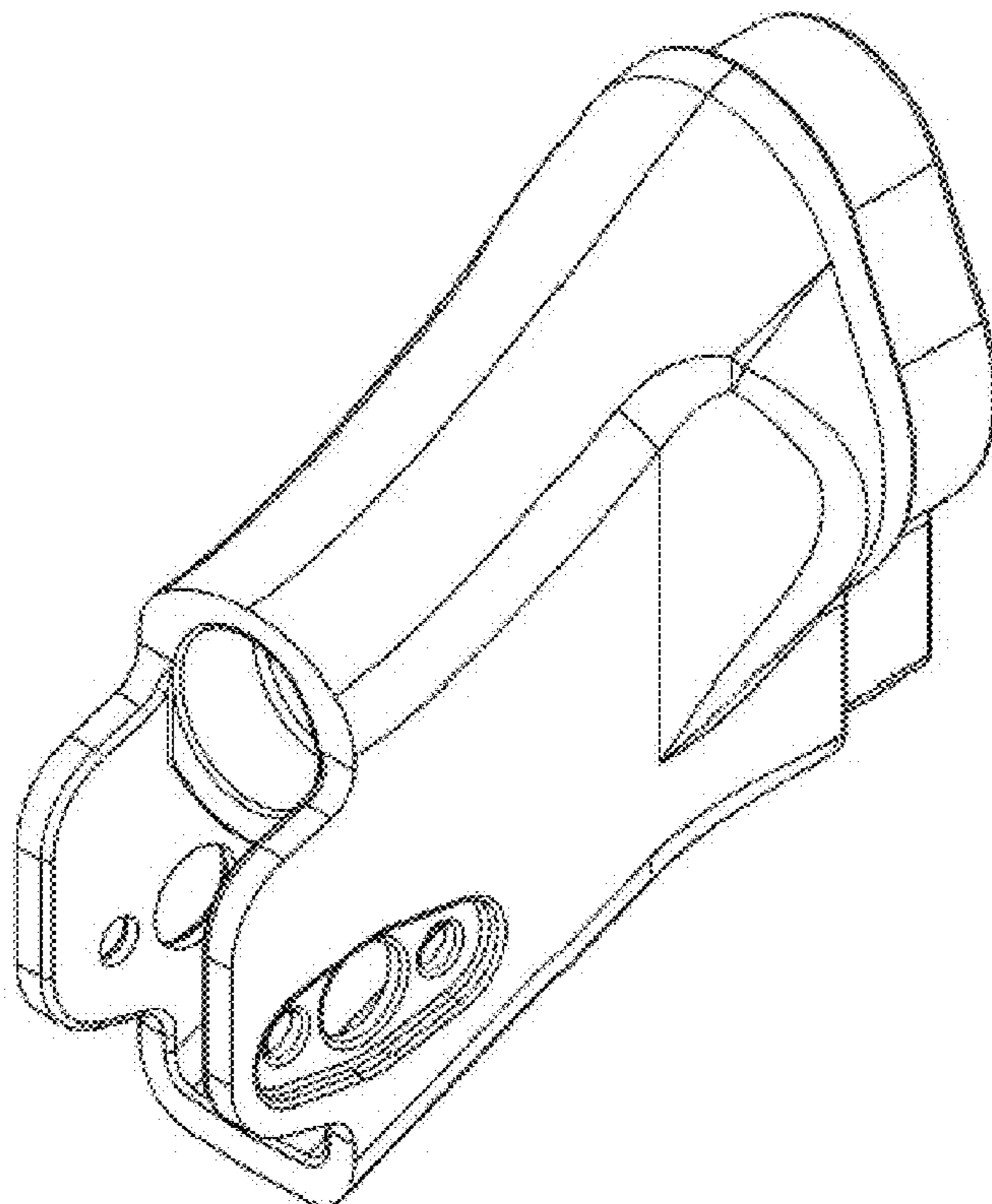
The broken line showing of portions of the stock adapter shown in FIG. 6 is included for the purpose of illustrating environment and forms no part of the claimed design.

(56) **References Cited**

U.S. PATENT DOCUMENTS

1,755,034 A * 4/1930 Stange 42/75.03
4,519,156 A * 5/1985 Shaw 42/77
5,173,564 A * 12/1992 Hammond, Jr. 42/75.03
6,374,528 B1 * 4/2002 Davis et al. 42/71.01
6,427,372 B1 * 8/2002 Howard et al. 42/71.01
6,591,533 B2 * 7/2003 Wygant 42/72
6,651,371 B2 * 11/2003 Fitzpatrick et al. 42/72
6,662,485 B2 * 12/2003 Kay 42/75.03

1 Claim, 5 Drawing Sheets



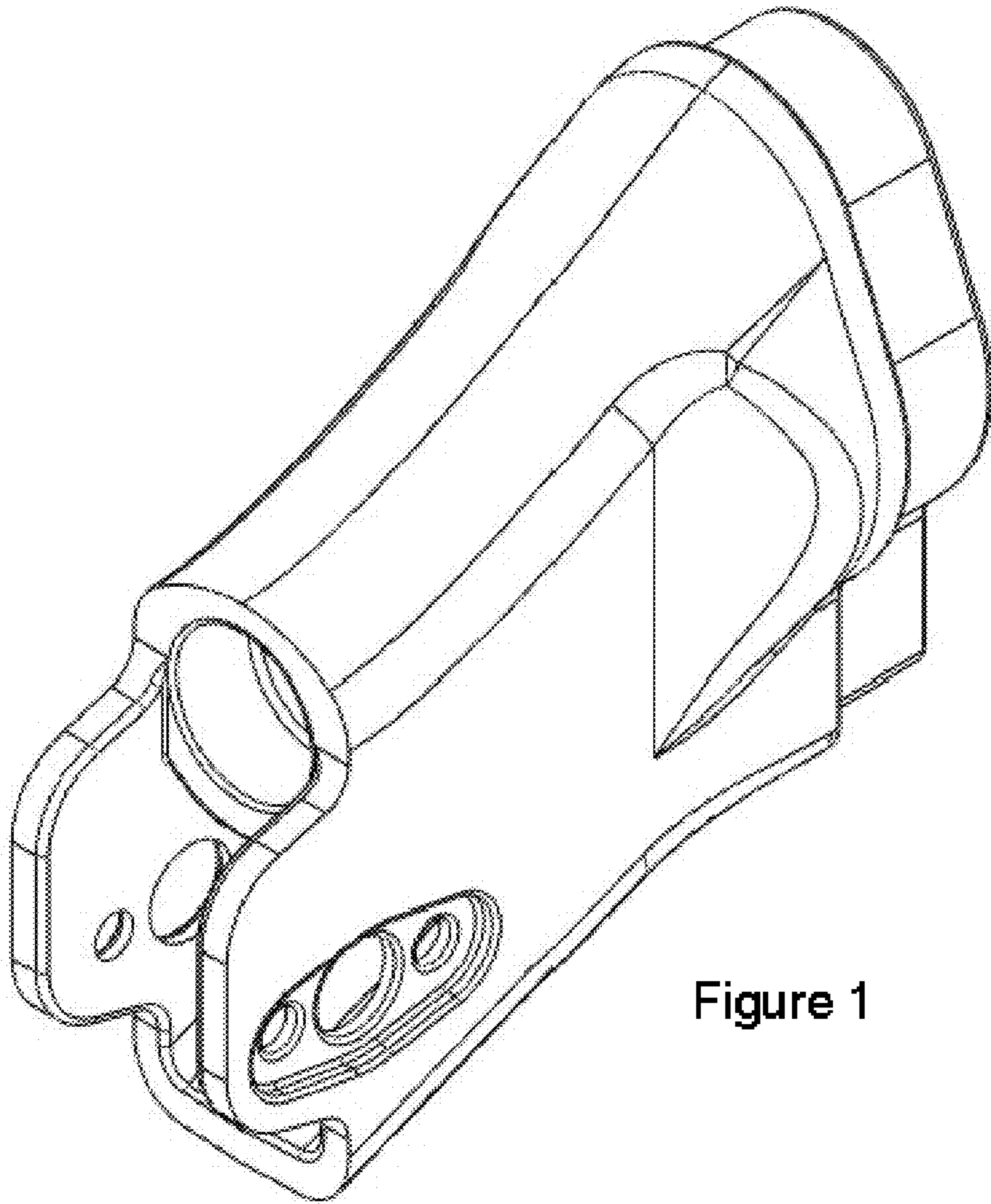


Figure 1

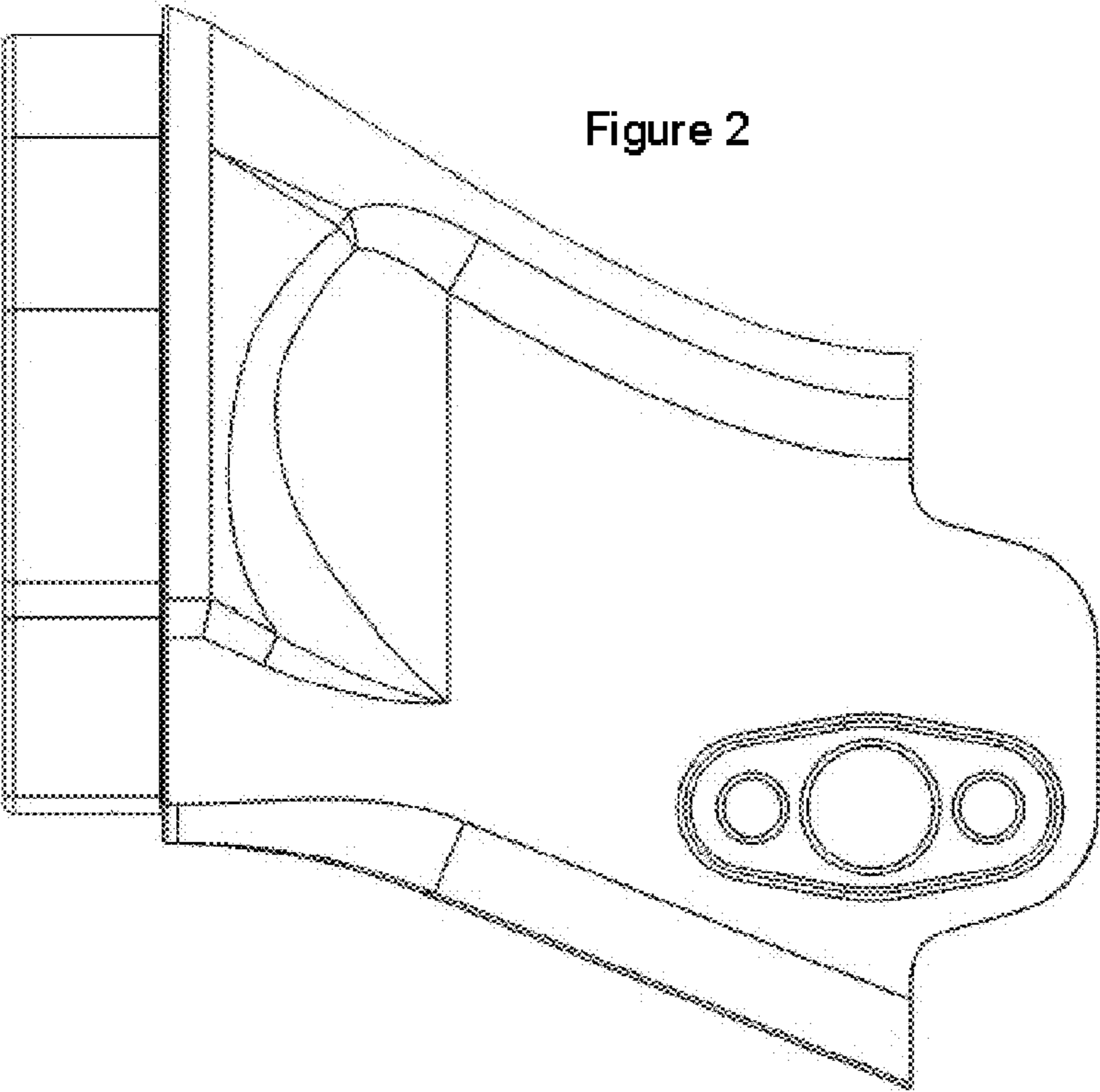


Figure 2

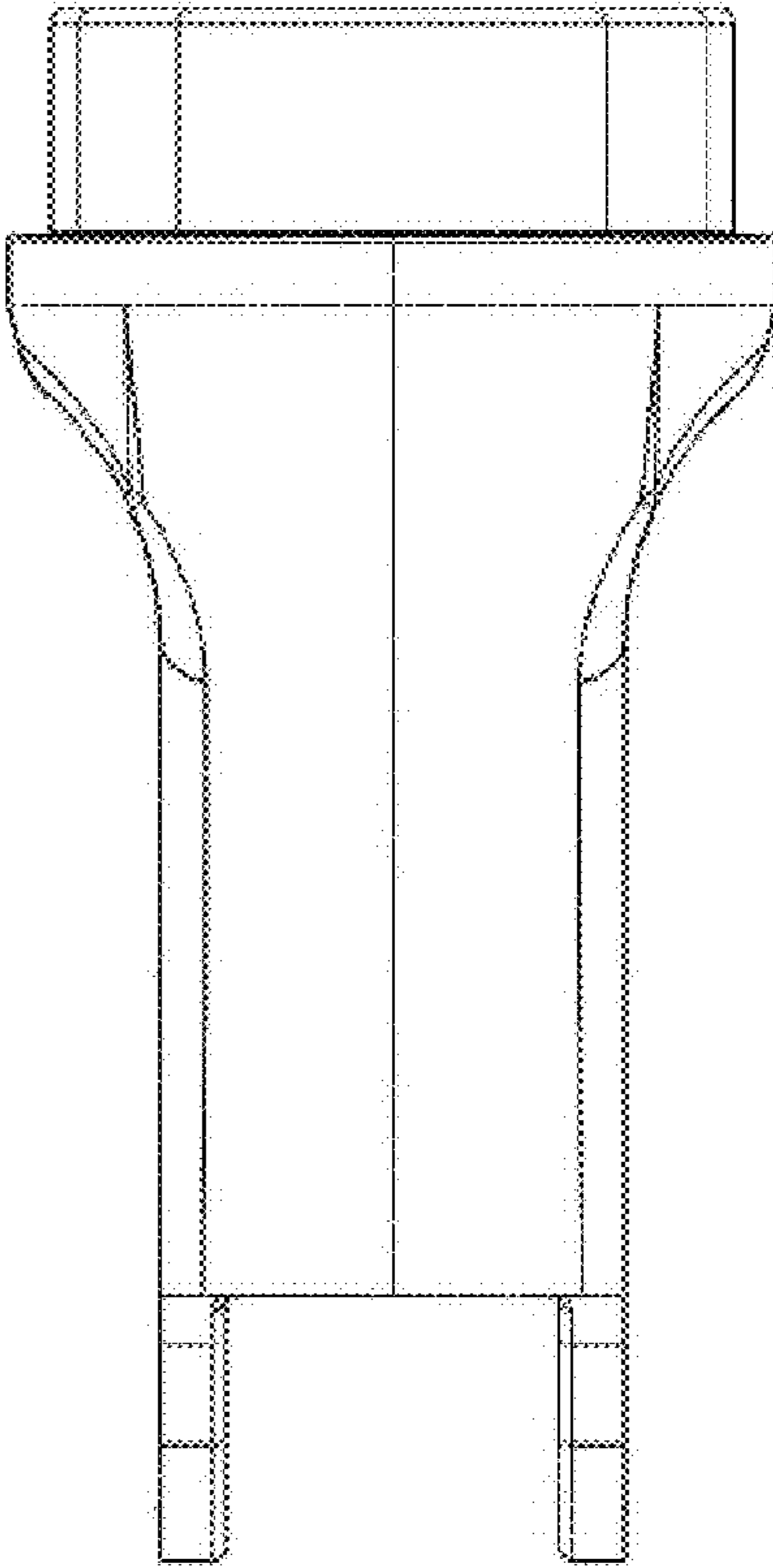
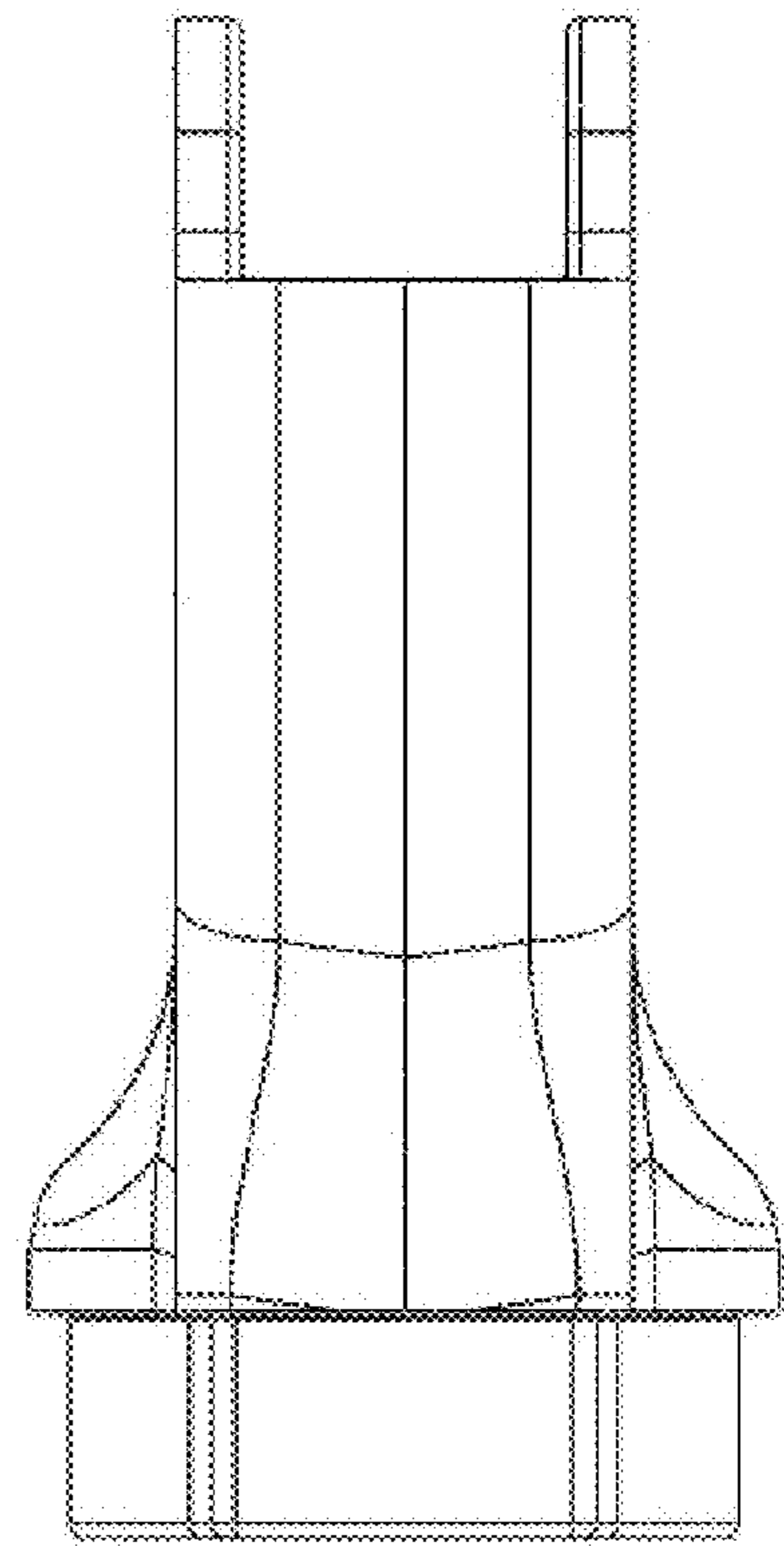
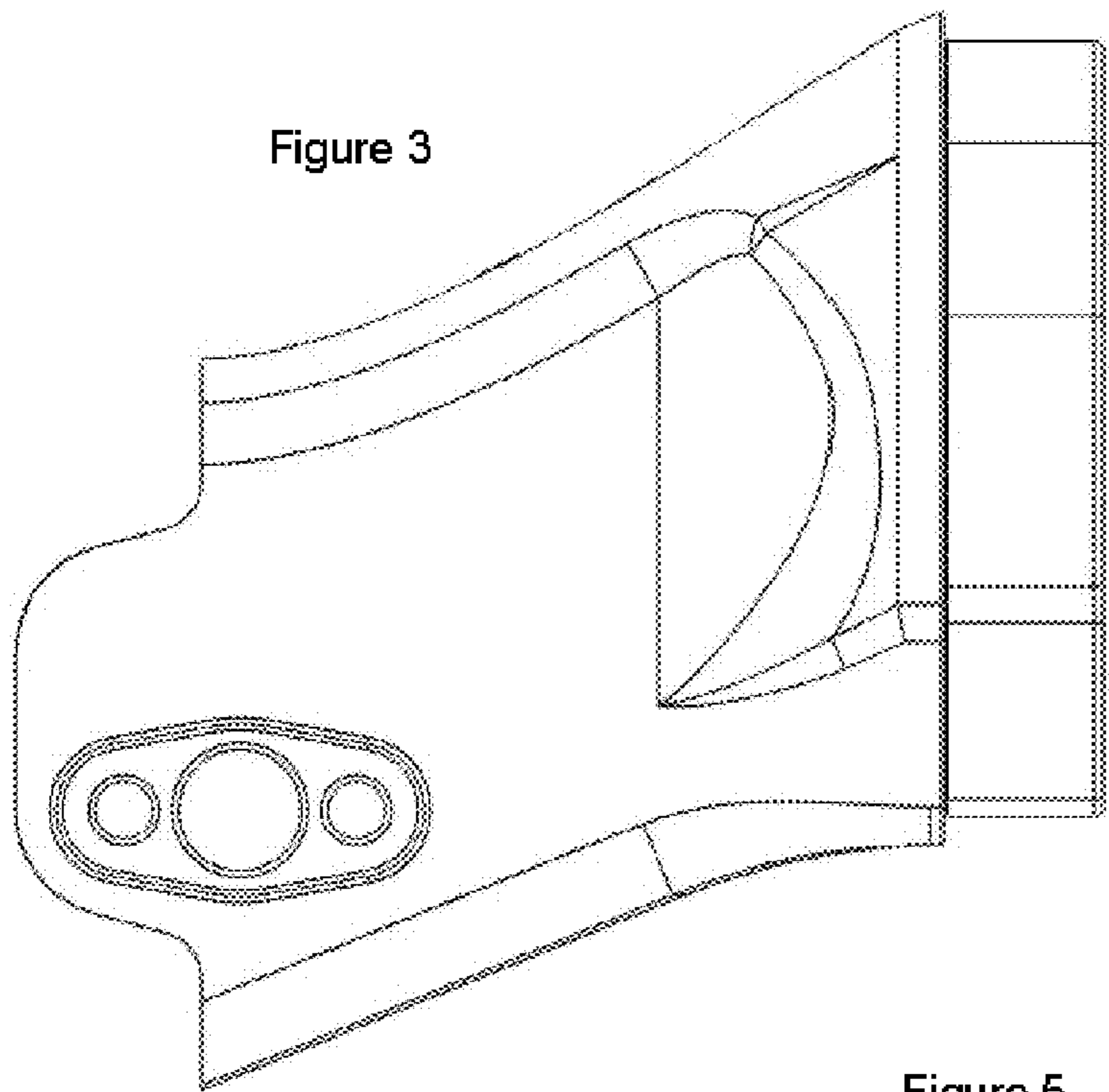


Figure 4



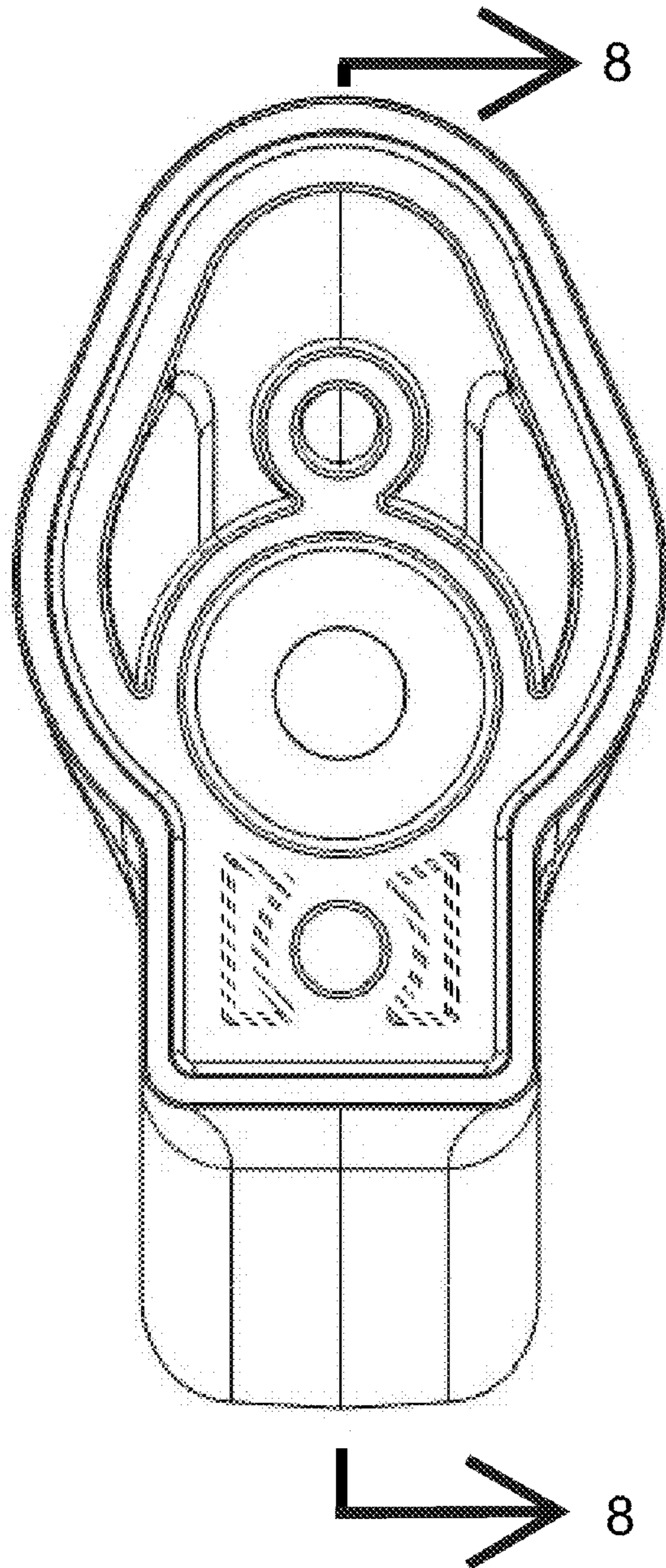


Figure 6

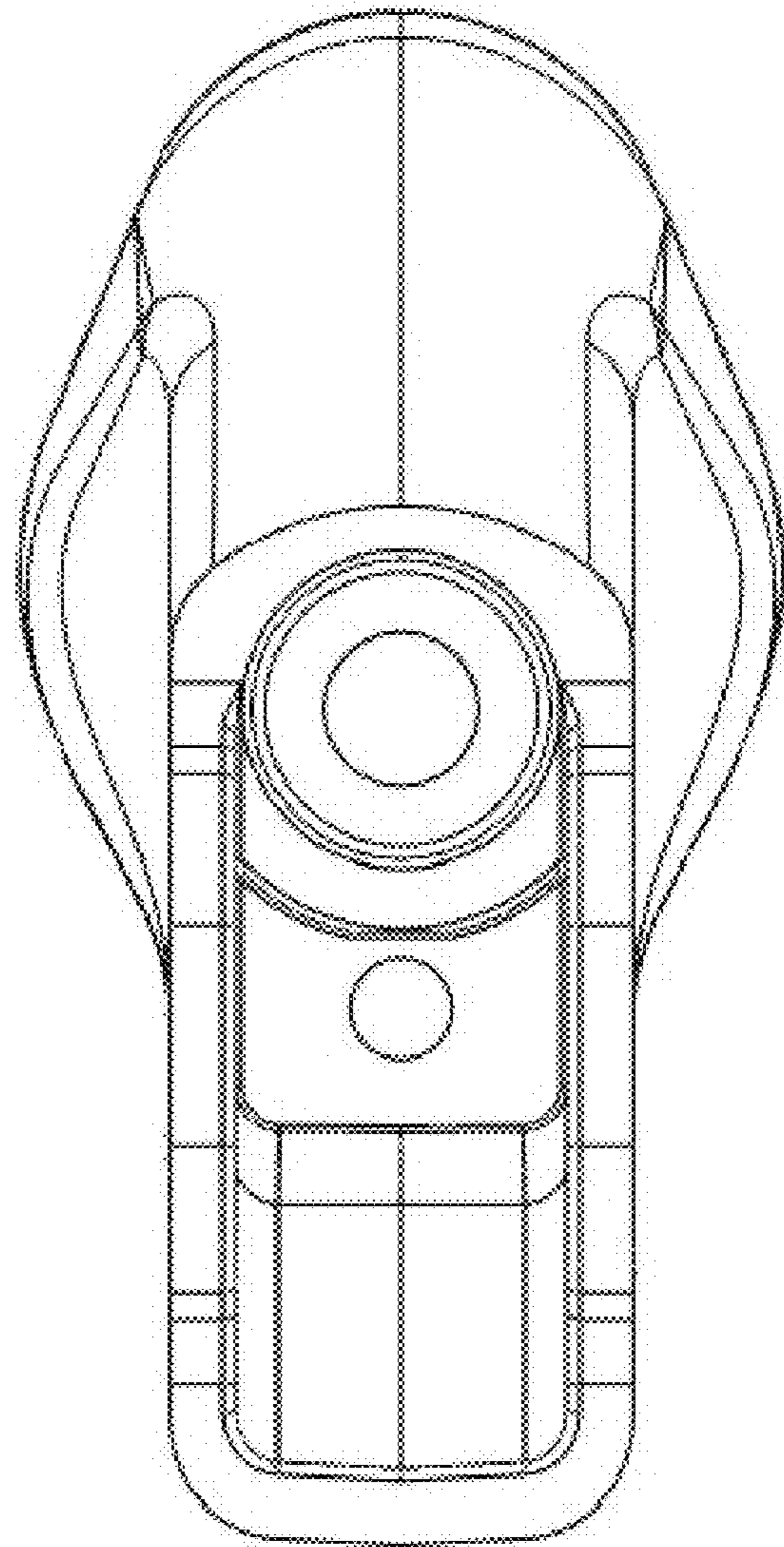


Figure 7

Figure 8

