



US00D600304S

(12) **United States Design Patent**
Fitzpatrick et al.

(10) **Patent No.:** **US D600,304 S**
(45) **Date of Patent:** **** Sep. 15, 2009**

(54) **STOCK ADAPTER FOR A RIFLE**

2003/0029070 A1* 2/2003 Dowding 42/75.03

(75) Inventors: **Richard M. Fitzpatrick**, Longmont, CO
(US); **Michael Mayberry**, Denver, CO
(US)

FOREIGN PATENT DOCUMENTS

WO WO 2005083349 A1 * 9/2005

* cited by examiner

(73) Assignee: **Magpul Industries Corp.**, Erie, CO
(US)

Primary Examiner—T. Chase Nelson
Assistant Examiner—Michael A Pratt

(74) *Attorney, Agent, or Firm*—Geoffrey E. Dobbin

(**) Term: **14 Years**

(21) Appl. No.: **29/302,215**

(57) **CLAIM**

(22) Filed: **Jan. 11, 2008**

An ornamental design for a stock adapter for a rifle, as shown and described.

(51) **LOC (9) Cl.** **22-01**

(52) **U.S. Cl.** **D22/109**

(58) **Field of Classification Search** D22/100,
D22/108, 109, 110, 199; 42/11, 72, 75.02,
42/71.01, 85, 90, 106, 114, 113, 116, 119,
42/124, 125, 127, 145, 128; 248/201, 205.1
See application file for complete search history.

DESCRIPTION

The adapter is a specialized connecting piece to attach a stock to a given rifle.

FIG. 1 is a perspective view of the stock adapter for a rifle.

FIG. 2 is a left plan view of the stock adapter for a rifle.

FIG. 3 is a right plan view of the stock adapter for rifle.

FIG. 4 is a front plan view of the stock adapter for a rifle.

FIG. 5 is a rear plan view of the stock adapter for a rifle.

FIG. 6 is a top plan view of the stock adapter for a rifle.

FIG. 7 is a bottom plan view of the stock adapter for a rifle; and,

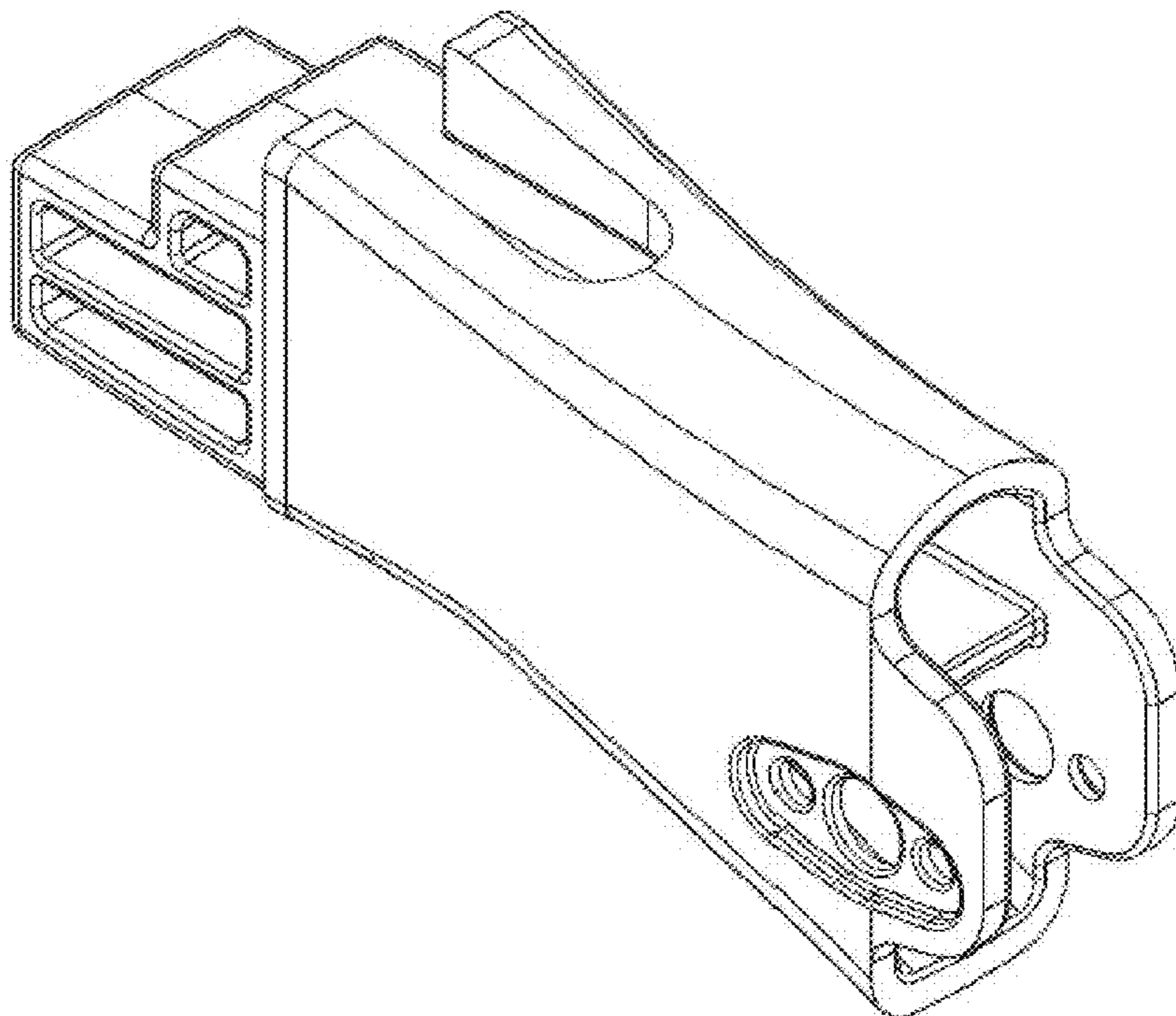
FIG. 8 is a cross-sectional view of the stock adapter taken at line 8—8 of FIG. 4.

(56) **References Cited**

U.S. PATENT DOCUMENTS

1,755,034	A *	4/1930	Stange	42/75.03
4,519,156	A *	5/1985	Shaw	42/77
5,173,564	A *	12/1992	Hammond, Jr.	42/75.03
6,374,528	B1 *	4/2002	Davis et al.	42/71.01
6,427,372	B1 *	8/2002	Howard et al.	42/71.01
6,591,533	B2 *	7/2003	Wygant	42/72
6,651,371	B2 *	11/2003	Fitzpatrick et al.	42/72
6,662,485	B2 *	12/2003	Kay	42/75.03

1 Claim, 3 Drawing Sheets



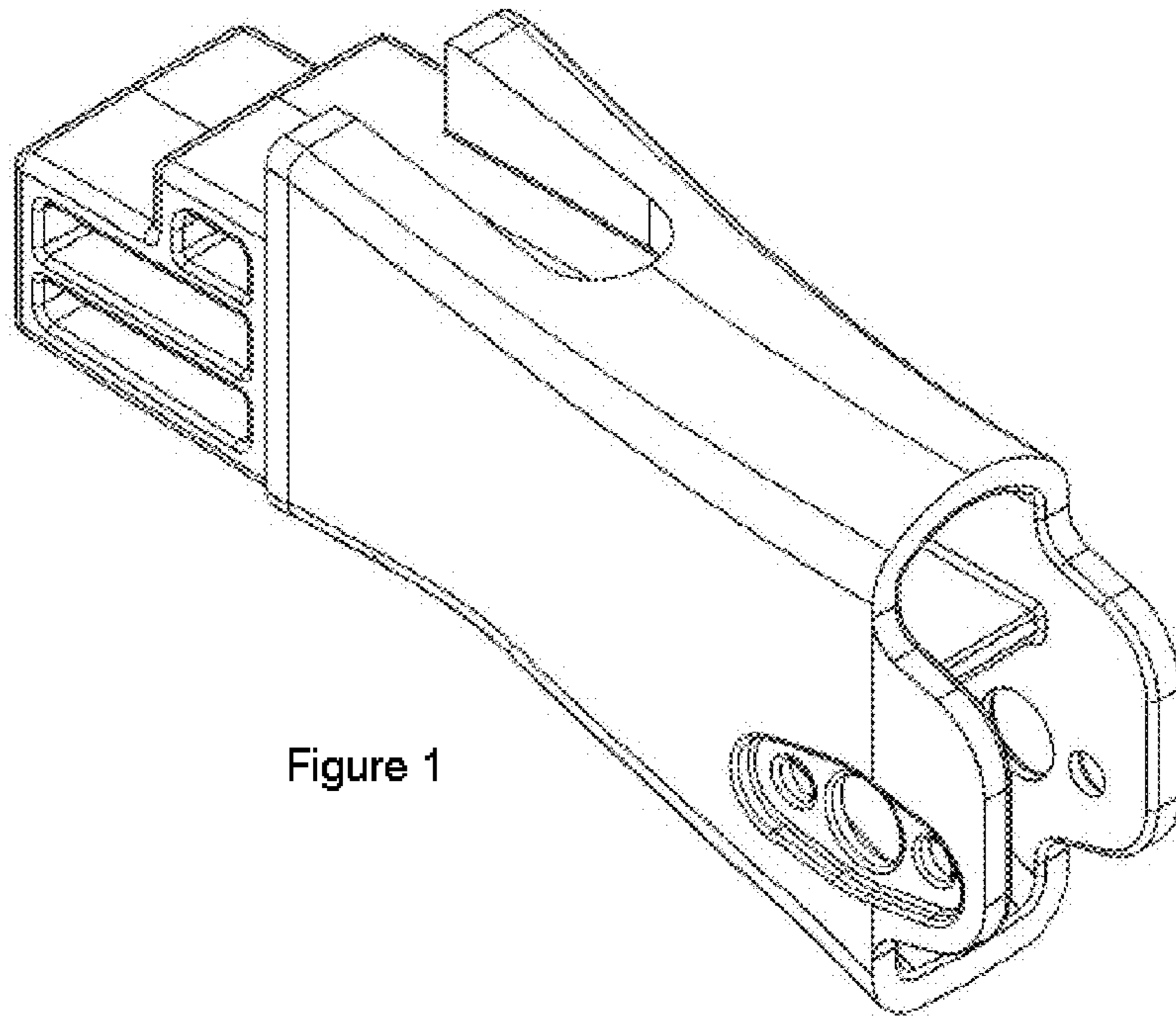


Figure 1

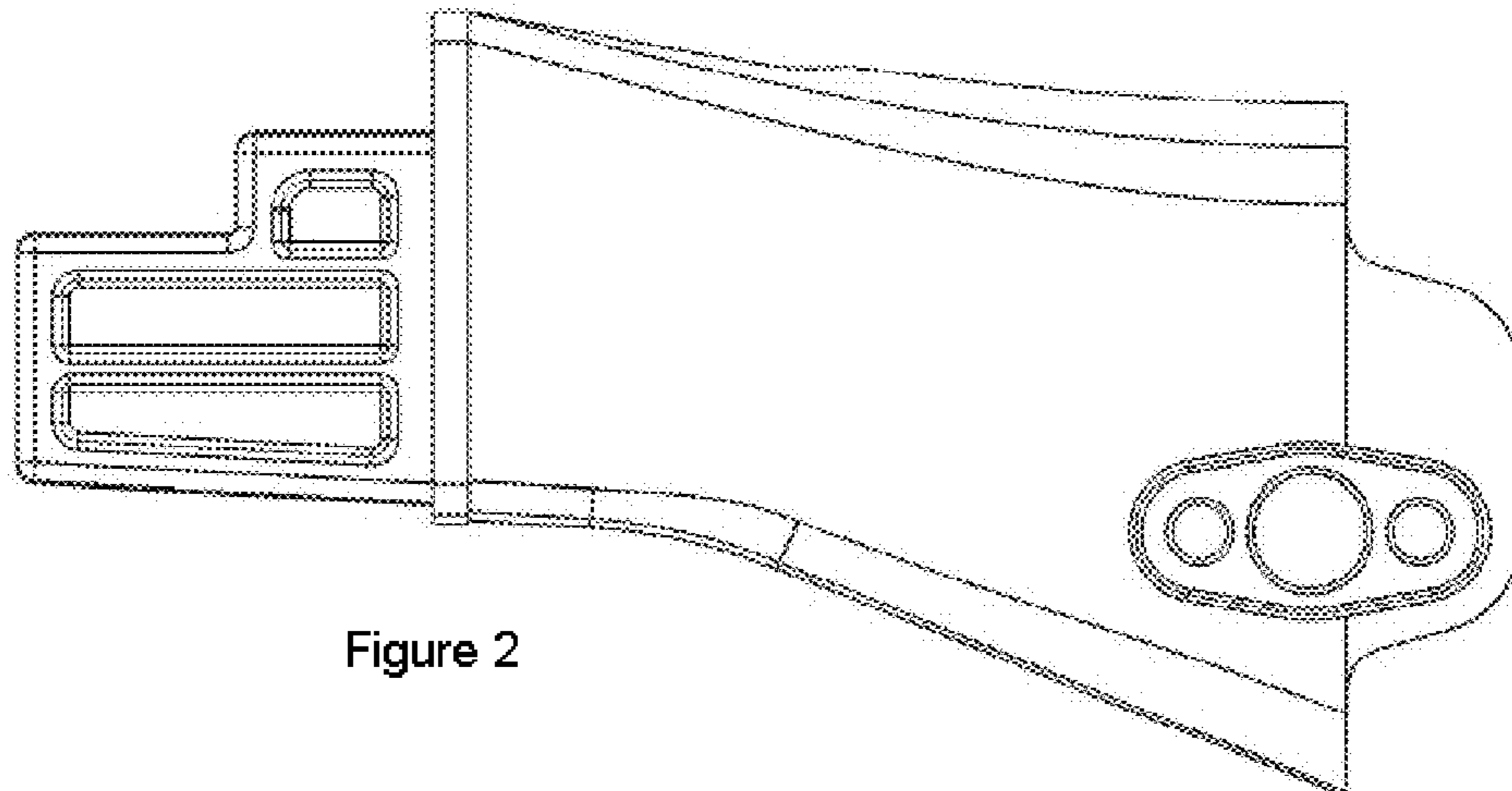


Figure 2

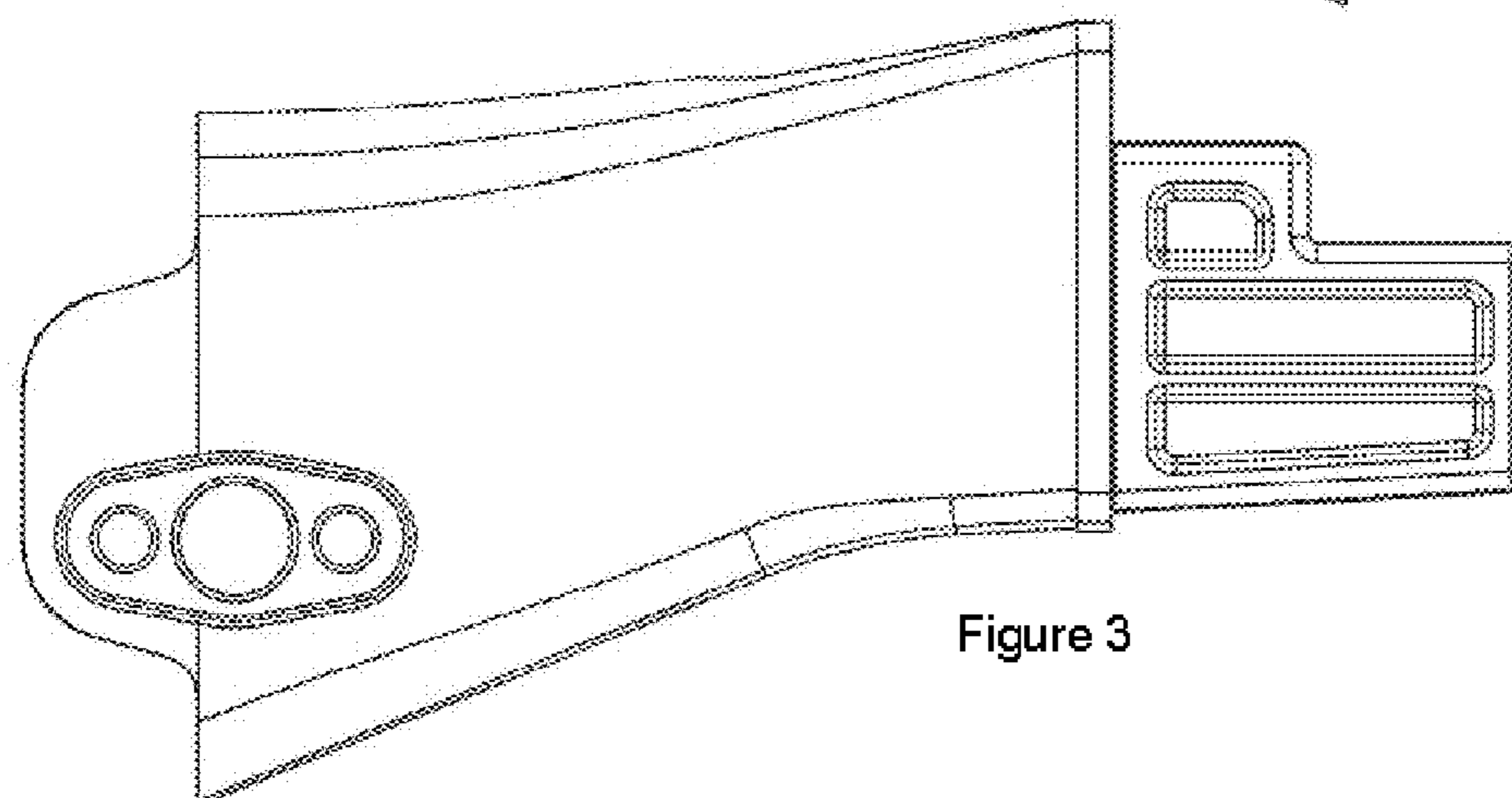


Figure 3

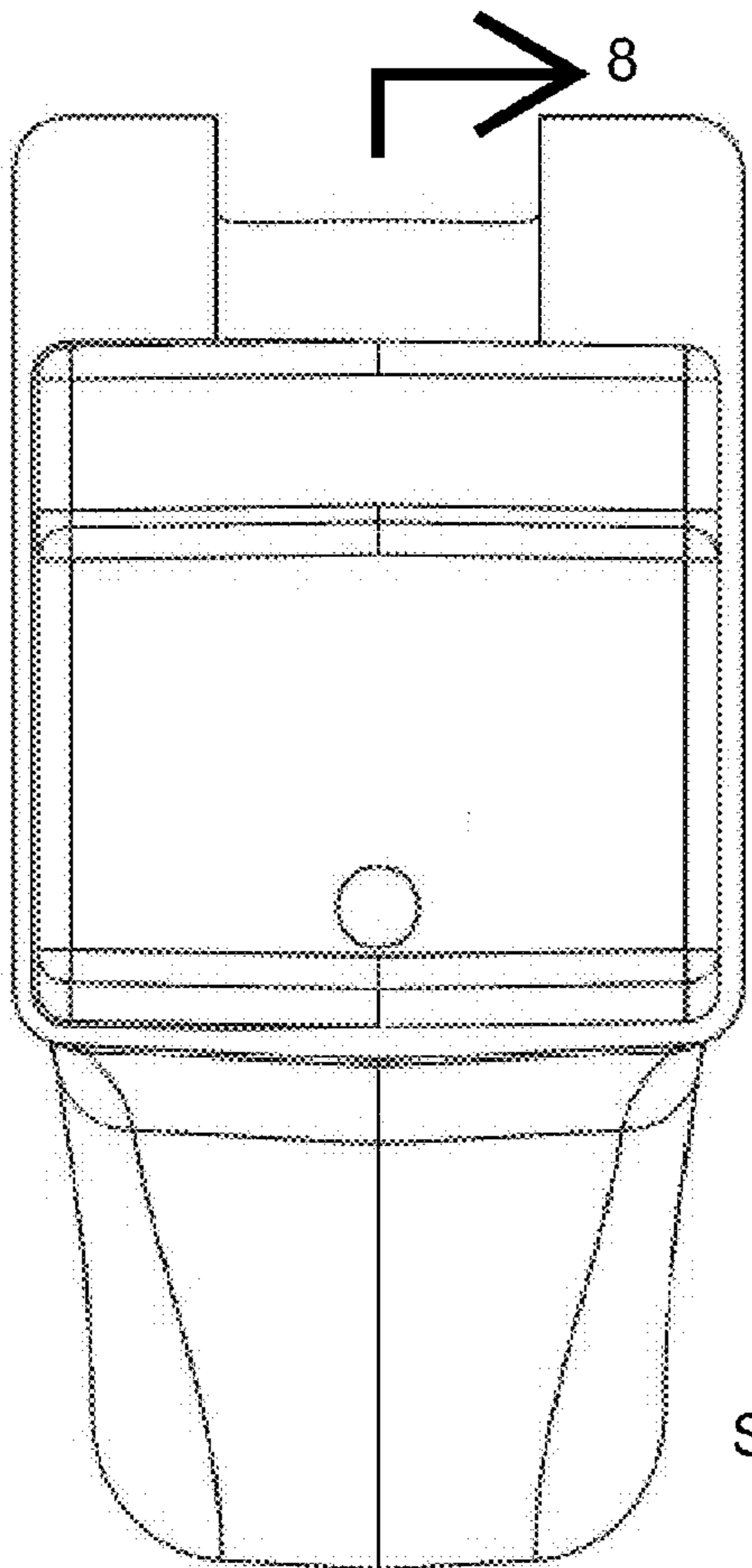


Figure 4

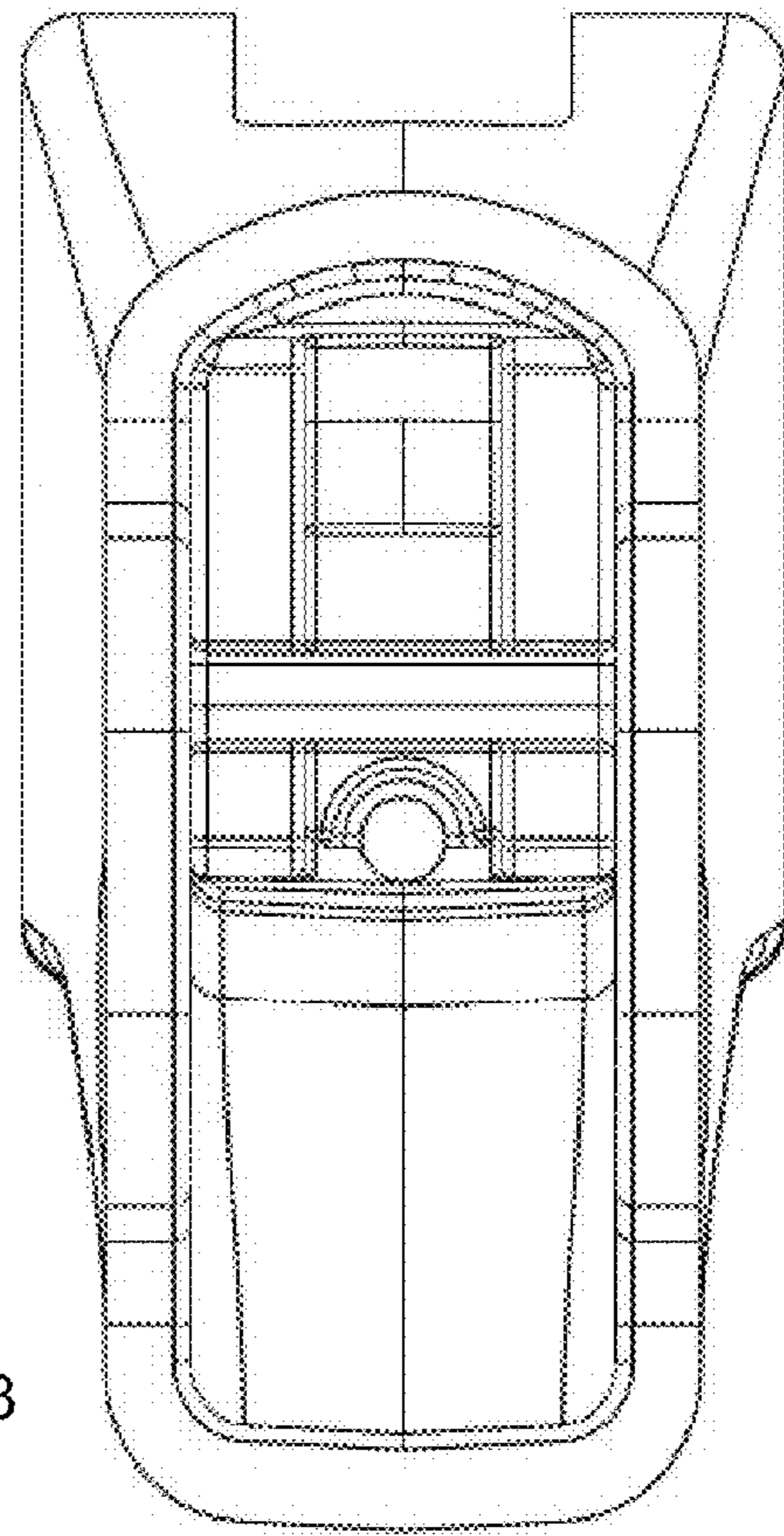


Figure 5

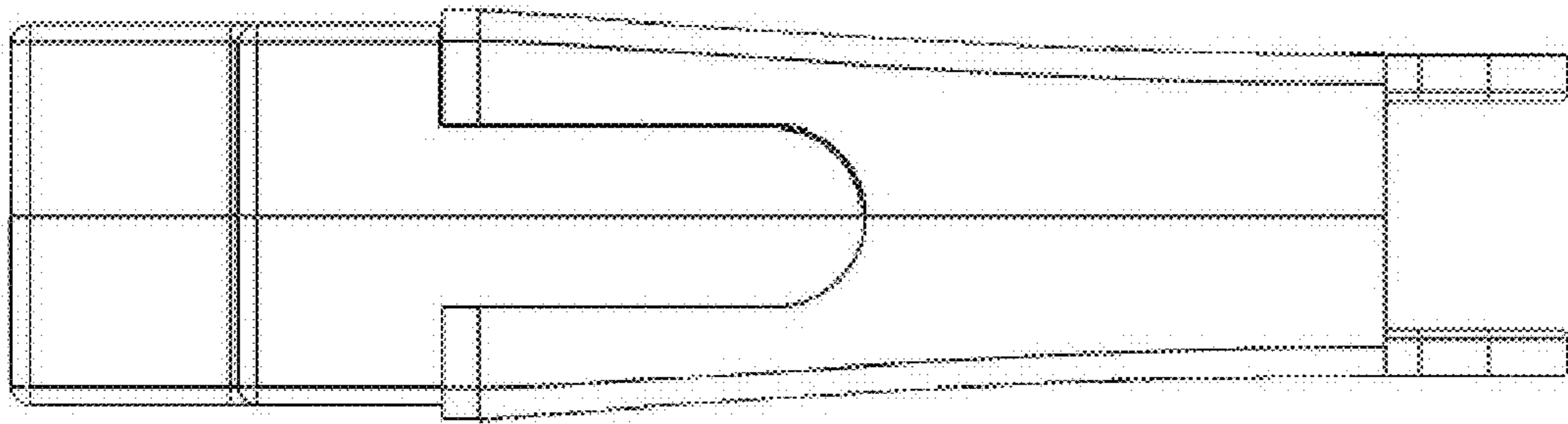


Figure 6

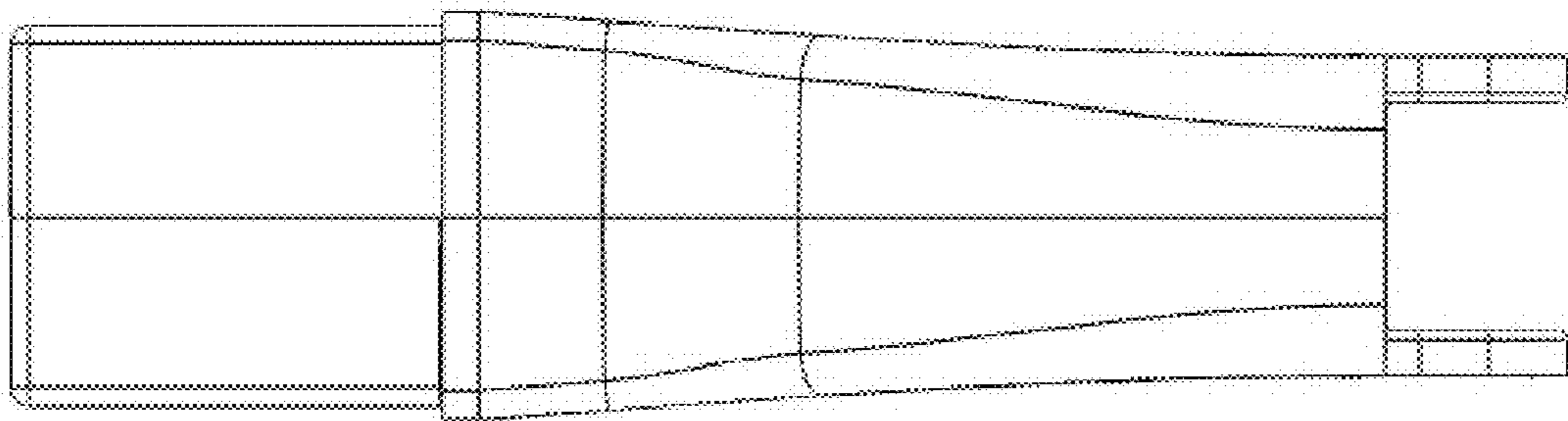


Figure 7

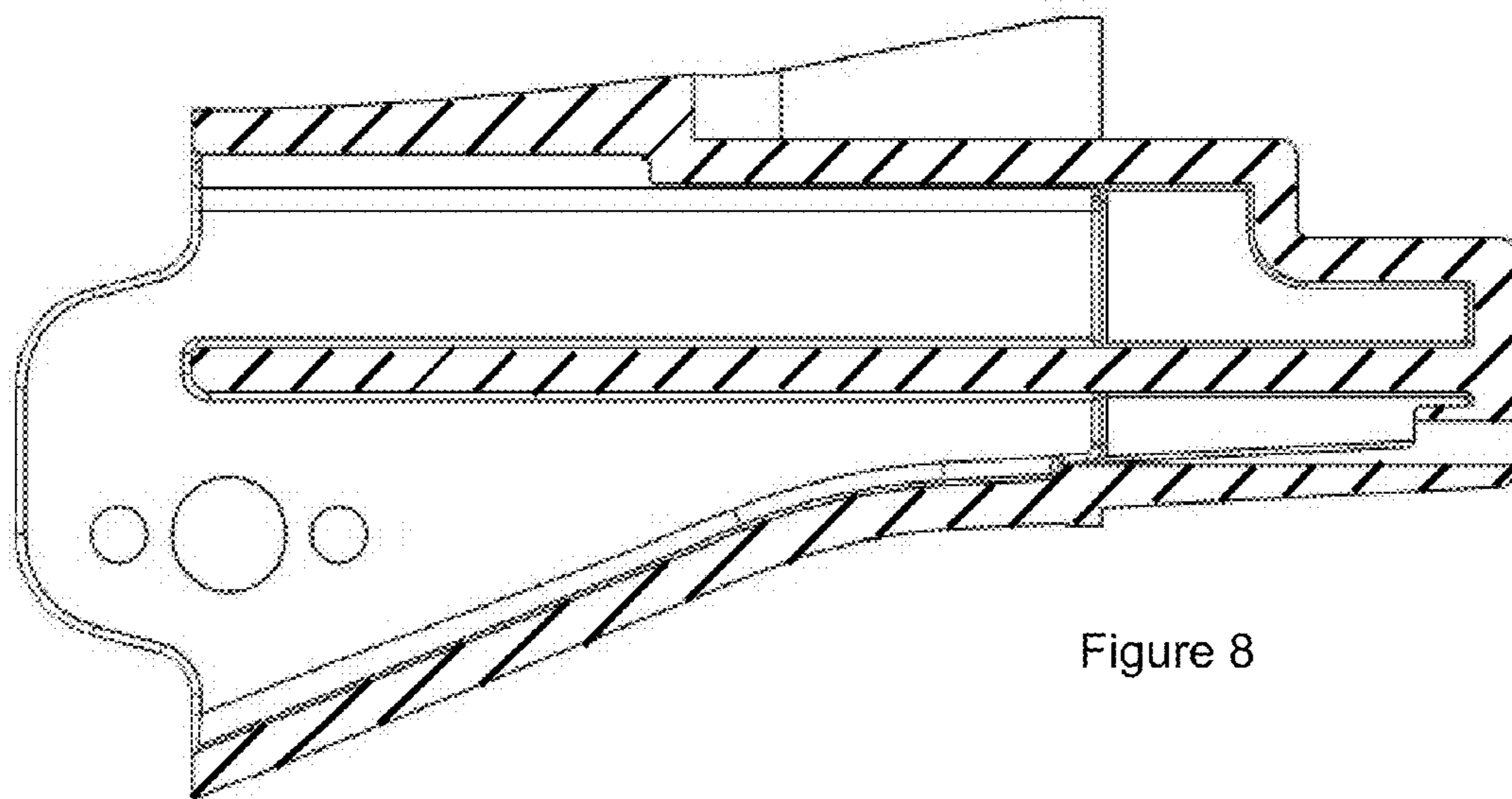


Figure 8