



US00D600302S

(12) **United States Design Patent**
Kelly

(10) **Patent No.:** **US D600,302 S**

(45) **Date of Patent:** **** Sep. 15, 2009**

(54) **FIELD HUNTER'S GUN PROP**

7,493,719 B2 * 2/2009 Lackey 42/94

(76) Inventor: **Brian F. Kelly**, P.O. Box 541, Sparks,
GA (US) 31647

* cited by examiner

Primary Examiner—T. Chase Nelson

Assistant Examiner—Michael A Pratt

(74) *Attorney, Agent, or Firm*—Brian D. Bellamy

(**) Term: **14 Years**

(21) Appl. No.: **29/296,520**

(57) **CLAIM**

(22) Filed: **Oct. 23, 2007**

The ornamental design for a field hunter's gun prop, as shown and described.

(51) **LOC (9) Cl.** **22-01**

(52) **U.S. Cl.** **D22/108**

(58) **Field of Classification Search** D22/100,
D22/108, 199; D8/1, 380, 381; D6/417,
D6/552; 42/94; 89/37.04; 211/64, 89; 248/872,
248/156, 530

DESCRIPTION

FIG. 1 is a top front perspective view of a field hunter's gun prop showing my new design;

FIG. 2 is a front elevational view thereof;

FIG. 3 is a rear elevational view thereof;

FIG. 4 is a left side elevational view, the right side being symmetrical thereof;

FIG. 5 is an enlarged top plan view thereof; and,

FIG. 6 is an enlarged bottom plan view thereof.

The broken line showing of a rifle and ground plane depicted in FIG. 1 is included for the purpose of illustrating environment and forms no part of the claimed design.

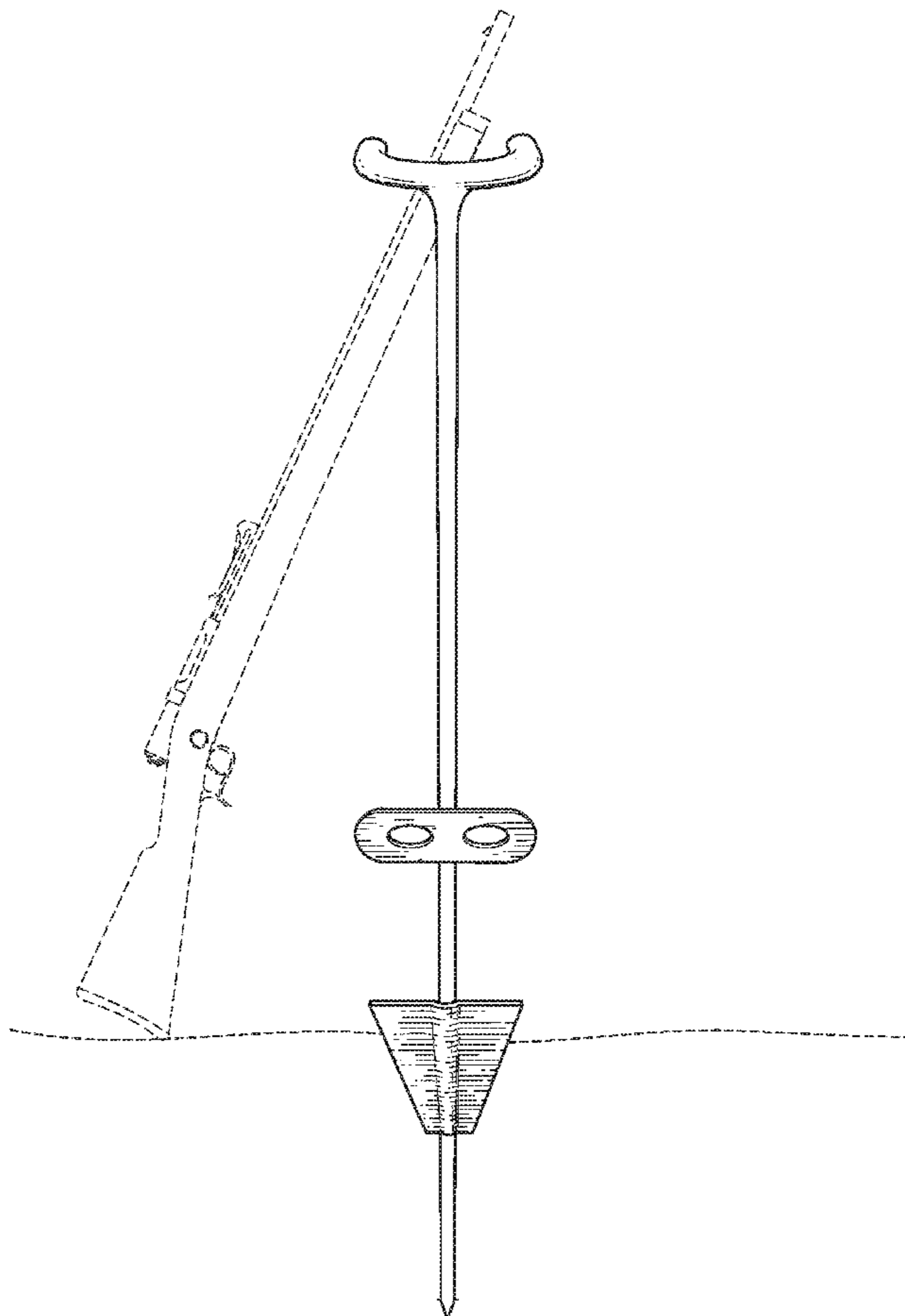
See application file for complete search history.

(56) **References Cited**

U.S. PATENT DOCUMENTS

3,007,581	A	11/1961	Moore	
3,876,078	A	4/1975	Gomes et al.	
3,952,878	A	4/1976	Gorham	
4,144,971	A	3/1979	Balibrea	
4,575,964	A *	3/1986	Griffin	42/94
4,676,021	A *	6/1987	Groba	42/94
D382,035	S *	8/1997	Swicegood	D22/108

1 Claim, 3 Drawing Sheets



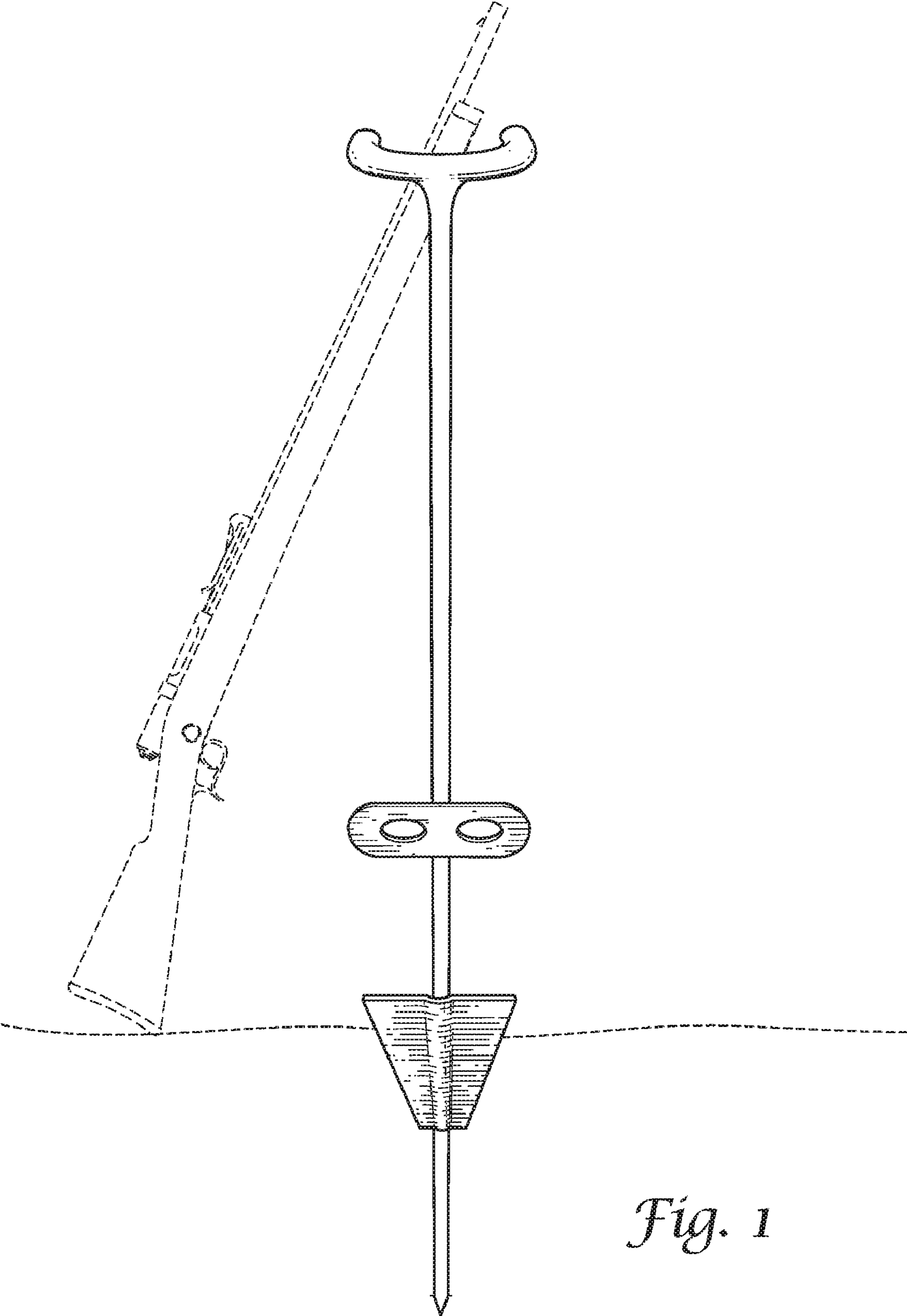


Fig. 1

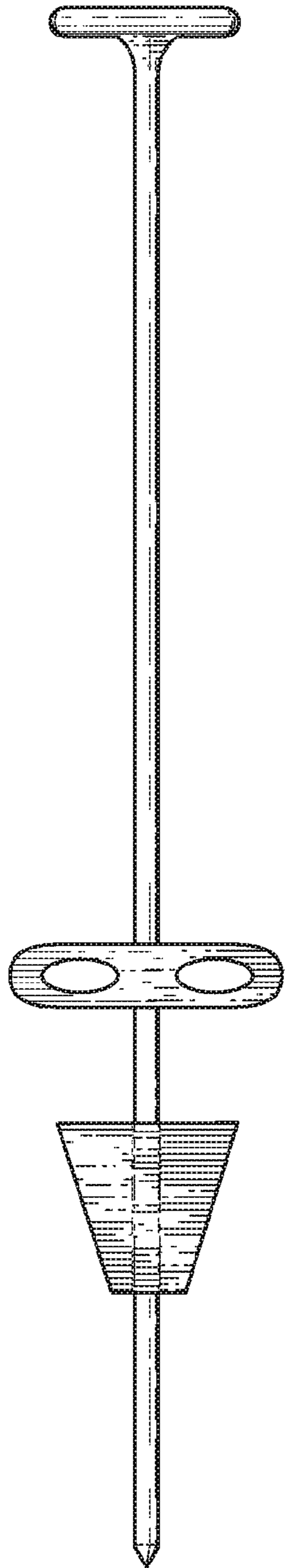


Fig. 2

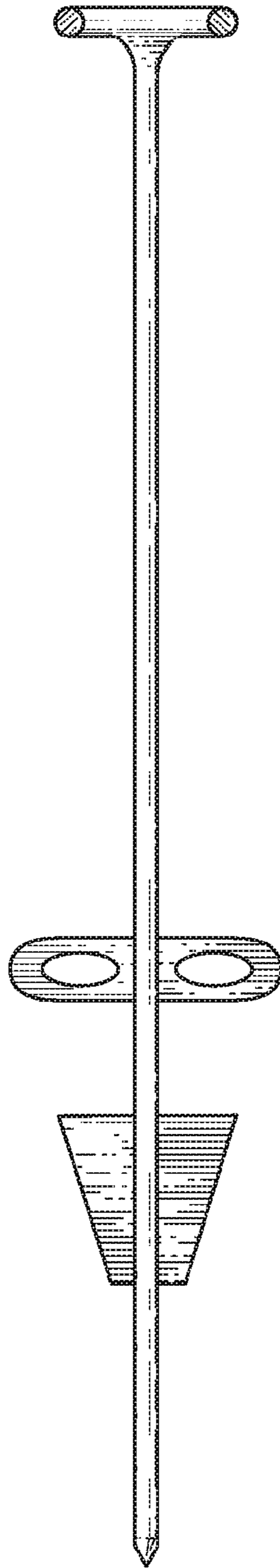


Fig. 3

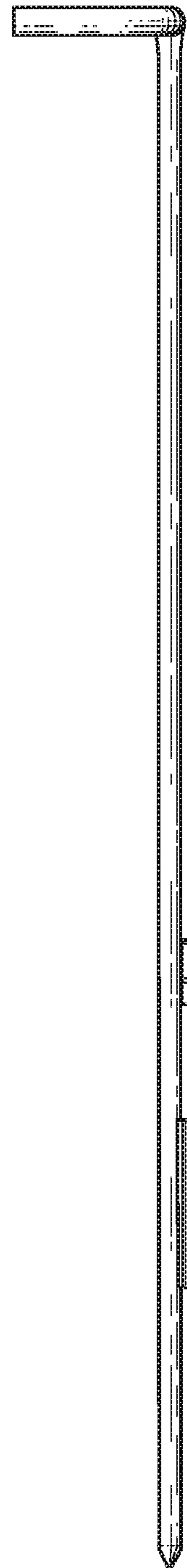


Fig. 4

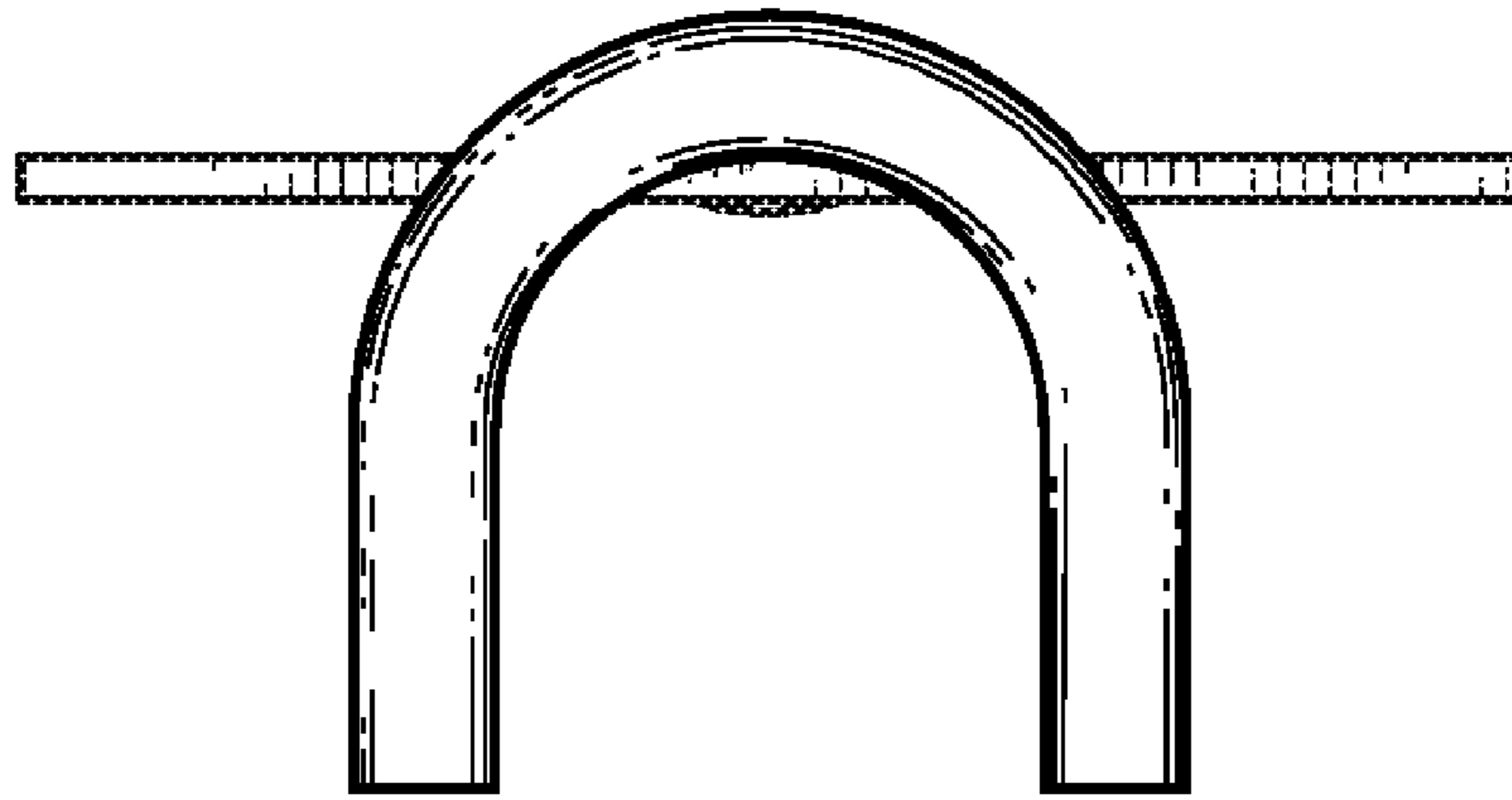


Fig. 5

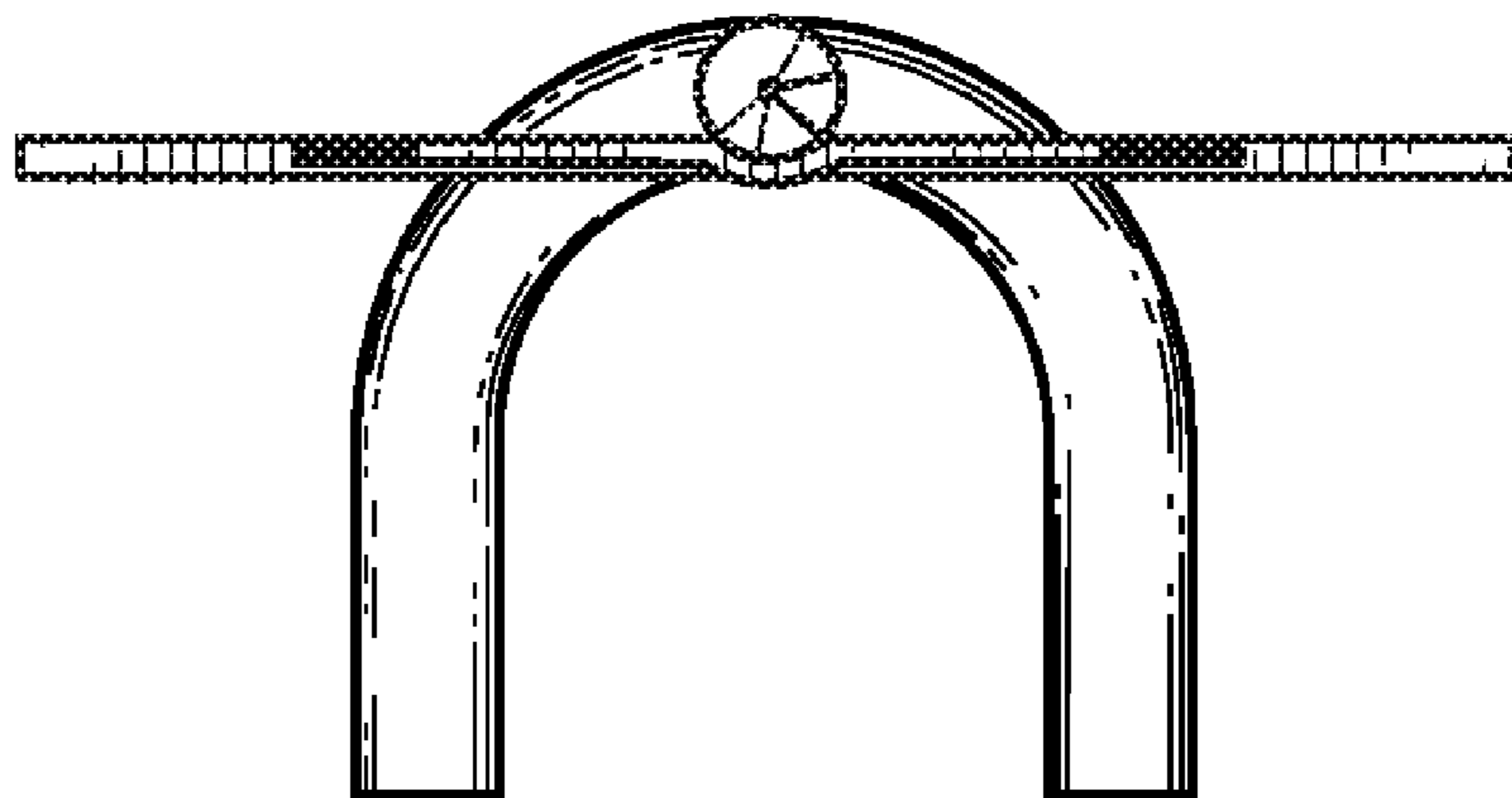


Fig. 6