



(12) **United States Design Patent**
Hanley

(10) **Patent No.:** **US D600,299 S**
(45) **Date of Patent:** **** Sep. 15, 2009**

(54) **GOLF PUTTING PRACTICE DEVICE**

D481,092 S * 10/2003 Ray D21/791
D519,181 S * 4/2006 Jones D21/791

(76) Inventor: **Martin G Hanley**, 1307 Eagles Way Ct.,
St. Louis, MO (US) 63042

* cited by examiner

(**) Term: **14 Years**

Primary Examiner—Mitchell I Siegel
(74) *Attorney, Agent, or Firm*—Polster, Lieder, Woodruff &
Lucchesi, L.C.

(21) Appl. No.: **29/318,153**

(22) Filed: **May 14, 2008**

(57) **CLAIM**

(51) **LOC (9) Cl.** **21-02**

The ornamental design for a golf putting practice device, as
shown and described.

(52) **U.S. Cl.** **D21/791**

(58) **Field of Classification Search** D21/789,
D21/791; 473/161–163, 133, 137, 183, 184,
473/236, 265

DESCRIPTION

See application file for complete search history.

FIG. 1 is a perspective view of a putting practice device of the
present invention;

(56) **References Cited**

U.S. PATENT DOCUMENTS

D206,333 S * 11/1966 Portteus D21/790
5,301,947 A * 4/1994 Kim 473/153
5,501,462 A * 3/1996 Shih 473/163
5,595,543 A * 1/1997 Wolk 473/162
D418,891 S * 1/2000 Sirak D21/791
D431,855 S * 10/2000 Rose D21/791
D470,906 S * 2/2003 Shaw D21/791

FIG. 2 is a front elevation view of the device;

FIG. 3 is a rear elevation view of the device;

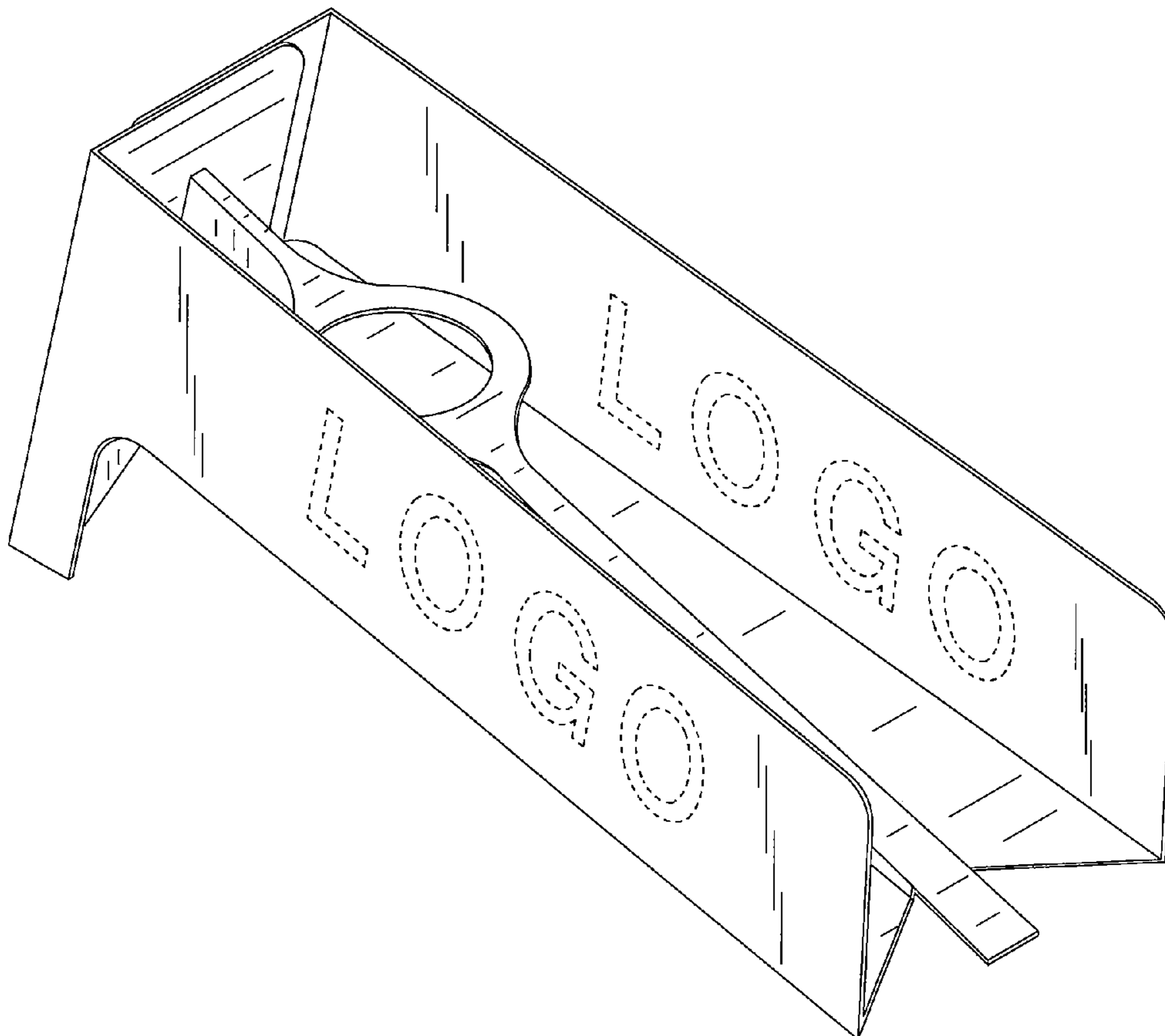
FIG. 4 is a left side elevational view of the device;

FIG. 5 is a right side elevational view of the device;

FIG. 6 is a top plan view of the device; and,

FIG. 7 is a bottom plan view of the device.

1 Claim, 3 Drawing Sheets



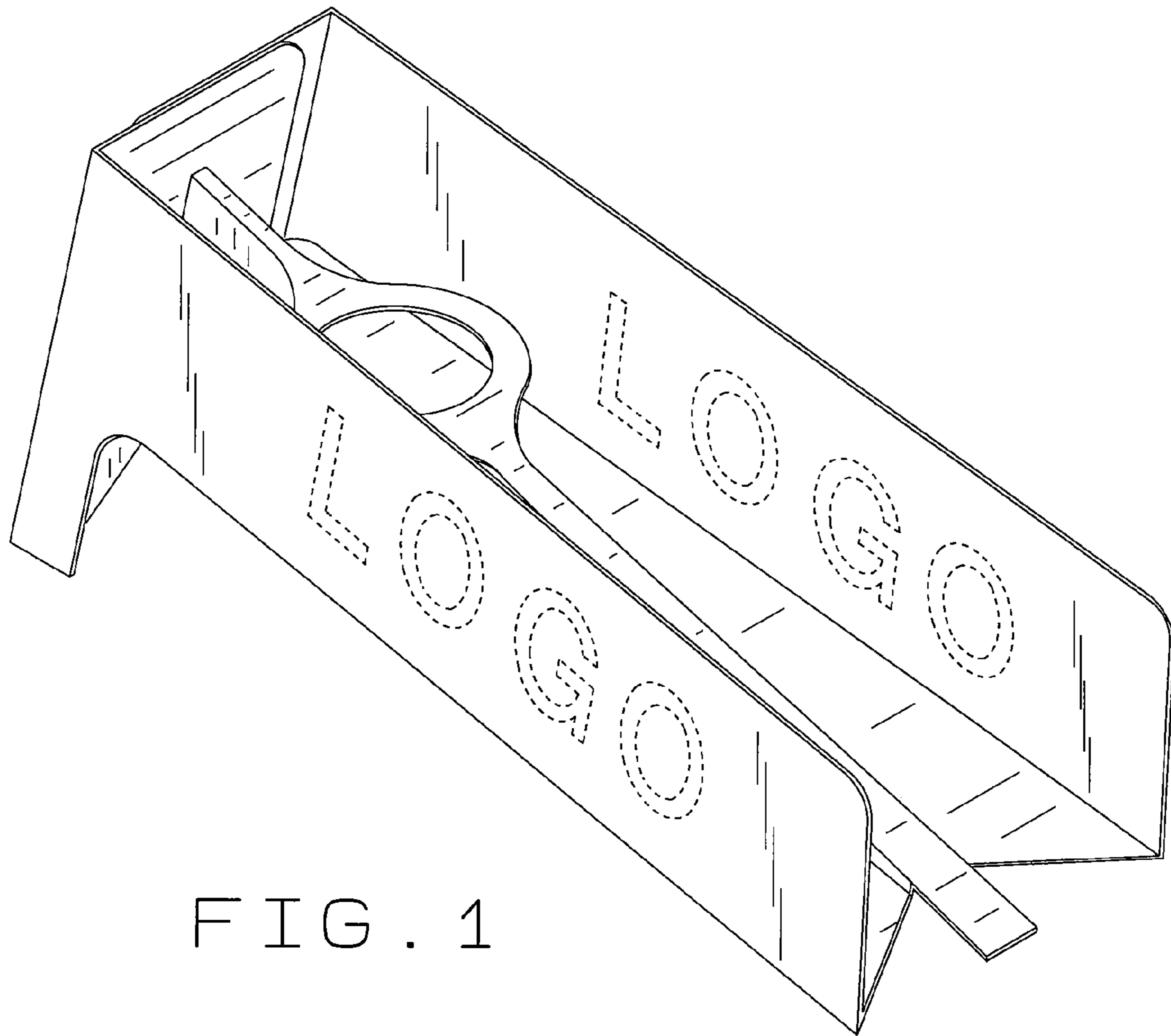


FIG. 1

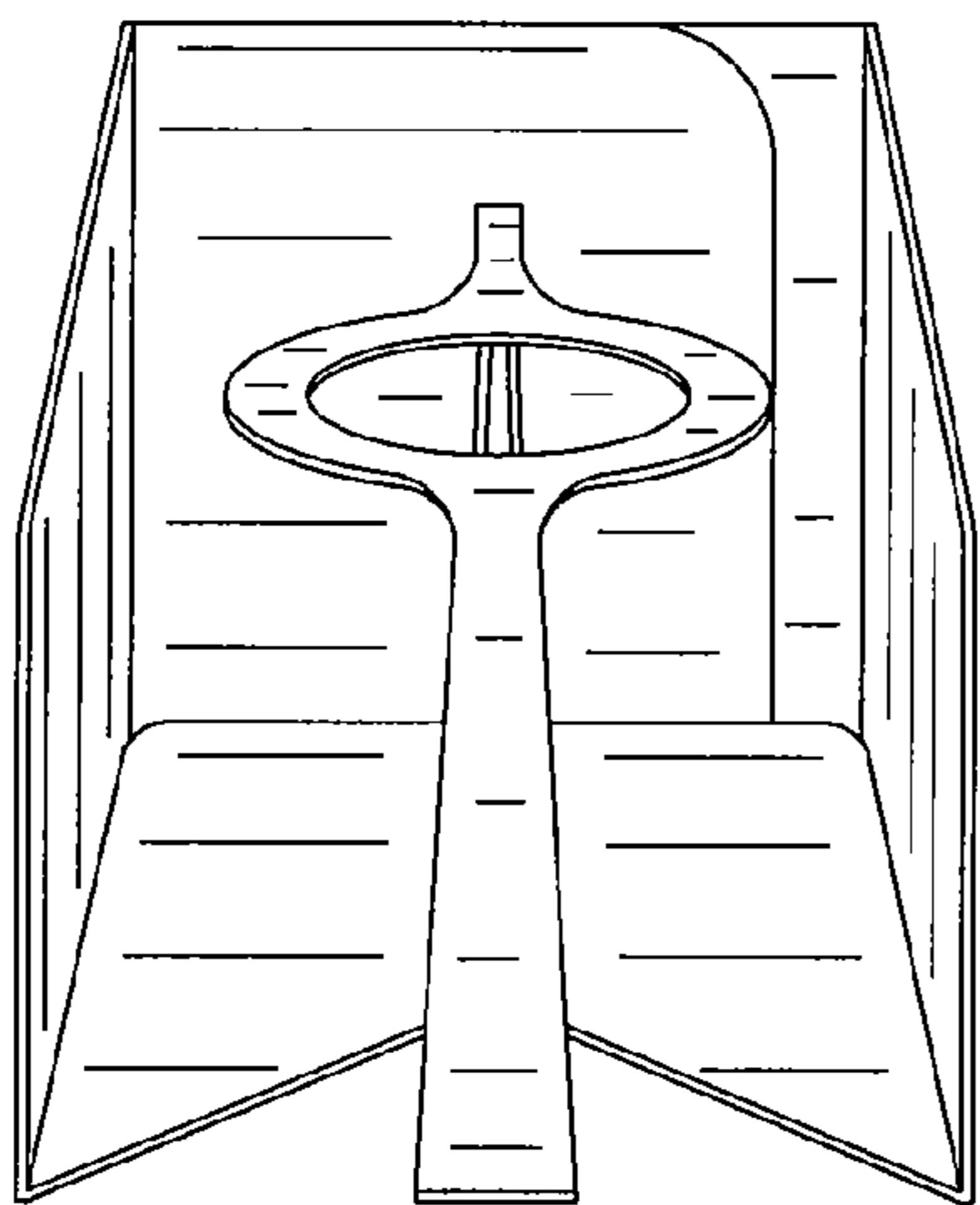


FIG. 2

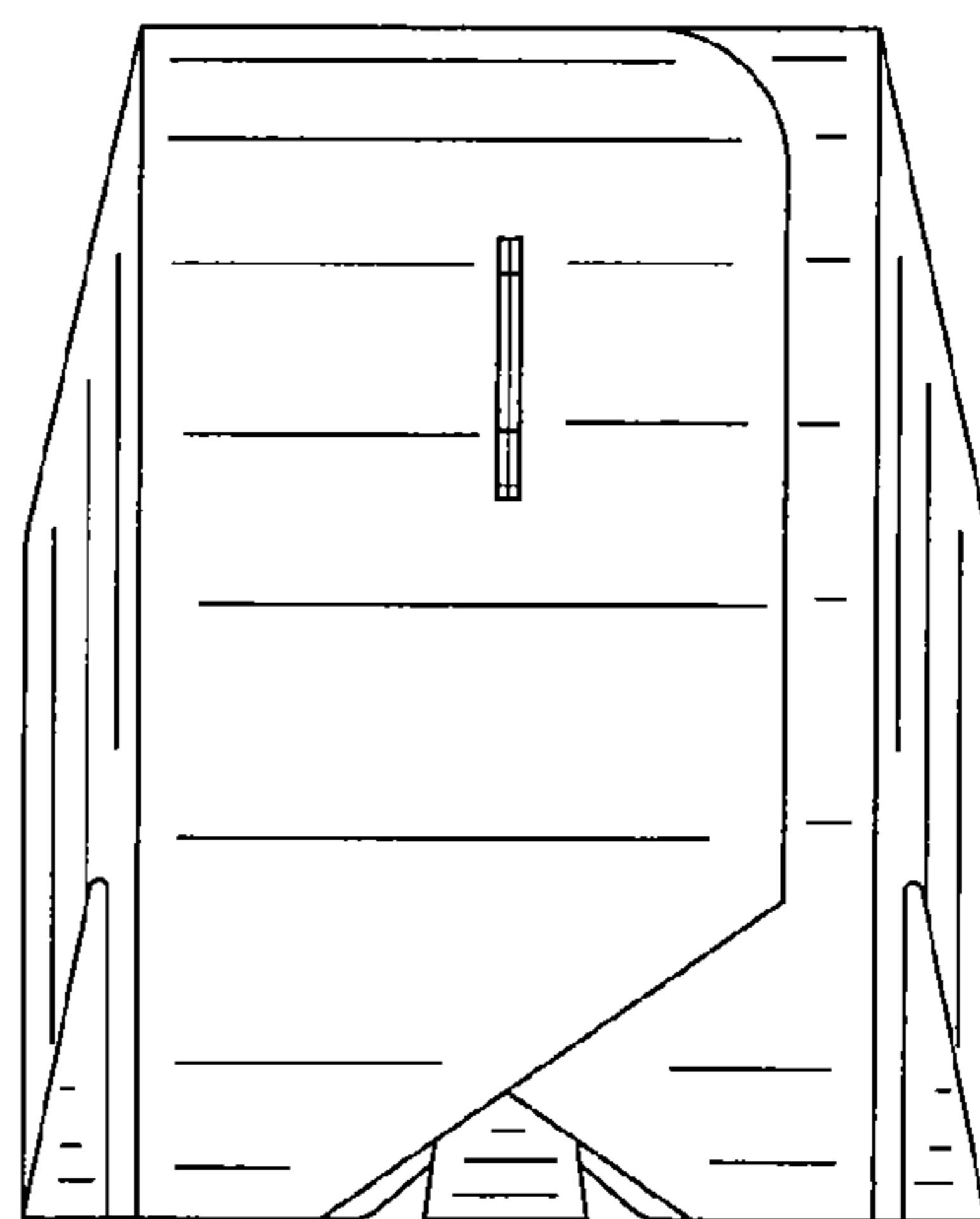


FIG. 3

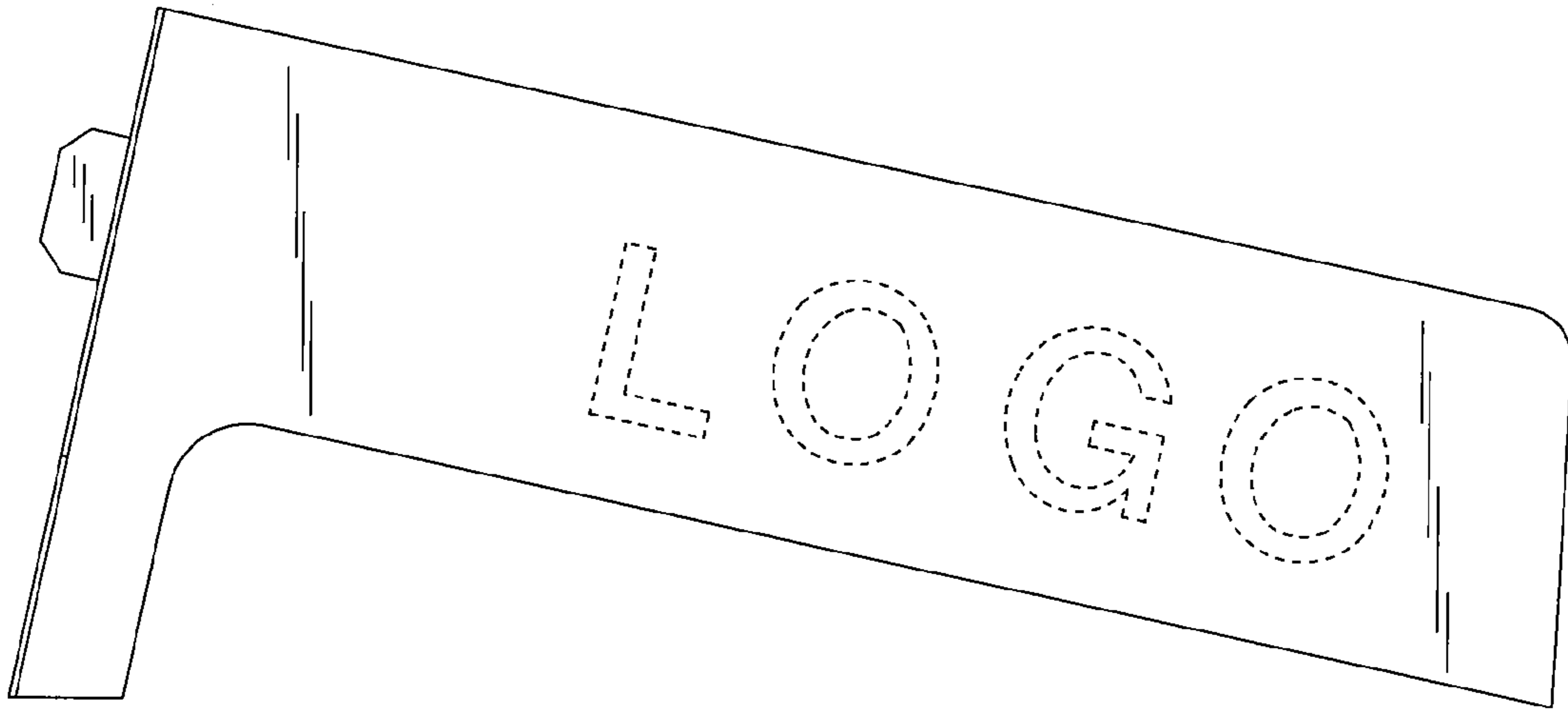


FIG. 4

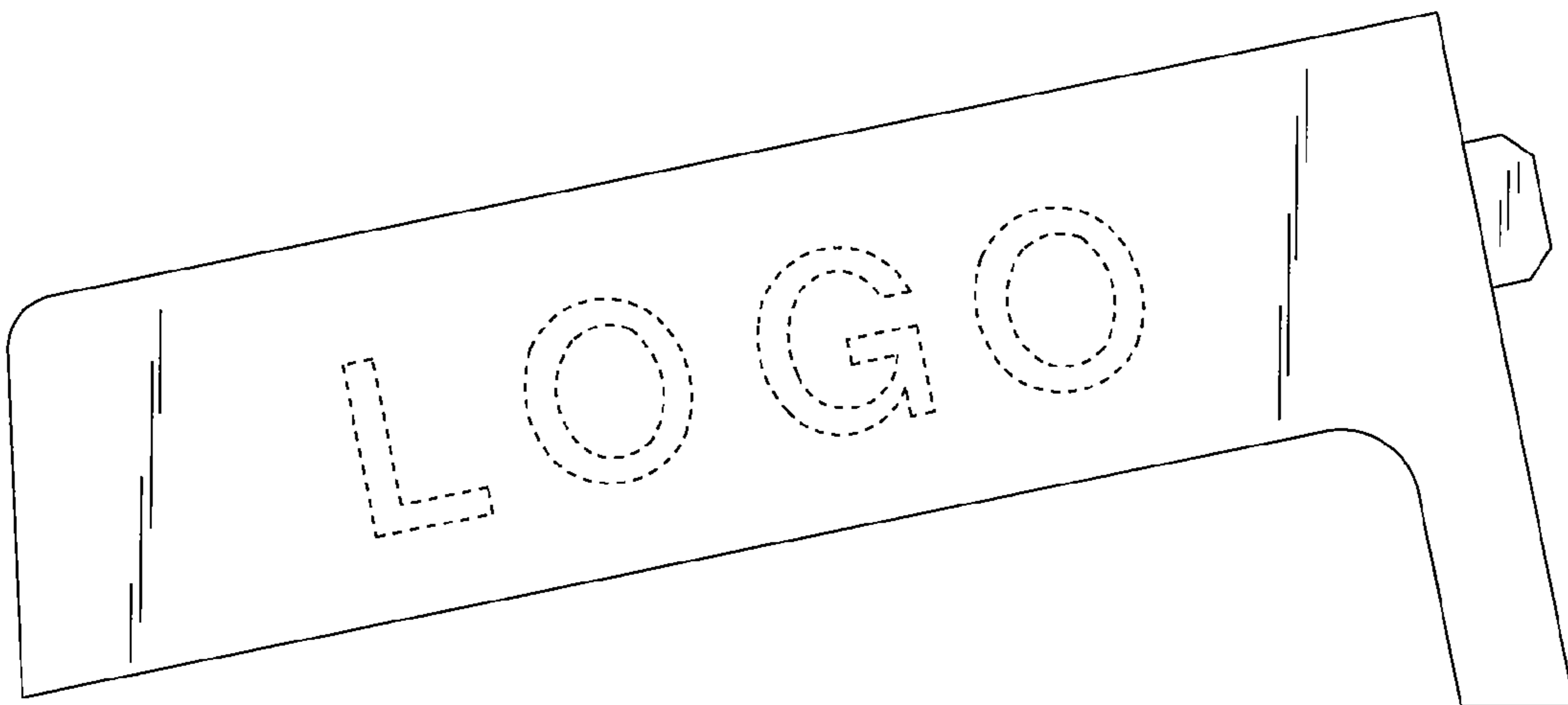


FIG. 5

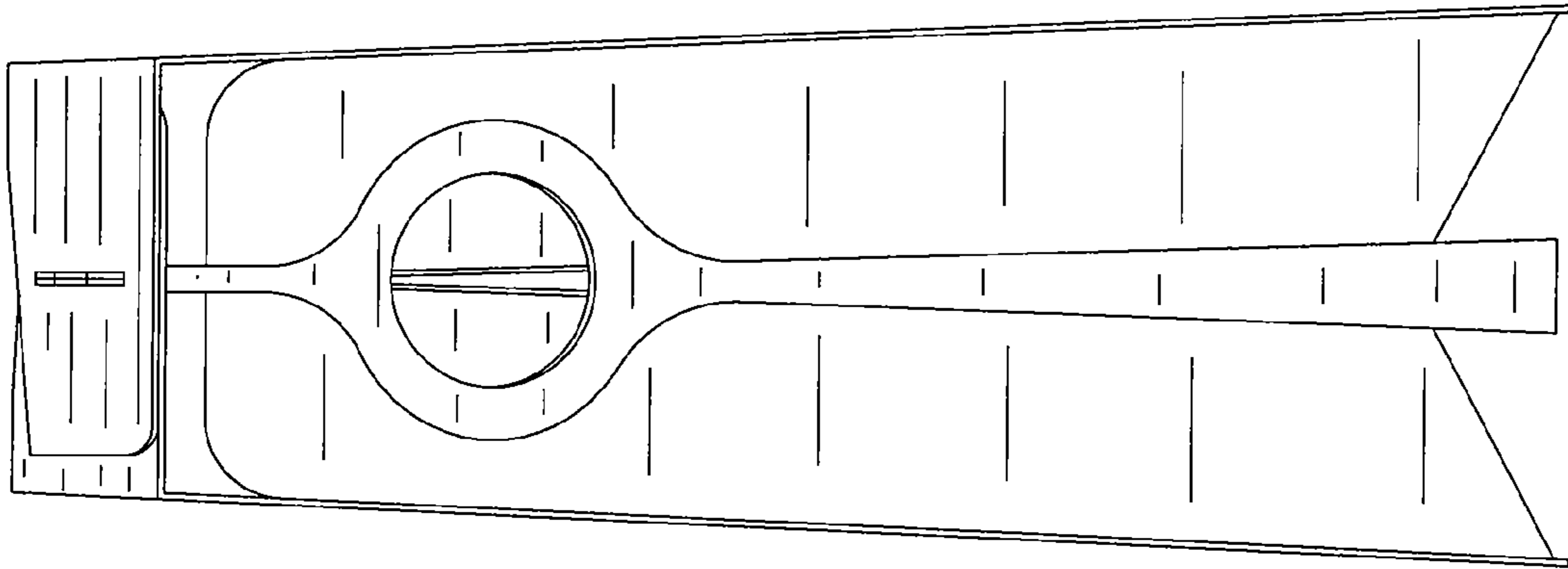


FIG. 6

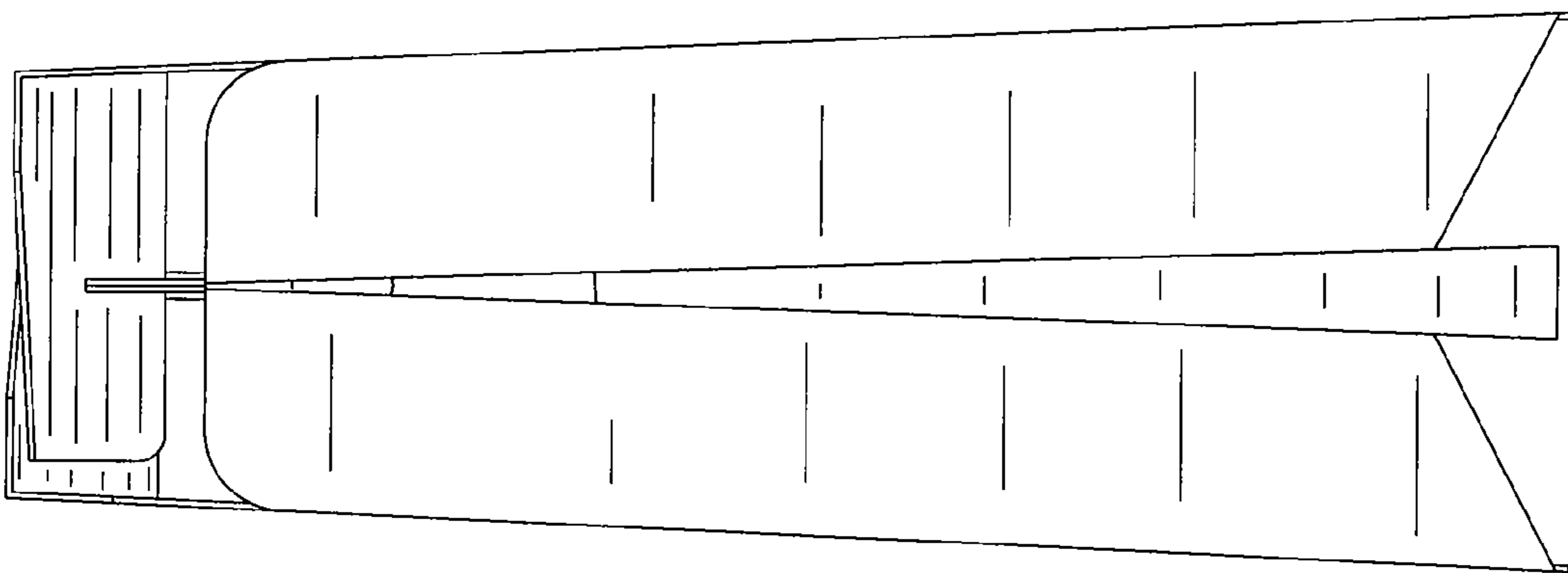


FIG. 7