



US00D600294S

(12) **United States Design Patent**
Mills

(10) **Patent No.:** **US D600,294 S**

(45) **Date of Patent:** **** Sep. 15, 2009**

(54) **PUTTER HEAD**

(75) Inventor: **David F. Mills**, Tuscaloosa, AL (US)

(73) Assignee: **T. P. Mills Company, Inc.**, Tuscaloosa, AL (US)

(**) Term: **14 Years**

(21) Appl. No.: **29/307,175**

(22) Filed: **Apr. 4, 2008**

(51) **LOC (9) Cl.** **21-02**

(52) **U.S. Cl.** **D21/736**

(58) **Field of Classification Search** D21/736-746;
473/324-331, 340-341

See application file for complete search history.

(56) **References Cited**

U.S. PATENT DOCUMENTS

D159,068 S *	6/1950	Jamison	D21/736
D297,040 S *	8/1988	Shong	D21/741
D360,010 S *	7/1995	Green	D21/746
D382,615 S	8/1997	Schaeffer et al.		
D392,355 S *	3/1998	Ramirez et al.	D21/745
5,951,412 A	9/1999	Rose et al.		
D444,833 S	7/2001	Wells et al.		
D511,802 S	11/2005	Cameron		
D514,181 S	1/2006	Cameron		
D517,623 S	3/2006	Johnson		
D529,559 S	10/2006	Johnson		
D568,955 S	5/2008	Oldknow et al.		

* cited by examiner

Primary Examiner—Mitchell I Siegel

(74) Attorney, Agent, or Firm—J. Bennett Mullinax, LLC

(57) **CLAIM**

The ornamental design for a putter head, as shown and described.

DESCRIPTION

FIG. 1 is a front perspective view of a first embodiment of a putter head.

FIG. 2 is a front elevational view of the putter head seen in FIG. 1.

FIG. 3 is a rear elevational view of the putter head seen in FIG. 1.

FIG. 4 is a top plan view of the putter head seen in FIG. 1.

FIG. 5 is a bottom plan view of the putter head seen in FIG. 1.

FIG. 6 is an elevational view of the left side of the putter head seen in FIG. 1.

FIG. 7 is an elevational view of the right side of the putter head seen in FIG. 1.

FIG. 8 is a front perspective view of a second embodiment of a putter head.

FIG. 9 is a front elevational view of the putter head seen in FIG. 8.

FIG. 10 is a rear elevational view of the putter head seen in FIG. 8.

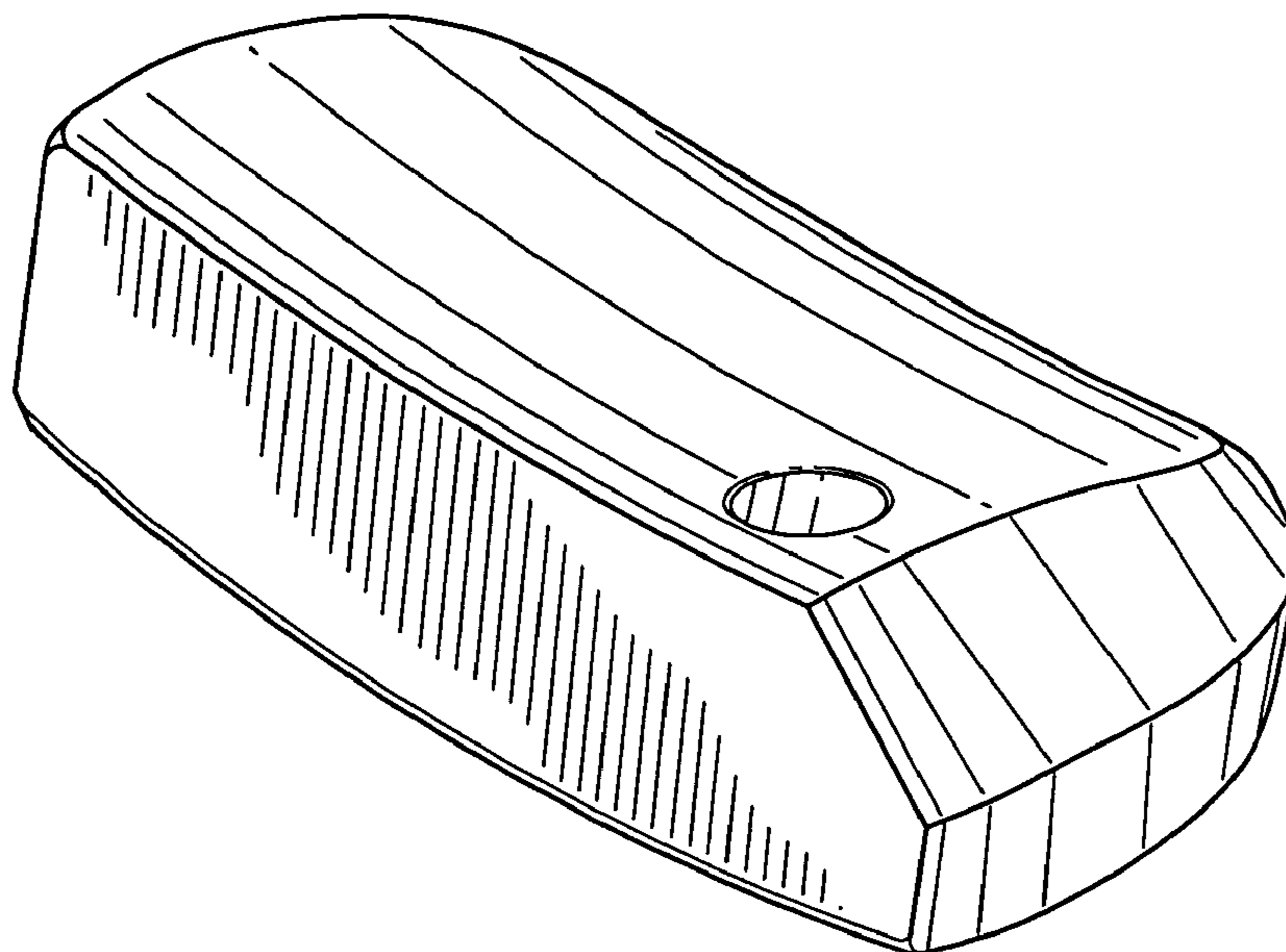
FIG. 11 is a top plan view of the putter head seen in FIG. 8.

FIG. 12 is a bottom plan view of the putter head seen in FIG. 8.

FIG. 13 is an elevational view of the left side of the putter head seen in FIG. 8; and,

FIG. 14 is an elevational view of the right side of the putter head seen in FIG. 8.

1 Claim, 4 Drawing Sheets



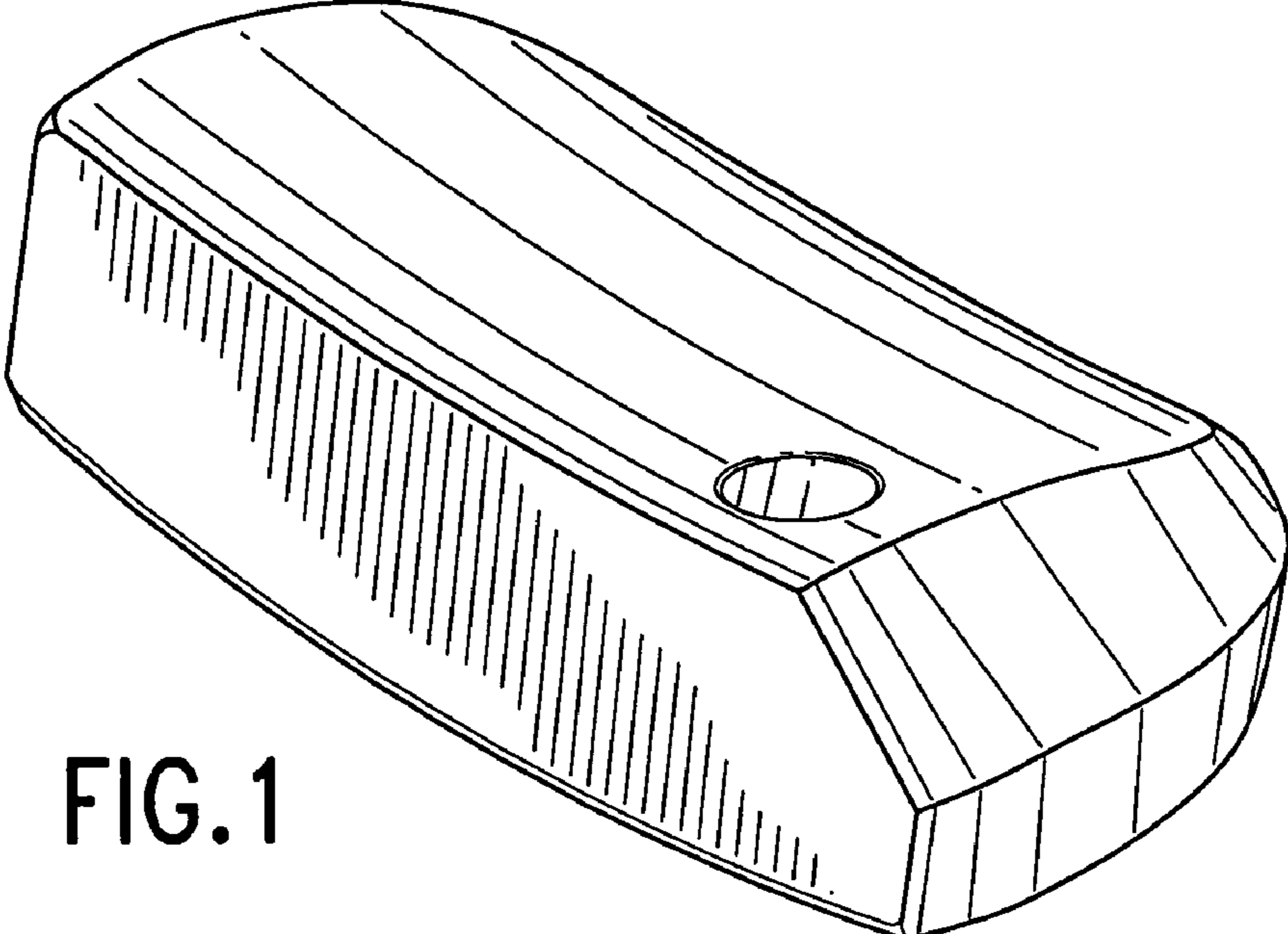


FIG. 1

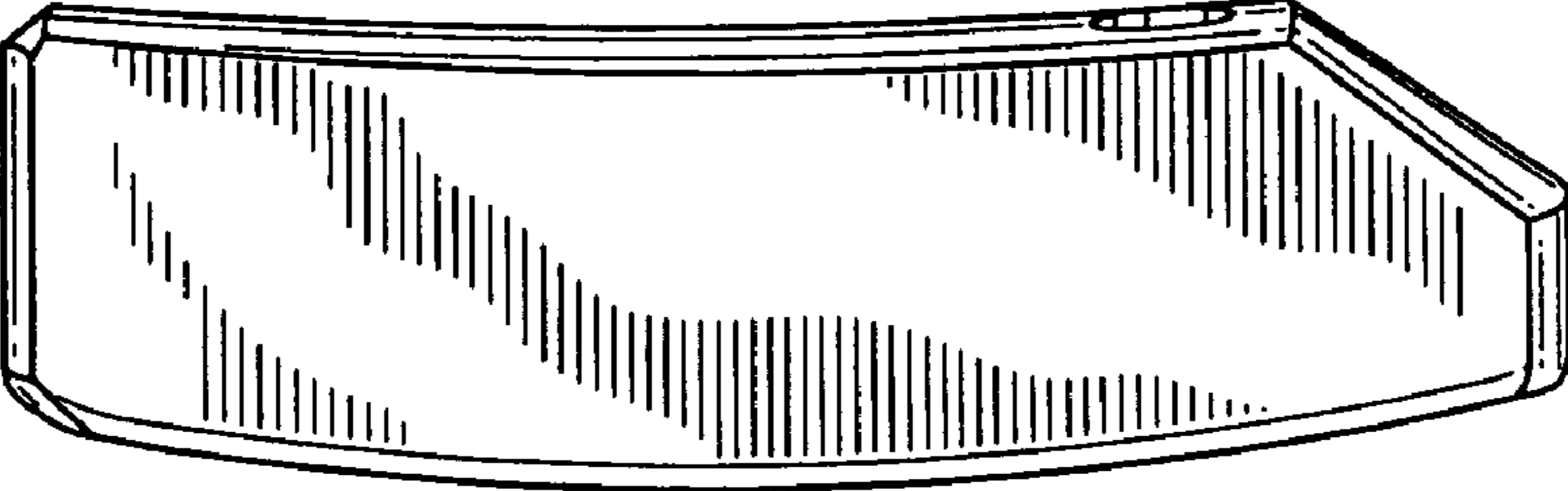


FIG. 2

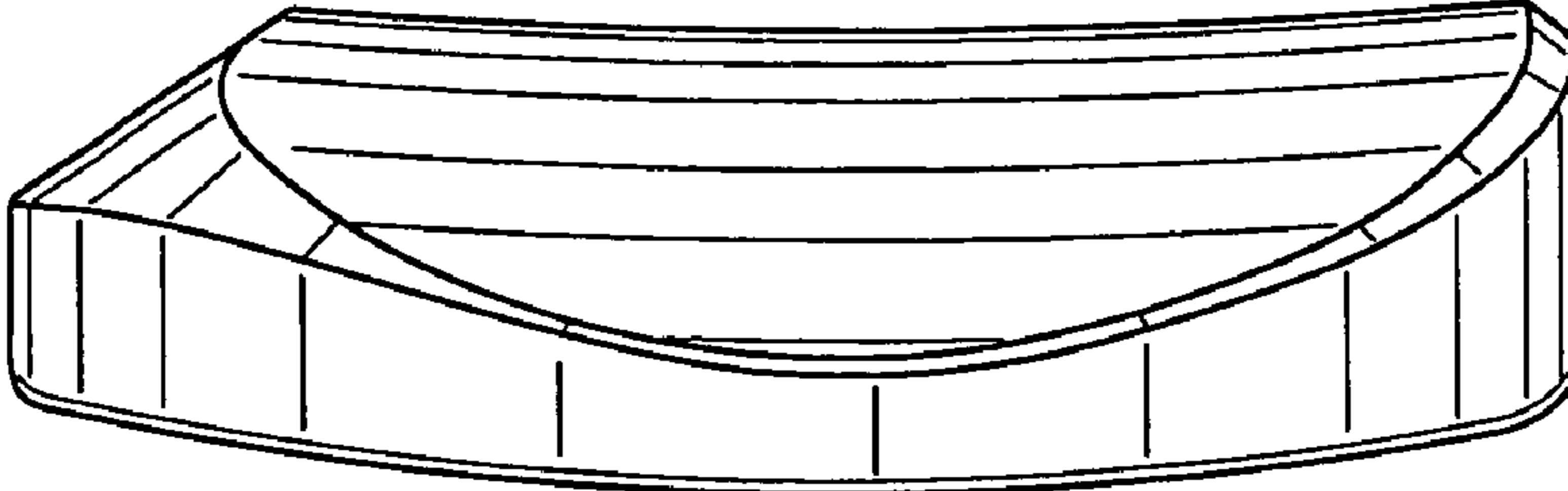


FIG. 3

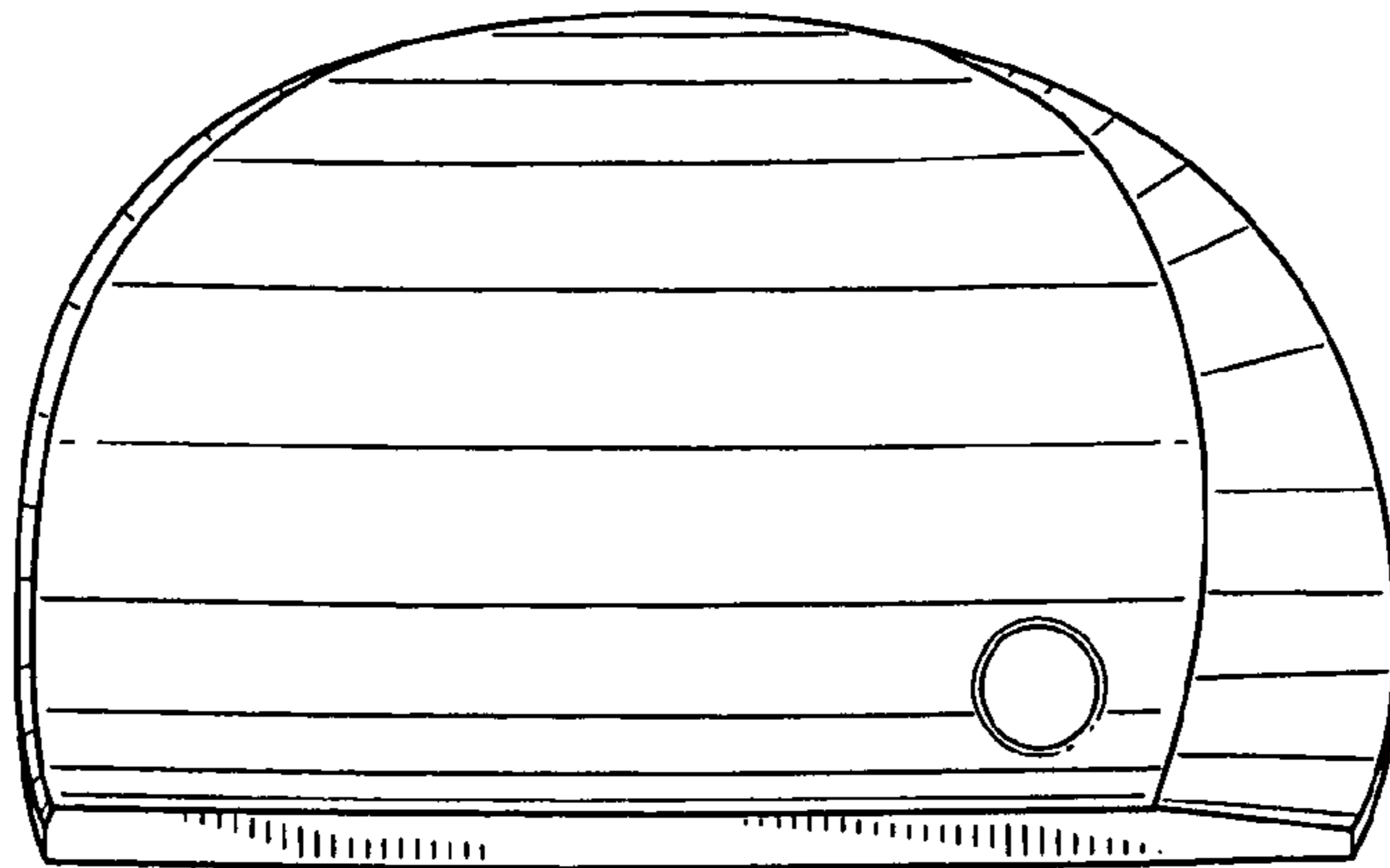


FIG. 4

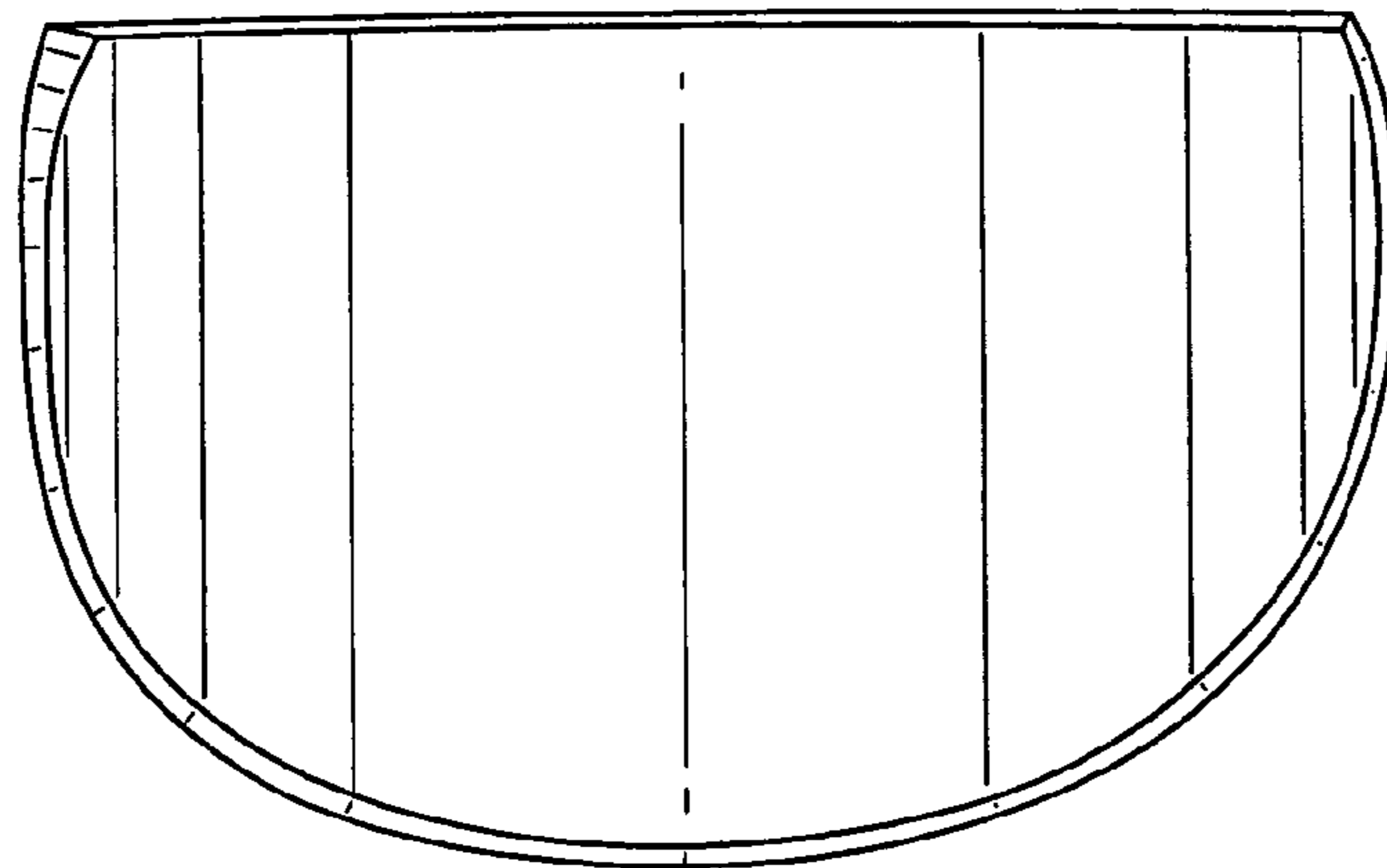


FIG. 5

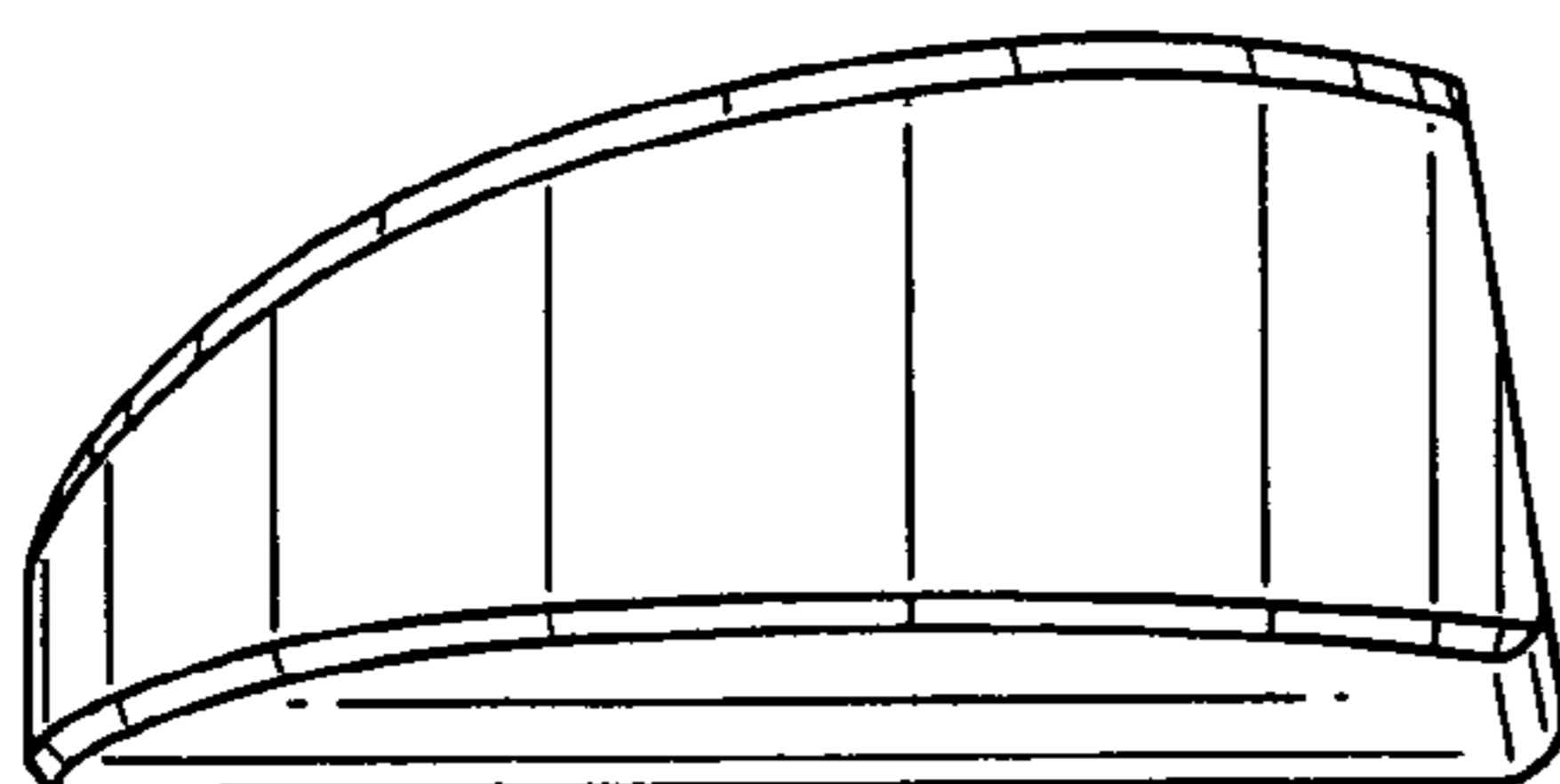


FIG. 6

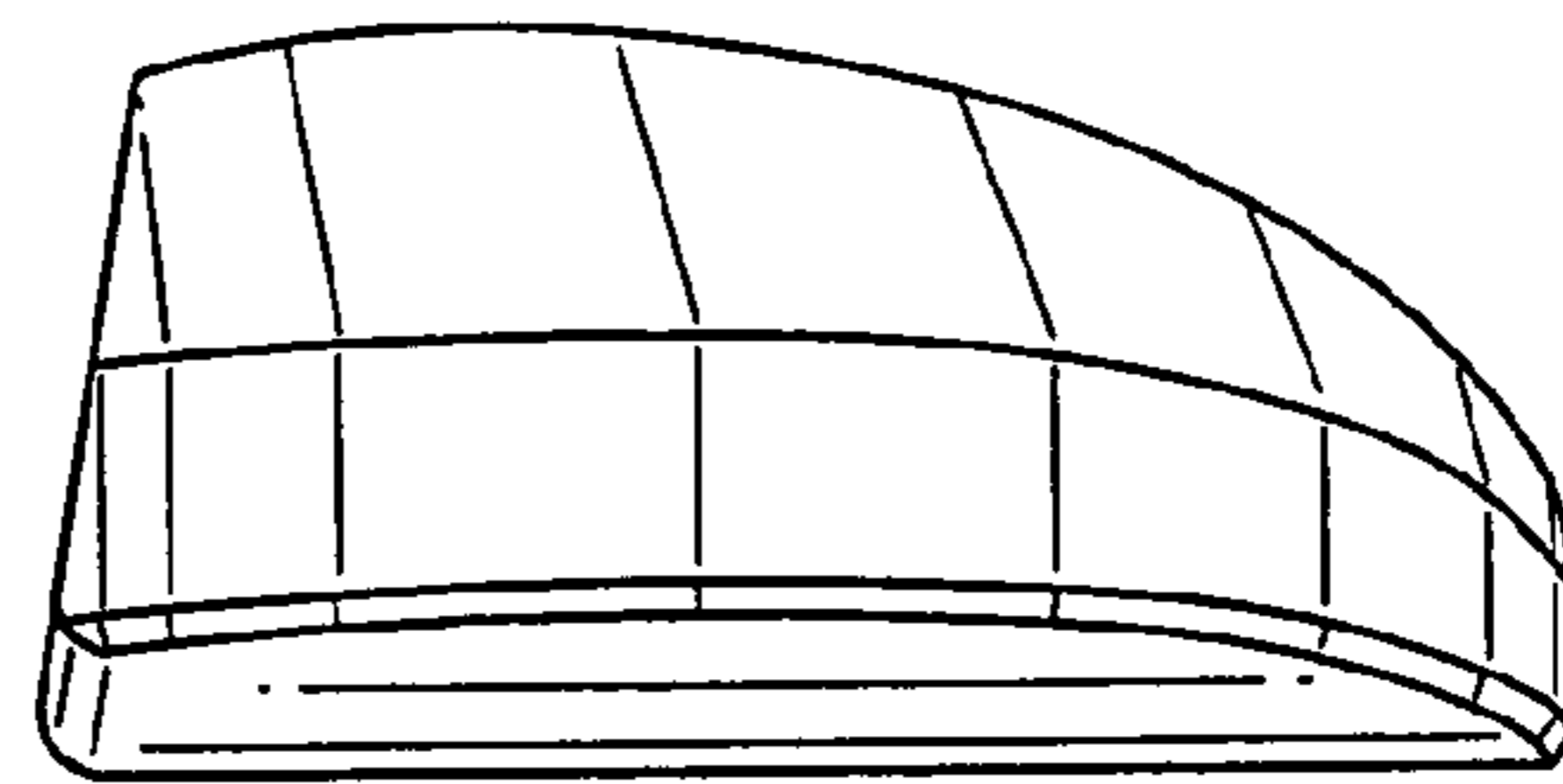


FIG. 7

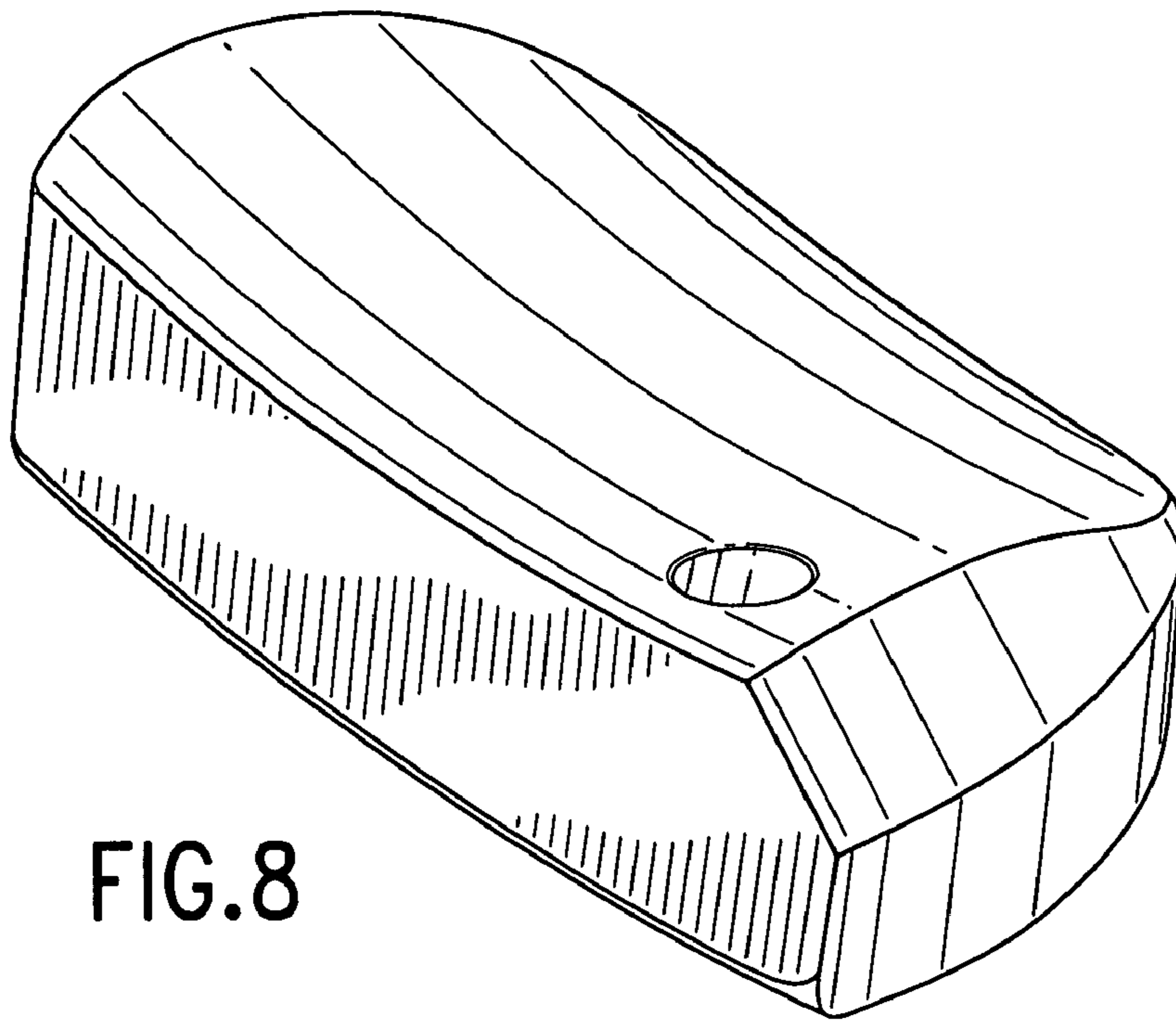


FIG. 8

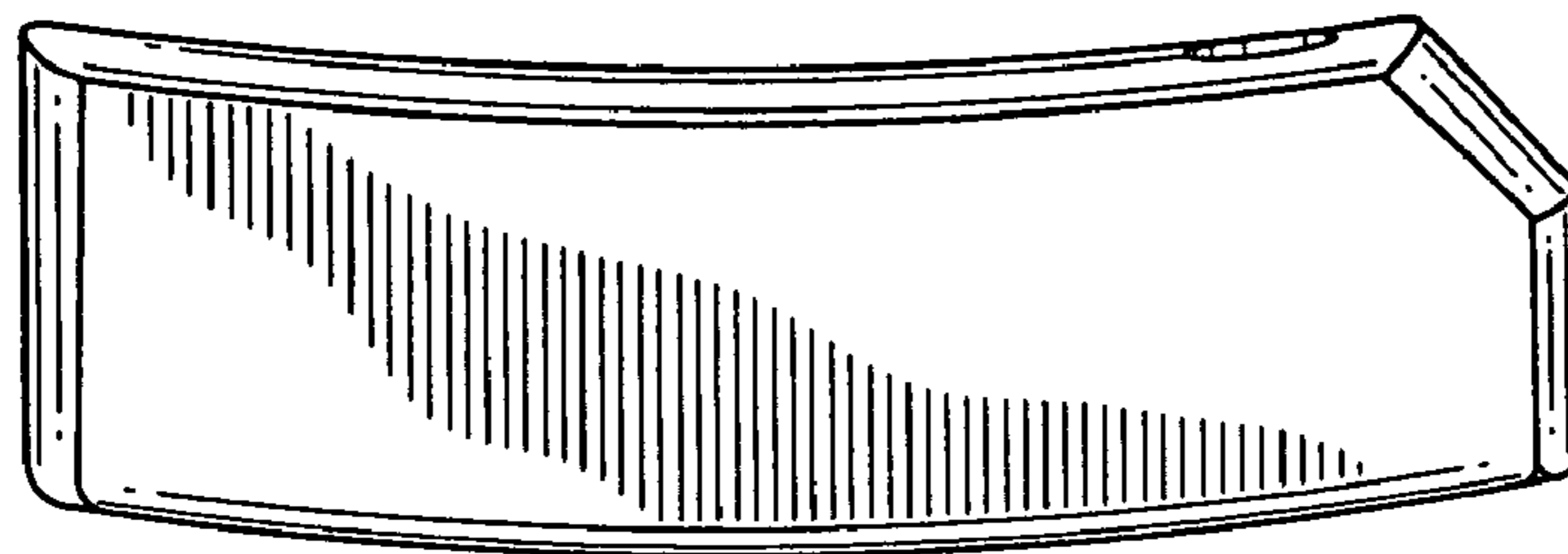


FIG. 9

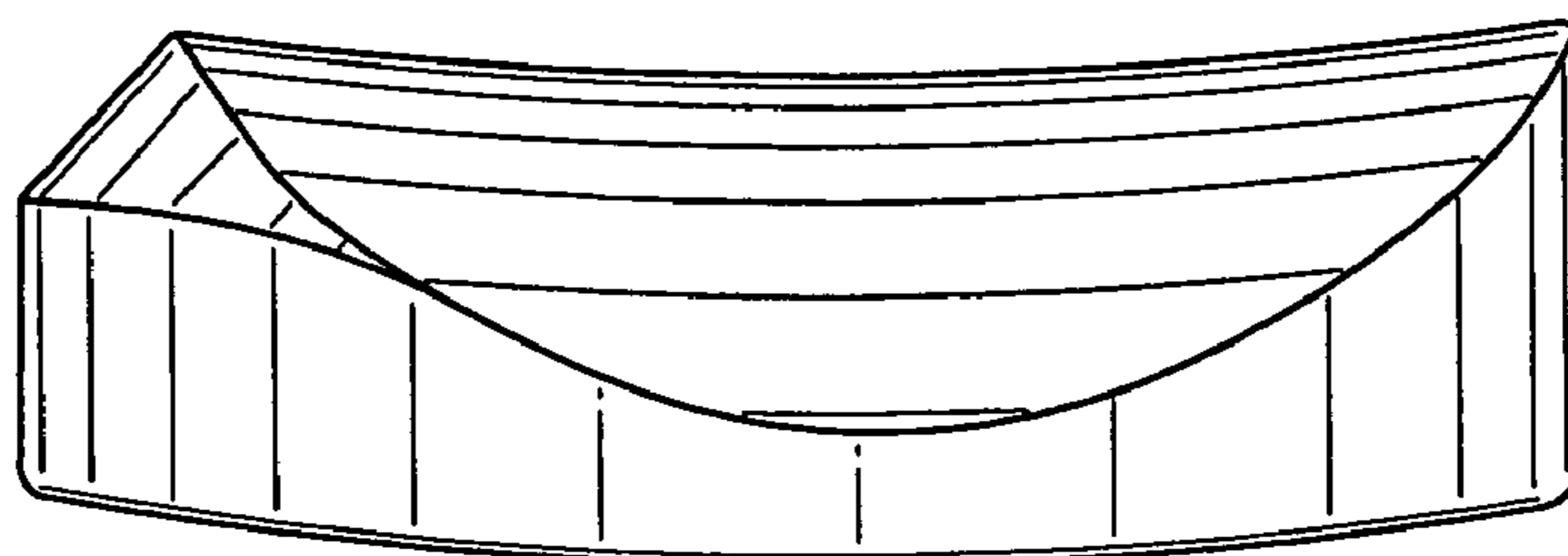


FIG. 10

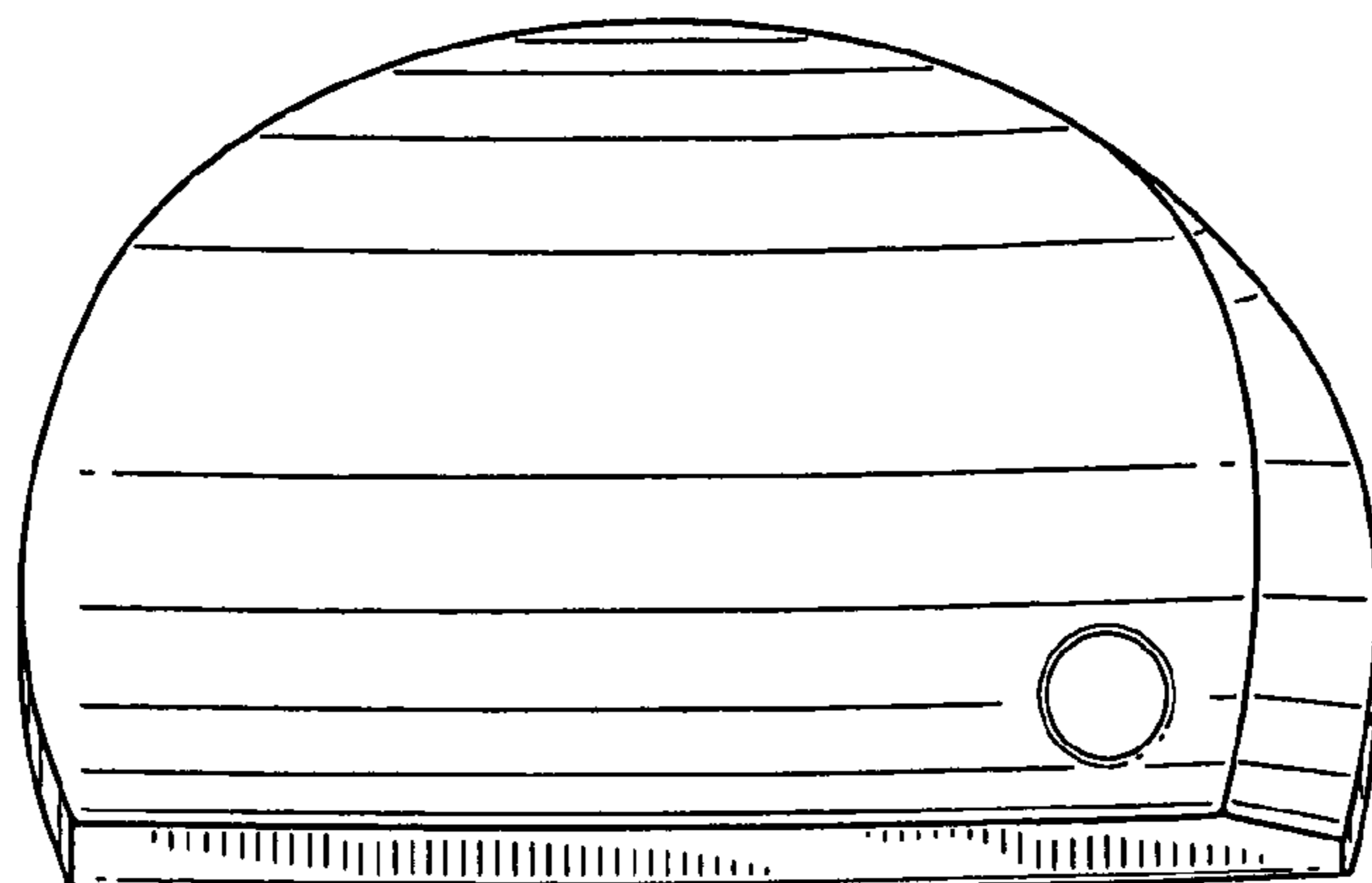


FIG. 11

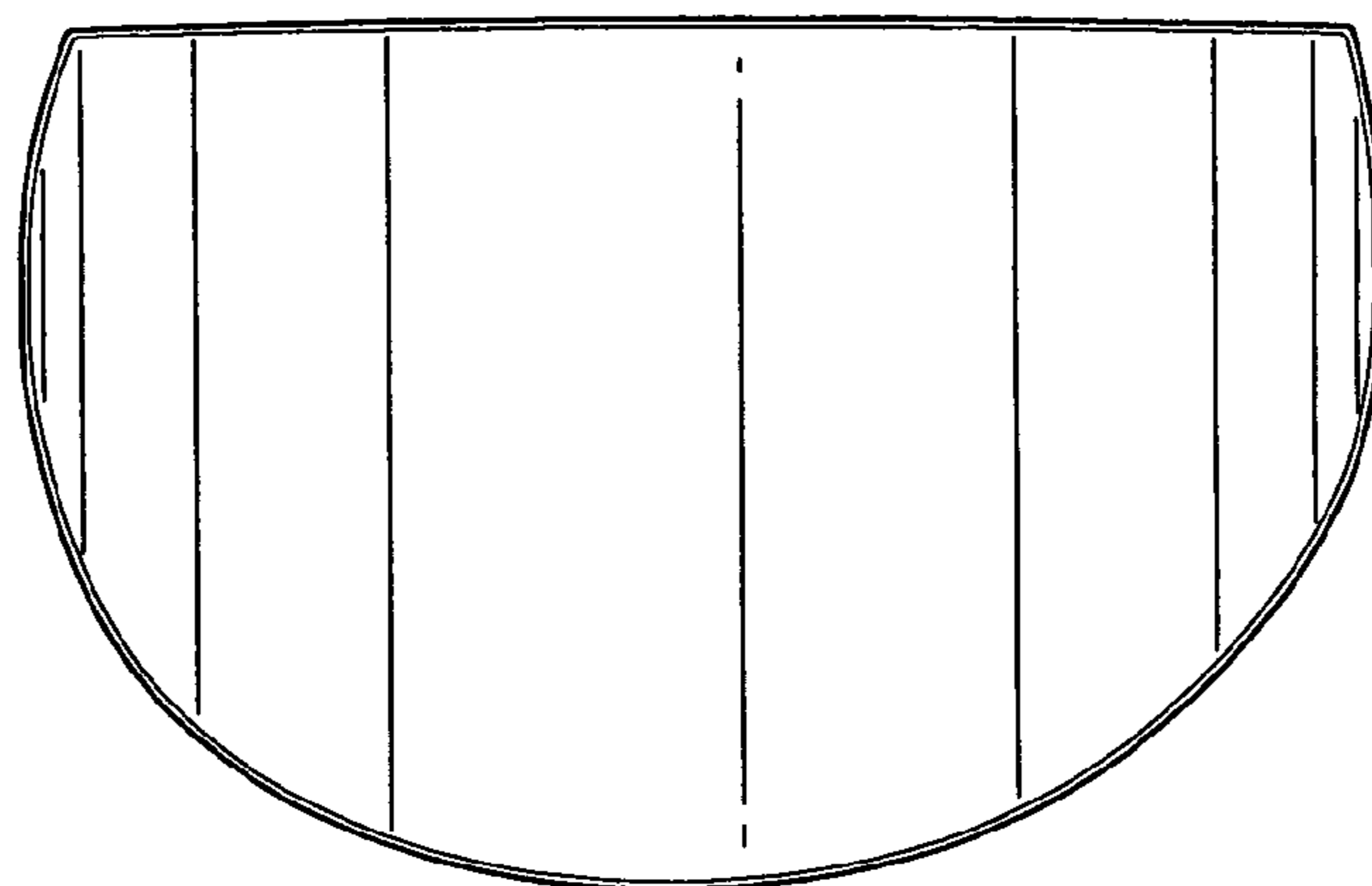


FIG. 12

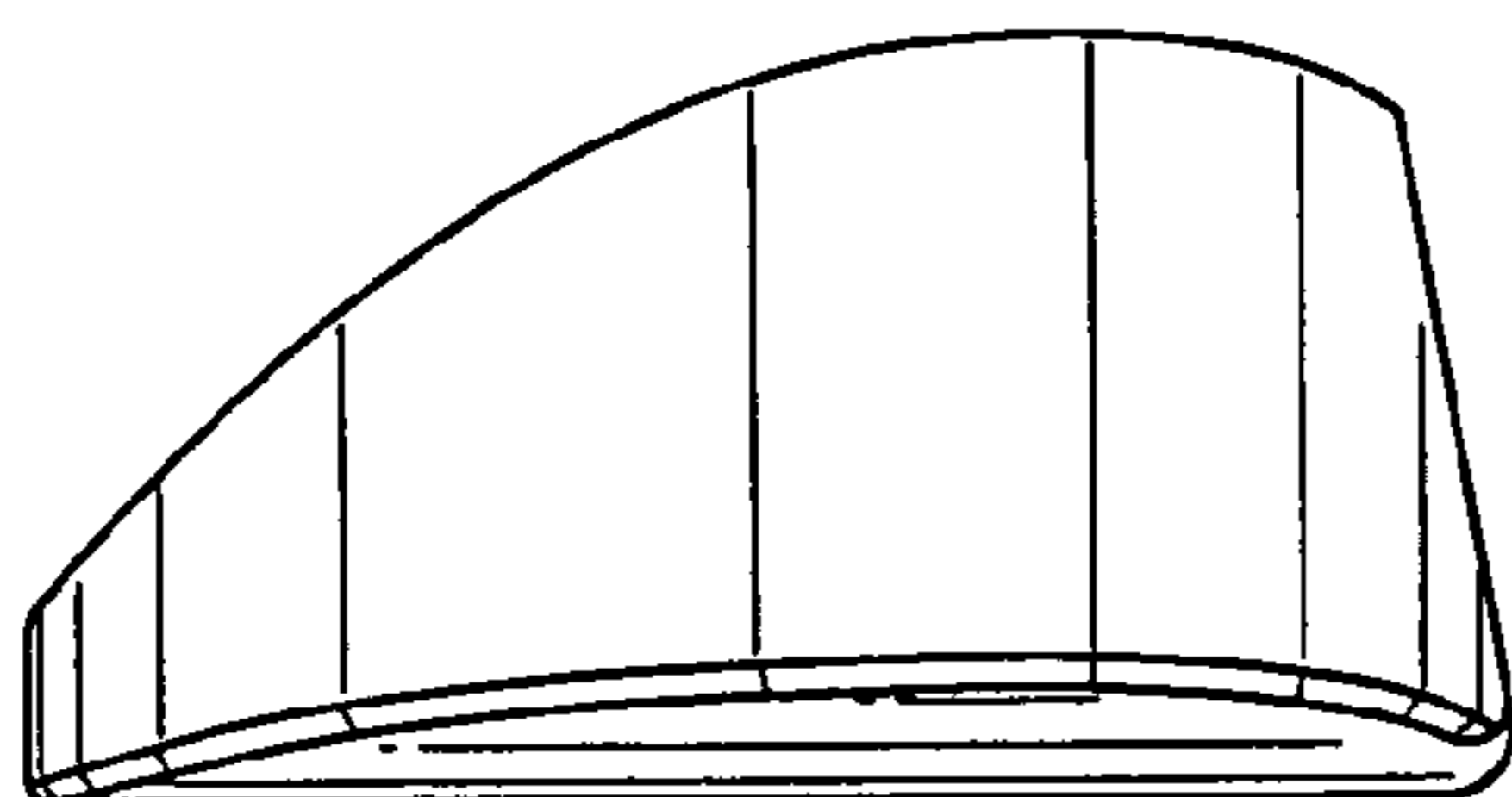


FIG. 13

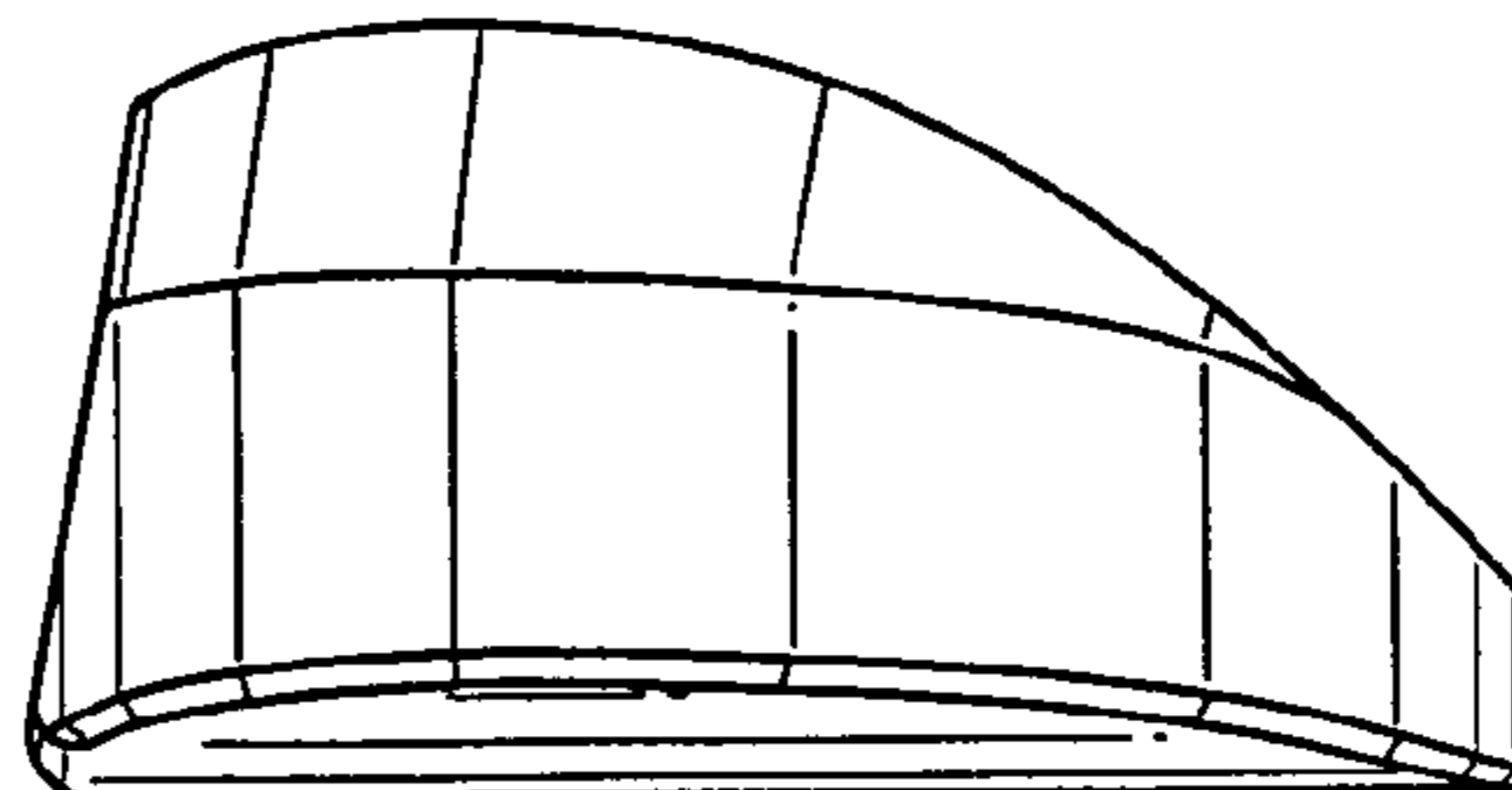


FIG. 14