



US00D600293S

(12) **United States Design Patent**
Horita

(10) **Patent No.:** **US D600,293 S**

(45) **Date of Patent:** **** Sep. 15, 2009**

(54) **SHROUD FOR AN EXERCISE DEVICE**

(75) Inventor: **Sean K. Horita**, Seattle, WA (US)

(73) Assignee: **Precor Incorporated**, Woodinville, WA (US)

(**) Term: **14 Years**

(21) Appl. No.: **29/293,226**

(22) Filed: **Nov. 9, 2007**

(51) **LOC (9) Cl.** **21-02**

(52) **U.S. Cl.** **D21/694; D21/697**

(58) **Field of Classification Search** D21/663,
D21/666, 668, 670, 694, 697; 428/51, 52,
428/57, 70

See application file for complete search history.

(56) **References Cited**

U.S. PATENT DOCUMENTS

D328,770 S	8/1992	Henderson et al.	
D342,299 S	12/1993	Birrell et al.	
D347,039 S	5/1994	Littrell et al.	
D372,282 S	7/1996	Pasero et al.	
D377,672 S	1/1997	Wanzer, et al.	
D388,847 S *	1/1998	Whan-Tong et al. D21/670
D398,672 S *	9/1998	Sands et al. D21/663
D408,477 S *	4/1999	Arnold et al. D21/668
D410,978 S *	6/1999	Littrell et al. D21/668
6,007,462 A *	12/1999	Chen 482/57
D424,137 S	5/2000	Barker et al.	
D429,781 S *	8/2000	Arnold et al. D21/668
D439,289 S	3/2001	Moran et al.	
D447,780 S	9/2001	Arnold et al.	
D449,356 S *	10/2001	Arnold et al. D21/668

D464,688 S *	10/2002	May et al. D21/668
D530,758 S *	10/2006	Kim D21/668
7,264,576 B2 *	9/2007	Gerschefske et al. 482/52
D558,841 S *	1/2008	Clawson et al. D21/668
D559,925 S	1/2008	Horita	
7,331,905 B1 *	2/2008	Wang 482/52
D567,314 S	4/2008	Horita	

* cited by examiner

Primary Examiner—Philip S Hyder

(74) *Attorney, Agent, or Firm*—Terence P. O'Brien

(57) **CLAIM**

We claim the ornamental design for a shroud for an exercise device, as shown and described.

DESCRIPTION

FIG. 1 is a rear side perspective view of a shroud for an exercise device;

FIG. 2 is a front side perspective view of the shroud of FIG. 1;

FIG. 3 is a first side view of the shroud of FIG. 1;

FIG. 4 is a second opposite side view of the shroud of FIG. 1;

FIG. 5 is a rear view of the shroud of FIG. 1;

FIG. 6 is a front view of the shroud of FIG. 1;

FIG. 7 is a top view of the shroud of FIG. 1; and,

FIG. 8 is a bottom view of the shroud of FIG. 1.

The ornamental design that is claimed is shown in solid lines in the drawings. The broken (dashed) lines shown in the drawings are included for the purpose of illustrating environmental elements only and form no part of the claimed design.

1 Claim, 6 Drawing Sheets

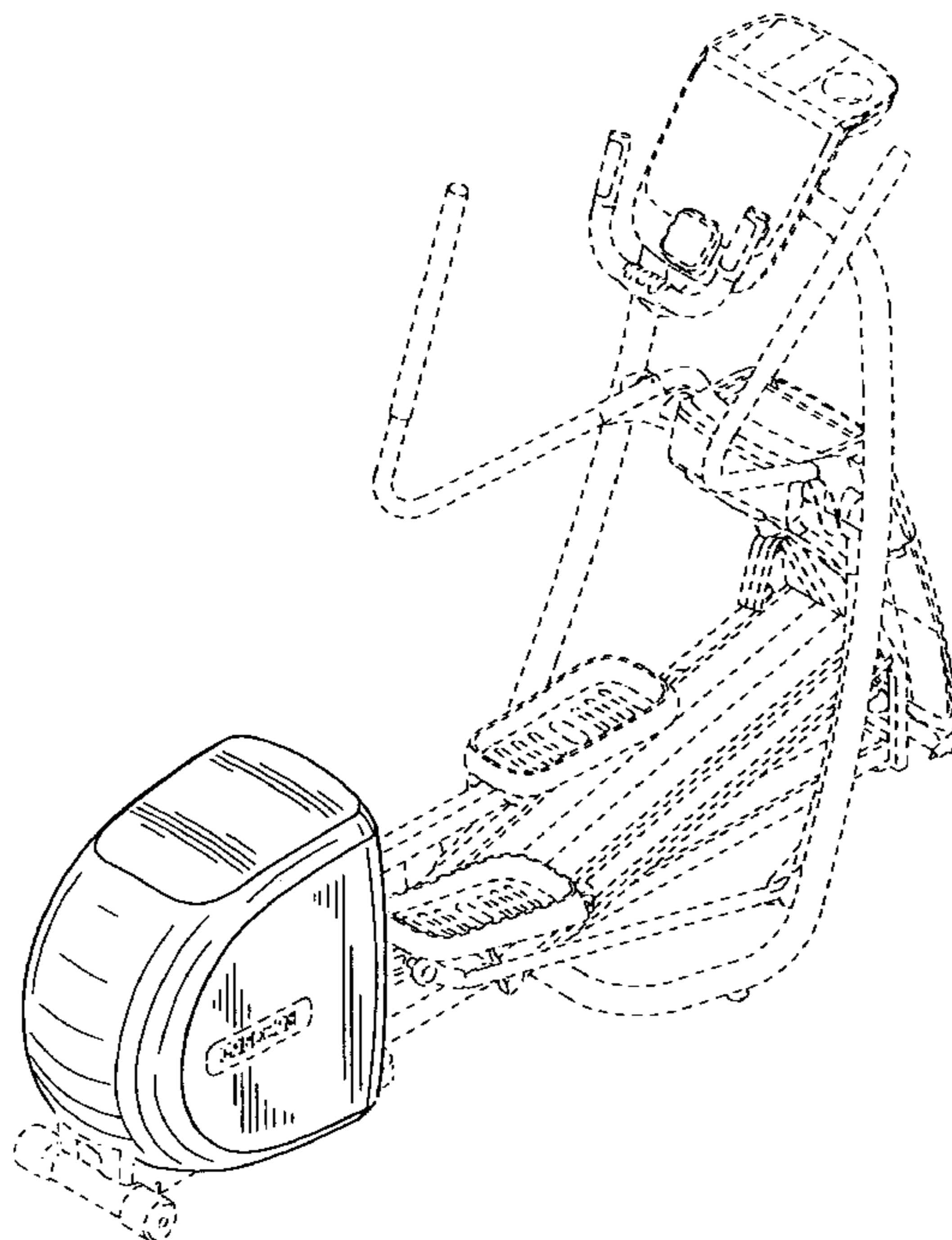
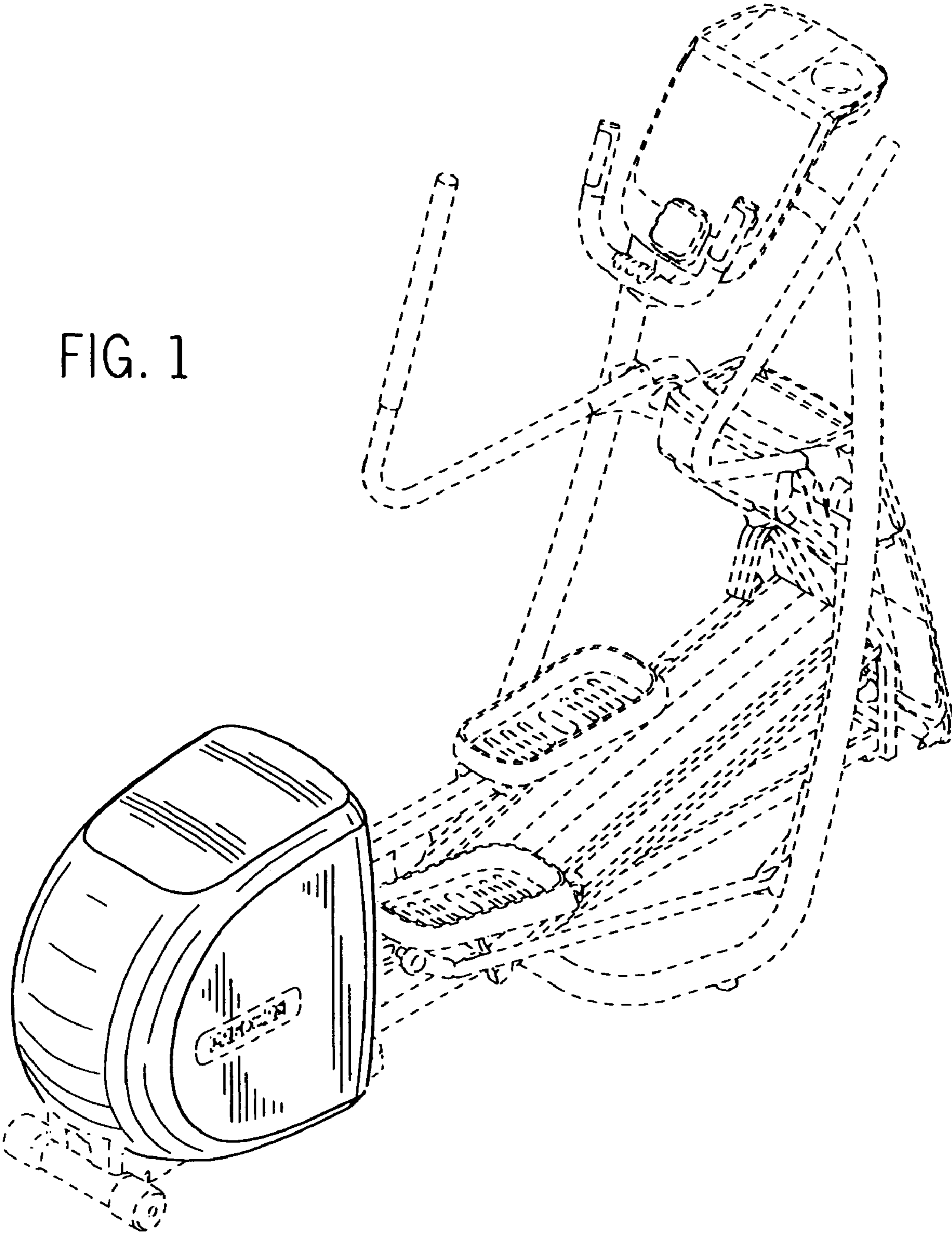


FIG. 1



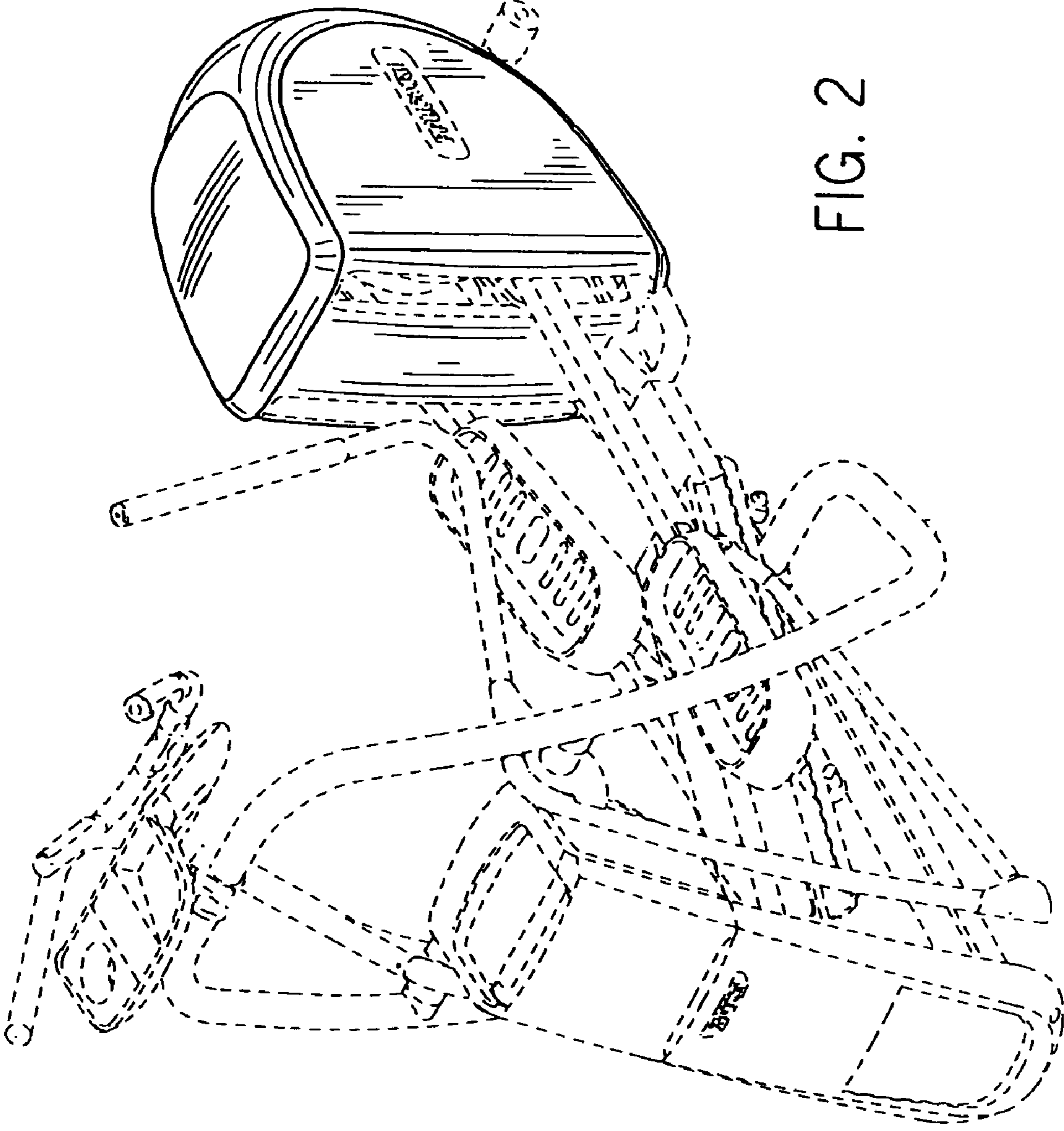
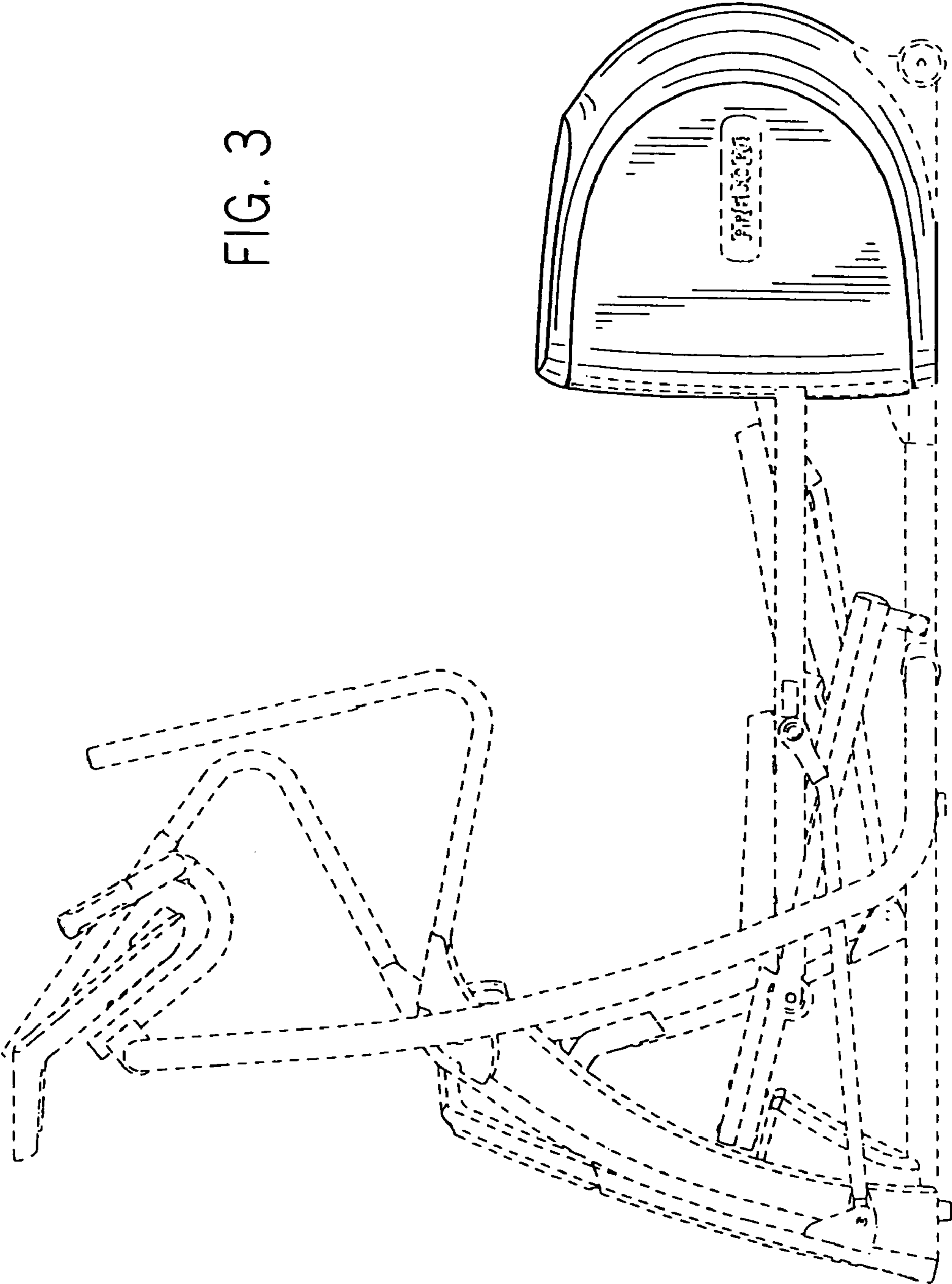


FIG. 2

FIG. 3



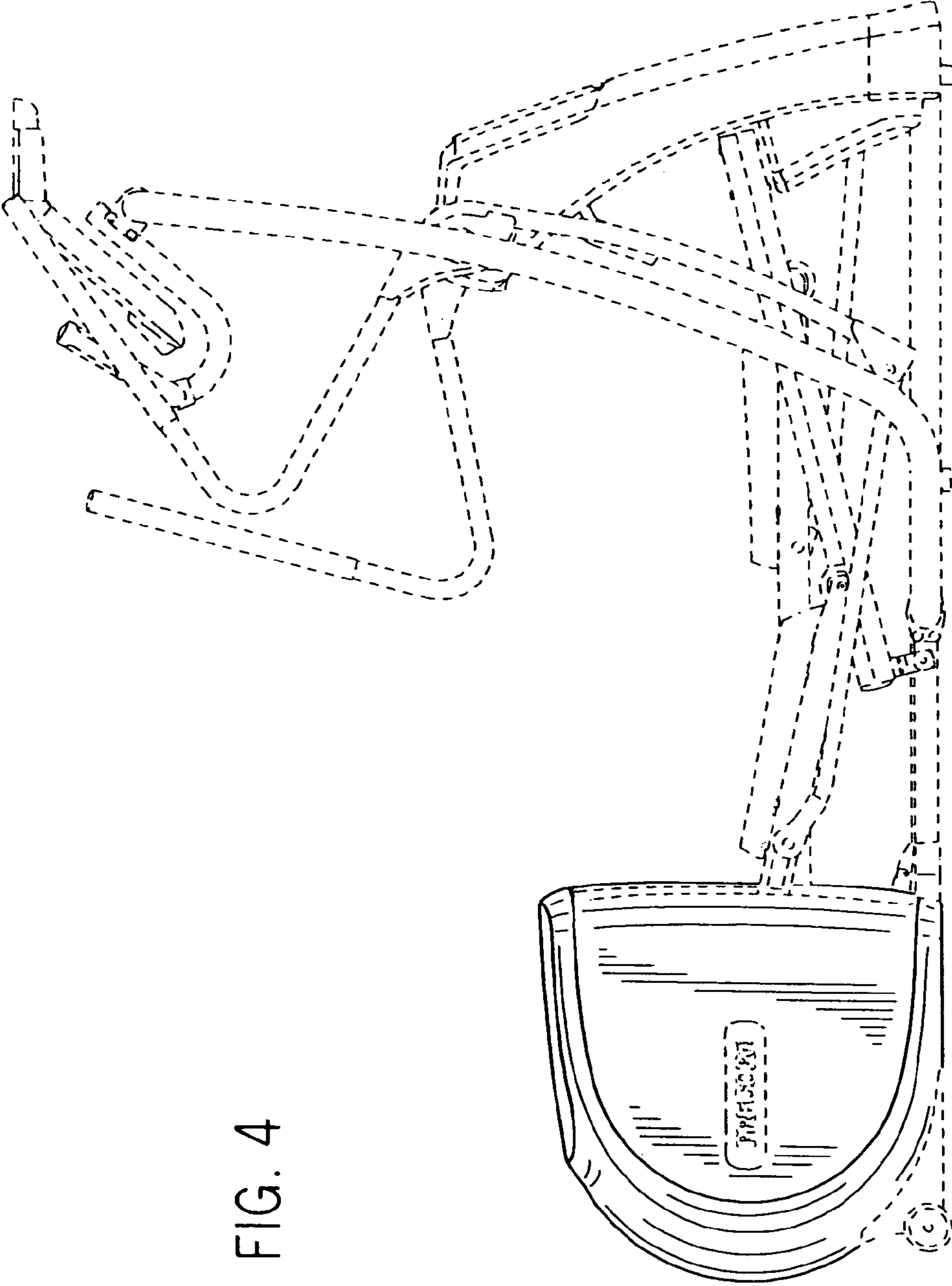


FIG. 4

FIG. 6

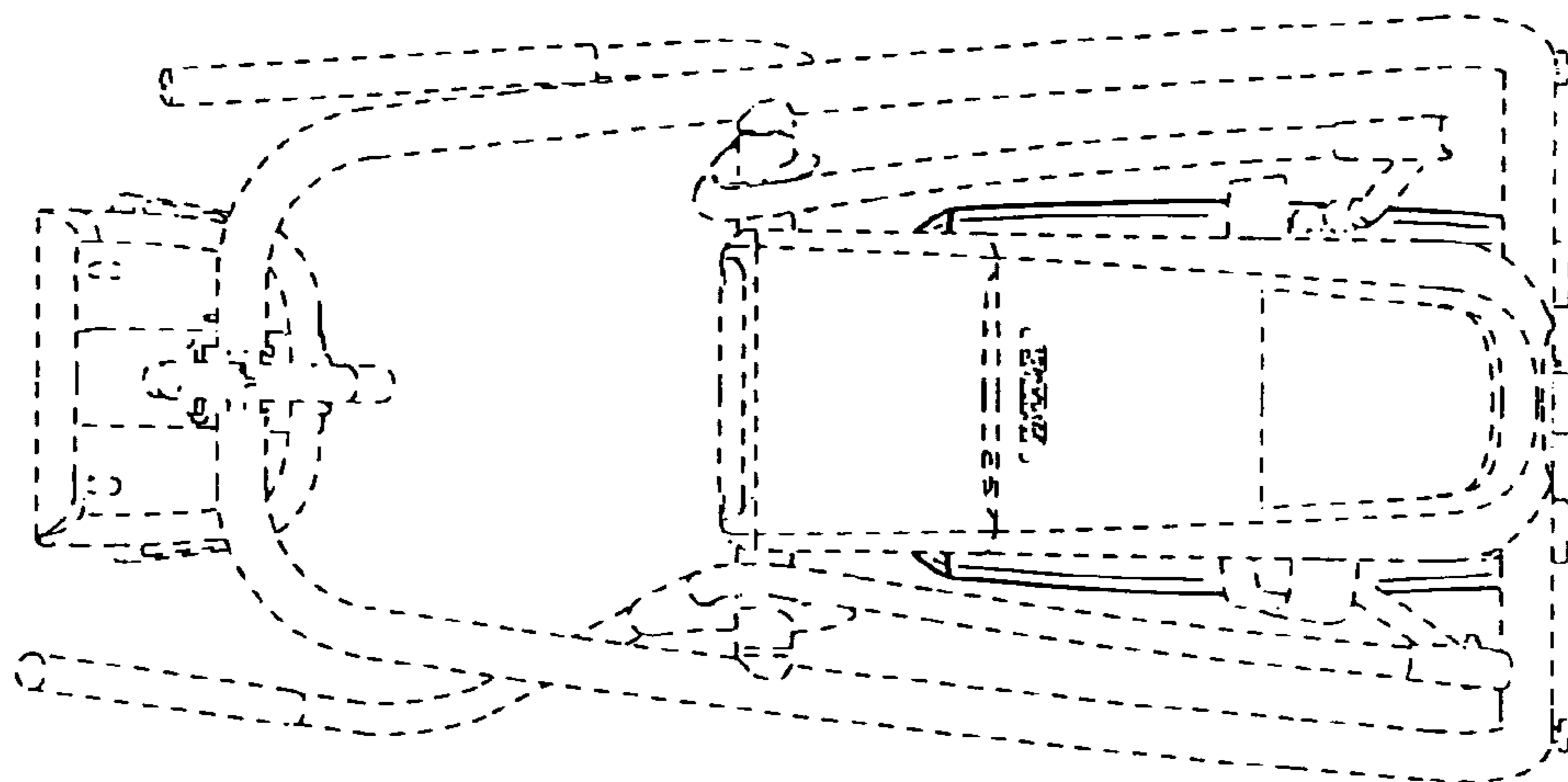


FIG. 5

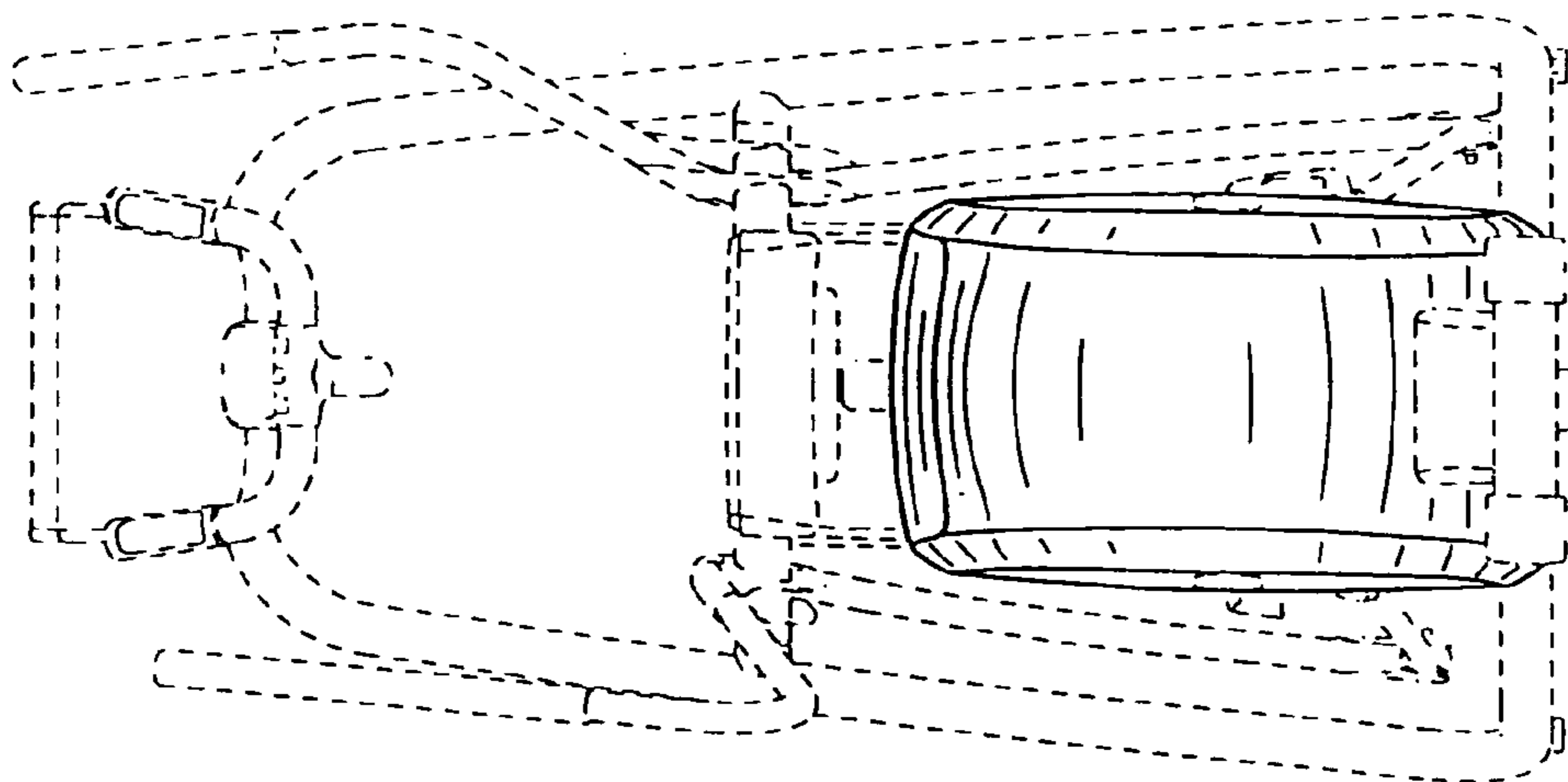


FIG. 7

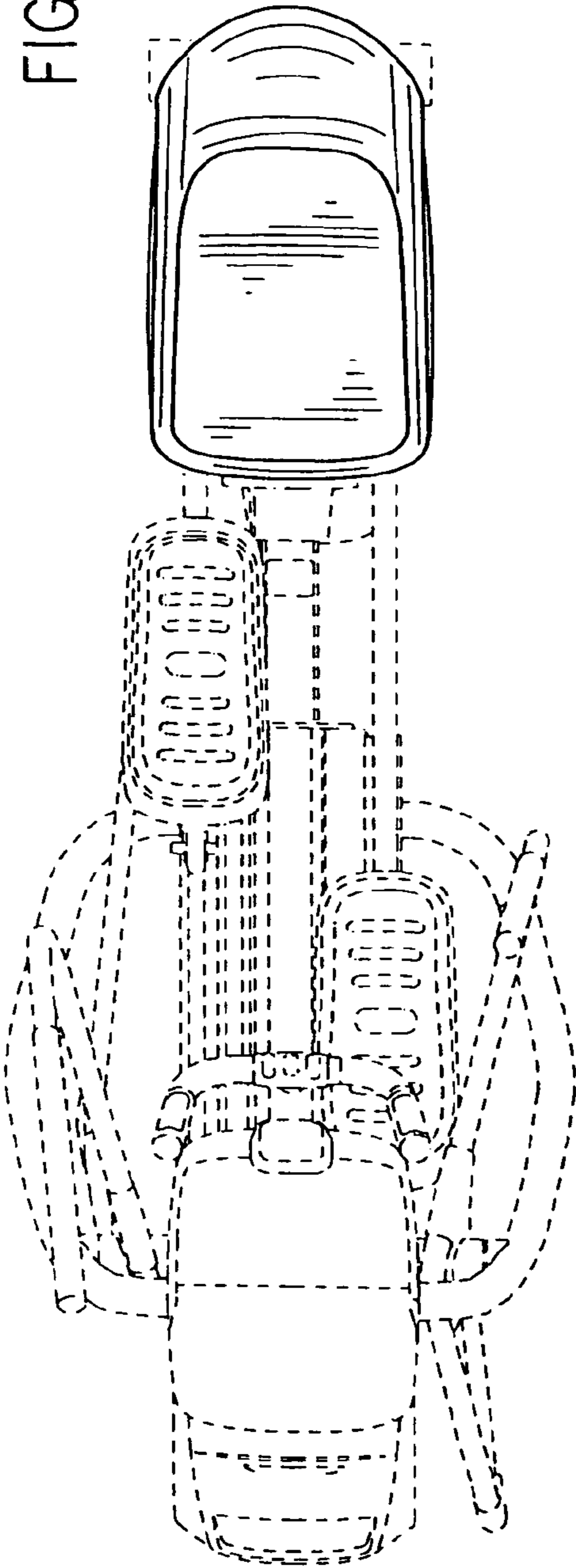


FIG. 8

