



US00D600287S

(12) **United States Design Patent**  
**Oikawa et al.**

(10) **Patent No.:** **US D600,287 S**

(45) **Date of Patent:** **\*\* Sep. 15, 2009**

(54) **BASE STATION BOX**

(75) Inventors: **Yuji Oikawa**, Marina Del Rey, CA (US);  
**Hiroya Fujii**, Los Angeles, CA (US);  
**Isamu Arie**, Santa Monica, CA (US);  
**Ronald Clark**, Los Angeles, CA (US)

(73) Assignee: **Sony Computer Entertainment Inc.**  
(JP)

(\*\*) Term: **14 Years**

(21) Appl. No.: **29/321,878**

(22) Filed: **Jul. 24, 2008**

(51) **LOC (9) Cl.** ..... **21-01**

(52) **U.S. Cl.** ..... **D21/332; D21/324**

(58) **Field of Classification Search** ..... D21/324,  
D21/332, 333, 328; 273/148 B; 463/1, 29-35,  
463/39, 40, 42, 46, 47; 345/156, 158, 162,  
345/630, 536-540, 555, 905; 455/1, 3.01,  
455/3.06, 344, 347; 710/303, 304; 725/131,  
725/134, 133, 151; 220/615, 639, 643, 644,  
220/652; D9/432, 424

See application file for complete search history.

(56) **References Cited**

**U.S. PATENT DOCUMENTS**

5,328,268 A \* 7/1994 Lafleur ..... 383/119  
6,446,854 B1 \* 9/2002 Remiszewski et al. ... 227/175.1  
6,563,488 B1 \* 5/2003 Rogers et al. .... 345/163  
7,215,660 B2 \* 5/2007 Perlman ..... 370/338  
7,424,388 B2 \* 9/2008 Sato ..... 702/152  
2007/0257884 A1 \* 11/2007 Taira et al. .... 345/158

2008/0251696 A1 \* 10/2008 Richardson et al. .... 250/208.1  
2008/0257897 A1 \* 10/2008 McAlpine et al. .... 220/652  
2009/0054147 A1 \* 2/2009 Chiu et al. .... 463/39  
2009/0116416 A1 \* 5/2009 Sekiya ..... 370/310  
2009/0116436 A1 \* 5/2009 Okuda ..... 370/329  
2009/0116449 A1 \* 5/2009 Kishiyama et al. .... 370/331  
2009/0119739 A1 \* 5/2009 Ranta et al. .... 725/136

\* cited by examiner

*Primary Examiner*—Prabhakar Deshmukh

(74) *Attorney, Agent, or Firm*—Martine Penilla &  
Gencarella, LLP

(57) **CLAIM**

The ornamental design for a base station box, as shown and described.

**DESCRIPTION**

FIG. 1 is a perspective view of a base station box;

FIG. 2 is a front view thereof;

FIG. 3 is a rear view thereof;

FIG. 4 is a left side view thereof;

FIG. 5 is a right side view thereof;

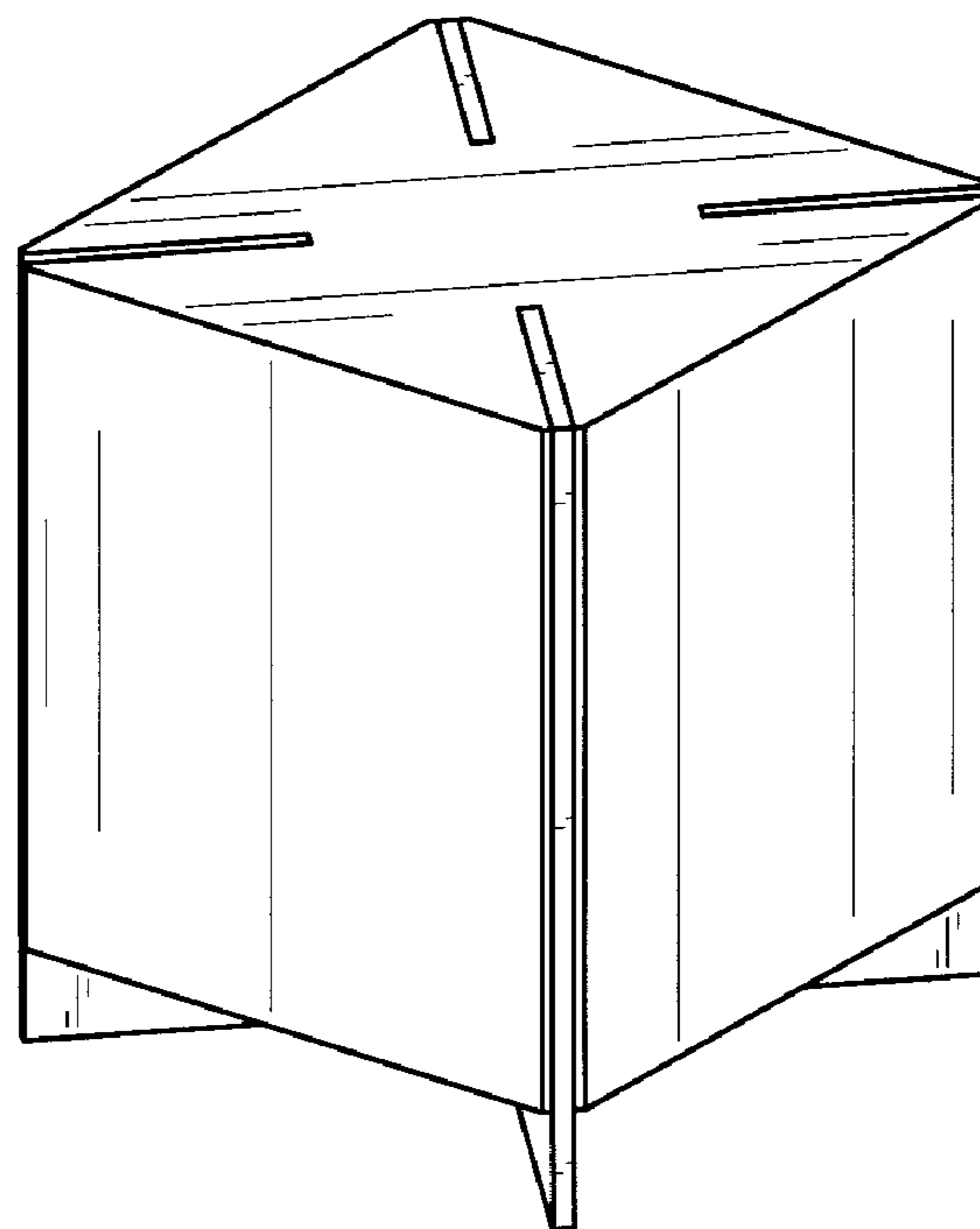
FIG. 6 is a top plan view thereof;

FIG. 7 is a bottom plan view thereof; and,

FIG. 8 is a perspective view thereof, with the base station box shown in its environmental use.

The broken lines environment in FIG. 8 is for illustrative purpose only and forms no part of the claimed design.

**1 Claim, 5 Drawing Sheets**



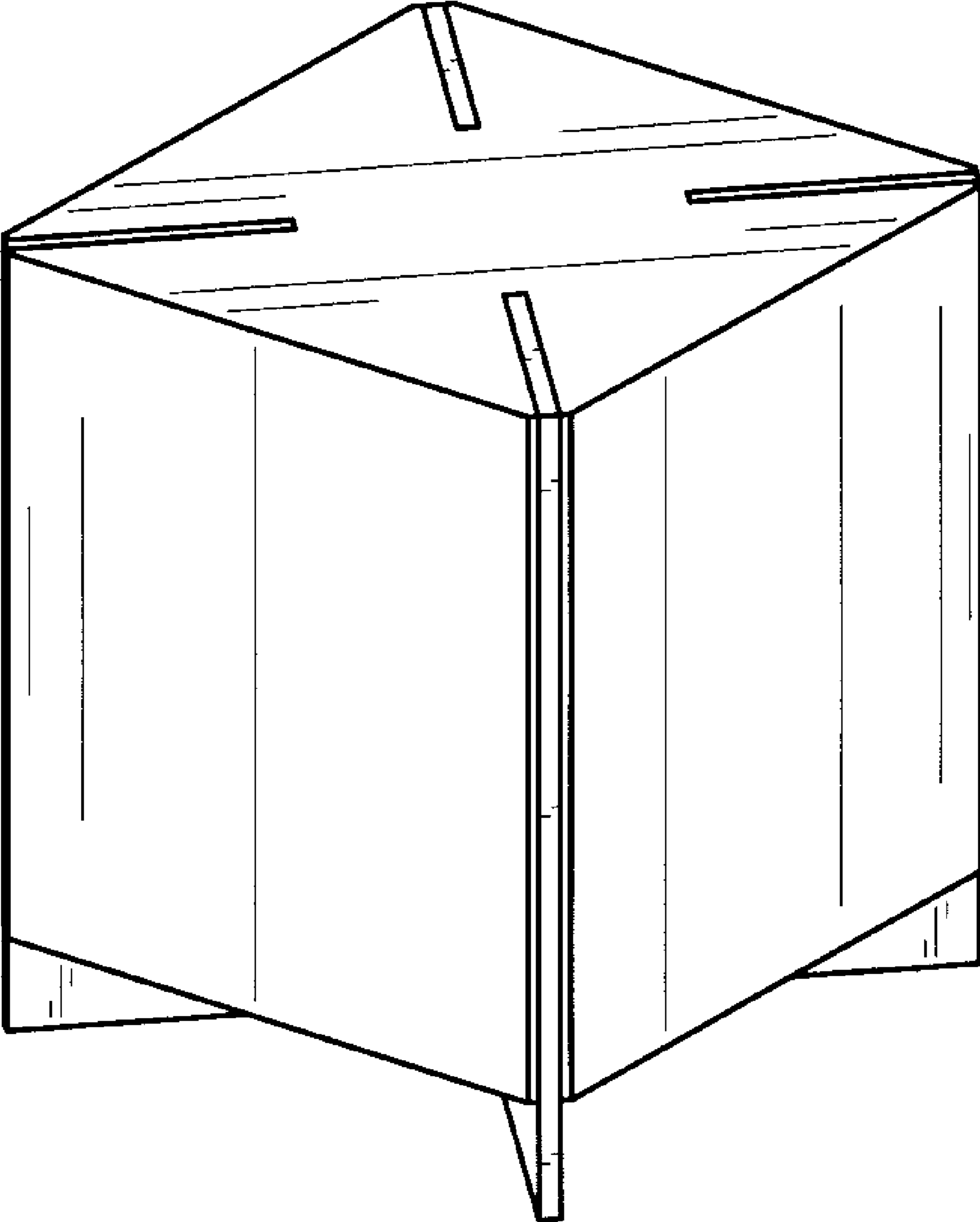


FIG. 1

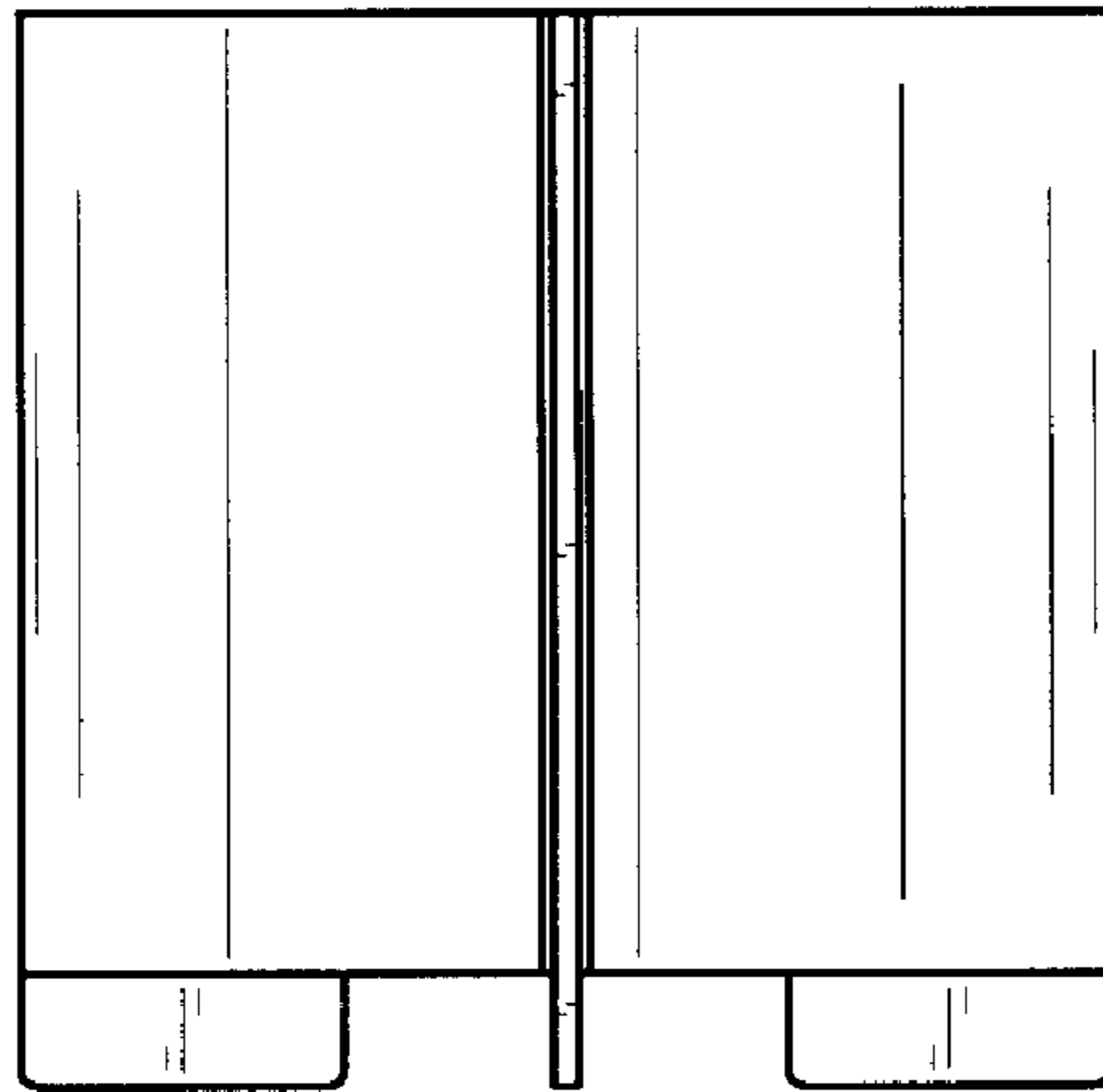


FIG. 2

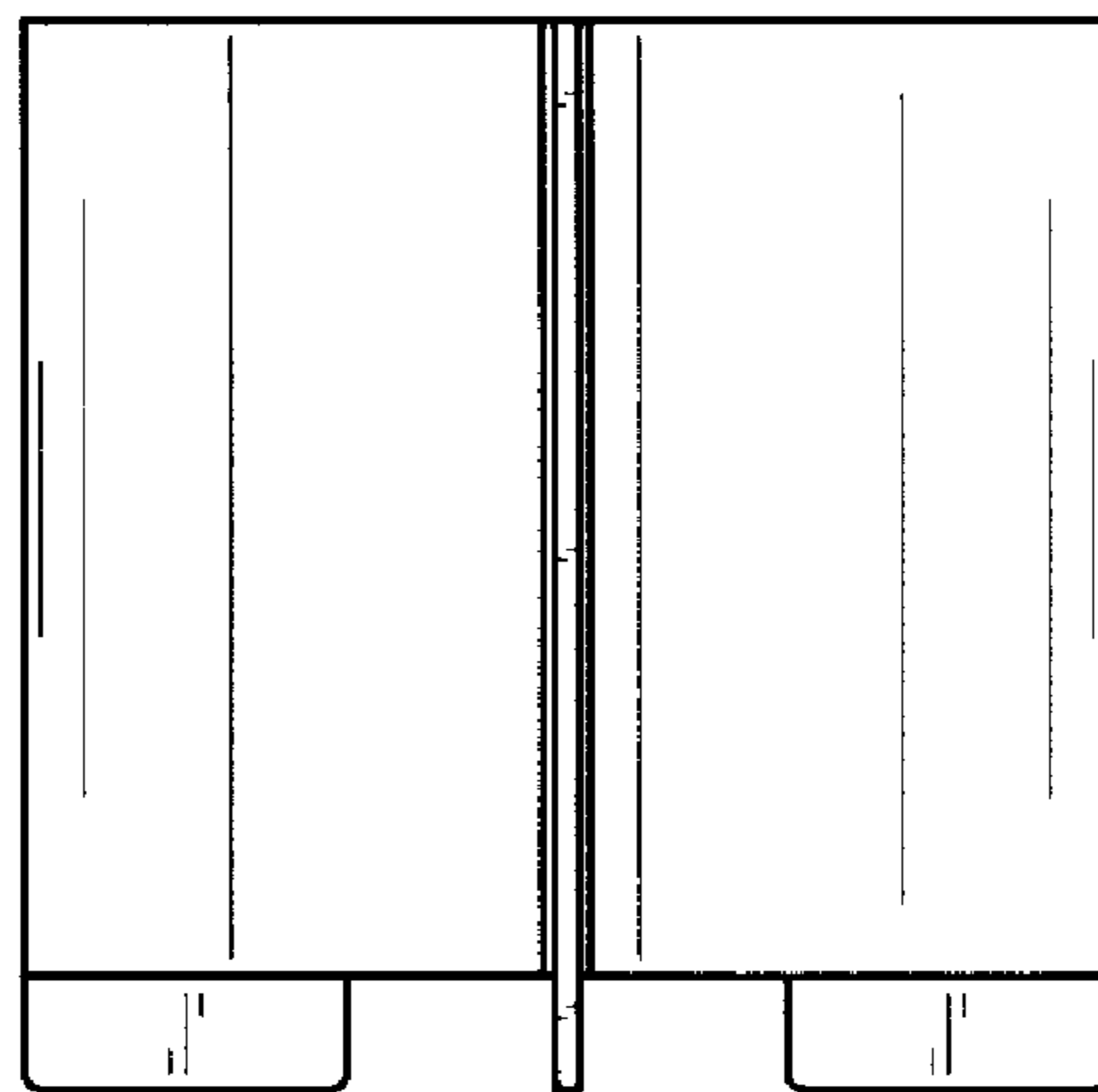


FIG. 3

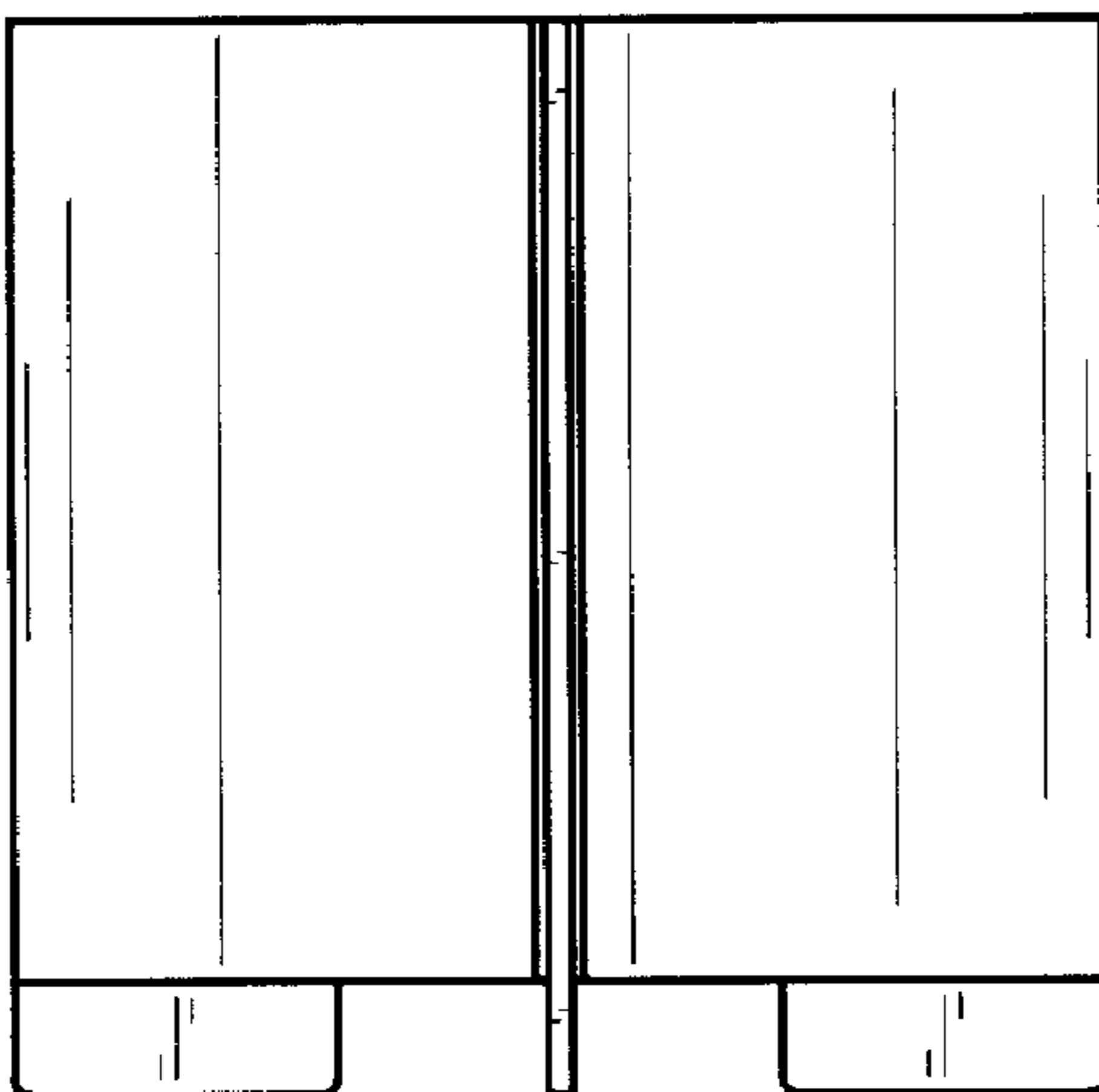


FIG. 4

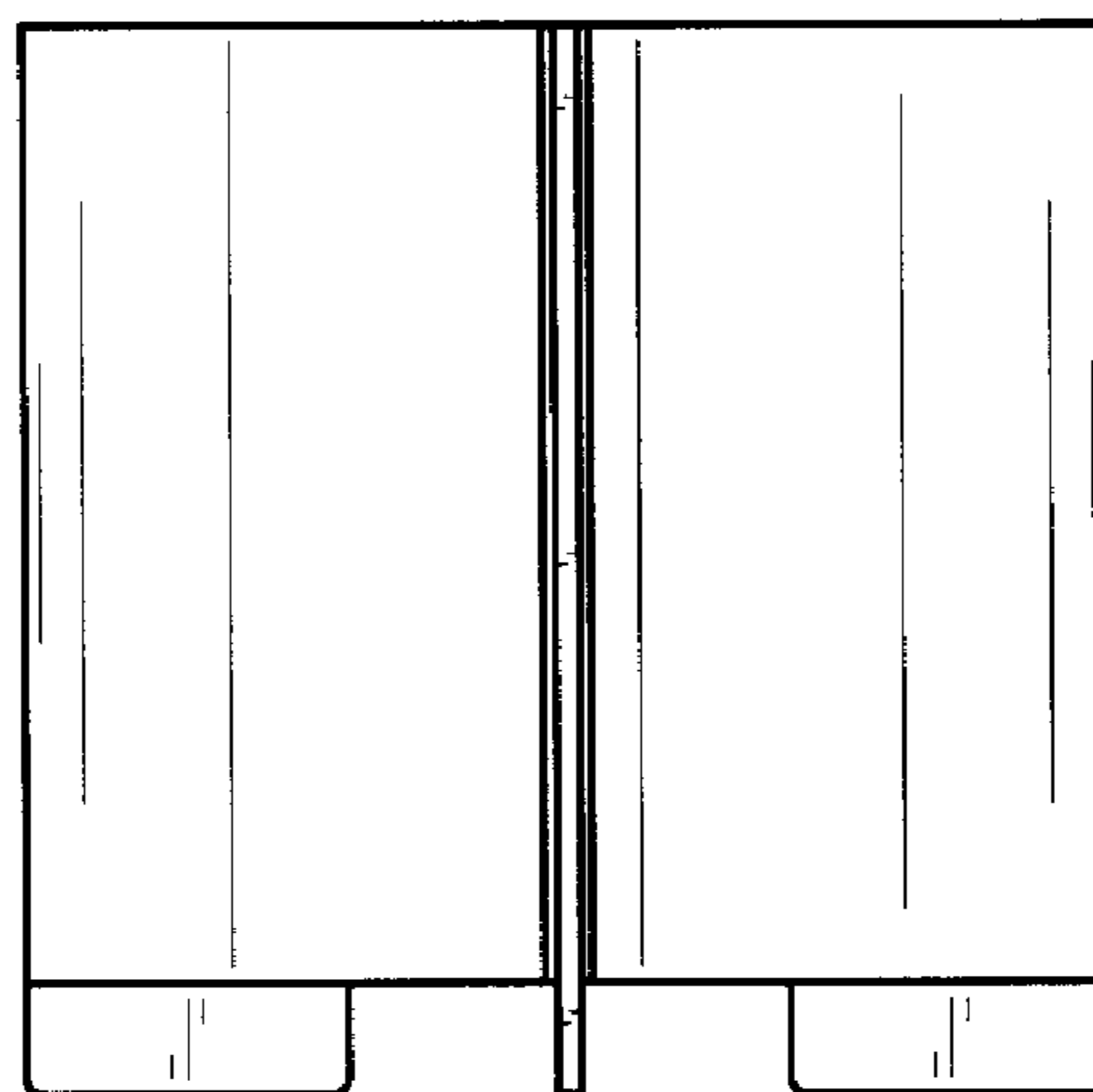


FIG. 5

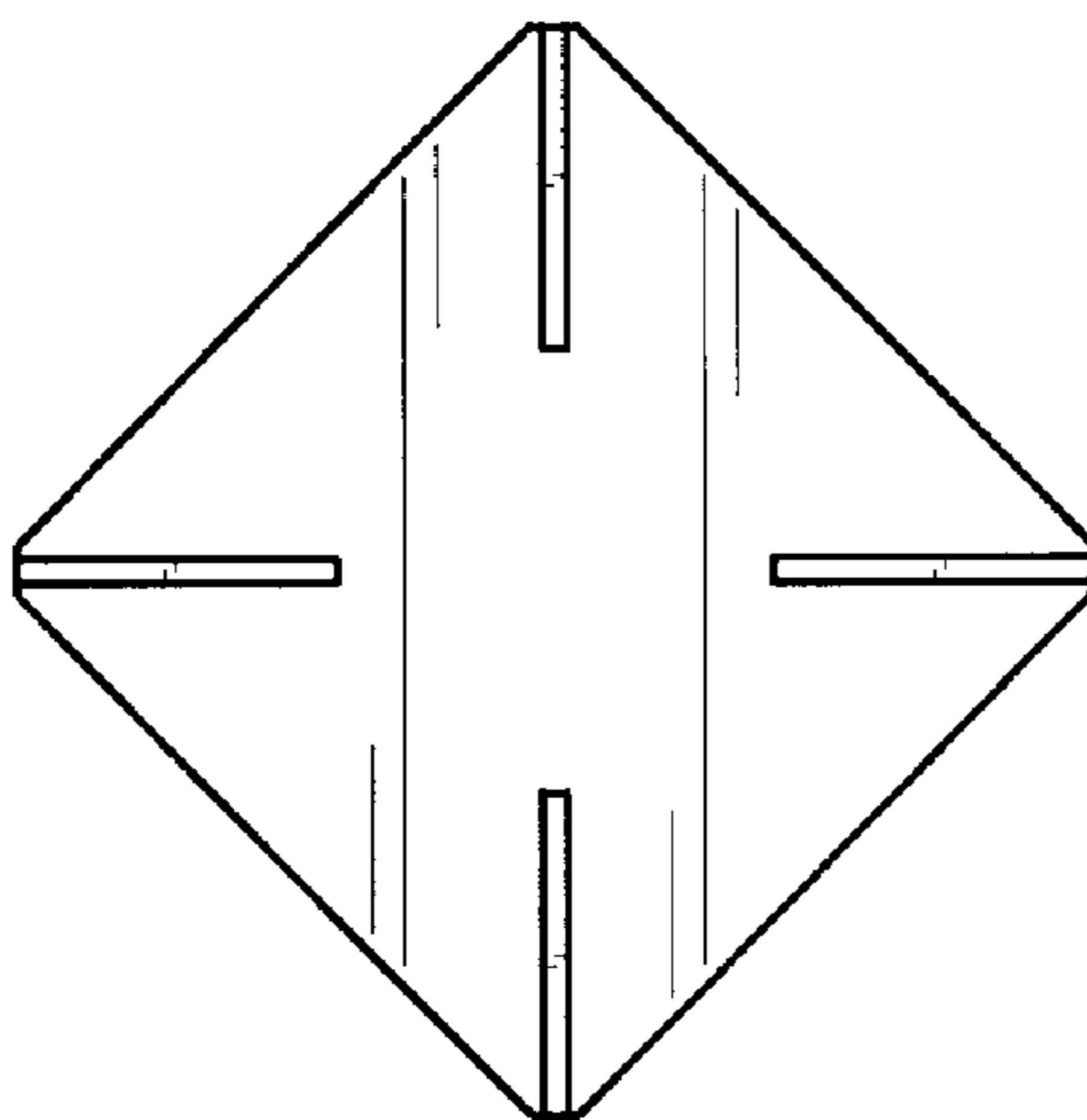


FIG. 6

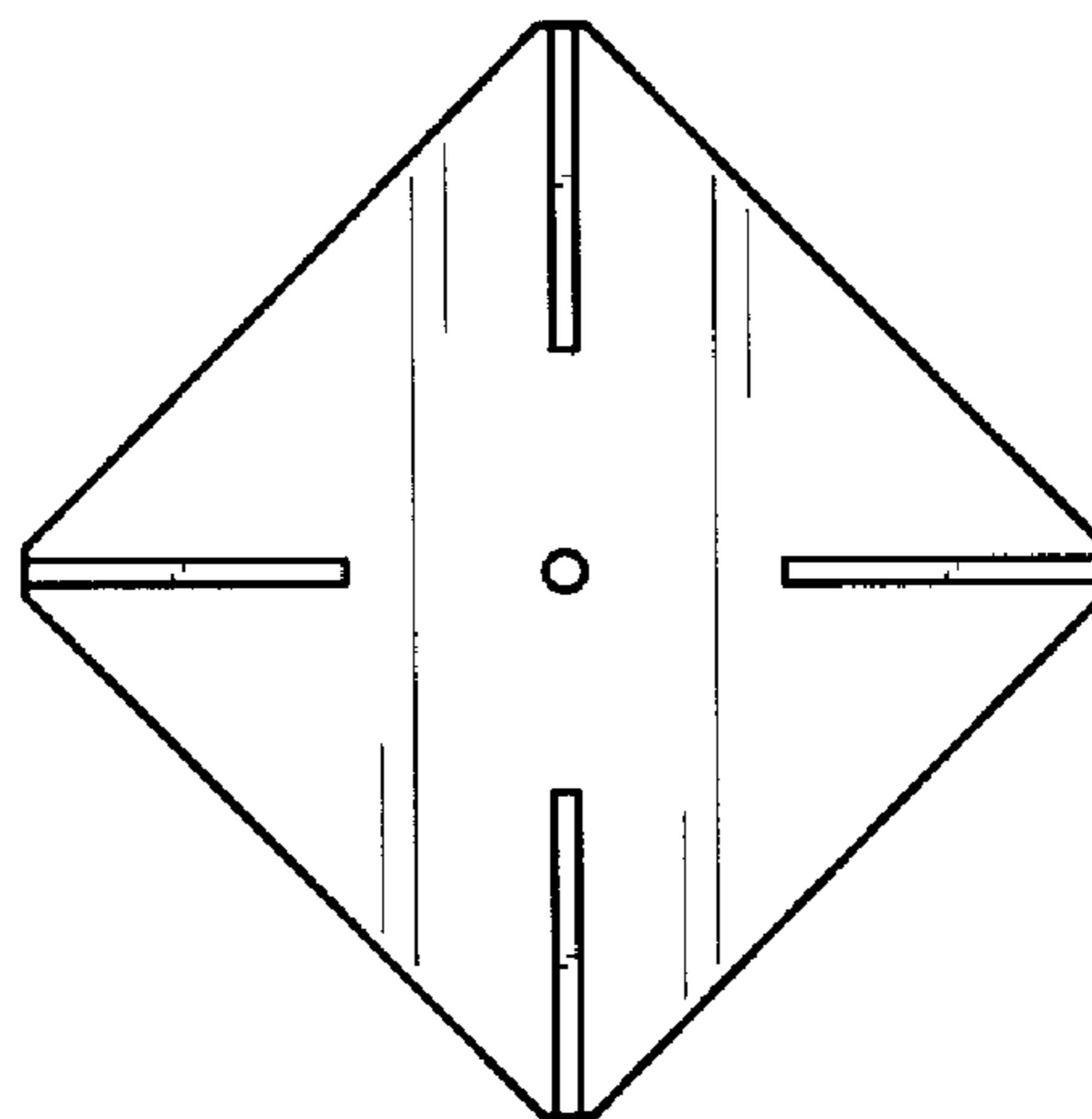


FIG. 7

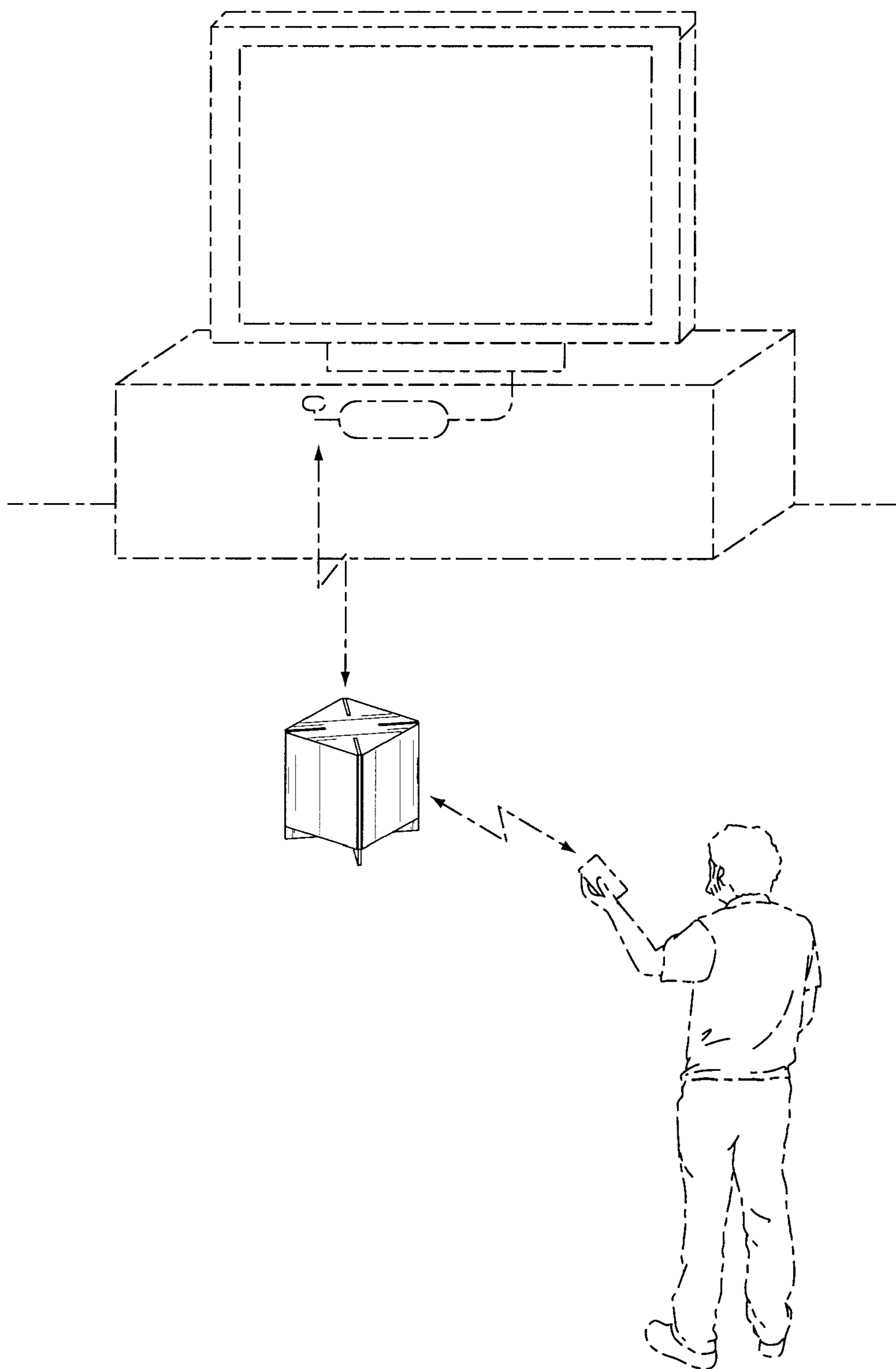


FIG. 8