



US00D600280S

(12) **United States Design Patent**  
**Weber et al.**

(10) **Patent No.:** **US D600,280 S**

(45) **Date of Patent:** **\*\* Sep. 15, 2009**

(54) **CASCADING PHOTO ALBUM**

(75) Inventors: **Linda Weber**, Lincolnwood, IL (US);  
**Anne O'Connor**, Lincolnwood, IL (US)

(73) Assignee: **Publication International, Ltd.**,  
Lincolnwood, IL (US)

(\*\*) Term: **14 Years**

(21) Appl. No.: **29/273,108**

(22) Filed: **Feb. 26, 2007**

(51) **LOC (9) Cl.** ..... **19-04**

(52) **U.S. Cl.** ..... **D19/26**

(58) **Field of Classification Search** ..... D19/26-33;  
D3/294, 299, 303; 40/530, 536, 537; 206/472;  
281/15.1, 29, 31, 22

See application file for complete search history.

(56) **References Cited**

**U.S. PATENT DOCUMENTS**

875,545 A	12/1907	MacDonald	
2,394,980 A *	2/1946	Byck	40/1
D159,614 S *	8/1950	Hersh	D19/26
2,902,996 A	9/1959	Callen	
3,596,393 A	8/1971	Lithgow	
3,633,301 A	1/1972	Calabuig	
3,735,516 A	5/1973	Wenstrom	
3,797,146 A	3/1974	Holes	
3,837,104 A	9/1974	Brotschi	
3,869,820 A	3/1975	Holson	
3,956,836 A	5/1976	Seaborn	
4,164,085 A *	8/1979	Steeb et al.	40/726
4,263,357 A	4/1981	Holson	
4,267,655 A	5/1981	Holson	
D262,461 S	12/1981	Holson	
D264,602 S	5/1982	Plutsky	
4,356,649 A	11/1982	Diamond et al.	
4,378,647 A	4/1983	Stancato	
D272,546 S	2/1984	Holson	
4,447,973 A	5/1984	Wihlke	
4,462,854 A	7/1984	Wenstrom et al.	
D276,243 S	11/1984	Brucoli	

4,514,919 A	5/1985	Plutsky	
D281,511 S	11/1985	Brucoli	
4,602,714 A	7/1986	Ozeki	
4,676,374 A	6/1987	Wilkins	
4,916,838 A	4/1990	Holson	
4,951,404 A *	8/1990	Lithwick	40/124.06
4,965,948 A	10/1990	Ruebens	
5,301,445 A	4/1994	Hoffmeister	
D373,599 S *	9/1996	Bernard	D19/26

(Continued)

**FOREIGN PATENT DOCUMENTS**

CA	740679	8/1966
GB	2030073	4/1980

*Primary Examiner*—Cathron C Brooks

*Assistant Examiner*—Austin Murphy

(74) *Attorney, Agent, or Firm*—Lerner, David, Littenberg,  
Krumholz & Mentlik, LLP

(57) **CLAIM**

The ornamental design for a cascading photo album, as shown and described.

**DESCRIPTION**

FIG. 1 is a perspective view of a cascading photo album in accordance with an embodiment of the present invention;

FIG. 2 is a front view of the cascading photo album of FIG. 1;

FIG. 3 is a top view of the cascading photo album of FIG. 1;

FIG. 4 is a right side view of the cascading photo album of FIG. 1;

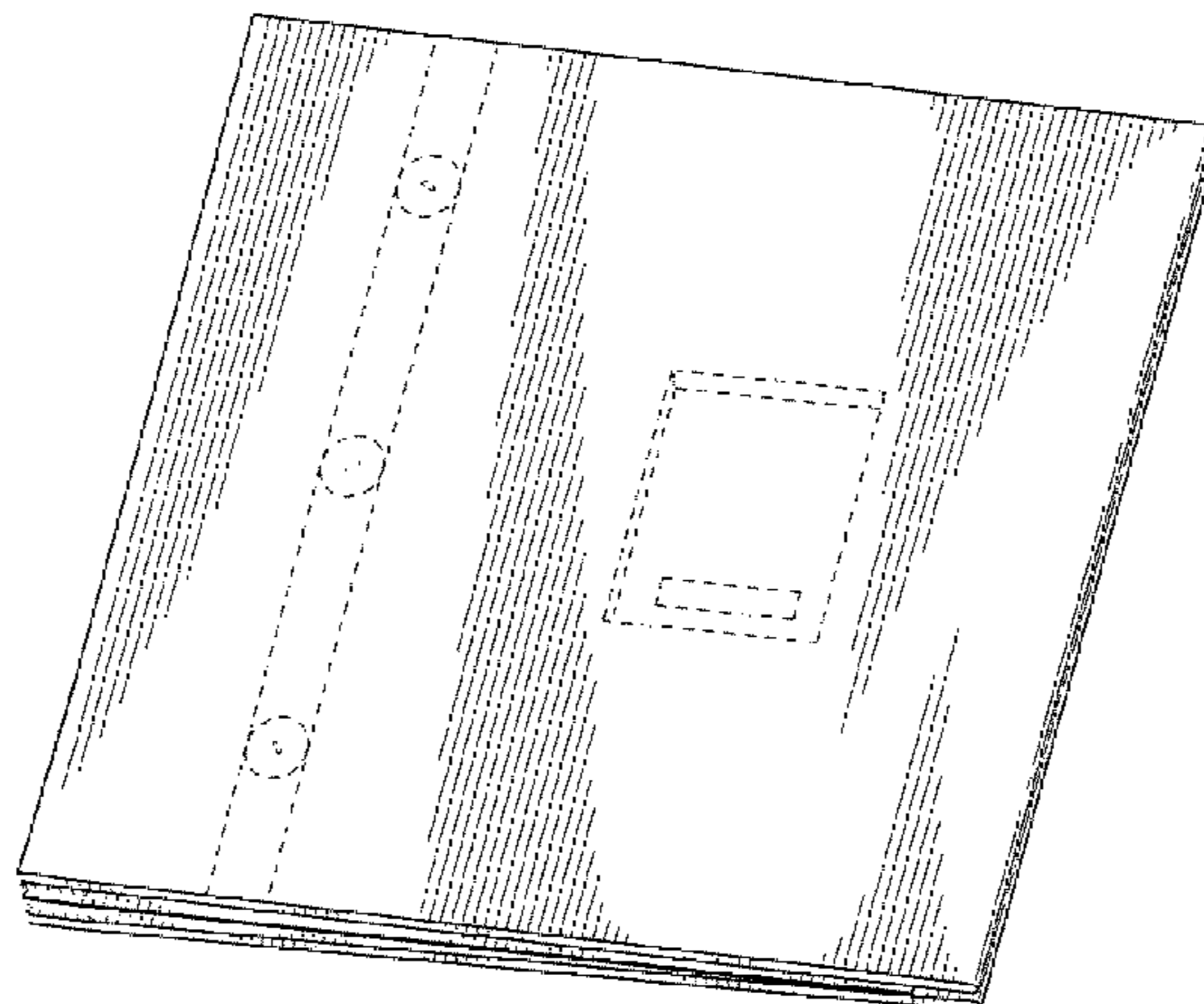
FIG. 5 is a left side view of the cascading photo album of FIG. 1;

FIG. 6 is a perspective view of a page of the cascading photo album of FIG. 1; and,

FIG. 7 is a perspective view of the page of FIG. 6 with a portion being cascaded.

The broken lines shown in the drawings depict unclaimed portions of the album and form no part of the claimed design.

**1 Claim, 5 Drawing Sheets**



# US D600,280 S

Page 2

---

## U.S. PATENT DOCUMENTS

D421,049 S *	2/2000	Candelaria et al. ....	D19/26	D505,975 S *	6/2005	Navarre .....	D19/26
6,253,475 B1	7/2001	Ruebens		D559,906 S *	1/2008	Sakaguchi .....	D19/26
D477,361 S *	7/2003	Park .....	D19/26	D573,636 S *	7/2008	Sakaguchi .....	D19/26
D500,517 S *	1/2005	Park .....	D19/31	2004/0119278 A1 *	6/2004	VanDeWalle et al. ....	281/21.1

\* cited by examiner

FIG. 1

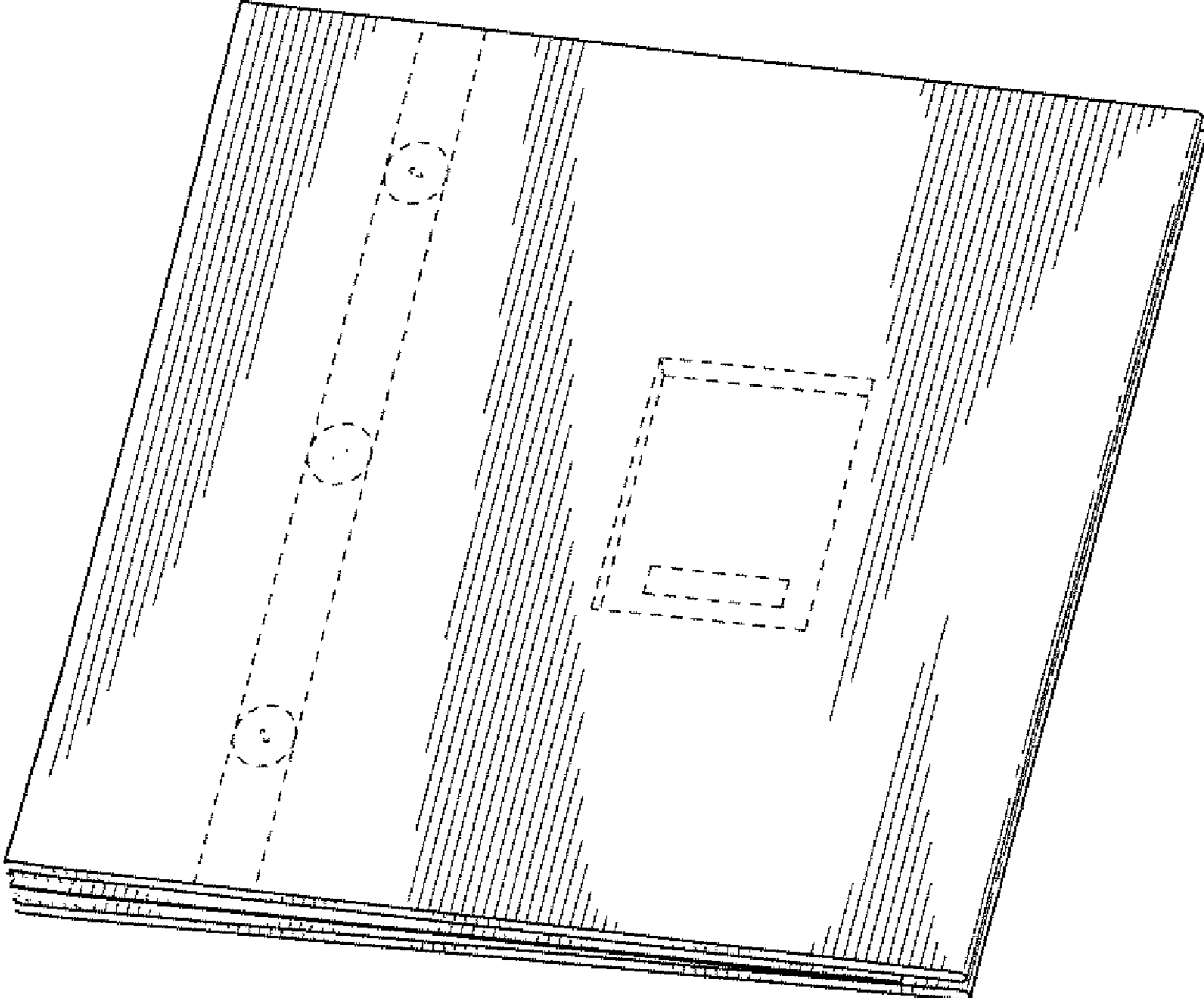


FIG. 2

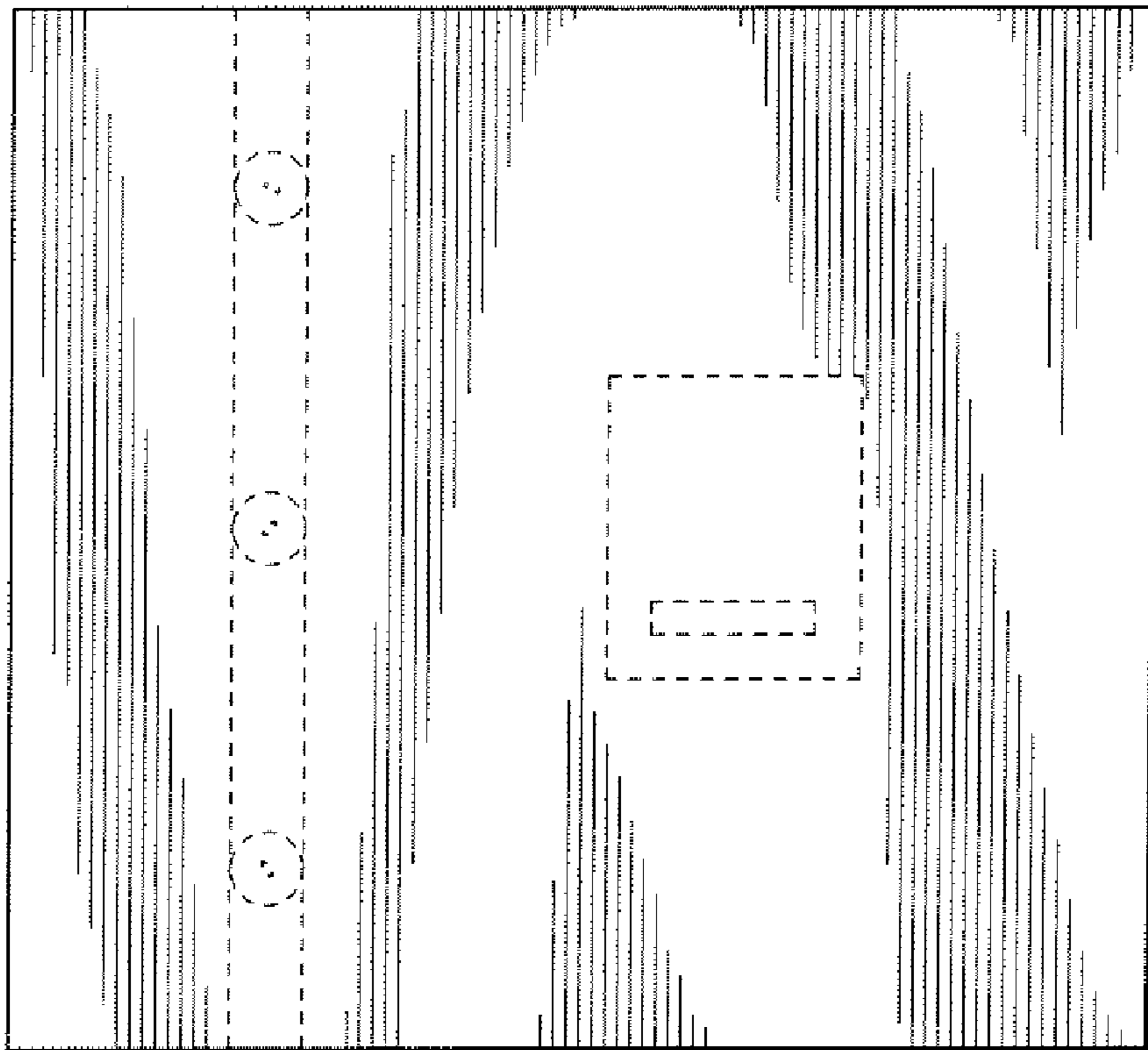


FIG. 3

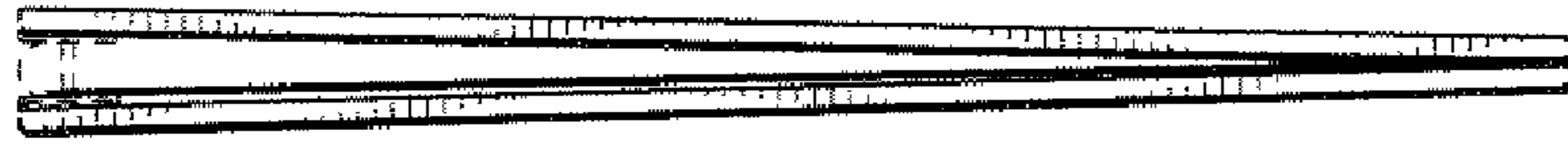
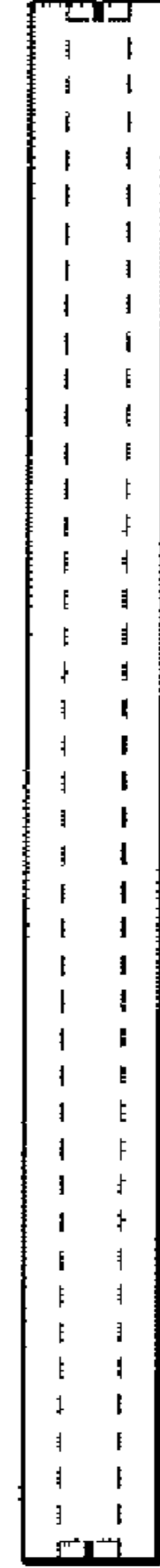


FIG. 4



FIG. 5





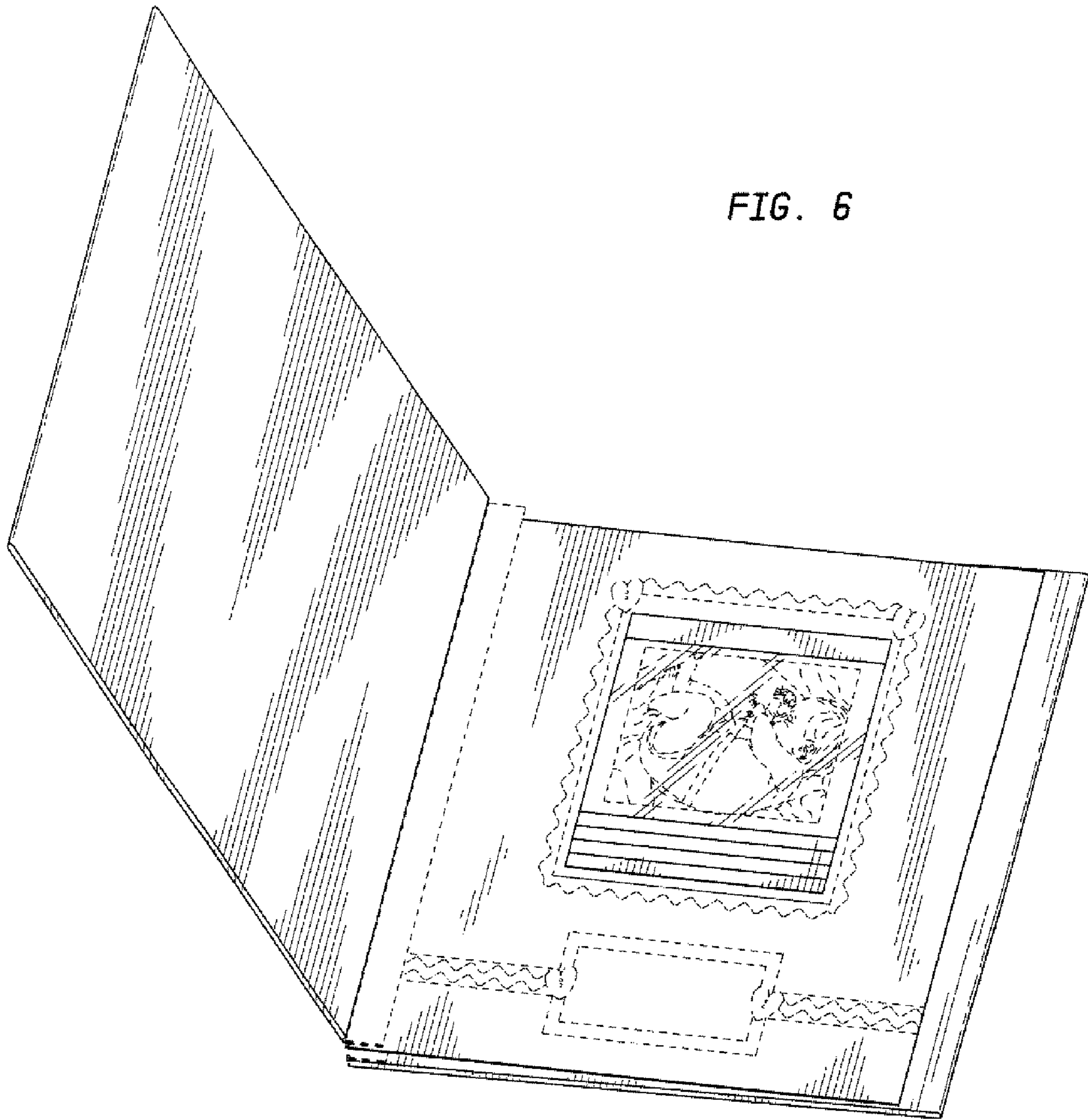


FIG. 6

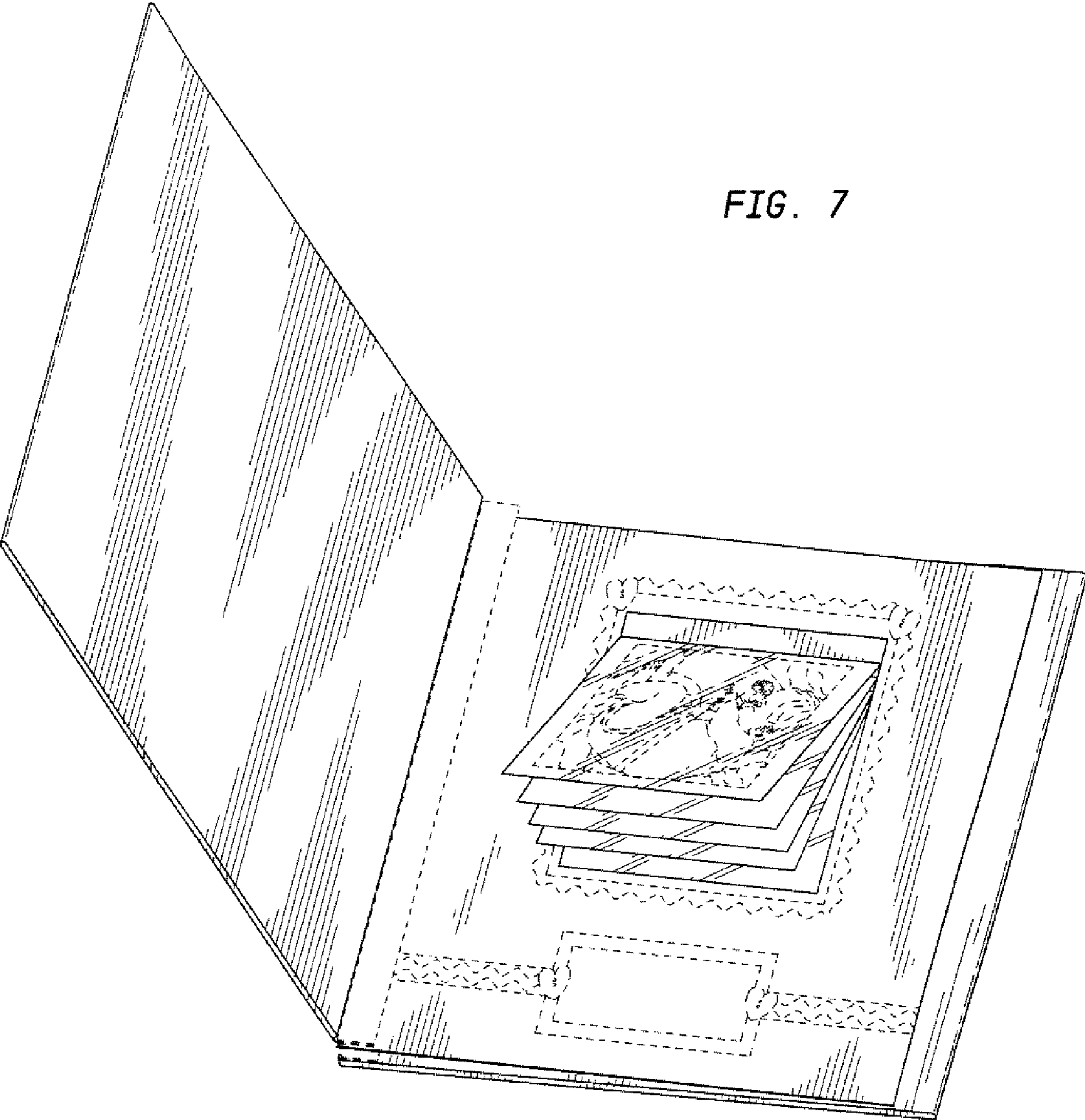


FIG. 7

UNITED STATES PATENT AND TRADEMARK OFFICE  
**CERTIFICATE OF CORRECTION**

PATENT NO. : Des. 600,280 S  
APPLICATION NO. : 29/273108  
DATED : September 15, 2009  
INVENTOR(S) : Linda Weber and Anne O'Connor

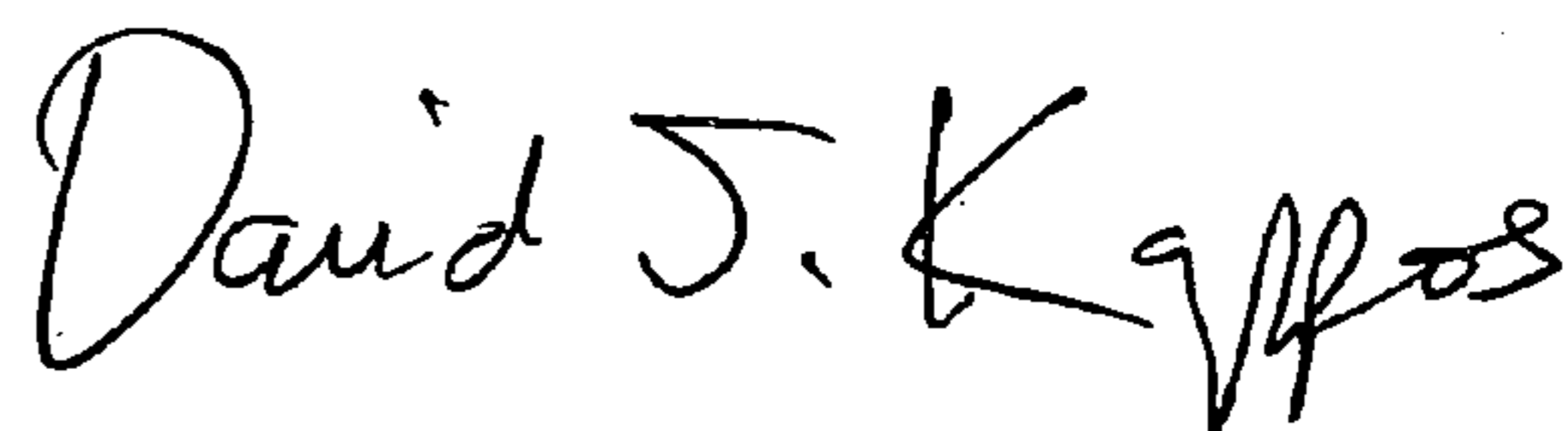
Page 1 of 1

It is certified that error appears in the above-identified patent and that said Letters Patent is hereby corrected as shown below:

Cover page, under (73) Assignee, "Publication" should read --Publications--.

Signed and Sealed this

Twelfth Day of October, 2010

A handwritten signature in black ink that reads "David J. Kappos". The signature is written in a cursive style with a large, stylized 'D' and 'K'.

David J. Kappos  
*Director of the United States Patent and Trademark Office*