



US00D600278S

(12) **United States Design Patent**
Hattori

(10) **Patent No.:** **US D600,278 S**

(45) **Date of Patent:** **** Sep. 15, 2009**

(54) **INK CARTRIDGE**

(75) Inventor: **Shingo Hattori**, Nagoya (JP)

(73) Assignee: **Brother Kogyo Kabushiki Kaisha**,
Nagoya-shi, Aichi-ken (JP)

(**) Term: **14 Years**

(21) Appl. No.: **29/318,792**

(22) Filed: **May 28, 2008**

(30) **Foreign Application Priority Data**

Nov. 30, 2007 (JP) 2007-33057

(51) **LOC (9) Cl.** **18-02**

(52) **U.S. Cl.** **D18/56; 347/86**

(58) **Field of Classification Search** D18/12,
D18/43, 56; 347/85-87

See application file for complete search history.

(56) **References Cited**

U.S. PATENT DOCUMENTS

D280,913 S	10/1985	Nibley et al.
D281,333 S	11/1985	Nibley et al.
D353,156 S	12/1994	Kaplinsky et al.
D379,638 S	6/1997	Cruden et al.
D383,488 S	9/1997	Sasaki
D390,257 S	2/1998	Dwyer et al.
D390,259 S	2/1998	Inoue et al.
D400,573 S	11/1998	Inoue et al.
D421,270 S	2/2000	Yamaguchi
D425,110 S	5/2000	Dietl et al.
D438,897 S	3/2001	Hatasa et al.
6,276,789 B1	8/2001	Miyazaki et al.
6,283,588 B1	9/2001	Brandon et al.
6,286,948 B1	9/2001	Wu et al.
6,293,649 B1	9/2001	Norton
D453,183 S	1/2002	Shinano et al.
D454,363 S	3/2002	Seino et al.
D462,089 S	8/2002	Trafton et al.

D462,383 S	9/2002	Trafton et al.
D462,384 S	9/2002	Sasaki et al.
D462,986 S	9/2002	Trafton et al.
D465,516 S	11/2002	Shinada et al.
D466,151 S	11/2002	Shinada et al.
D477,020 S	7/2003	Seino
D477,021 S	7/2003	Yu et al.
D477,841 S	7/2003	Shimizu et al.

(Continued)

OTHER PUBLICATIONS

U.S. Appl. No. 11/862,889, filed Sep. 27, 2007.

(Continued)

Primary Examiner—Cathy Anne MacCormac

(74) *Attorney, Agent, or Firm*—Baker Botts L.L.P.

(57) **CLAIM**

The ornamental design for an ink cartridge, as shown and described.

DESCRIPTION

FIG. 1 is a front, side perspective view of an ink cartridge showing my new design;

FIG. 2 is a rear, side perspective view thereof;

FIG. 3 is a front view thereof;

FIG. 4 is a rear view thereof;

FIG. 5 is a left-side view thereof;

FIG. 6 is a right-side view thereof;

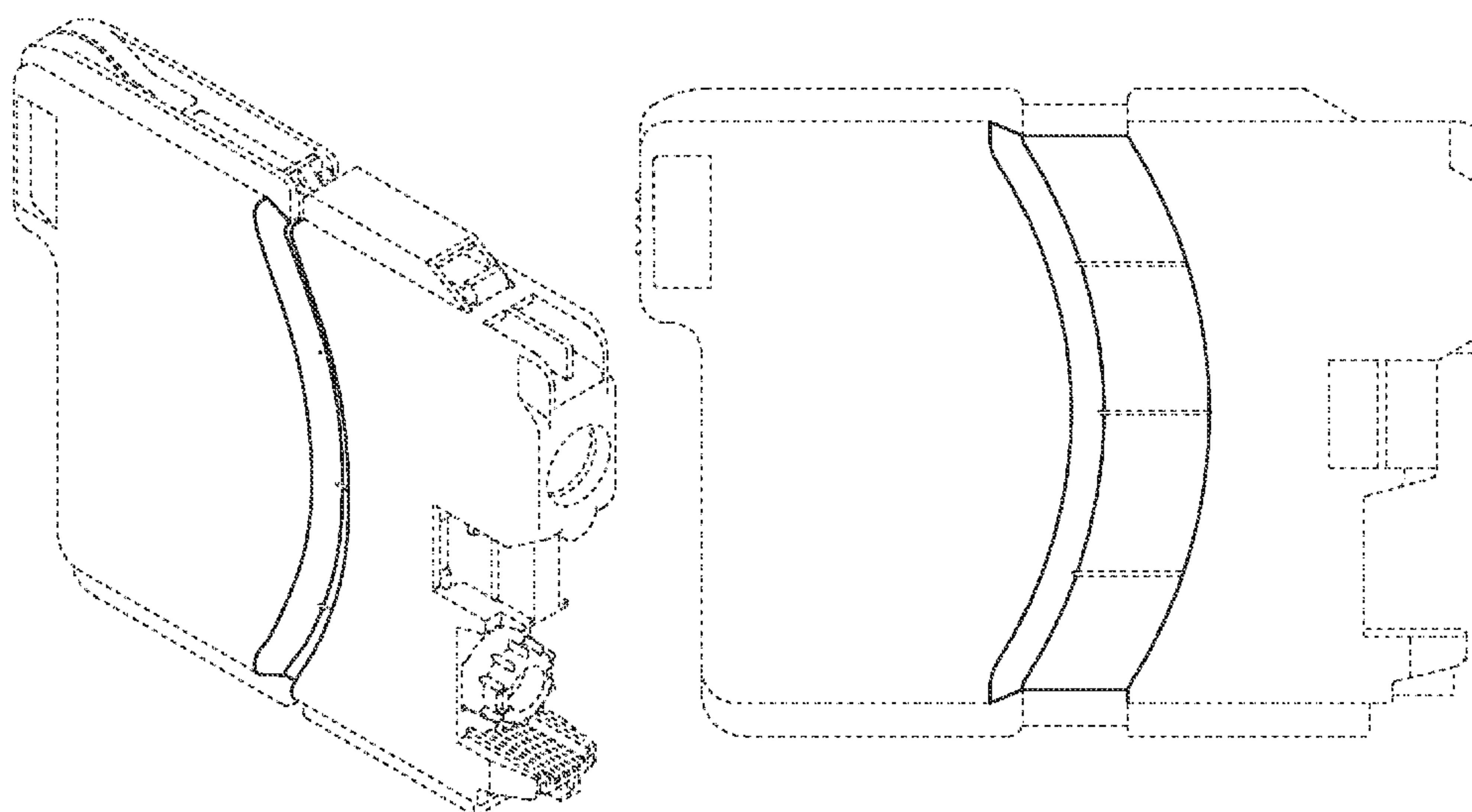
FIG. 7 is a top view thereof;

FIG. 8 is a bottom view thereof; and,

FIG. 9 is an additional left-side view thereof, shown in an expanded position.

The dashed line showing of structural lines is included for the purpose of illustrating non-claimed subject matter and forms no part of the claimed design.

1 Claim, 6 Drawing Sheets



US D600,278 S

U.S. PATENT DOCUMENTS

D478,344 S	8/2003	Kinoshita et al.	D543,236 S	5/2007	Hattori		
D478,345 S	8/2003	Kinoshita et al.	D547,370 S	7/2007	Hattori et al.		
6,722,762 B2	4/2004	Miyazawa et al.	7,244,018 B2	7/2007	Hashii et al.		
D489,756 S	5/2004	Matsumoto et al.	7,249,821 B2	7/2007	Sakai et al.		
D489,757 S	5/2004	Matsumoto	D549,280 S	8/2007	Morino		
D490,102 S	5/2004	Umeyama et al.	D549,773 S	8/2007	Sasaki et al.		
D491,221 S	6/2004	Umeyama et al.	7,287,843 B2	10/2007	Muranaka et al.		
D497,631 S	10/2004	Sasaki	D556,258 S	11/2007	Morino		
6,905,199 B2	6/2005	Miyazawa et al.	7,293,866 B2	11/2007	Miyazawa et al.		
D508,075 S	8/2005	Sasaki et al.	D557,334 S	12/2007	Morino		
6,955,422 B2	10/2005	Miyazawa et al.	D557,335 S	12/2007	Morino		
D517,597 S	3/2006	Andoh	D569,422 S	5/2008	Matsumoto		
D517,599 S	3/2006	Sasaki et al.	7,416,291 B1 *	8/2008	Hattori et al.	347/86
D518,517 S	4/2006	Sasaki et al.	7,445,321 B2 *	11/2008	Lengyel et al.	347/86
D518,518 S	4/2006	Sasaki et al.	2001/0038406 A1	11/2001	Shihoh et al.		
D518,853 S	4/2006	Sasaki et al.	2002/0085075 A1	7/2002	Shinada et al.		
D519,152 S	4/2006	Sasaki et al.	2002/0109760 A1	8/2002	Miyazawa et al.		
D519,153 S	4/2006	Sasaki et al.	2002/0154200 A1	10/2002	Miyazawa et al.		
D519,154 S	4/2006	Sasaki et al.	2002/0158948 A1	10/2002	Miyazawa et al.		
D519,554 S	4/2006	Sasaki et al.	2003/0085967 A1	5/2003	Ota et al.		
D519,557 S	4/2006	Sasaki et al.	2003/0085970 A1	5/2003	Sakai et al.		
D519,558 S	4/2006	Sasaki et al.	2004/0201655 A1	10/2004	Miyazawa et al.		
7,029,104 B2	4/2006	Sakai et al.	2004/0239736 A1	12/2004	Miyazawa et al.		
D520,056 S	5/2006	Sasaki et al.	2005/0036015 A1	2/2005	Seino et al.		
D520,560 S	5/2006	Sasaki et al.	2005/0052511 A1	3/2005	Seino et al.		
D521,549 S	5/2006	Sasaki et al.	2006/0139423 A1	6/2006	Sakai et al.		
D522,049 S	5/2006	Ishizawa et al.	2006/0152564 A1	7/2006	Hashii et al.		
D522,050 S	5/2006	Sasaki et al.	2007/0070147 A1	3/2007	Hattori et al.		
D522,051 S	5/2006	Sasaki et al.	2007/0132820 A1	6/2007	Sato		
D524,855 S	7/2006	Ishizawa et al.	2007/0182793 A1	8/2007	Miyazawa et al.		
D525,652 S	7/2006	Hegge	2007/0229629 A1	10/2007	Miyazawa et al.		
D526,009 S	8/2006	Sasaki et al.	2008/0002007 A1	1/2008	Silverbrook		
D527,418 S	8/2006	Sasaki et al.	2008/0024572 A1	1/2008	Kimura et al.		
7,083,272 B2	8/2006	Silverbrook	2008/0036834 A1	2/2008	Usui et al.		
D528,598 S	9/2006	Ishizawa et al.	2008/0129805 A1	6/2008	Yano		
D529,954 S	10/2006	Matsumoto	2008/0180496 A1	7/2008	Hattori et al.		
D531,664 S	11/2006	Hegge	2008/0180497 A1	7/2008	Hattori et al.		
D536,374 S	2/2007	Shinada et al.	2008/0180498 A1	7/2008	Hattori et al.		
D538,336 S	3/2007	Hattori et al.	2008/0180499 A1	7/2008	Sugahara et al.		
D538,337 S	3/2007	Hattori et al.	2009/0058961 A1 *	3/2009	Kanbe	347/86
D538,338 S	3/2007	Matsumoto					
D539,341 S	3/2007	Hattori et al.					
D540,379 S	4/2007	Hattori et al.					
D540,855 S	4/2007	Umezawa et al.					
D540,856 S	4/2007	Hattori					
D540,857 S	4/2007	Hattori					
D541,333 S	4/2007	Hattori et al.					
D541,334 S	4/2007	Hattori et al.					
D541,336 S	4/2007	Hattori					
D541,337 S	4/2007	Hattori					
D541,851 S	5/2007	Hattori et al.					
D541,852 S	5/2007	Hattori et al.					
D542,341 S	5/2007	Hattori et al.					
D542,342 S	5/2007	Hattori et al.					
D542,343 S	5/2007	Hattori et al.					
D542,839 S	5/2007	Hattori et al.					
D543,234 S	5/2007	Hattori et al.					
D543,235 S	5/2007	Hattori et al.					

OTHER PUBLICATIONS

- U.S. Appl. No. 11/862,976, filed Sep. 27, 2007.
- U.S. Appl. No. 12/055,202, filed Mar. 25, 2008 as a CIP of 11/863,147.
- U.S. Appl. No. 11/957,264, filed Dec. 14, 2007.
- U.S. Appl. No. 11/957,278, filed Dec. 14, 2007.
- U.S. Appl. No. 11/959,387, filed Dec. 18, 2007.
- U.S. Appl. No. 11/961,118, filed Dec. 20, 2007.
- U.S. Appl. No. 11/961,222, filed Dec. 20, 2007.
- U.S. Appl. No. 11/965,347, filed Dec. 27, 2007.
- U.S. Appl. No. 11/965,418, filed Dec. 27, 2007.
- U.S. Appl. No. 11/965,455, filed Dec. 27, 2007.
- U.S. Appl. No. 11/970,475, filed Jan. 7, 2008.
- U.S. Appl. No. 11/970,491, filed Jan. 7, 2008.
- U.S. Appl. No. 12.021,137, filed Jan. 28, 2008.
- U.S. Appl. No. 12/023,228, filed Jan. 31, 2008.

* cited by examiner

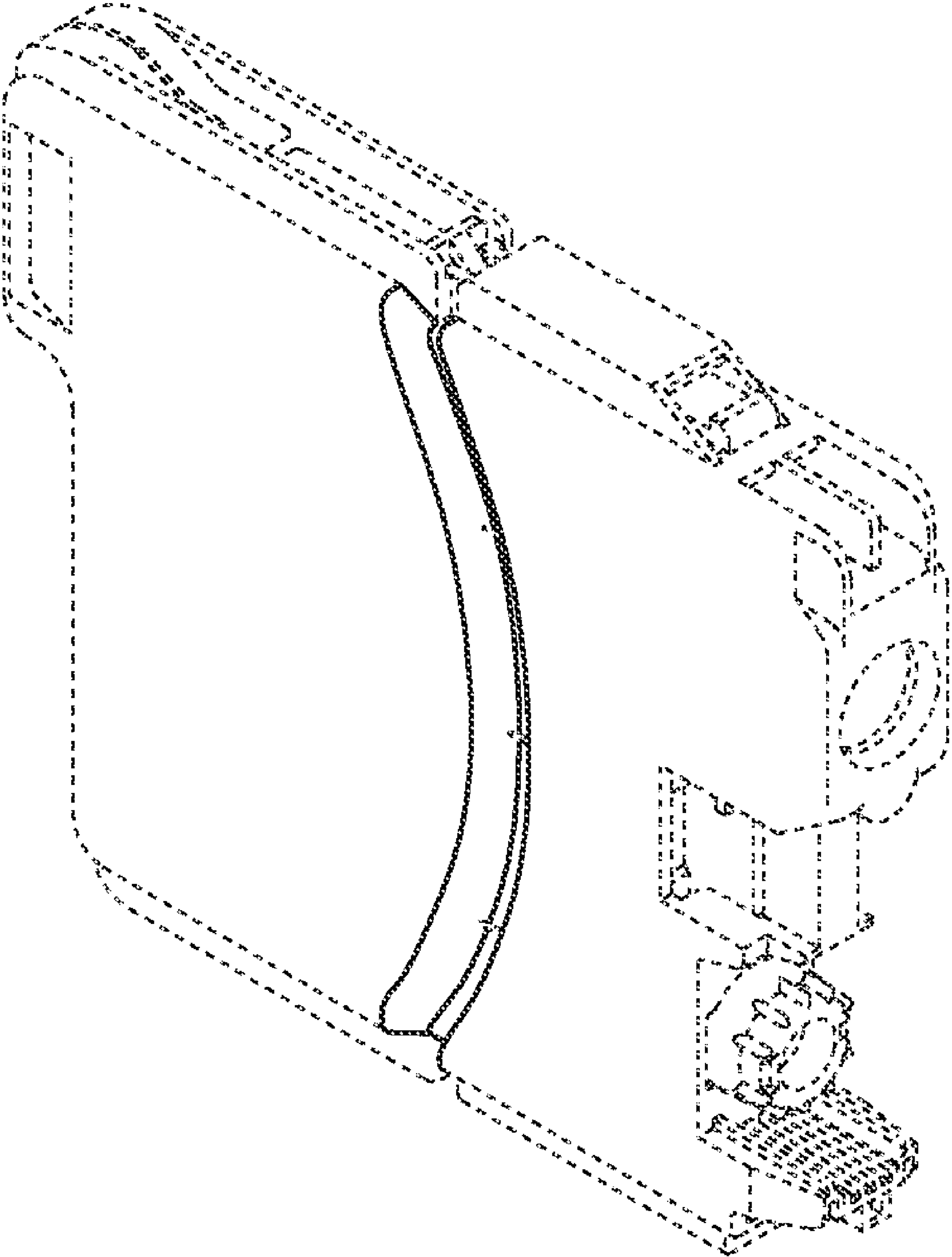


Fig. 1

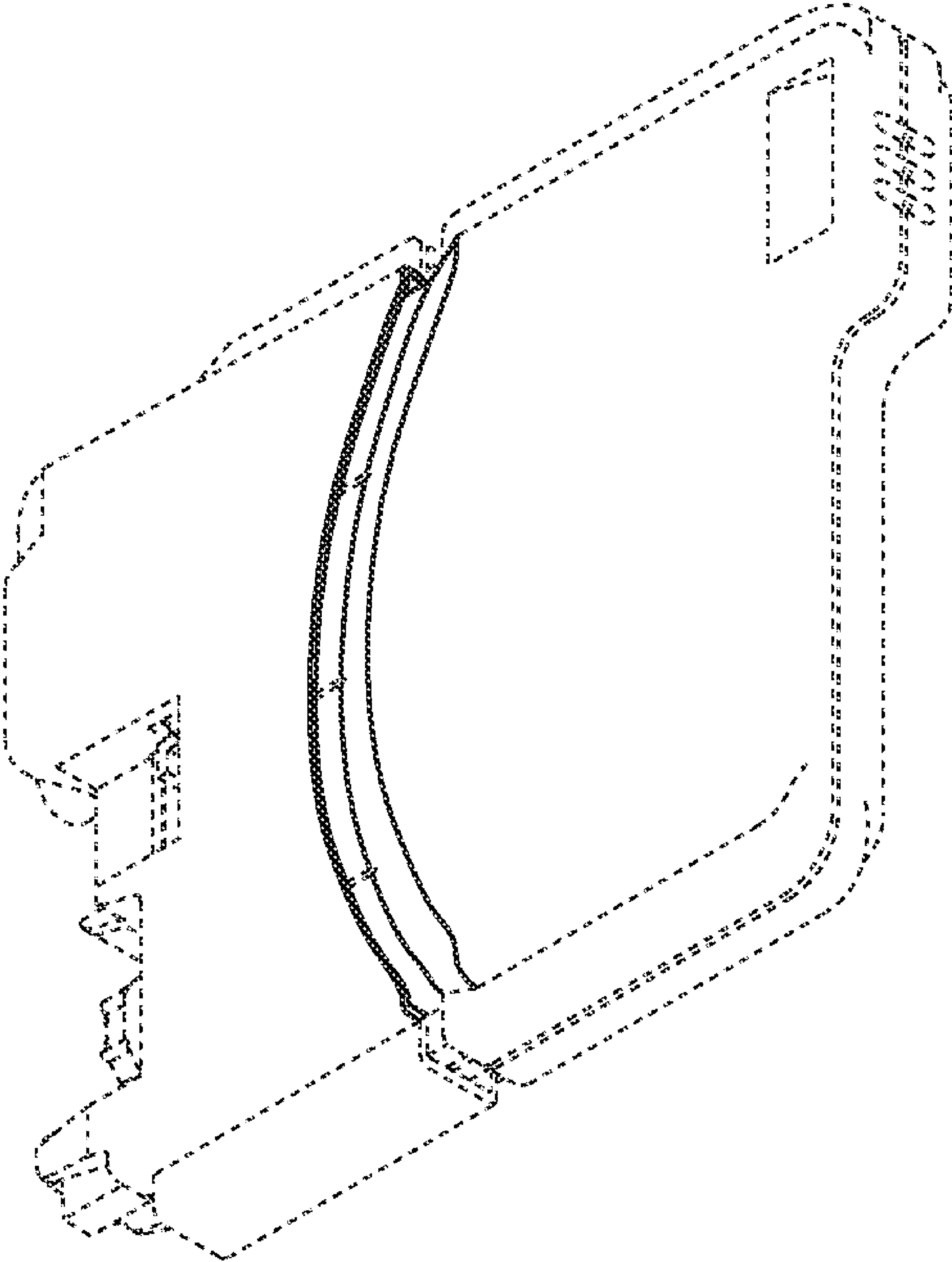


Fig. 2

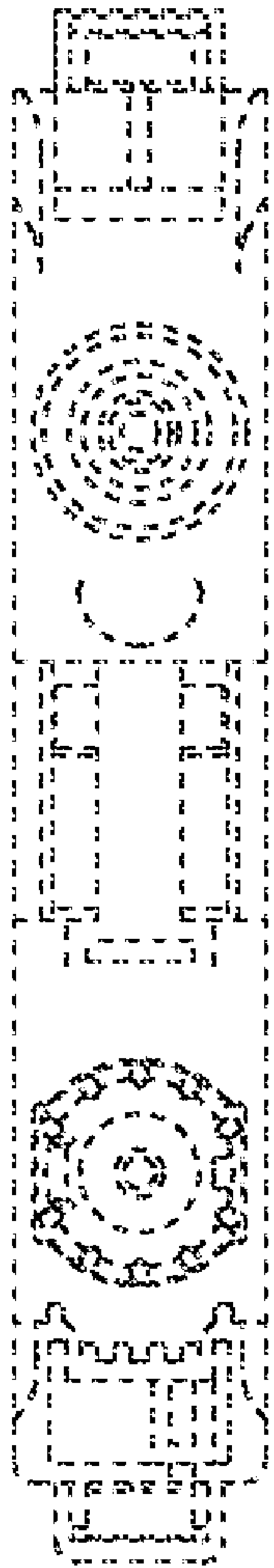


Fig. 3

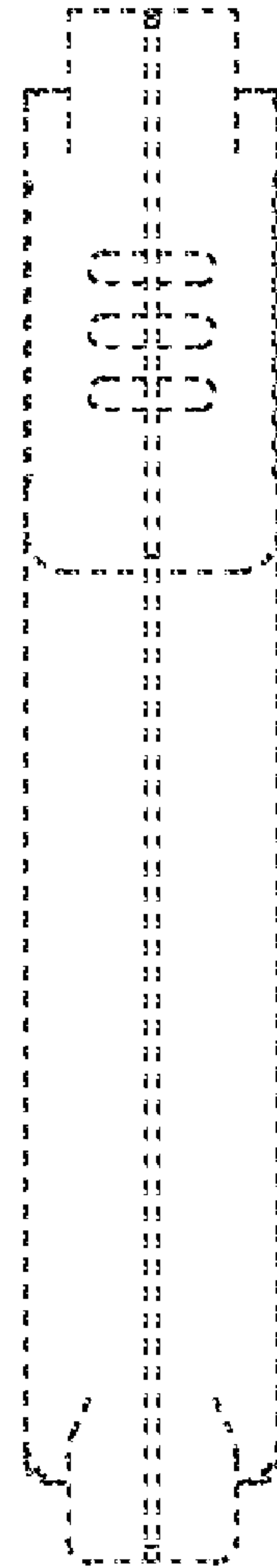


Fig. 4

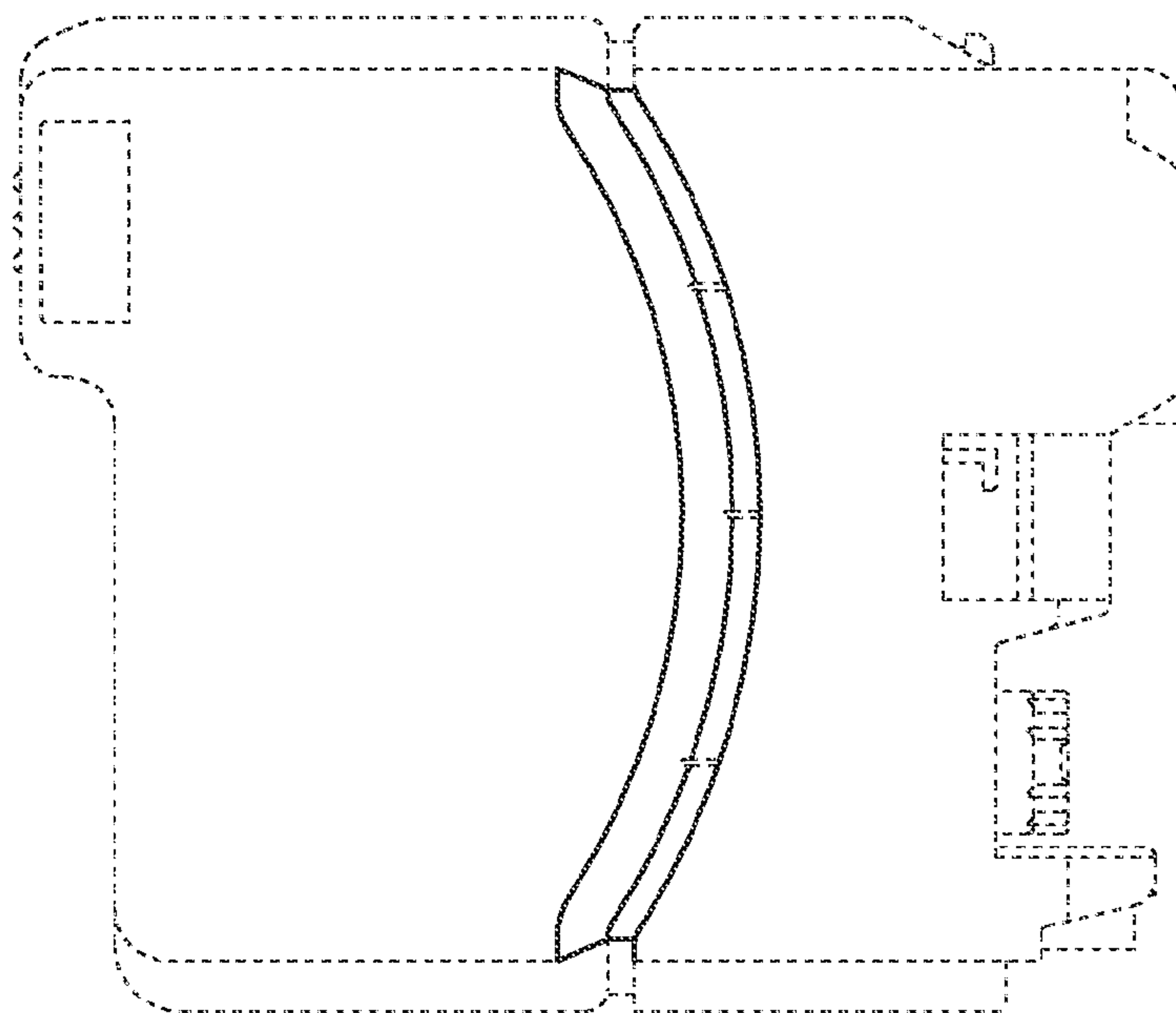


Fig. 5

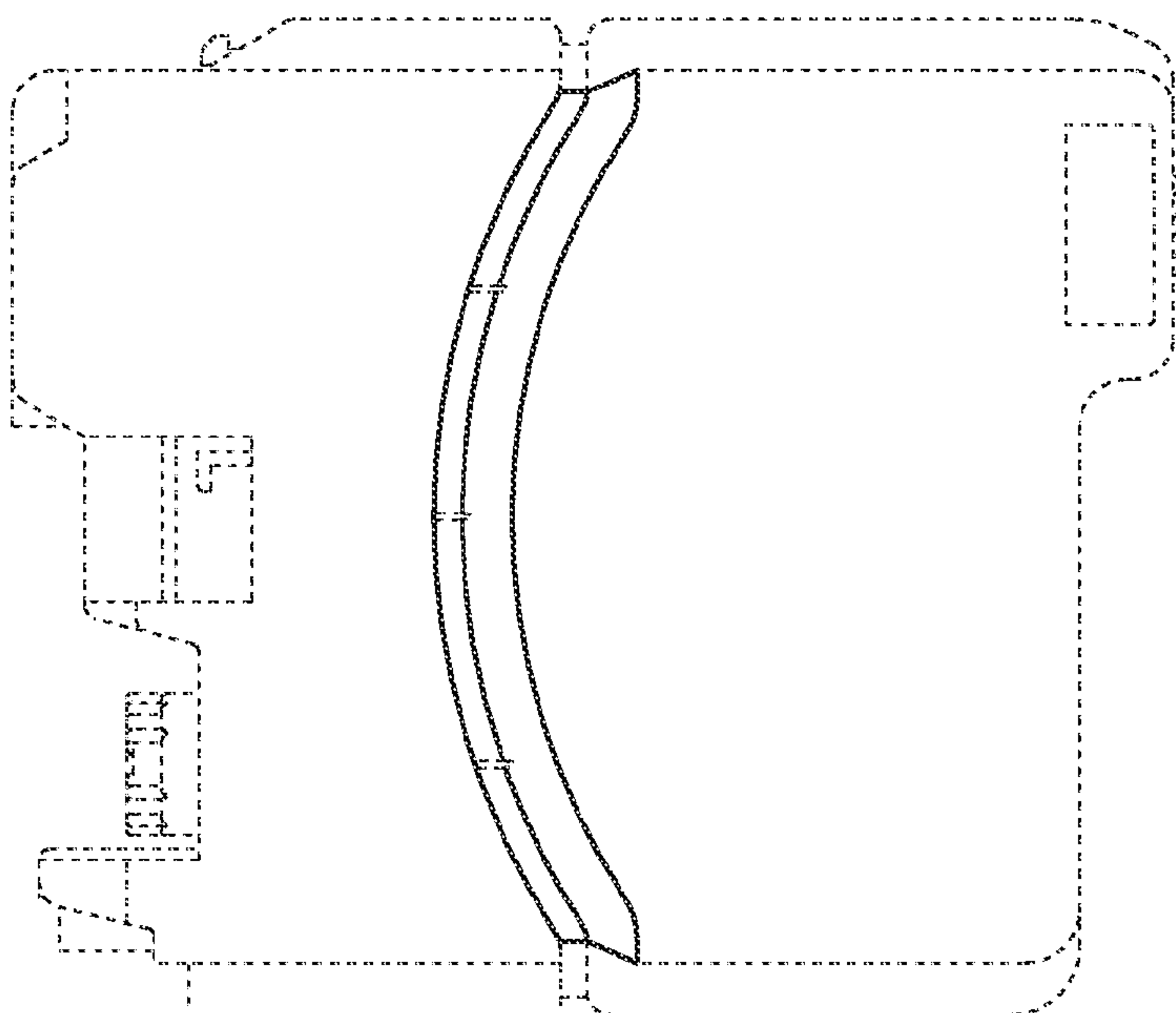


Fig. 6

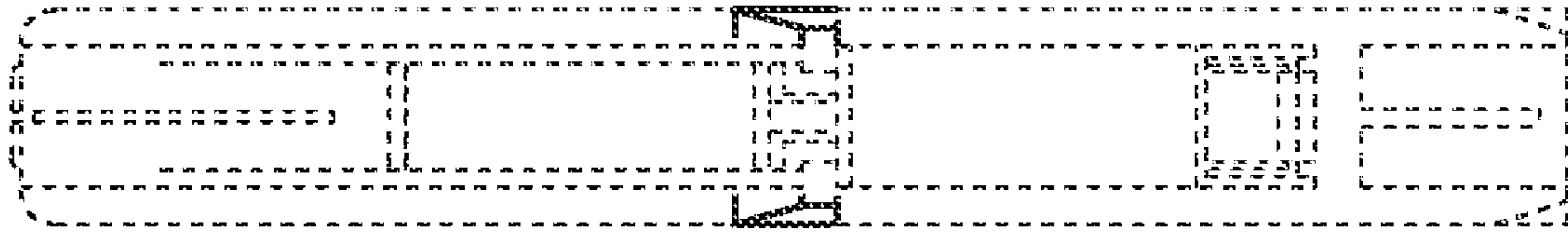


Fig. 7

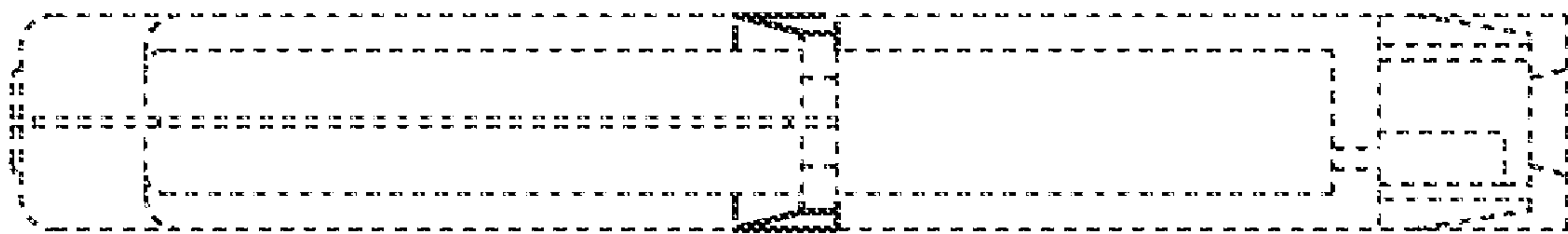


Fig. 8

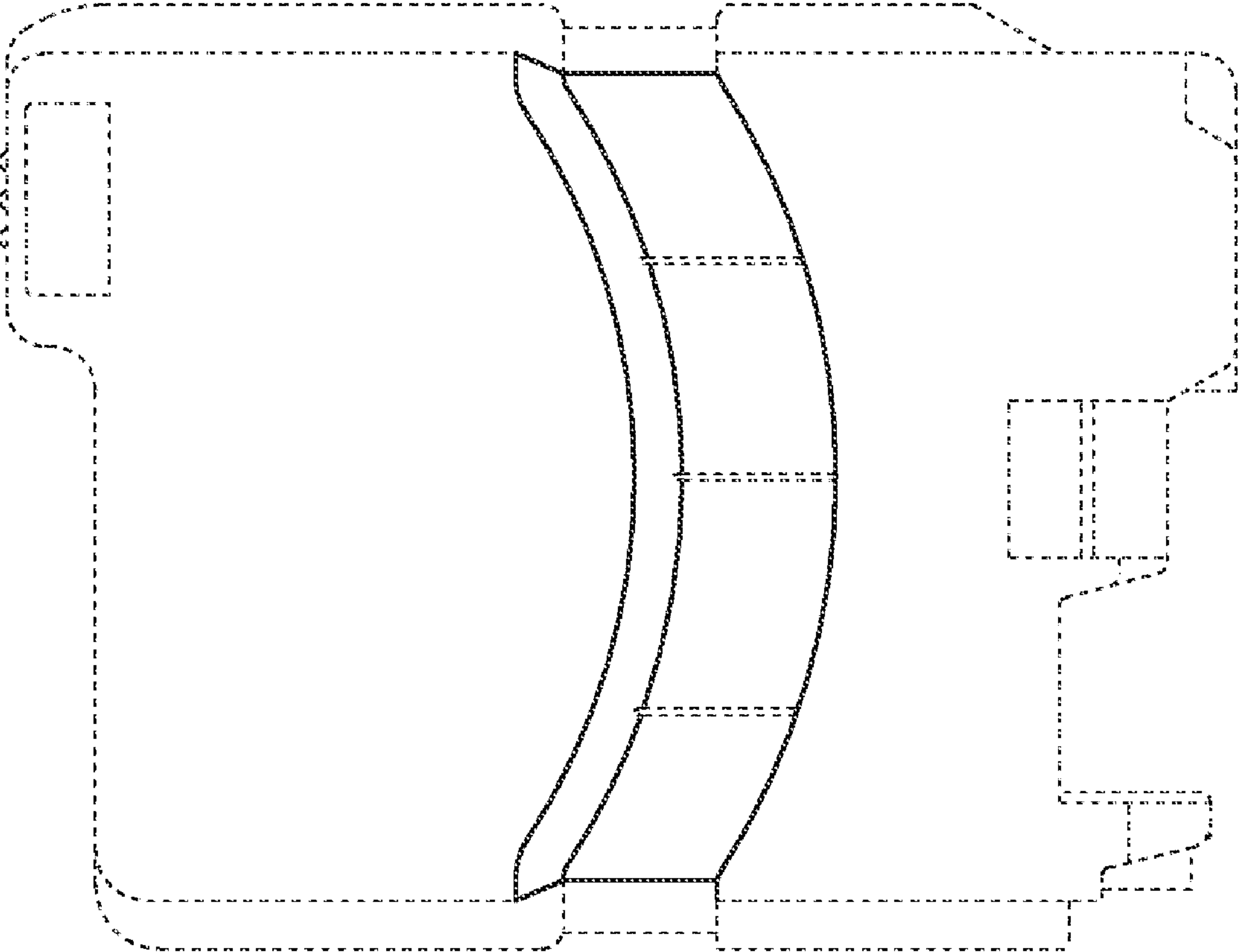


Fig. 9