



US00D600277S

(12) **United States Design Patent**
Hisatsune

(10) **Patent No.:** **US D600,277 S**

(45) **Date of Patent:** **** Sep. 15, 2009**

(54) **PRINTER**

(75) Inventor: **Toshiyuki Hisatsune**, Tokyo (JP)

(73) Assignee: **Sony Corporation**, Tokyo (JP)

(**) Term: **14 Years**

(21) Appl. No.: **29/300,462**

(22) Filed: **Mar. 28, 2008**

(51) **LOC (9) Cl.** **14-02**

(52) **U.S. Cl.** **D18/55**

(58) **Field of Classification Search** D18/36-39,
D18/19, 50, 54, 54.1, 55; D14/420-425,
D14/463-470; 400/613, 613.1-613.4, 690.1-690.4,
400/691-694

See application file for complete search history.

(56) **References Cited**

U.S. PATENT DOCUMENTS

D379,196 S *	5/1997	Laidlaw	D18/55
D391,603 S	3/1998	Ikenaga		
D421,455 S *	3/2000	Kobayashi et al.	D18/54
D439,276 S *	3/2001	Kemmochi et al.	D18/55
D501,024 S *	1/2005	Suzuki et al.	D18/55
D520,055 S *	5/2006	Katayama	D18/55
D521,060 S *	5/2006	Katayama	D18/55
D521,546 S	5/2006	Katayama		

D525,294 S	7/2006	Katayama et al.	
D529,080 S	9/2006	Katayama	
D530,361 S	10/2006	Chambers	
D533,586 S	12/2006	Nakamura et al.	
D534,209 S	12/2006	Yamaguchi	
D534,579 S	1/2007	Yamaguchi	
D535,325 S	1/2007	Yamaguchi	
D544,906 S *	6/2007	Alfonso et al. D18/55

* cited by examiner

Primary Examiner—Cathy Anne MacCormac
(74) *Attorney, Agent, or Firm*—Rader, Fishman & Grauer, PLLC

(57) **CLAIM**

The ornamental design for a printer, as shown.

DESCRIPTION

FIG. 1 is a perspective view of a printer showing my new design;

FIG. 2 is a front elevational view thereof;

FIG. 3 is a rear elevational view thereof;

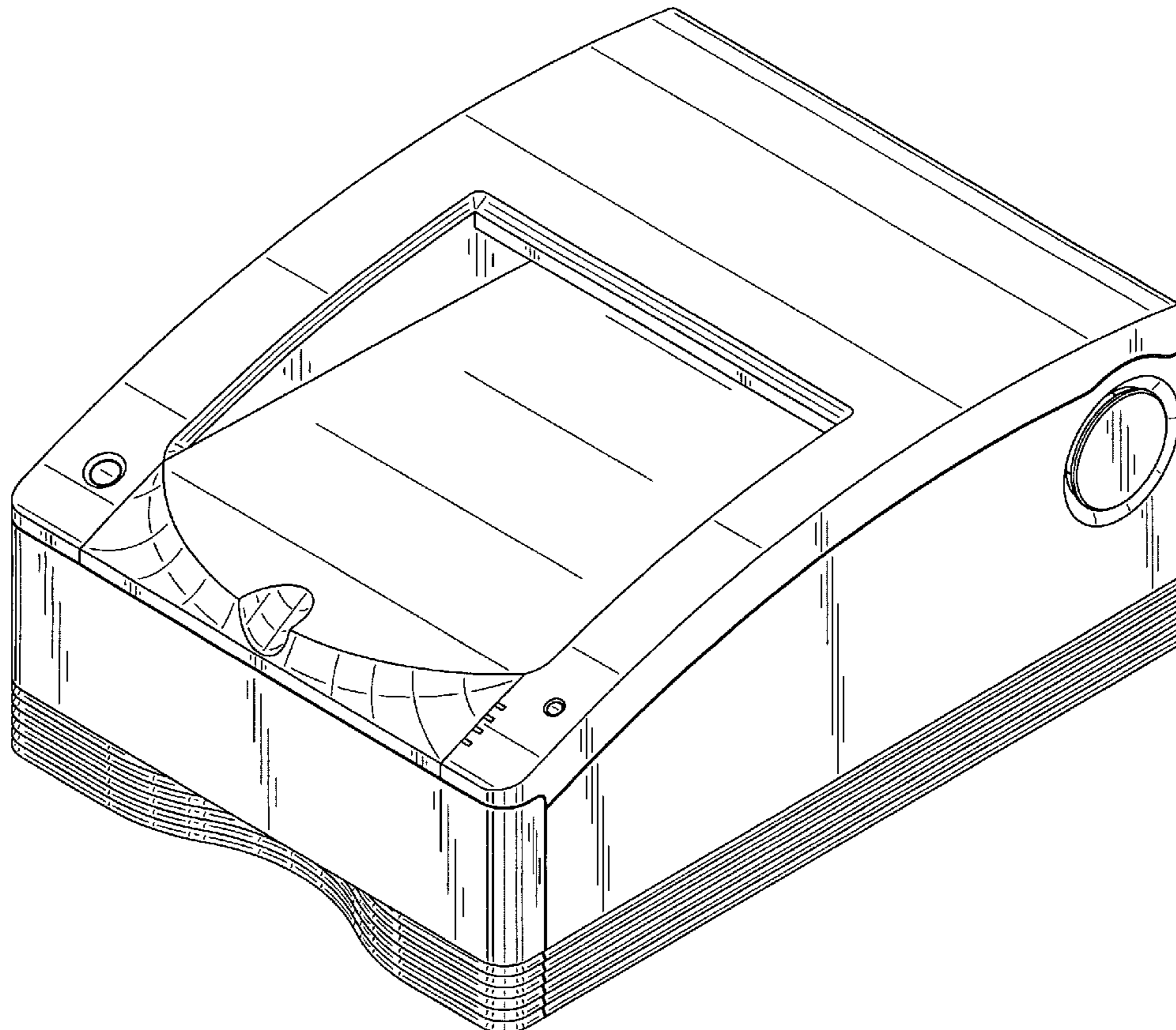
FIG. 4 is a left side elevational view thereof;

FIG. 5 is a right side elevational view thereof;

FIG. 6 is a top plan view thereof; and,

FIG. 7 is a bottom plan view thereof.

1 Claim, 7 Drawing Sheets



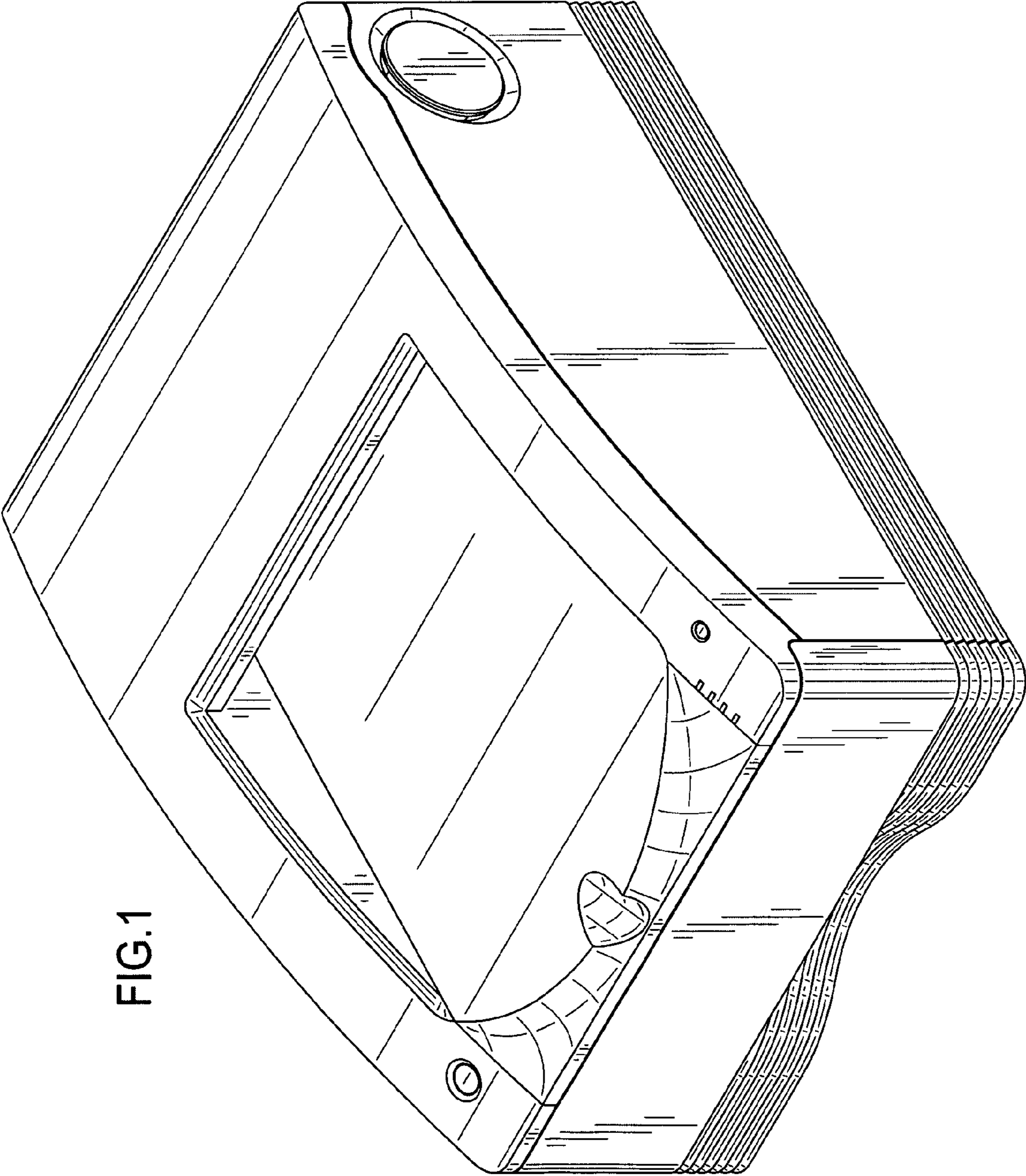


FIG.1

FIG.2

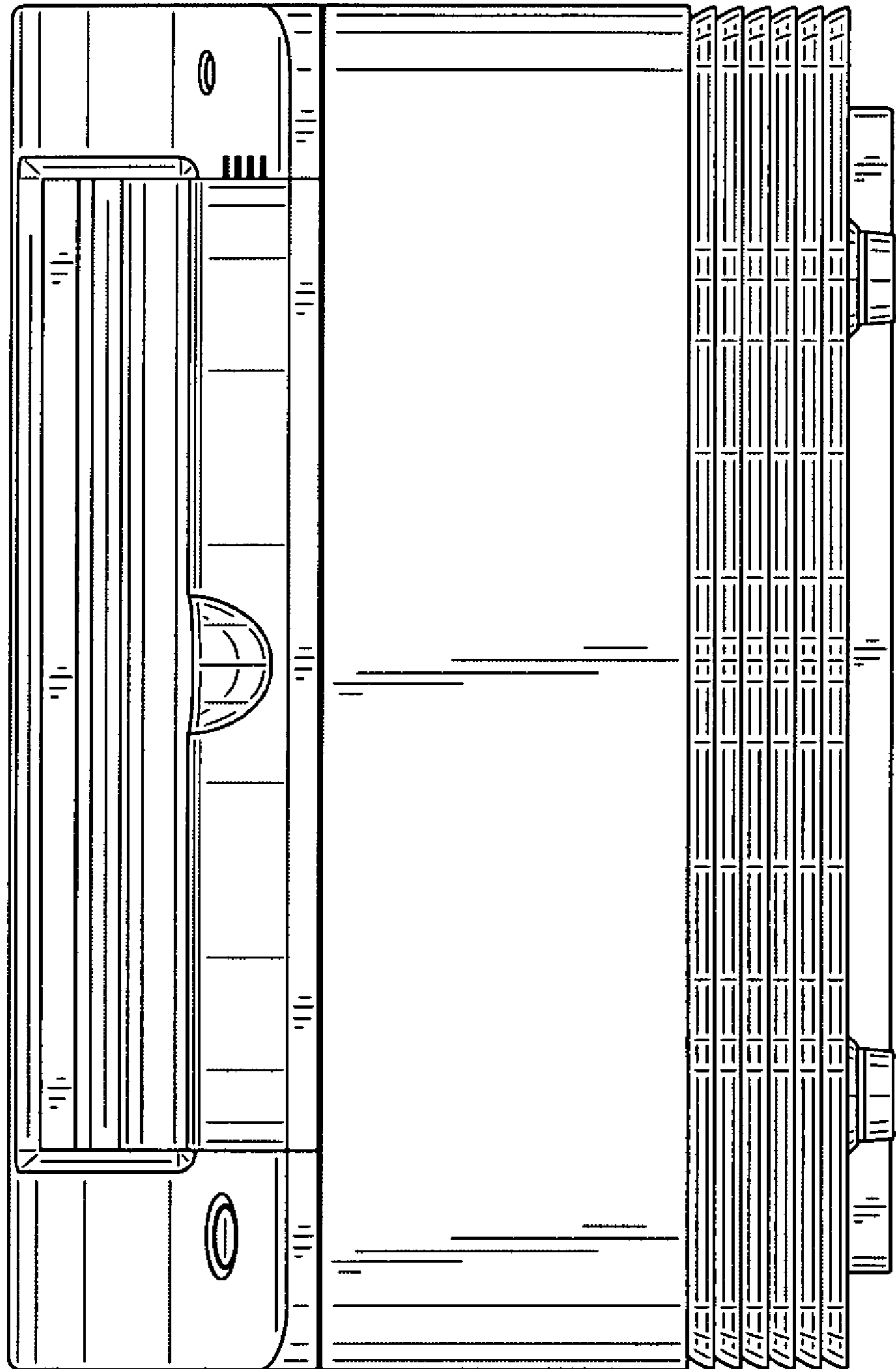


FIG. 3

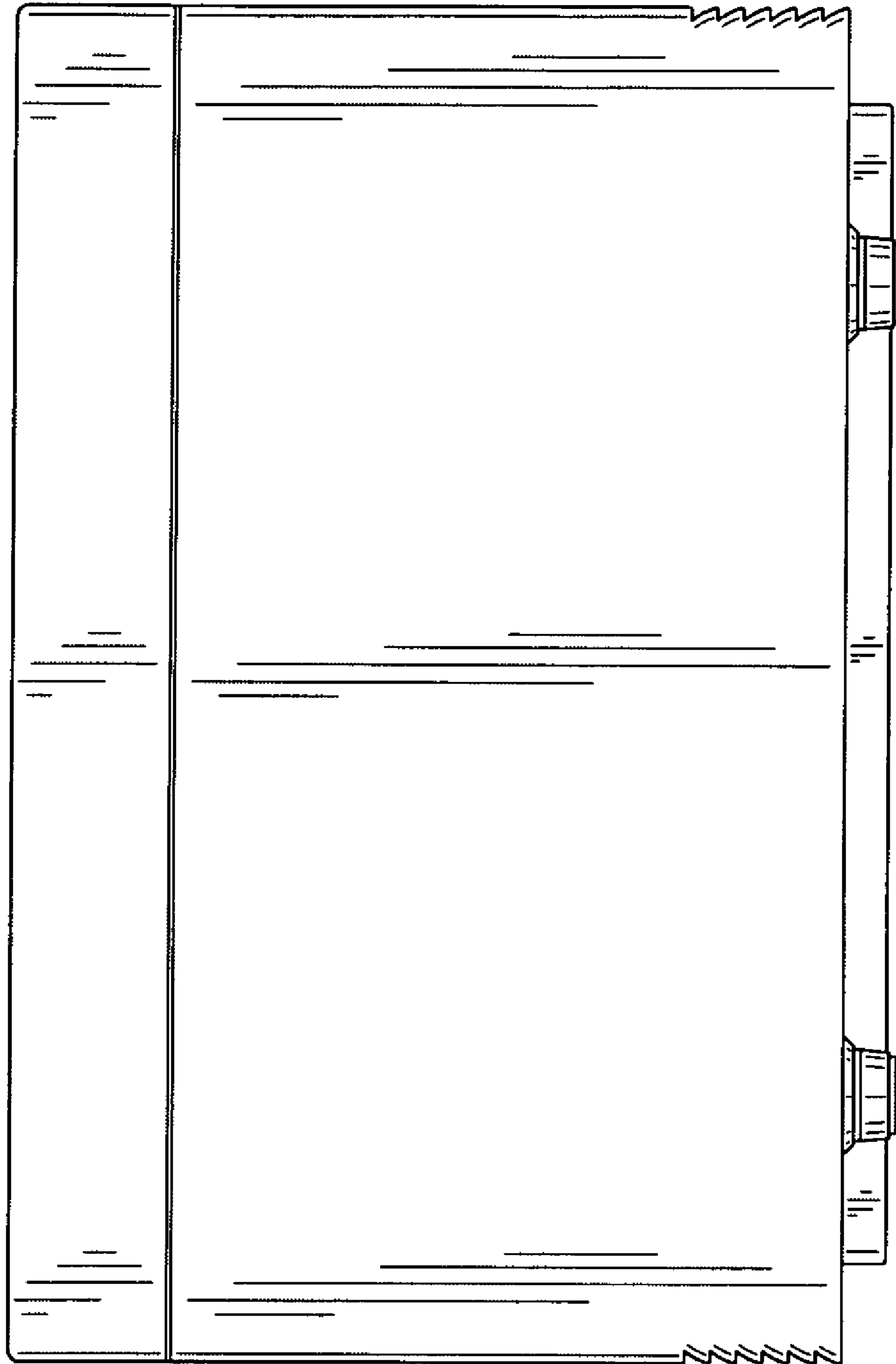


FIG.4

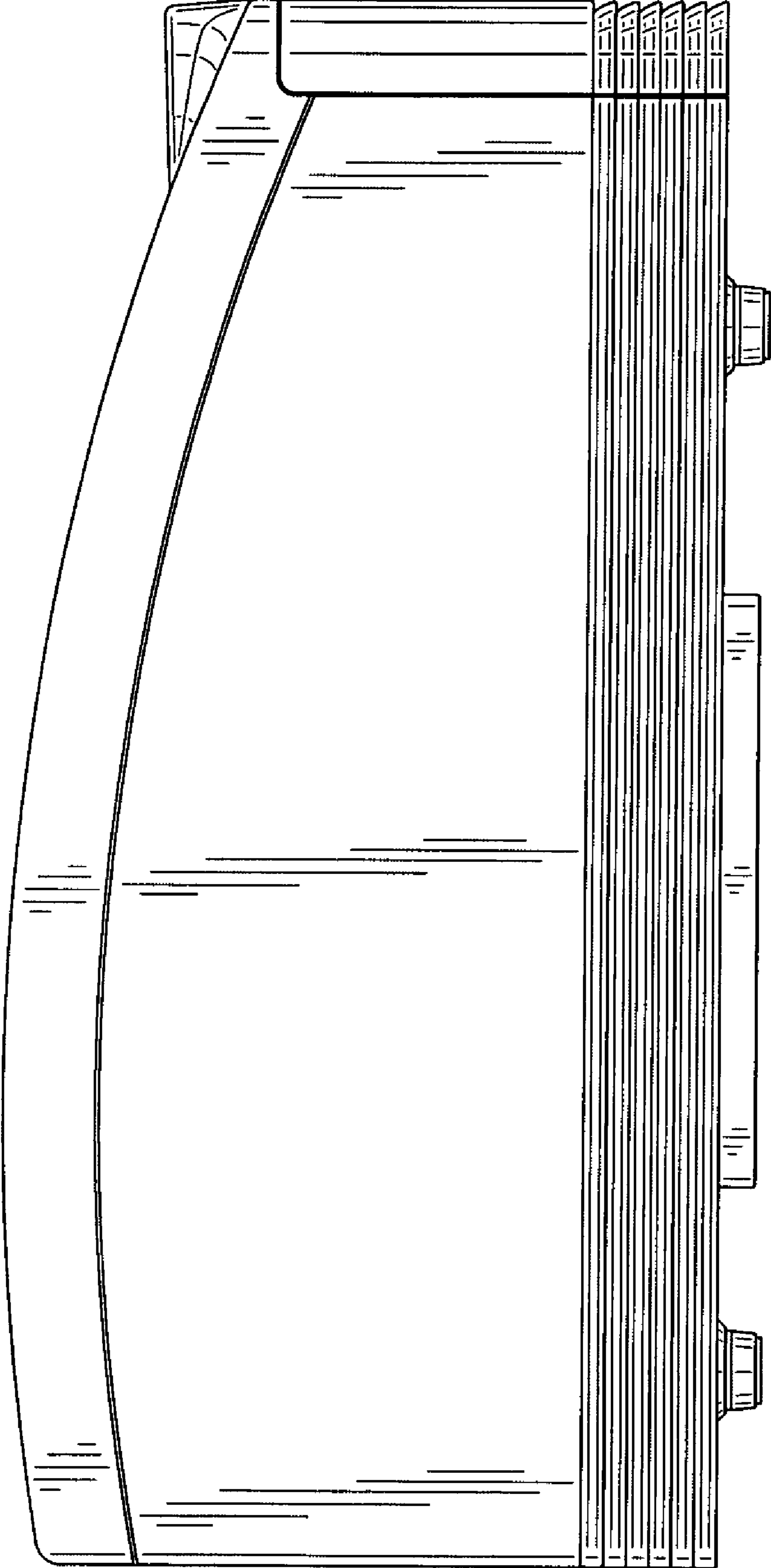


FIG.5

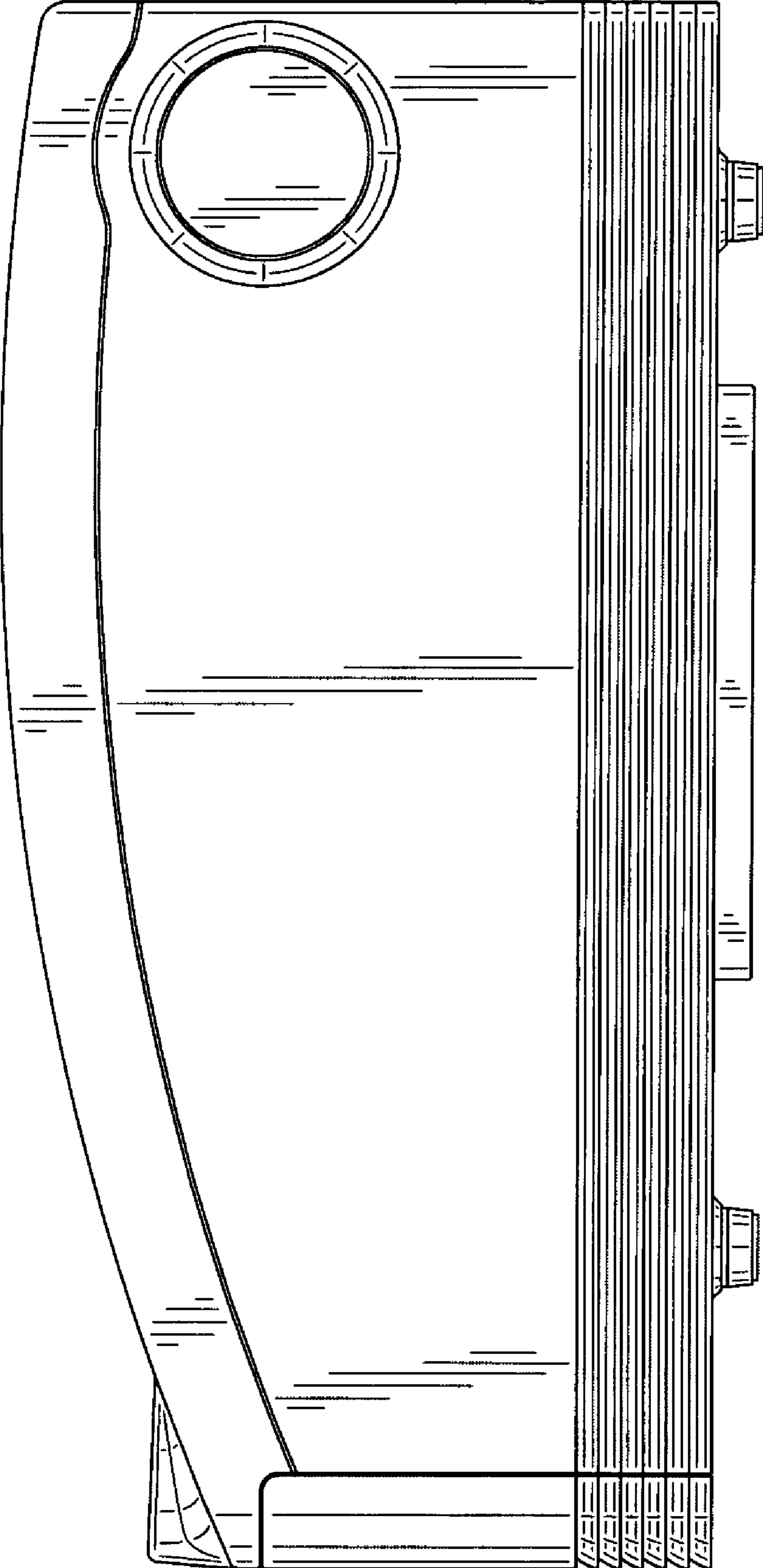


FIG.6

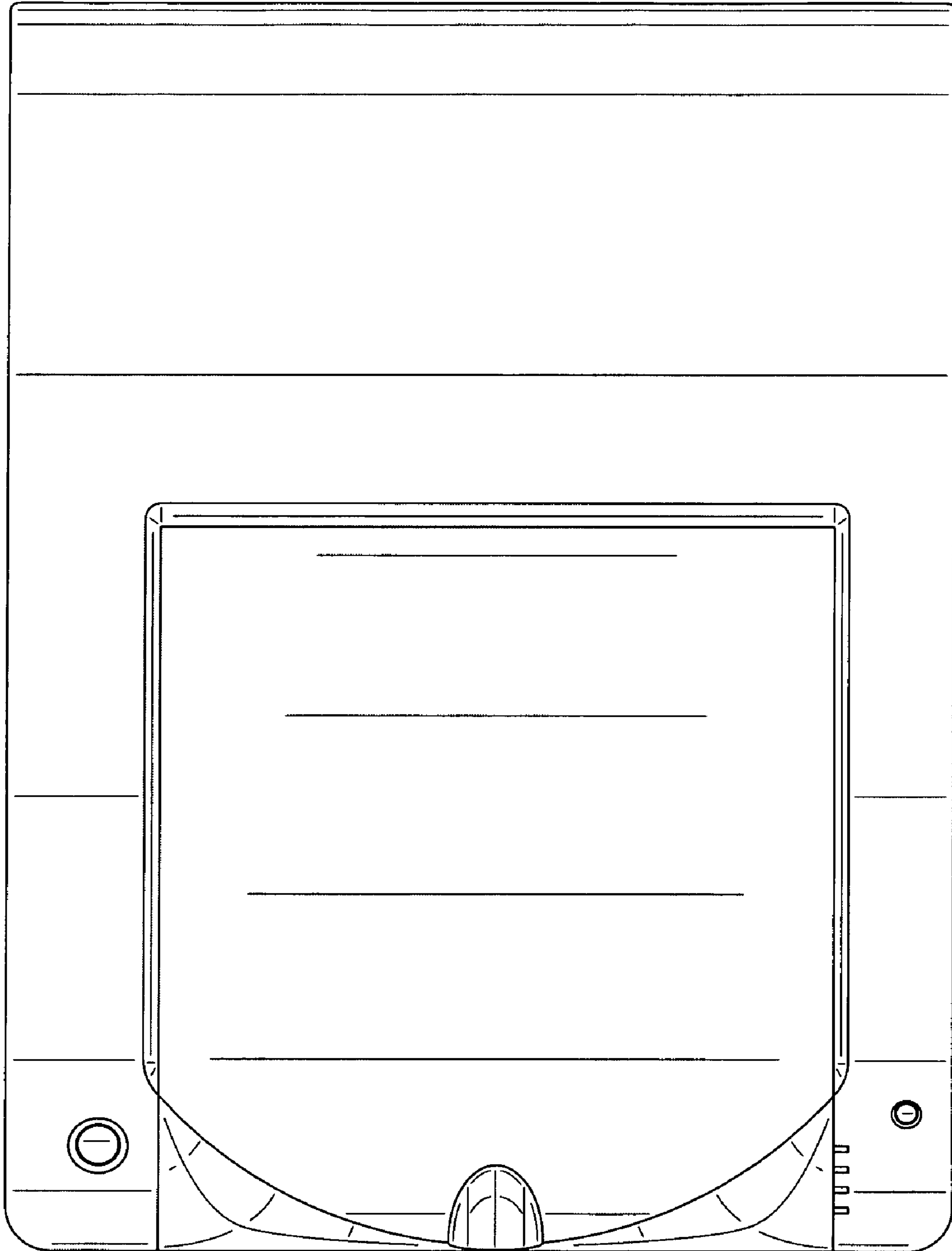


FIG.7

