



US00D600270S

(12) **United States Design Patent**
Flanagan

(10) **Patent No.:** **US D600,270 S**

(45) **Date of Patent:** **** Sep. 15, 2009**

(54) **SUNGLASSES**

D596,221 S * 7/2009 Stables D16/321

(76) Inventor: **Mark James Flanagan**, 4223 Buena Vista St., #7, Dallas, TX (US) 75205

* cited by examiner

(**) Term: **14 Years**

Primary Examiner—Raphael Barkai
(74) *Attorney, Agent, or Firm*—Allen, Dyer, Doppelt, Milbrath & Gilchrist, P.A.

(21) Appl. No.: **29/326,036**

(57) **CLAIM**

(22) Filed: **Oct. 10, 2008**

The ornamental design for sunglasses, as shown and described.

(51) **LOC (9) Cl.** **16-06**

(52) **U.S. Cl.** **D16/321**

(58) **Field of Classification Search** D16/101, D16/300–342; D29/109–110; D24/110.2; 351/41, 44, 51–52, 62, 158, 92, 103–123, 351/140, 153, 45–46; 2/426–432, 447–449, 2/441, 436, 434–437, 13, 15; D21/483, 659–661
See application file for complete search history.

DESCRIPTION

FIG. 1 is a front perspective view of sunglasses in accordance with this invention.

FIG. 2 is a bottom view of the design shown in FIG. 1;

FIG. 3 is a front view of the design shown in FIGS. 1 and 2;

FIG. 4 is a right side view of the design shown in FIGS. 1–3;

FIG. 5 is a left side view of the design shown in FIGS. 1–4, with the left side view being a mirror image of FIG. 4;

FIG. 6 is a rear perspective view of the design shown in FIGS. 1–5; and,

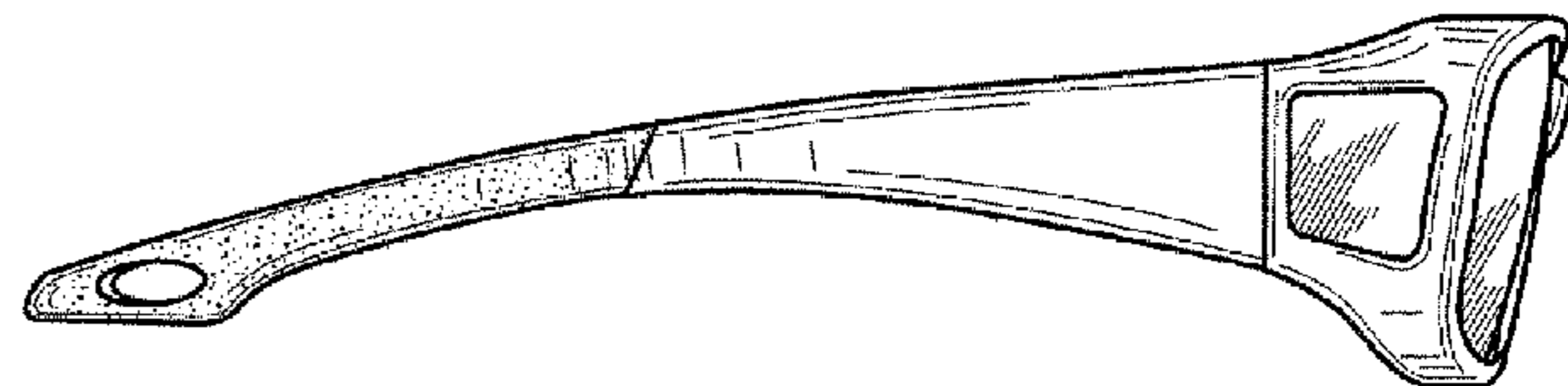
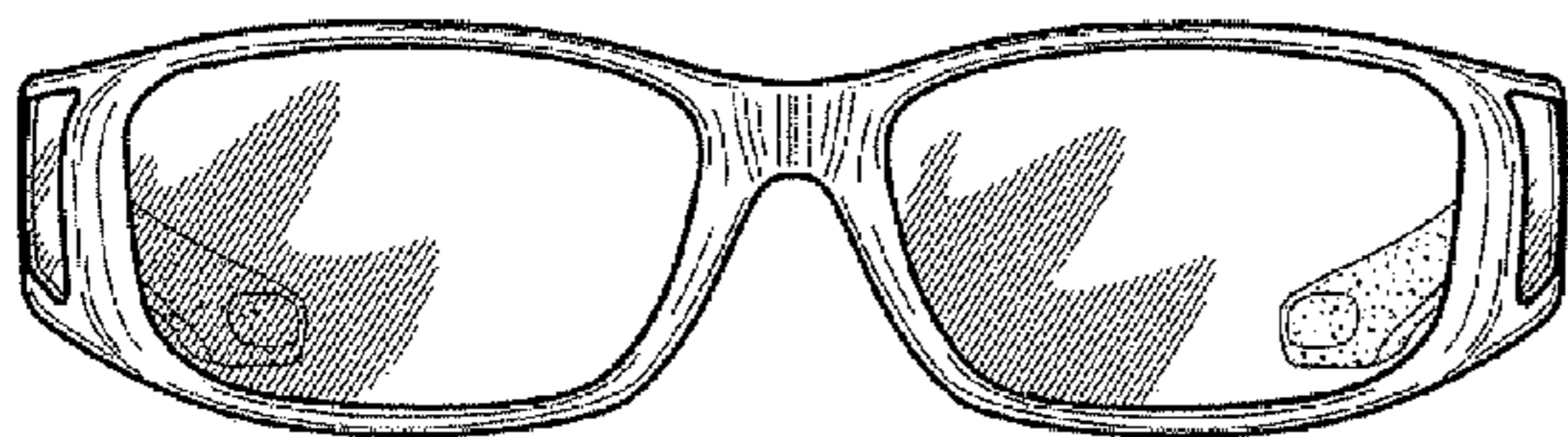
FIG. 7 is a top view of the design shown in FIGS. 1–6.

(56) **References Cited**

U.S. PATENT DOCUMENTS

D481,750 S *	11/2003	Stables	D16/321
D487,284 S *	3/2004	Lane	D16/326
D510,379 S *	10/2005	Lane	D16/326
D513,518 S *	1/2006	Stables	D16/321
D522,040 S *	5/2006	Lane	D16/321
D590,006 S *	4/2009	Lane et al.	D16/321

1 Claim, 3 Drawing Sheets



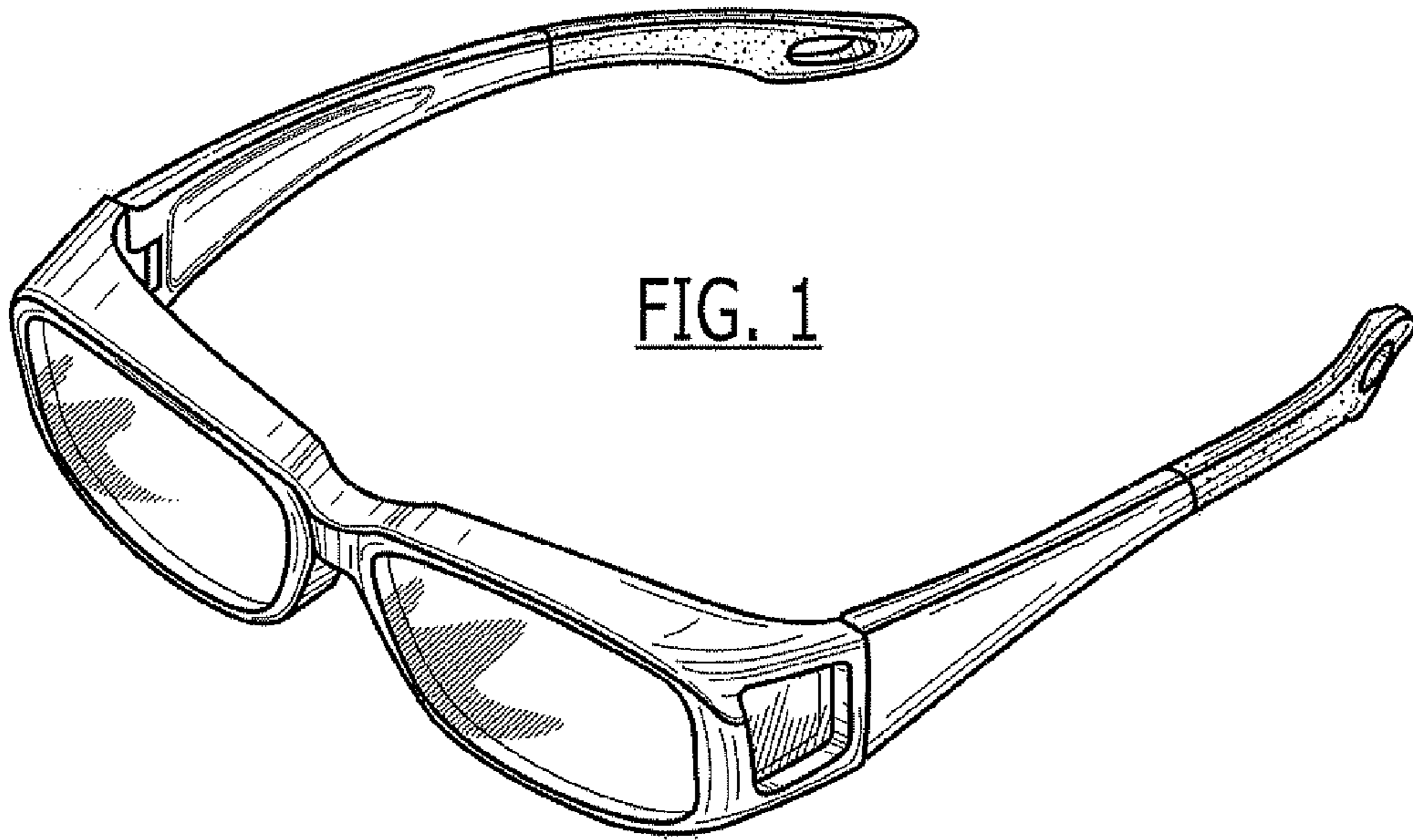


FIG. 1

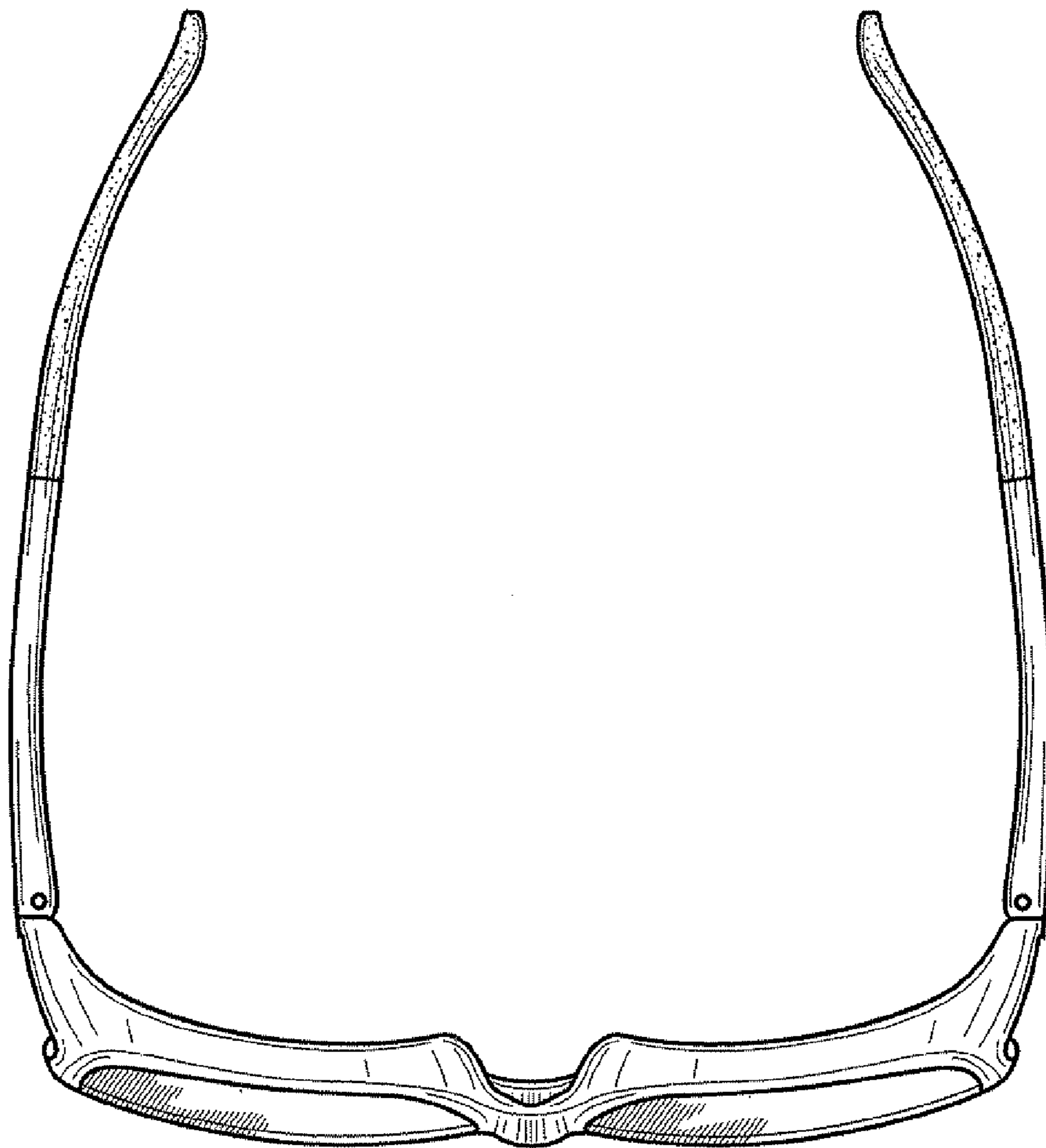


FIG. 2

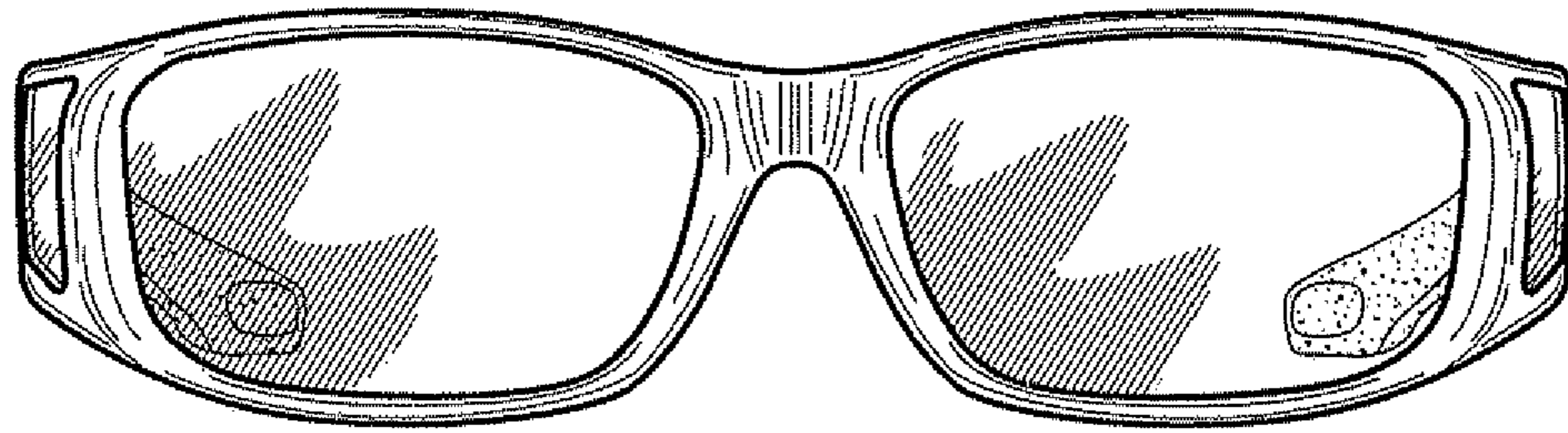


FIG. 3

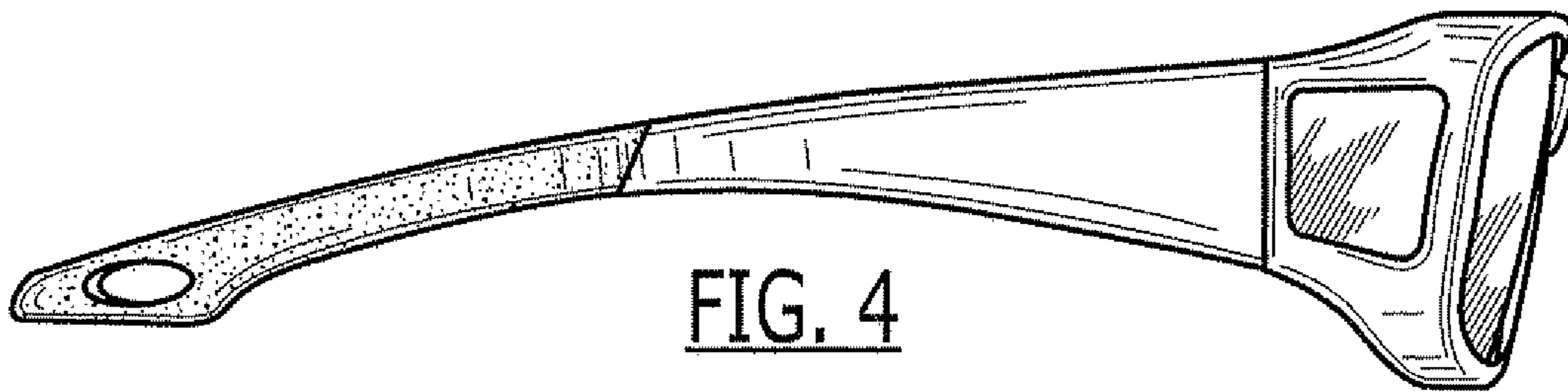


FIG. 4

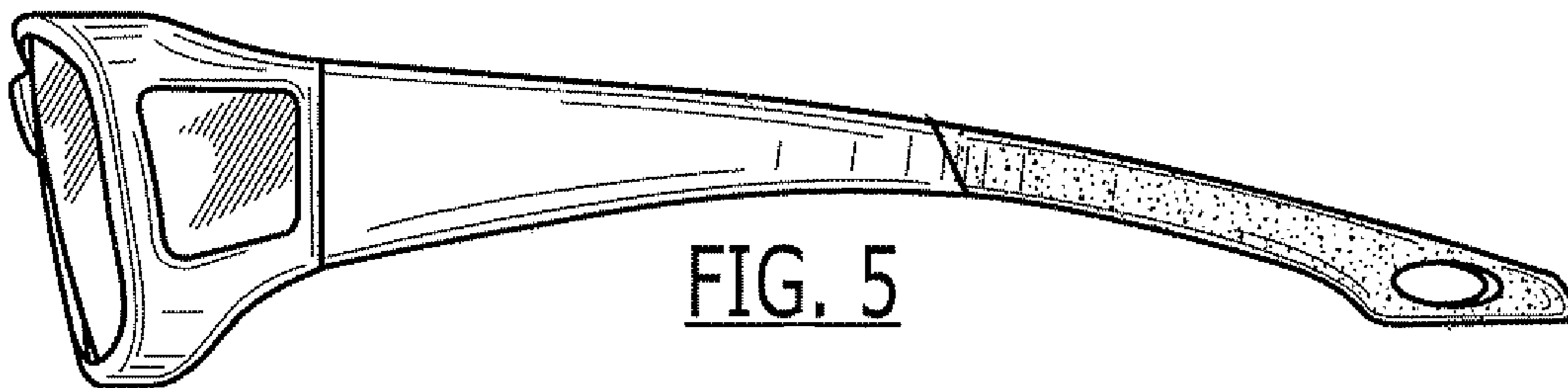


FIG. 5

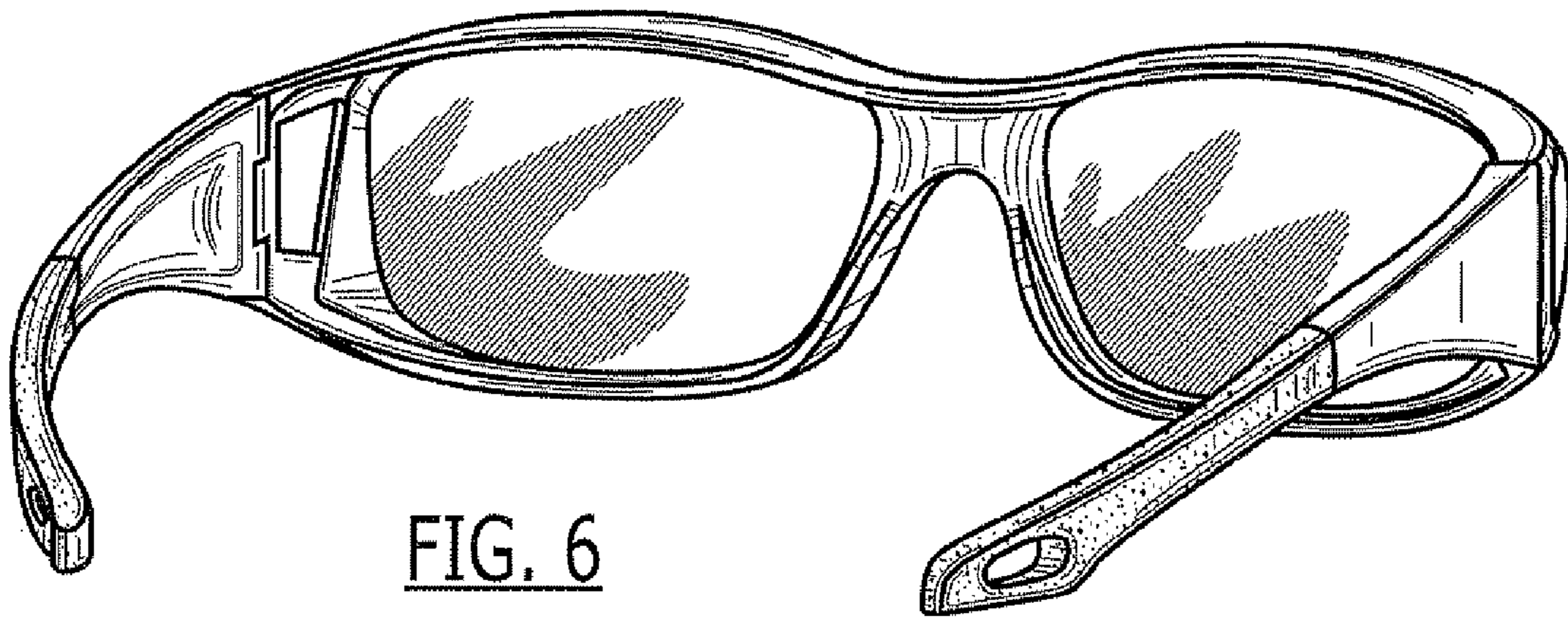


FIG. 6

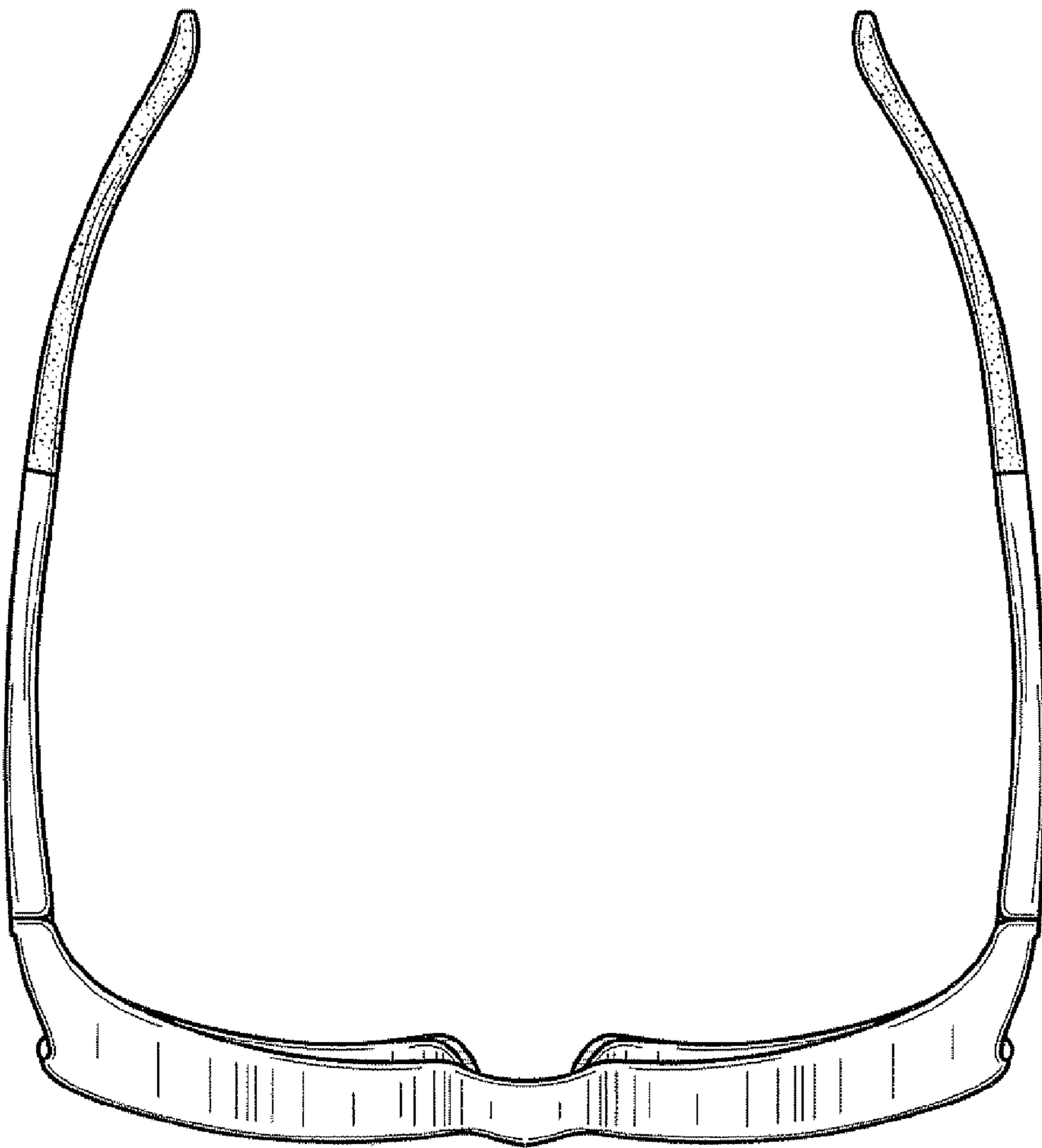


FIG. 7