



US00D600266S

(12) **United States Design Patent**
Nagase

(10) **Patent No.:** **US D600,266 S**
(45) **Date of Patent:** **** Sep. 15, 2009**

(54) **DATA PROJECTOR**

(75) Inventor: **Koji Nagase**, Hachioji (JP)
(73) Assignee: **Kabushiki Kaisha Toshiba**, Tokyo (JP)
(**) Term: **14 Years**

(21) Appl. No.: **29/321,414**

(22) Filed: **Jul. 16, 2008**

(30) **Foreign Application Priority Data**

May 16, 2008 (JP) 2008-012207

(51) **LOC (9) Cl.** **16-02**

(52) **U.S. Cl.** **D16/225; D16/230**

(58) **Field of Classification Search** D16/205,
D16/208, 221, 213, 225, 230-231, 234; D21/514;
353/115, 119, 122

See application file for complete search history.

(56) **References Cited**

U.S. PATENT DOCUMENTS

- D442,983 S * 5/2001 Goto et al. D16/230
- D449,060 S * 10/2001 Saeki et al. D16/230
- D473,252 S 4/2003 Shimamoto et al.
- D473,253 S 4/2003 Shimamoto
- D476,353 S 6/2003 Morishita et al.
- D477,833 S * 7/2003 Kurokawa et al. D16/230
- D482,381 S 11/2003 Morishita et al.
- D491,973 S 6/2004 Morishita et al.
- D492,714 S 7/2004 Morishita et al.
- D498,250 S 11/2004 Kawasaki et al.
- D498,781 S 11/2004 Azuma et al.
- D500,070 S 12/2004 Yamaguchi et al.
- D502,486 S 3/2005 Kawasaki et al.
- 6,886,948 B2 * 5/2005 Nakano 353/119
- D506,770 S 6/2005 Saeki et al.
- D506,771 S 6/2005 Ooshima et al.
- D511,353 S 11/2005 Kawashima
- D513,515 S 1/2006 Ooshima et al.
- D516,603 S 3/2006 Yeh et al.
- D520,549 S 5/2006 Tako
- D523,058 S 6/2006 On et al.
- D539,326 S 3/2007 Schoenert et al.

- D545,339 S 6/2007 Naruki
- D545,861 S 7/2007 Naruki
- D545,863 S 7/2007 Kawashima
- D546,864 S 7/2007 Kim
- D550,268 S 9/2007 Naruki
- D551,689 S 9/2007 Sakaguchi et al.
- D551,690 S 9/2007 Kawabe et al.
- D552,149 S 10/2007 Sakai et al.
- D552,656 S 10/2007 Oota et al.
- D555,696 S 11/2007 Naruki
- D555,697 S * 11/2007 Kawabe et al. D16/230
- D564,566 S 3/2008 Naruki
- D572,744 S 7/2008 Fujita et al.
- D574,876 S 8/2008 Yano
- D577,051 S * 9/2008 Yamamizu D16/230

FOREIGN PATENT DOCUMENTS

- JP D1129442 12/2001
- JP D1321429 2/2008

* cited by examiner

Primary Examiner—Ian Simmons

Assistant Examiner—Wan Laymon

(74) *Attorney, Agent, or Firm*—Banner & Witcoff, Ltd.

(57) **CLAIM**

The ornamental design for a data projector, as shown and described.

DESCRIPTION

FIG. 1 is a front, top and right side perspective view of a data projector showing my new design;

FIG. 2 is a front elevational view thereof;

FIG. 3 is a rear elevational view thereof;

FIG. 4 is top plan view thereof;

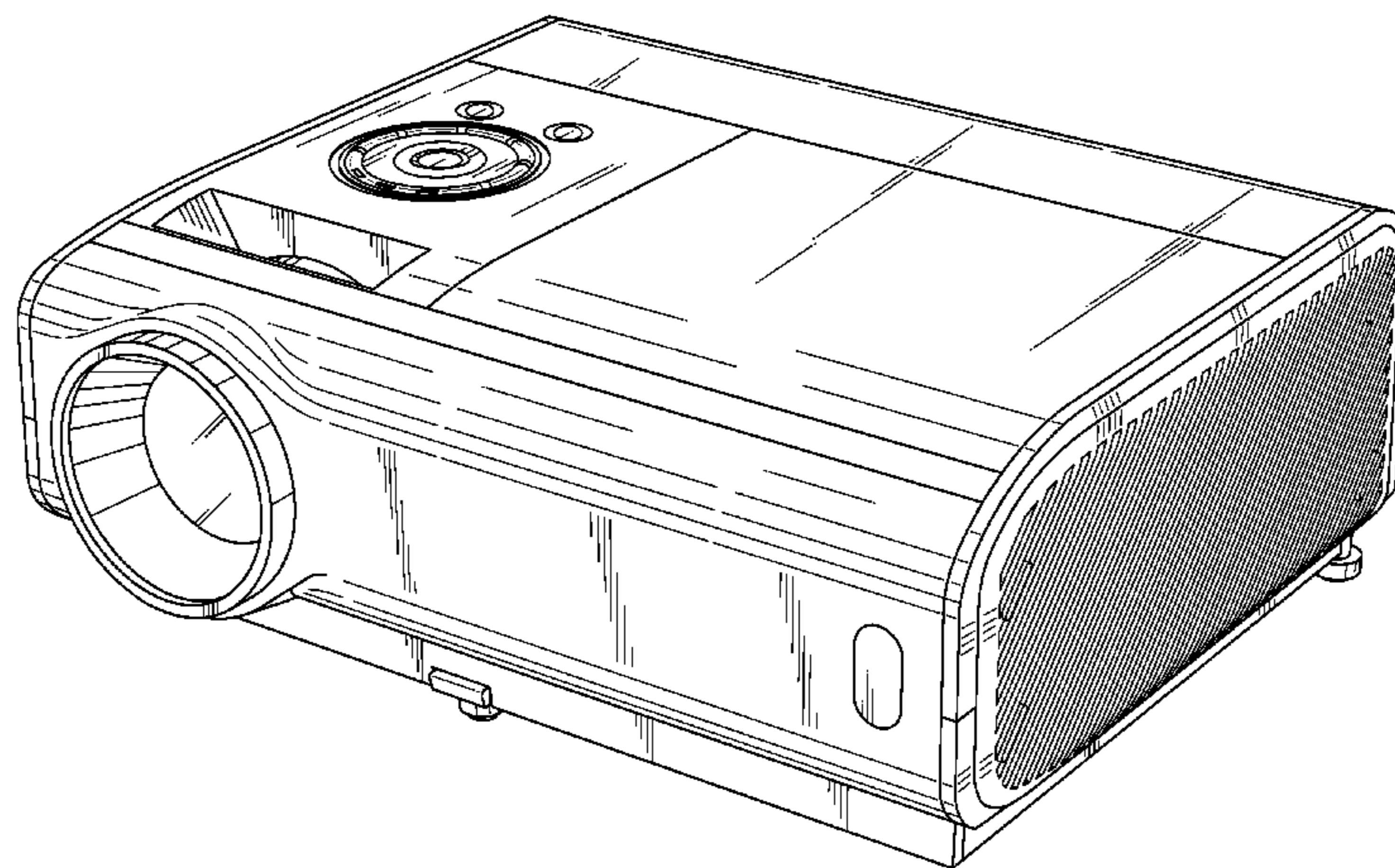
FIG. 5 is a bottom plan view thereof;

FIG. 6 is a right side elevational view thereof; and,

FIG. 7 is a left side elevational view thereof.

The broken line showing of the remainder of the data projector is for environmental purposes only and forms no part of the claimed design.

1 Claim, 7 Drawing Sheets



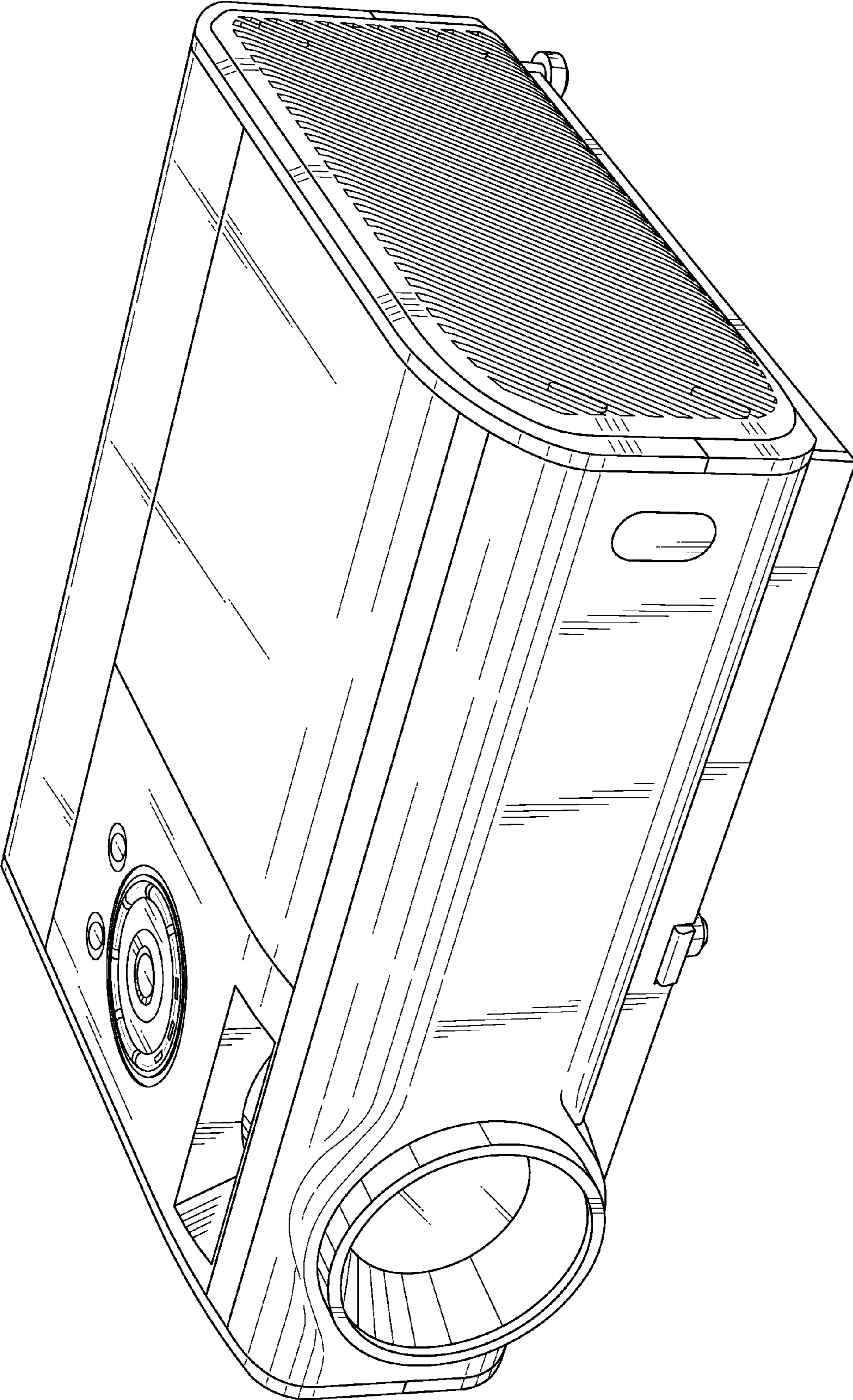


FIG.1

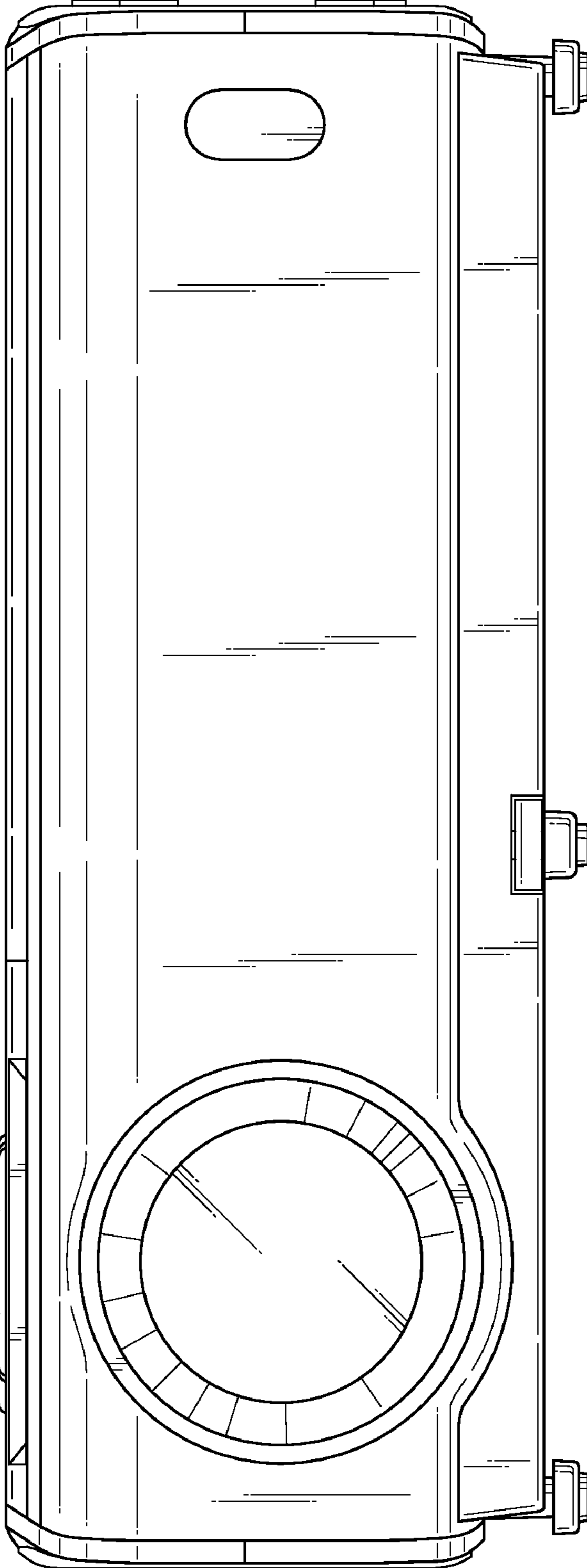


FIG.2

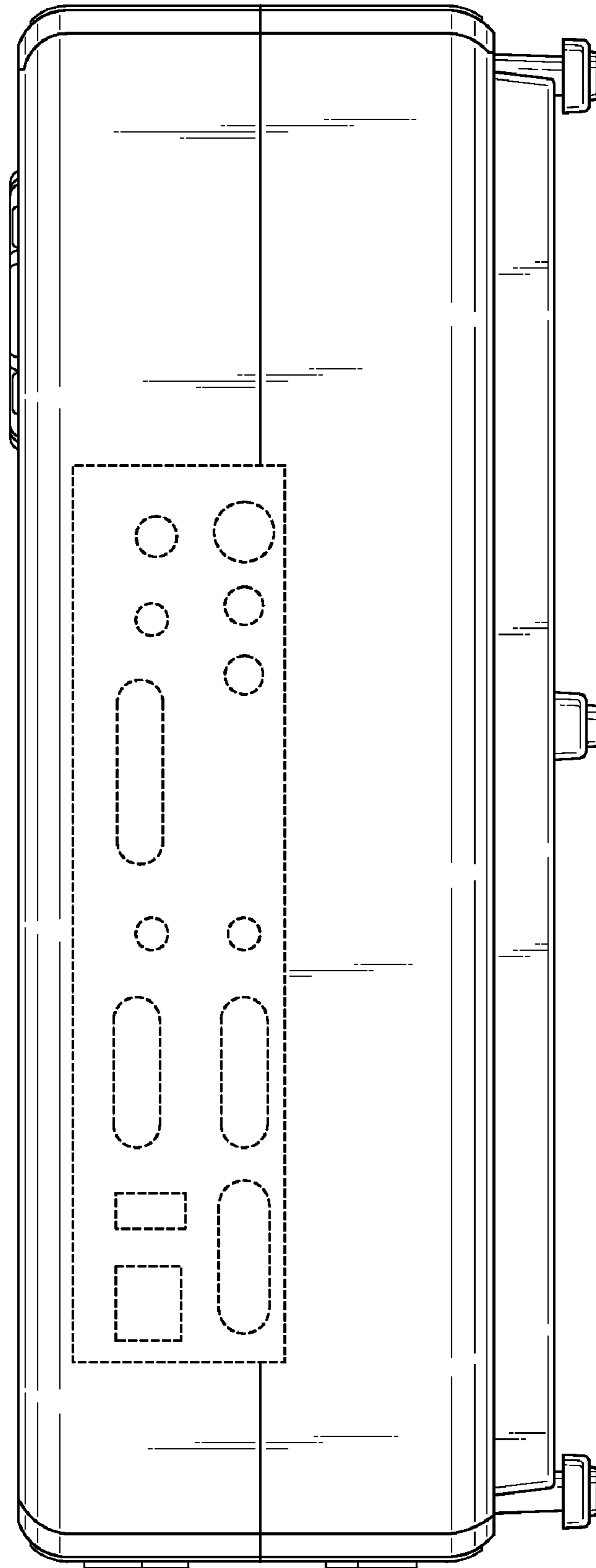


FIG.3

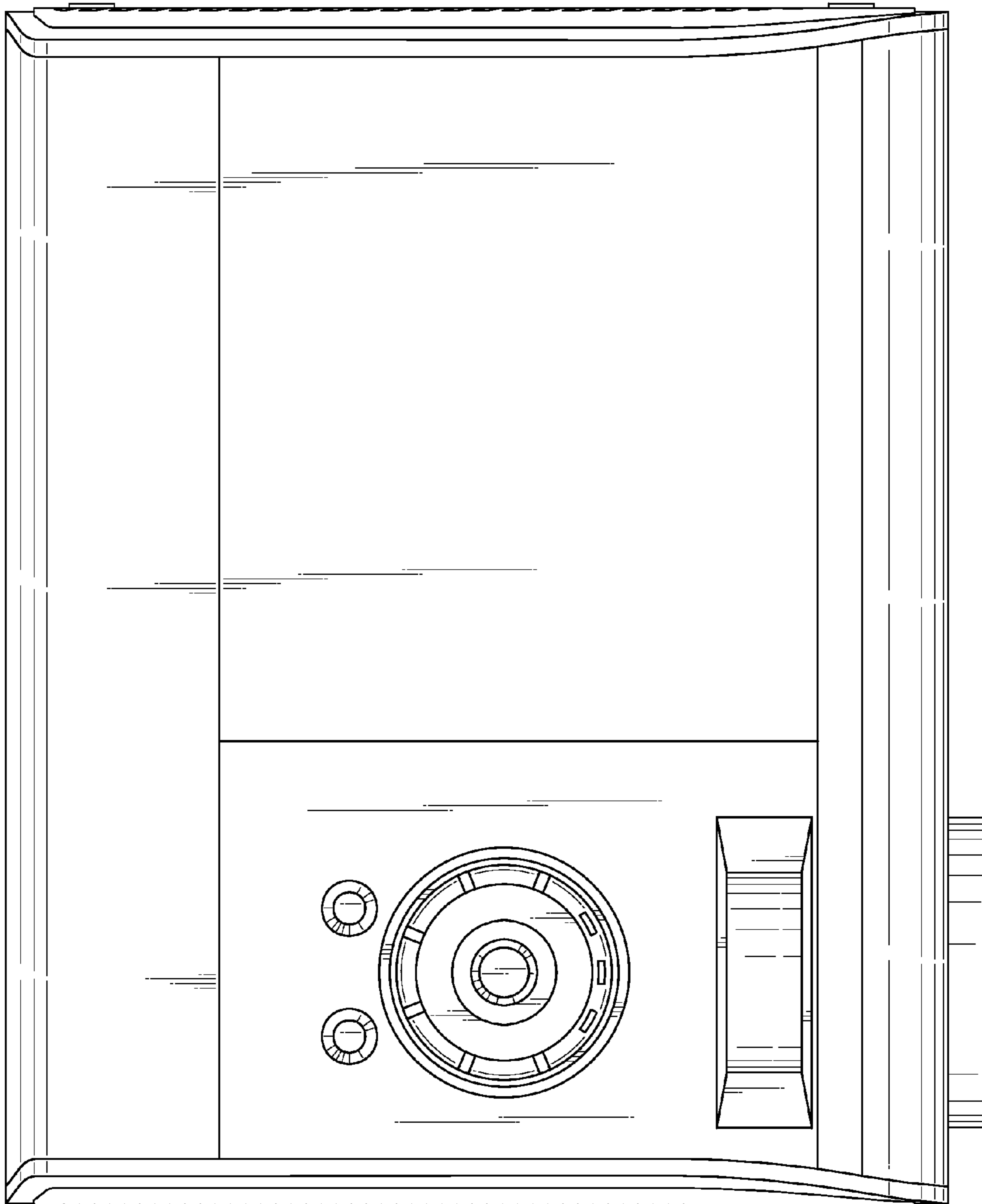


FIG.4

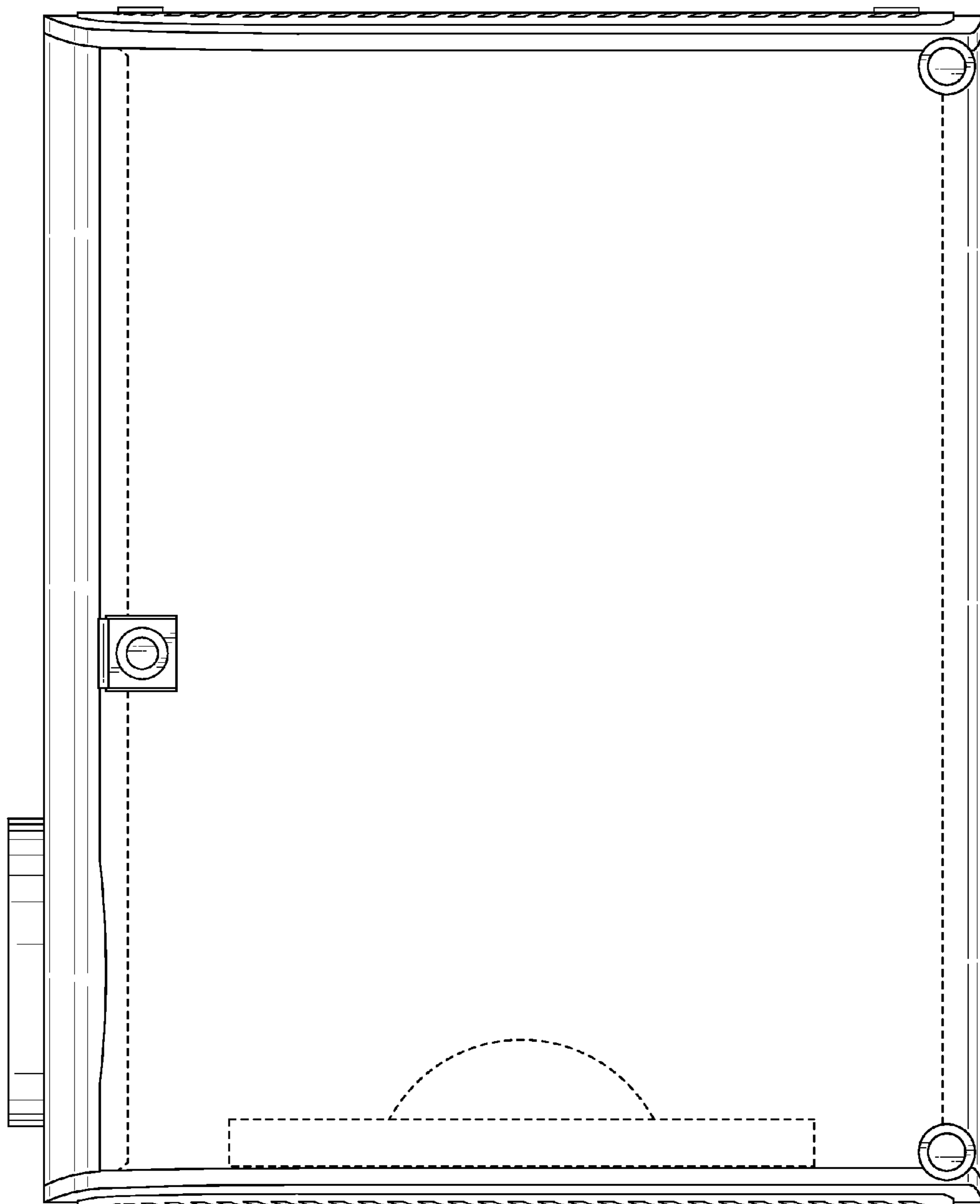


FIG.5

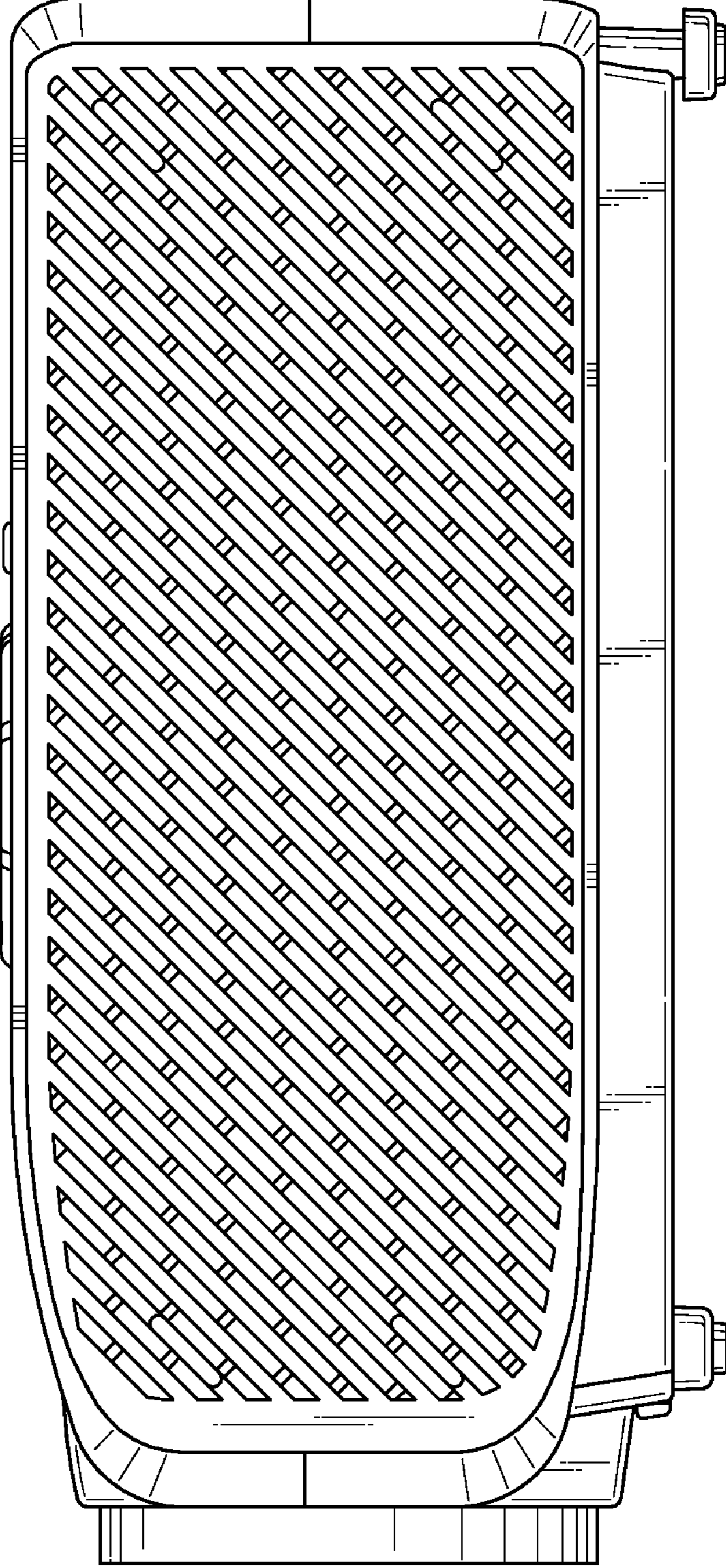


FIG.6

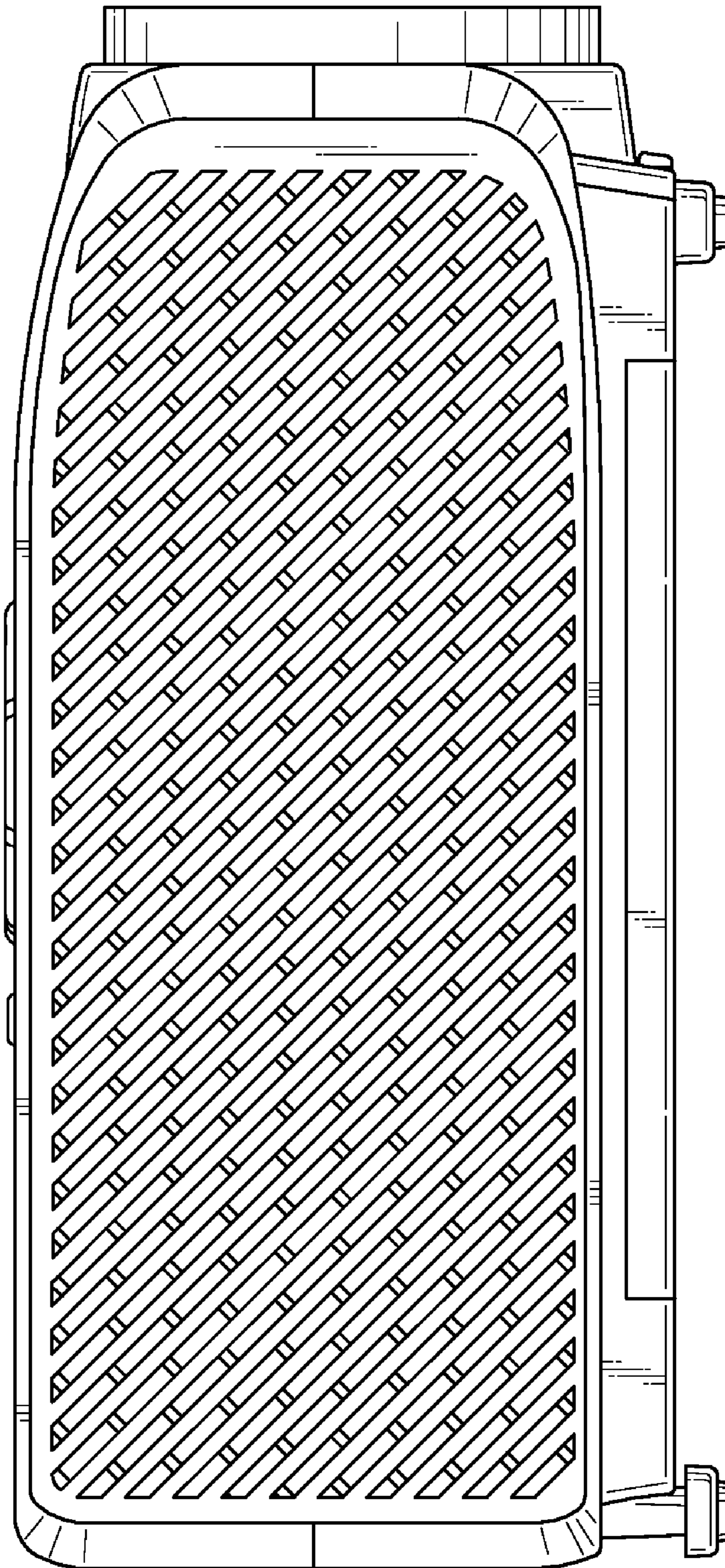


FIG.7