



US00D600265S

(12) **United States Design Patent**
Miyashita

(10) **Patent No.:** **US D600,265 S**

(45) **Date of Patent:** **** Sep. 15, 2009**

(54) **CAMERA**

(75) Inventor: **Shin Miyashita**, Tokyo (JP)

(73) Assignee: **Sony Corporation**, Tokyo (JP)

(**) Term: **14 Years**

(21) Appl. No.: **29/287,042**

(22) Filed: **Jun. 21, 2007**

(30) **Foreign Application Priority Data**

Mar. 5, 2007 (JP) D2007-005600

(51) **LOC (9) Cl.** **16-05**

(52) **U.S. Cl.** **D16/219; D16/136**

(58) **Field of Classification Search** D16/200–206,
D16/208, 217, 218, 134, 136, 219; 348/373–376;
396/354–359, 535–541, 25
See application file for complete search history.

(56) **References Cited**

U.S. PATENT DOCUMENTS

- D388,109 S * 12/1997 Kimura et al. D16/217
- D411,218 S * 6/1999 Kumakura et al. D16/217
- D416,271 S 11/1999 Ikenaga
- D425,094 S * 5/2000 Morishita et al. D16/217
- D433,693 S 11/2000 Kobayashi
- D445,438 S 7/2001 Kubota
- D451,115 S 11/2001 Sumita
- D456,035 S 4/2002 Yamazaki et al.
- D465,505 S * 11/2002 Nasu D16/219
- D478,110 S * 8/2003 Nasu D16/136
- D482,713 S * 11/2003 Hayashi D16/217
- D497,174 S * 10/2004 Omino et al. D16/217

- D500,068 S 12/2004 Hayashi
- 7,060,921 B2 * 6/2006 Kubo 396/25
- D528,580 S 9/2006 Sumita
- D532,031 S 11/2006 Hayashi
- 7,182,529 B2 * 2/2007 Kurosawa 396/535
- D538,324 S * 3/2007 Masamitsu et al. D16/219
- D540,841 S * 4/2007 Yamagishi D16/219
- D562,374 S * 2/2008 Miyashita D16/217
- D567,835 S * 4/2008 Sumita D16/206

FOREIGN PATENT DOCUMENTS

JP D1215688 S 8/2004

* cited by examiner

Primary Examiner—Adir Aronovich

(74) *Attorney, Agent, or Firm*—Rader, Fishman & Grauer, PLLC

(57) **CLAIM**

The ornamental design for a camera, as shown.

DESCRIPTION

FIG. 1 is a perspective view of a camera showing my new design;

FIG. 2 is a front elevational view thereof;

FIG. 3 is a right side elevational view thereof;

FIG. 4 is a top plan view thereof; and,

FIG. 5 is a bottom plan view thereof.

The portions of the camera in broken lines are shown for illustrative purposes only and form no part of the claimed design.

1 Claim, 5 Drawing Sheets

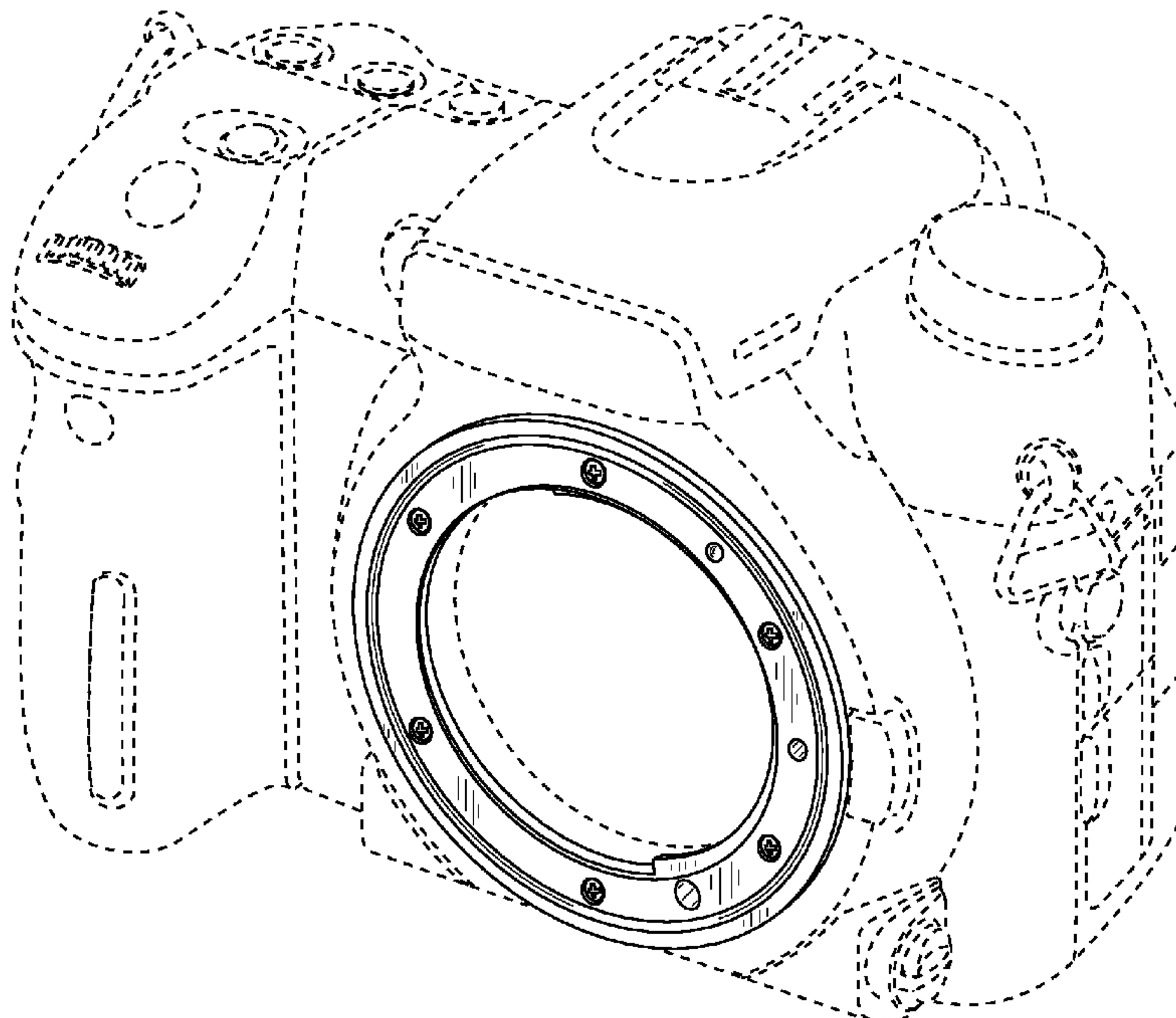


Fig.1

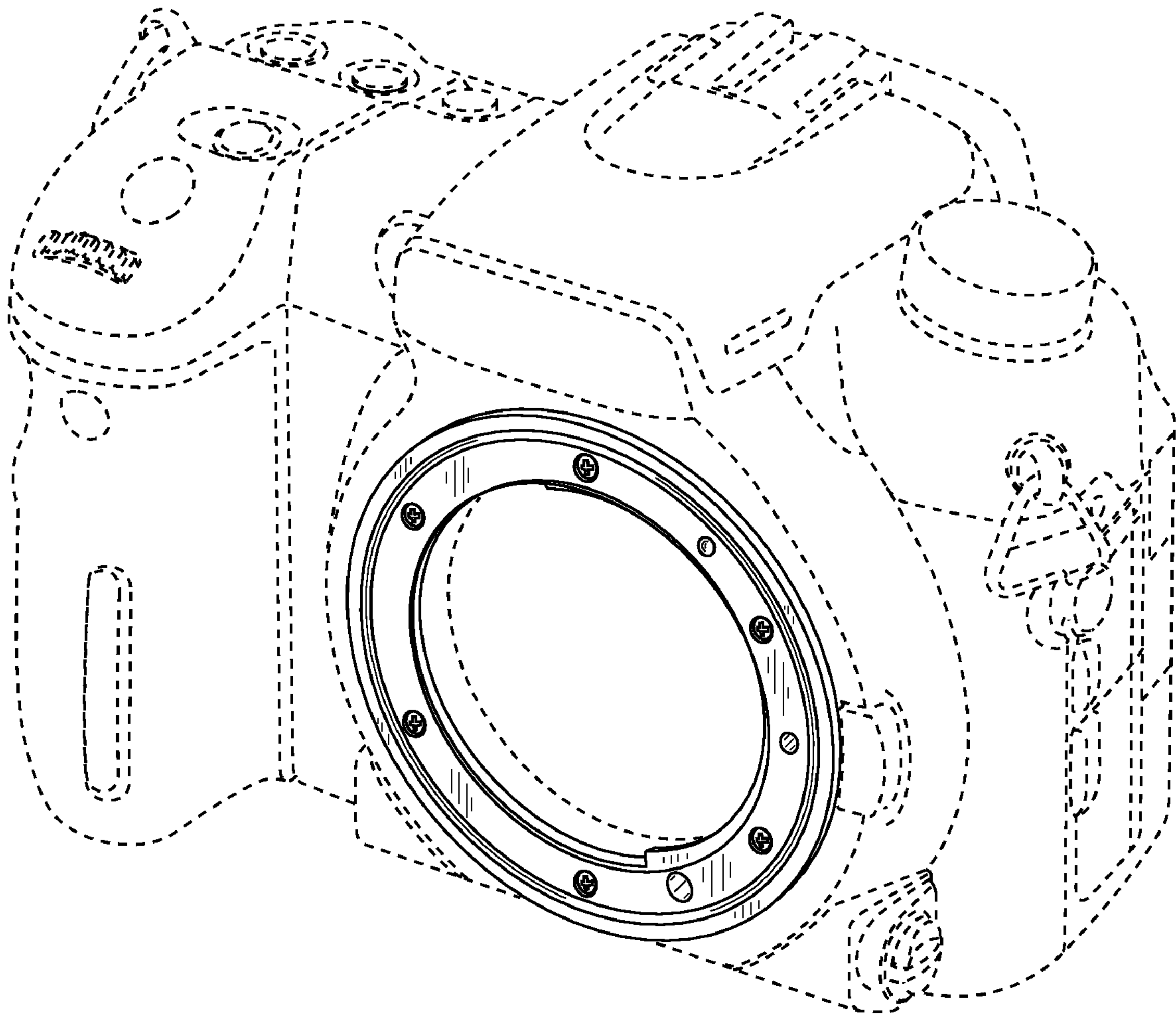


Fig.2

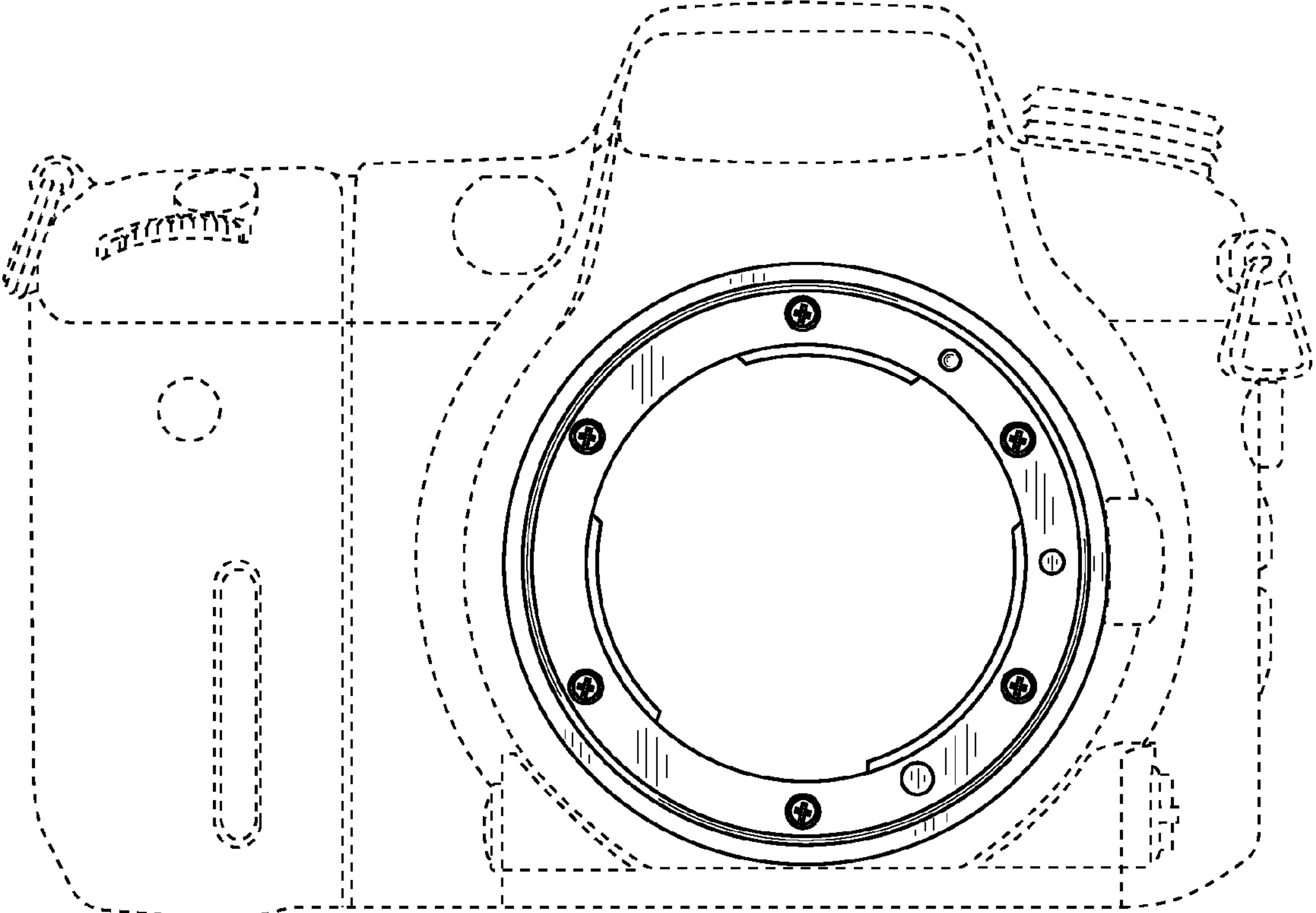


Fig.3

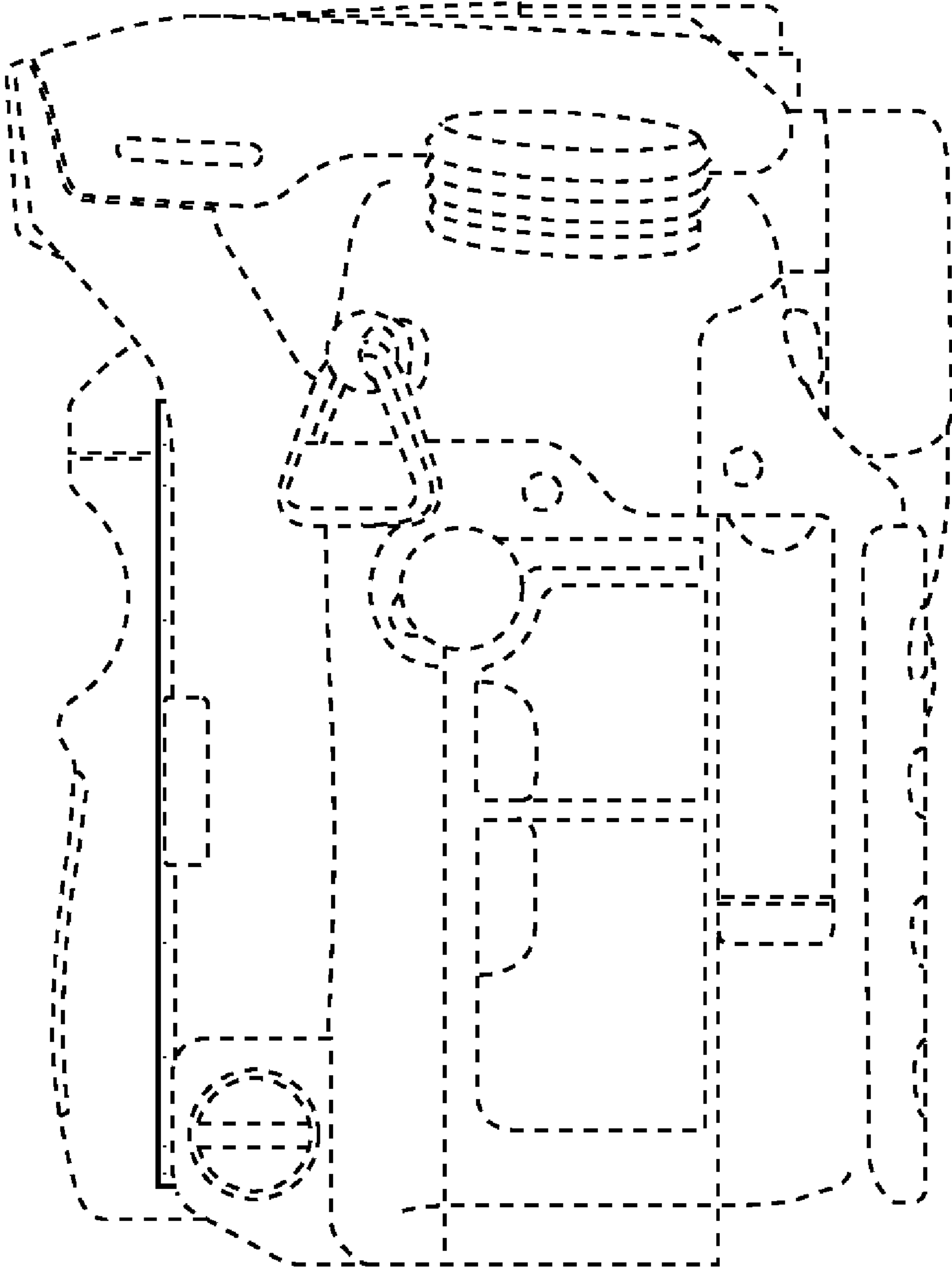


Fig.4

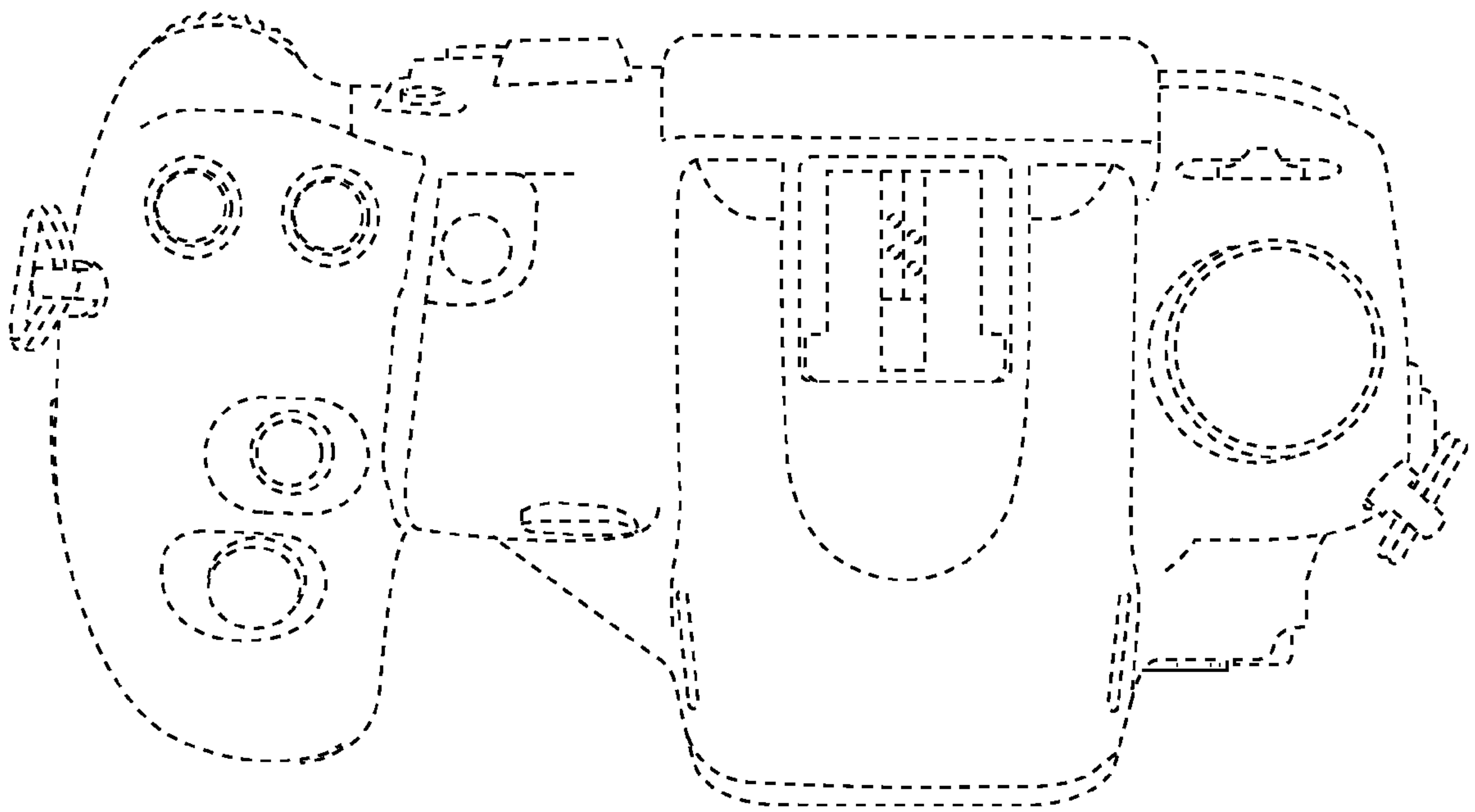


Fig.5

