



US00D600264S

(12) **United States Design Patent**
Baumgartner

(10) **Patent No.:** **US D600,264 S**

(45) **Date of Patent:** **** Sep. 15, 2009**

(54) **CAMERA BASED OPTICAL SENSOR**

(75) Inventor: **Klaus Baumgartner**, Esslingen (DE)

(73) Assignee: **Pilz GmbH & Co. KG**, Ostfildern (DE)

(**) Term: **14 Years**

(21) Appl. No.: **29/303,423**

(22) Filed: **Feb. 8, 2008**

(30) **Foreign Application Priority Data**

Aug. 9, 2007 (EM) 000772496

(51) **LOC (9) Cl.** **16-01**

(52) **U.S. Cl.** **D16/203**

(58) **Field of Classification Search** D16/200–205,
D16/208, 218; 348/373–376; 358/906; 382/106;
396/80, 535–541

See application file for complete search history.

(56) **References Cited**

U.S. PATENT DOCUMENTS

D244,931	S	*	7/1977	Miller et al.	D16/205
4,485,407	A	*	11/1984	Bohm et al.	348/374
D366,271	S	*	1/1996	Hasegawa	D16/203
D373,593	S	*	9/1996	Hiroko et al.	D16/202
5,930,383	A	*	7/1999	Netzer	382/106

D426,844	S	*	6/2000	Fujii	D16/203
6,683,654	B1	*	1/2004	Haijima	348/374
D489,744	S	*	5/2004	Muto	D16/203
7,221,402	B2	*	5/2007	Cheng	348/375
D563,450	S	*	3/2008	Cheng	D16/203
D565,073	S	*	3/2008	Jeon	D16/203

* cited by examiner

Primary Examiner—Adir Aronovich

(74) *Attorney, Agent, or Firm*—Harness, Dickey & Pierce, P.L.C.

(57) **CLAIM**

The ornamental design for a camera based optical sensor, as shown and described.

DESCRIPTION

FIG. 1 is a top, front perspective view of a camera based optical sensor embodying my new design;

FIG. 2 is a front elevational view;

FIG. 3 is a rear elevational view thereof;

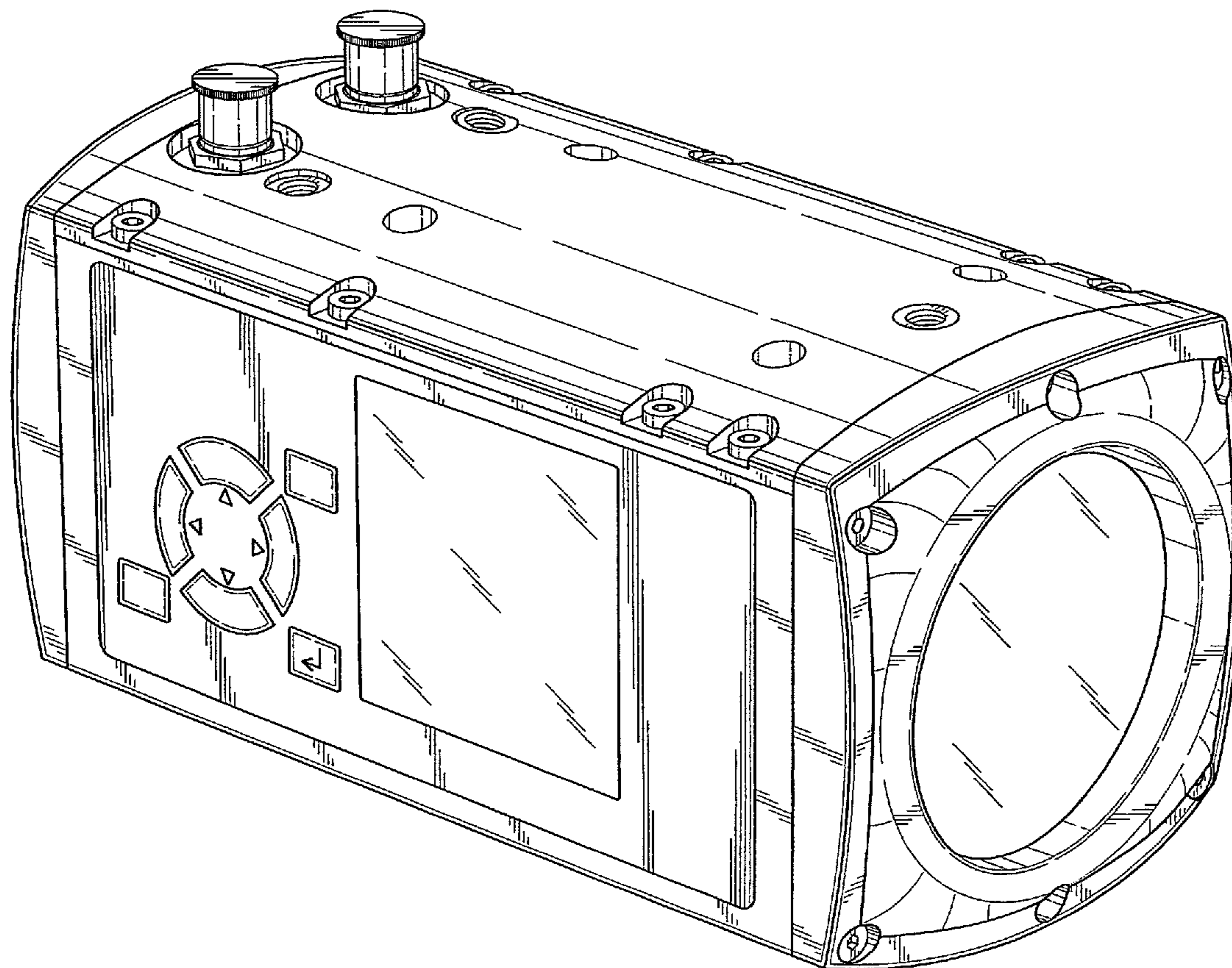
FIG. 4 is a right side elevational view thereof;

FIG. 5 a right side elevational view thereof;

FIG. 6 is a top plan view thereof; and,

FIG. 7 is a bottom plan view thereof.

1 Claim, 7 Drawing Sheets



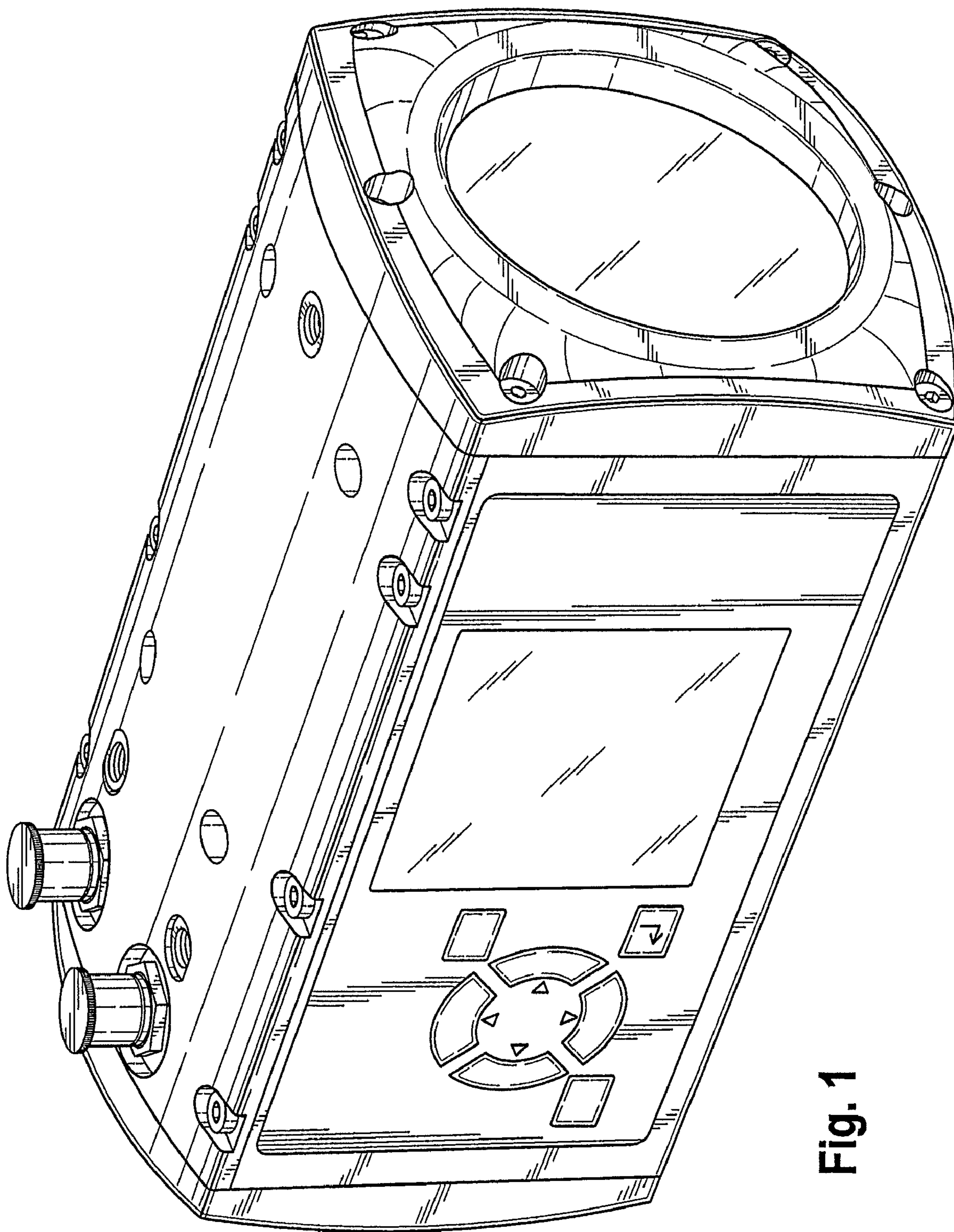


Fig. 1

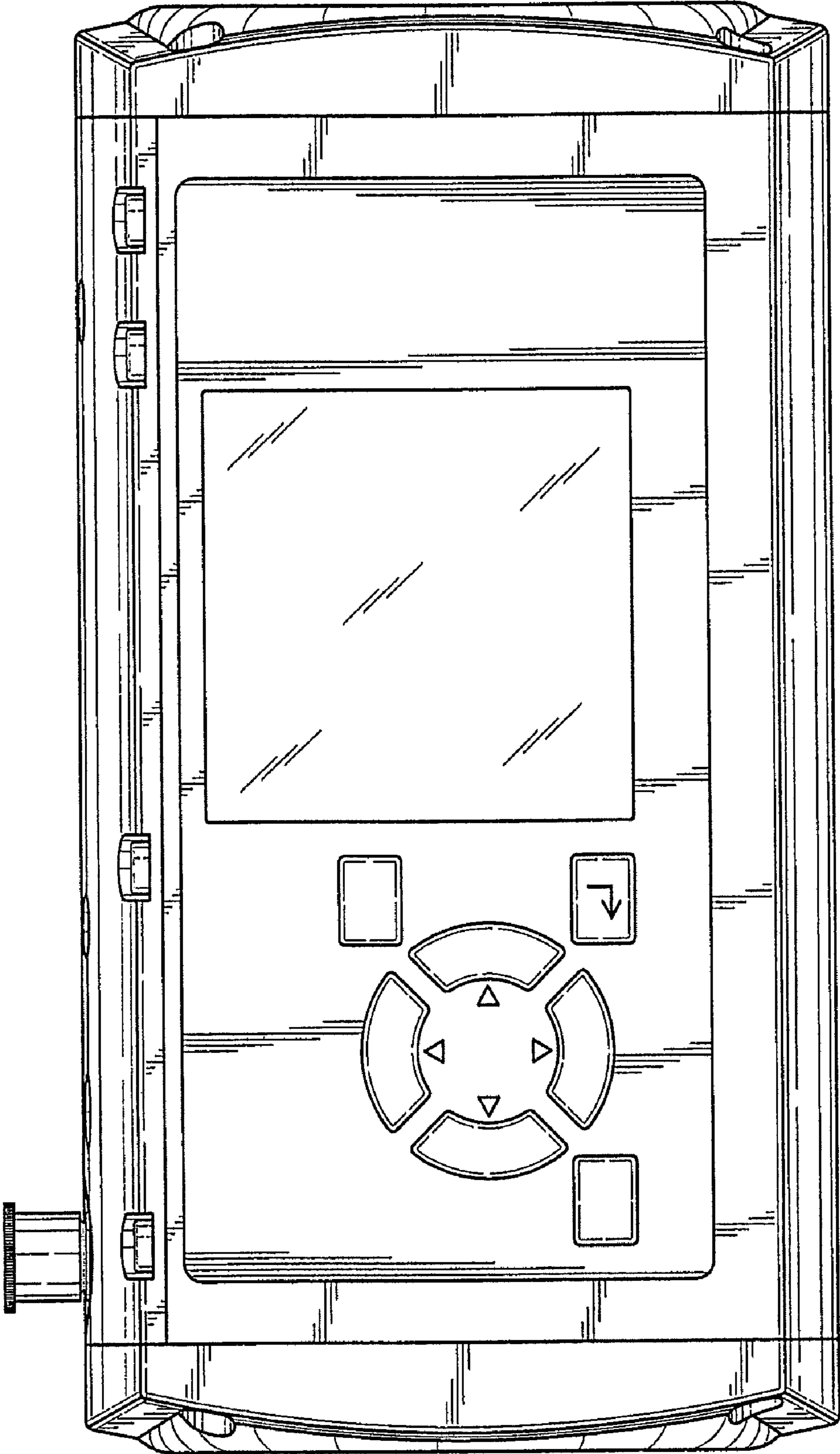


Fig. 2

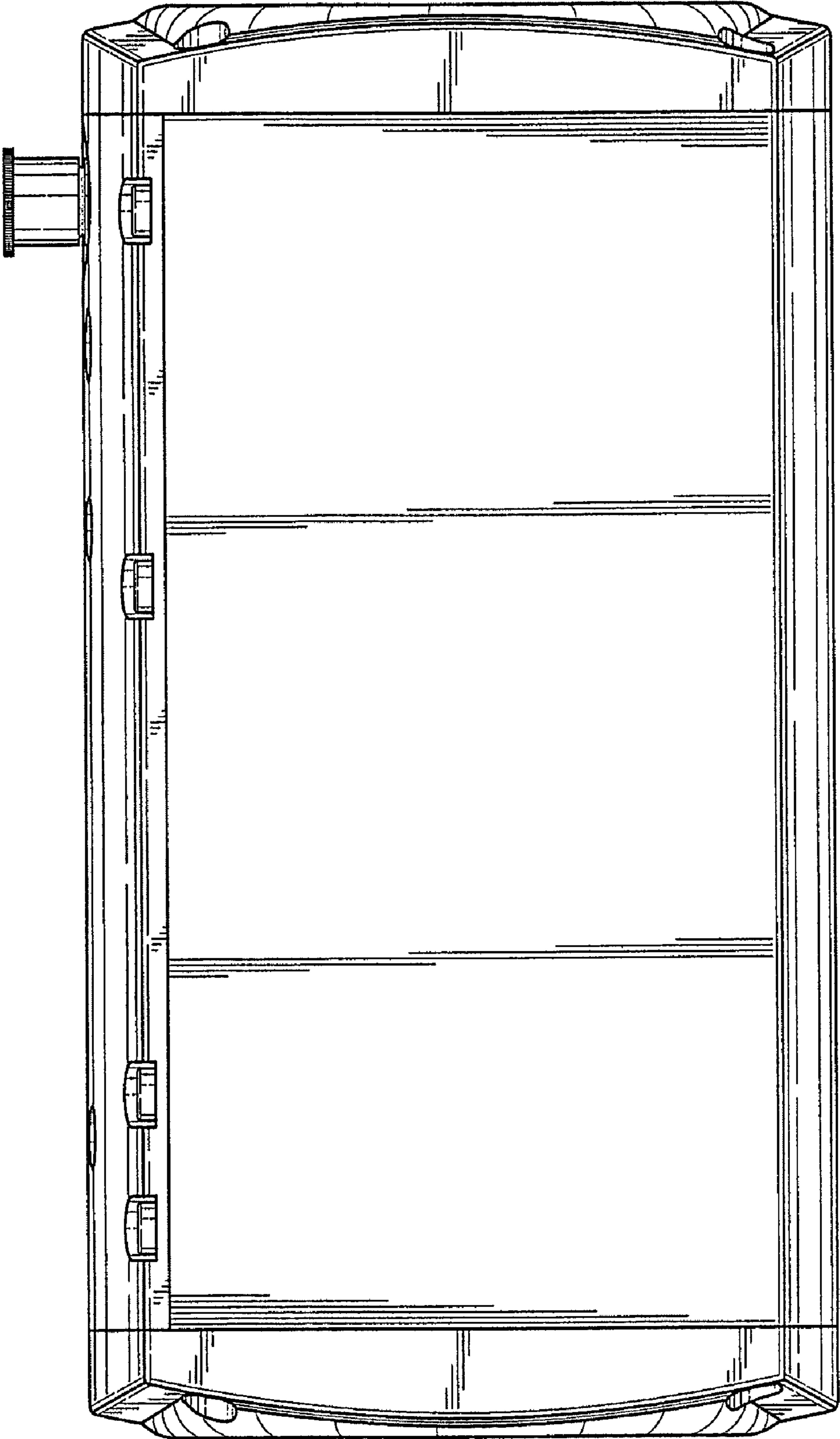


Fig. 3

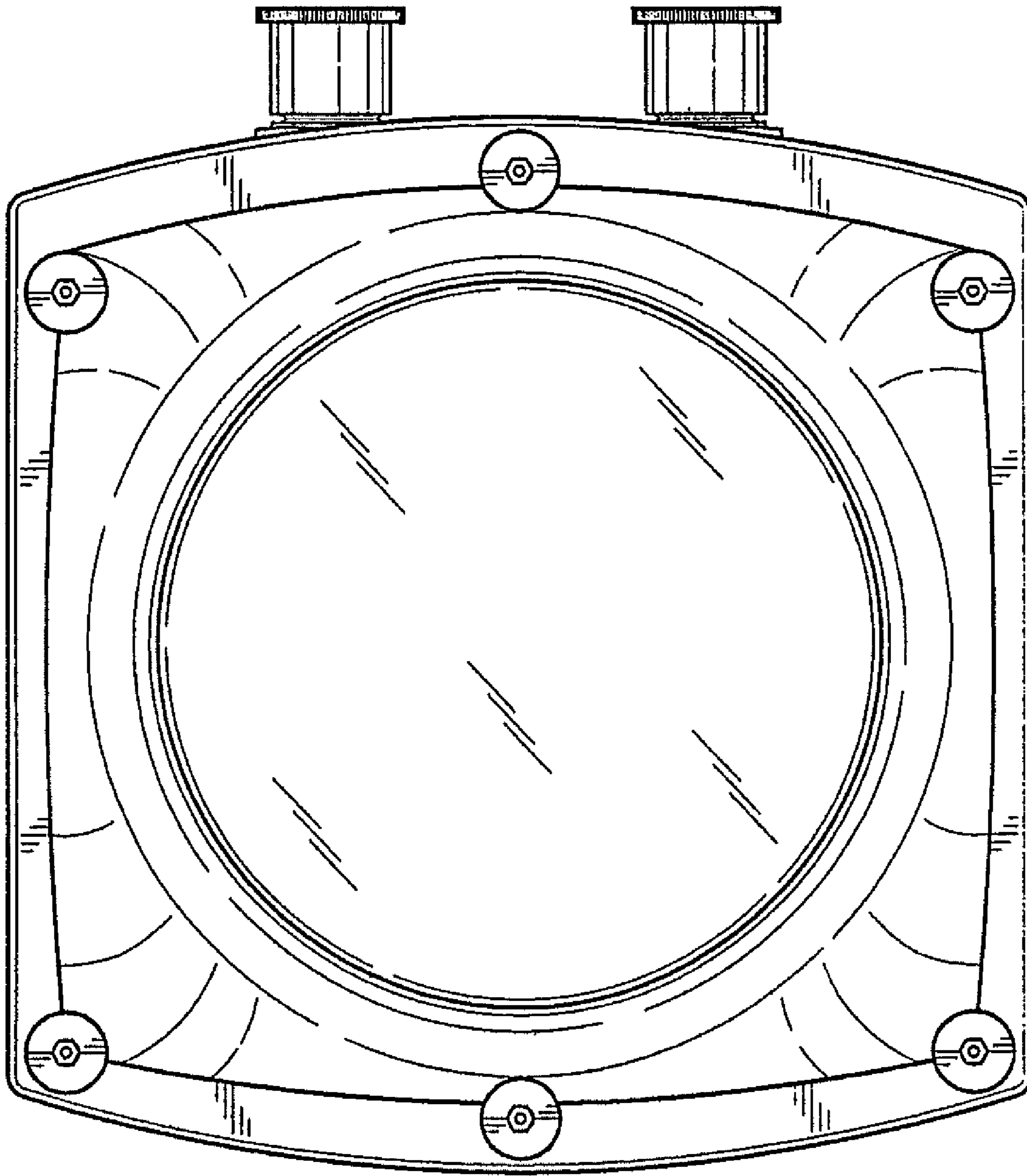


Fig. 4

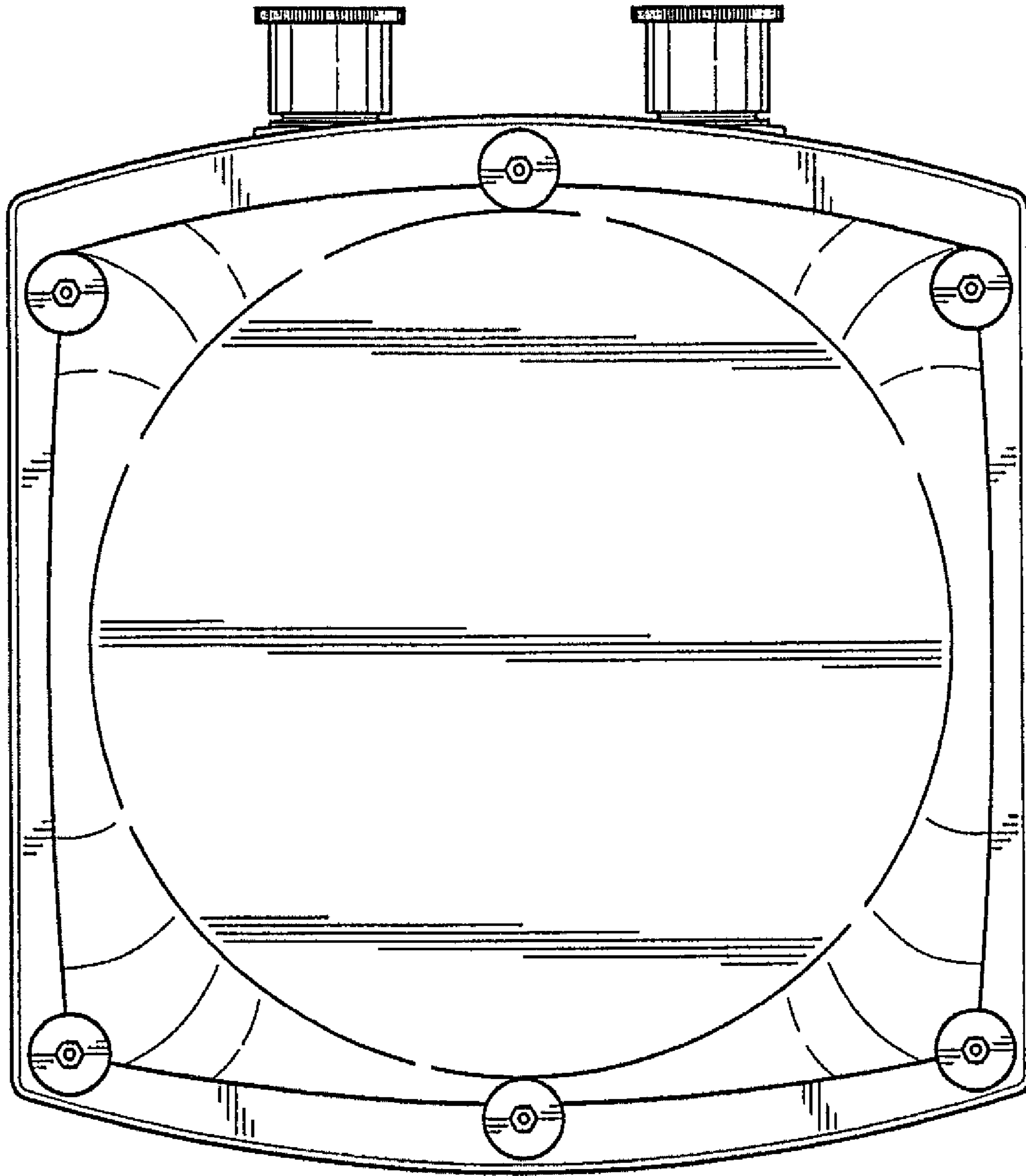


Fig. 5

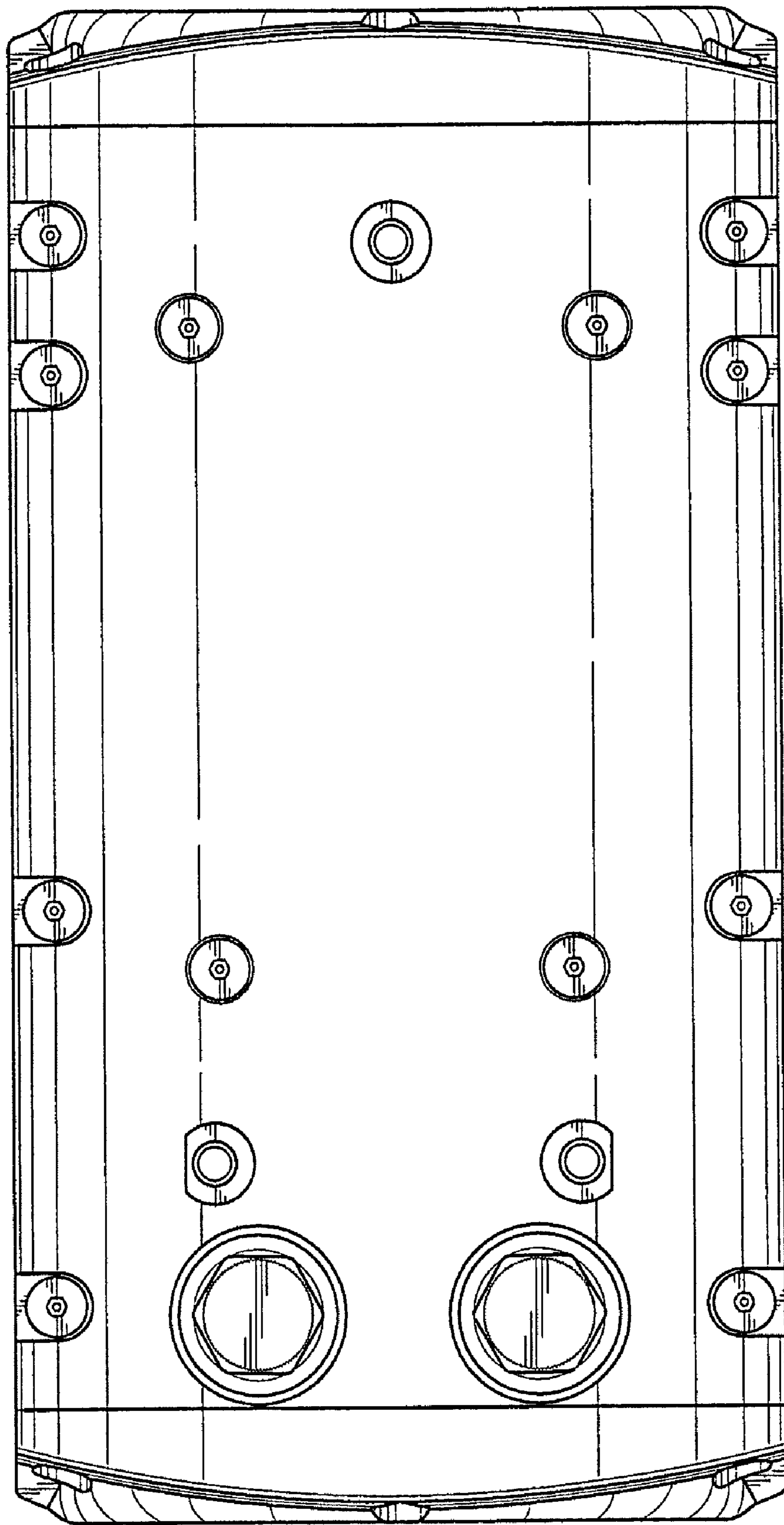


Fig. 6

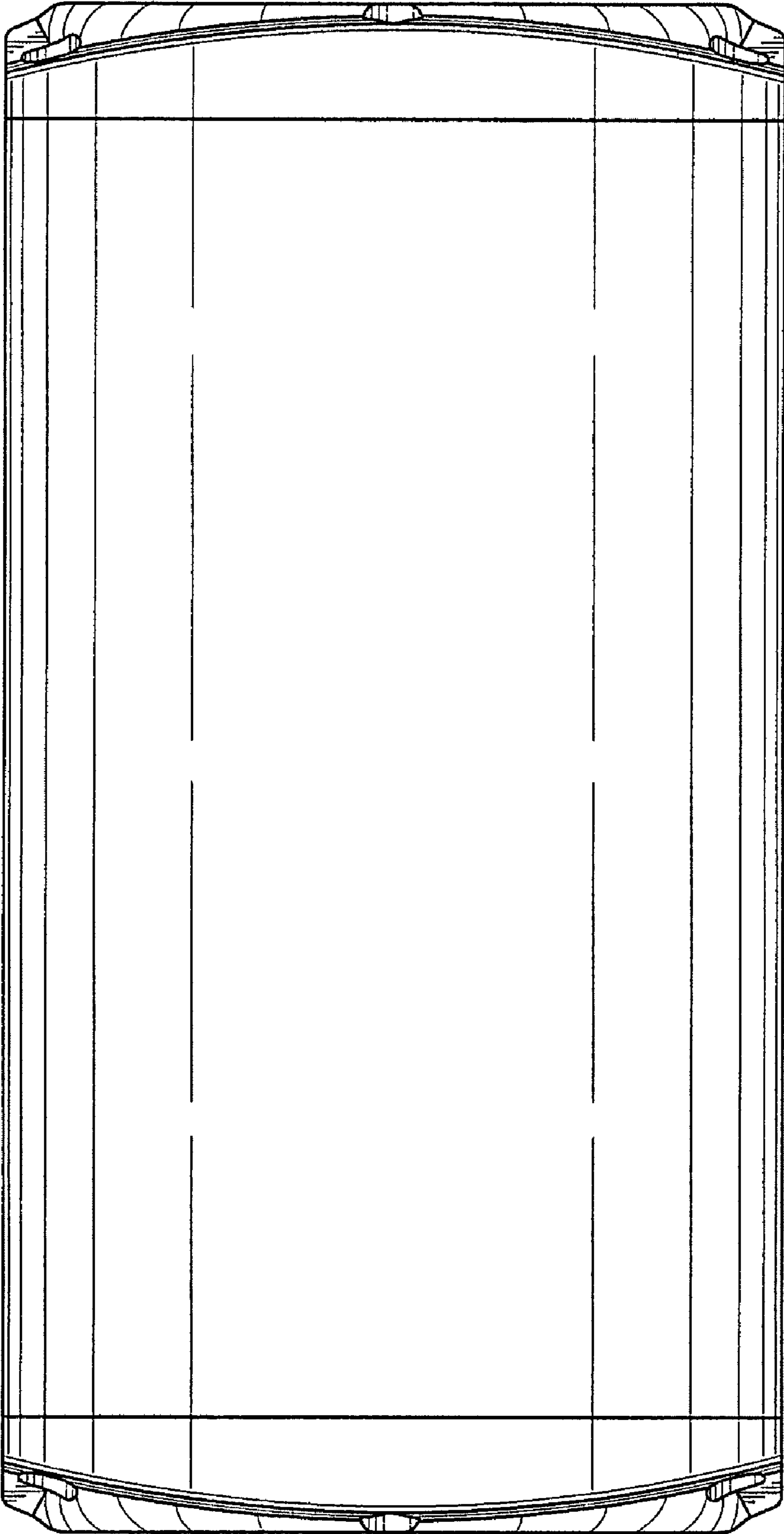


Fig. 7