



US00D600263S

(12) **United States Design Patent**  
**Eckhardt**

(10) **Patent No.:** **US D600,263 S**

(45) **Date of Patent:** **\*\* Sep. 15, 2009**

(54) **TIRE SEALING AND INFLATION DEVICE**

(75) Inventor: **Arnold Eckhardt, Ranstartdt (DE)**

(73) Assignee: **Sumitomo Rubber Industries, Ltd.,  
Kobe (JP)**

(\*\*) Term: **14 Years**

(21) Appl. No.: **29/334,220**

(22) Filed: **Mar. 23, 2009**

(30) **Foreign Application Priority Data**

Sep. 24, 2008 (EM) ..... 001020929-0001

(51) **LOC (9) Cl.** ..... **15-99**

(52) **U.S. Cl.** ..... **D15/199**

(58) **Field of Classification Search** ..... D8/105,  
D8/499; D10/40, 46; D15/199; 141/38,  
141/67, 100; 152/415

See application file for complete search history.

(56) **References Cited**

**U.S. PATENT DOCUMENTS**

4,284,451 A \* 8/1981 Conley ..... 156/97  
D301,016 S \* 5/1989 Fauerskov ..... D10/46  
D307,399 S \* 4/1990 Collister ..... D10/46  
D319,406 S \* 8/1991 Smith ..... D10/104  
D362,810 S \* 10/1995 Seaburn et al. .... D10/46  
D509,838 S \* 9/2005 Wong ..... D15/199

D569,214 S \* 5/2008 Telfser ..... D8/105  
D574,866 S \* 8/2008 Yoshida ..... D15/199  
D578,906 S \* 10/2008 Gatz et al. .... D10/46  
D582,795 S \* 12/2008 Stekelenburg ..... D10/40  
2004/0159365 A1 \* 8/2004 Cowan et al. .... 141/38  
2006/0151051 A1 \* 7/2006 Py et al. .... 141/67

\* cited by examiner

*Primary Examiner*—Sandra Snapp

*Assistant Examiner*—Patricia Palasik

(74) *Attorney, Agent, or Firm*—Birch, Stewart, Kolasch &  
Birch, LLP

(57) **CLAIM**

The ornamental design for a tire sealing and inflation device,  
as shown and described.

**DESCRIPTION**

FIG. 1 is a front, right, top perspective view of a tire sealing and  
inflation device showing my new design;

FIG. 2 is a top view thereof;

FIG. 3 is a bottom view thereof;

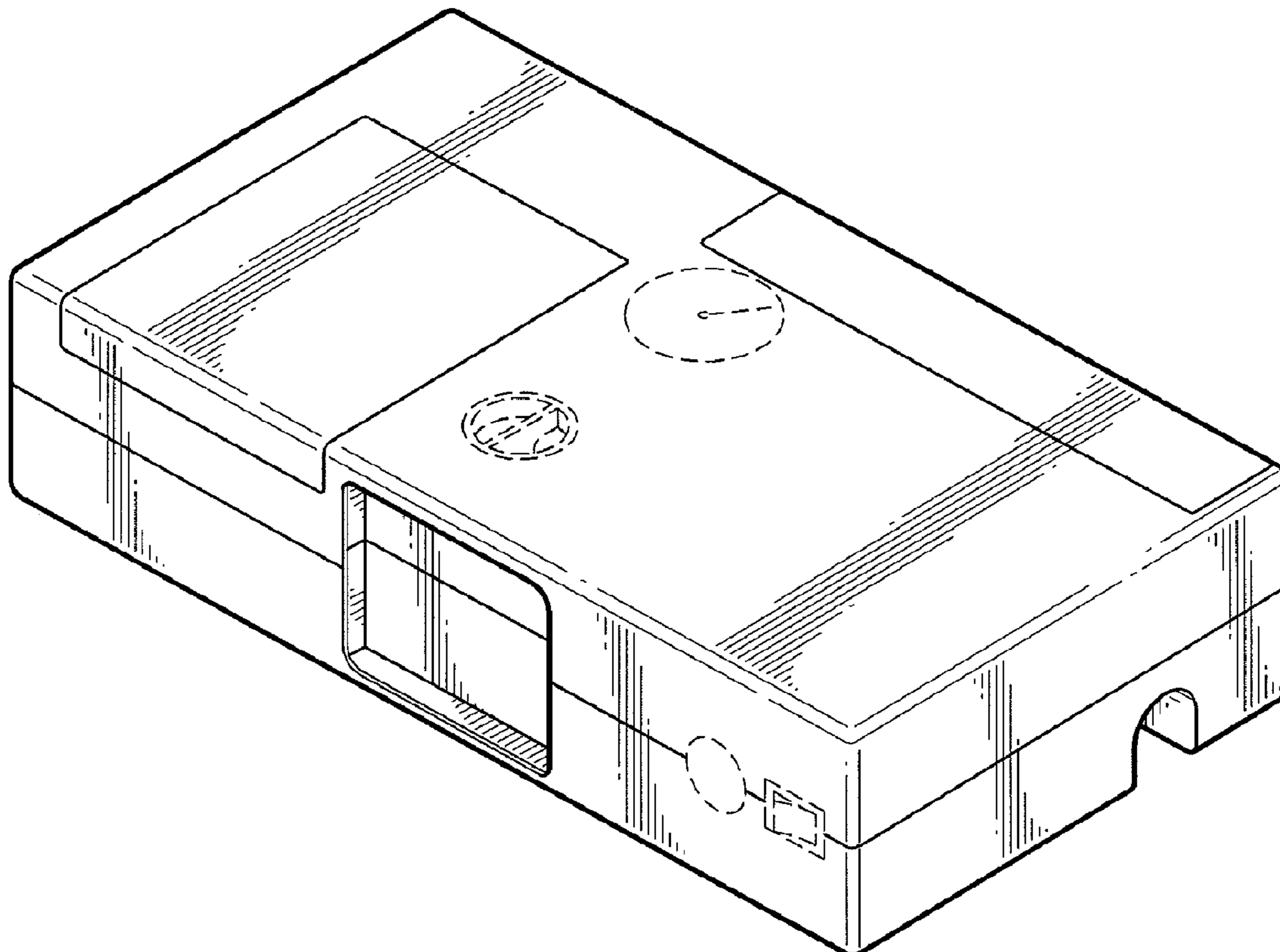
FIG. 4 is a front view thereof;

FIG. 5 is a rear view thereof;

FIG. 6 is a right side view thereof; and,

FIG. 7 is a left side view thereof.

**1 Claim, 4 Drawing Sheets**



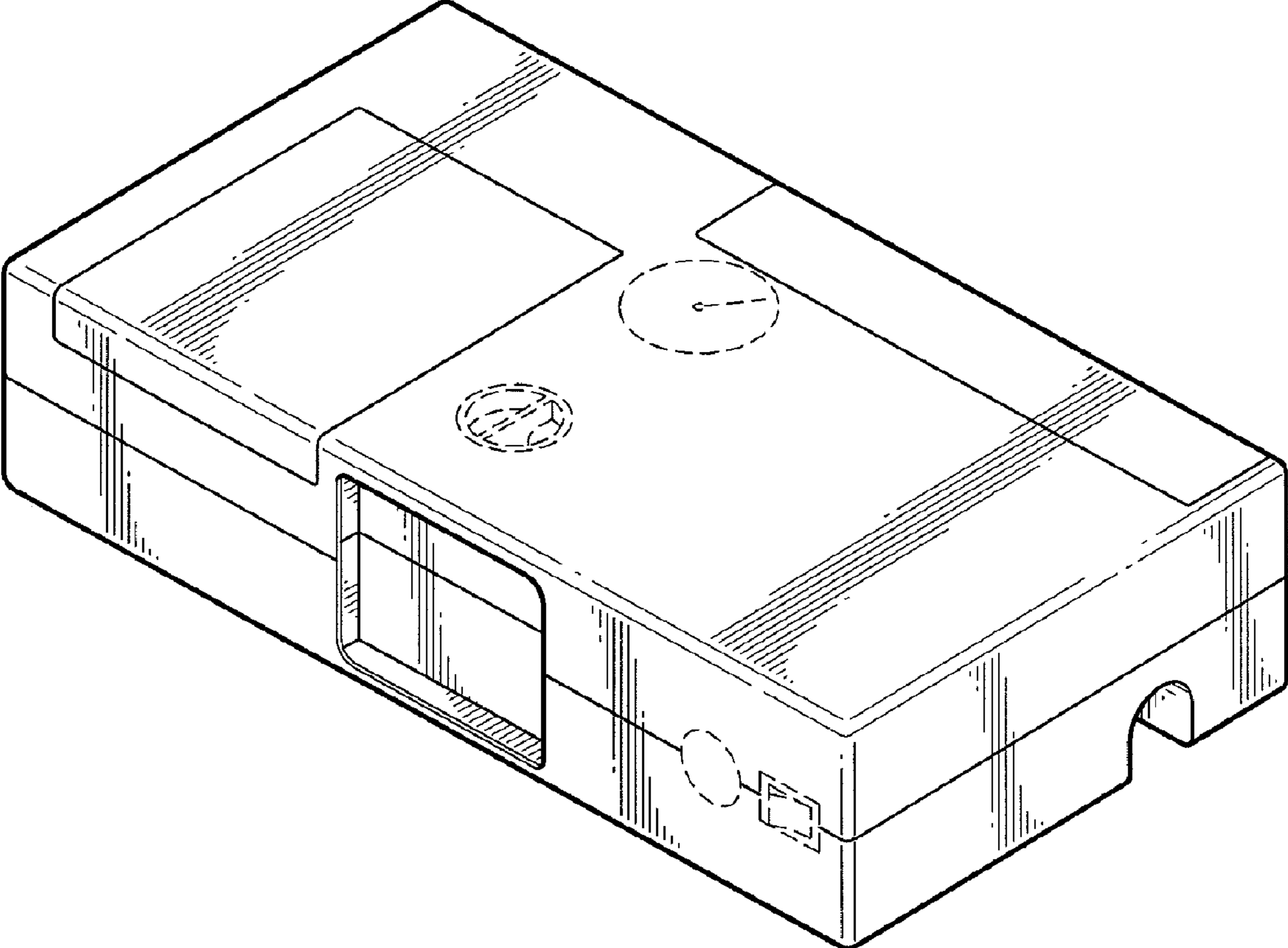


FIG.1

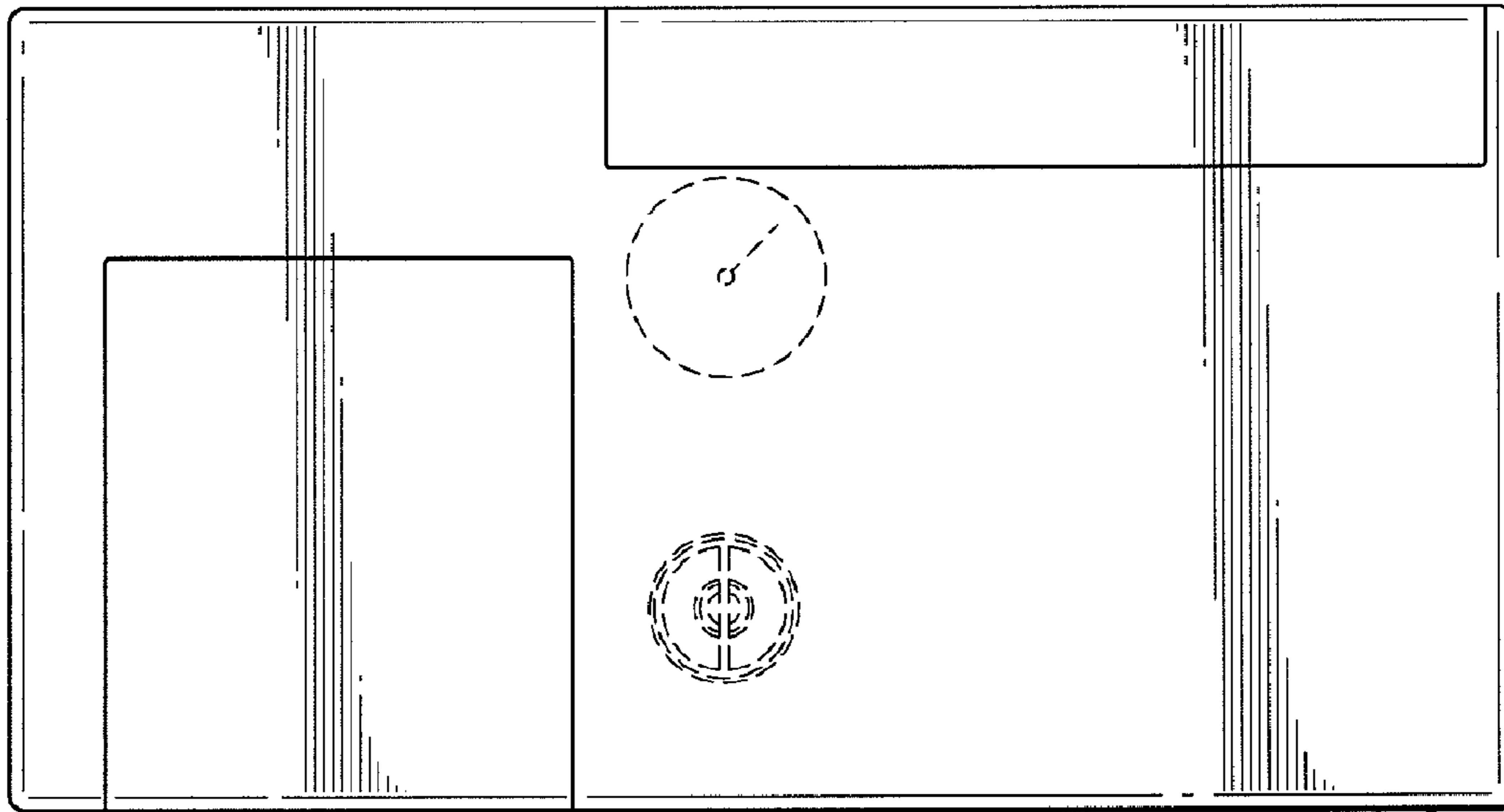


FIG. 2

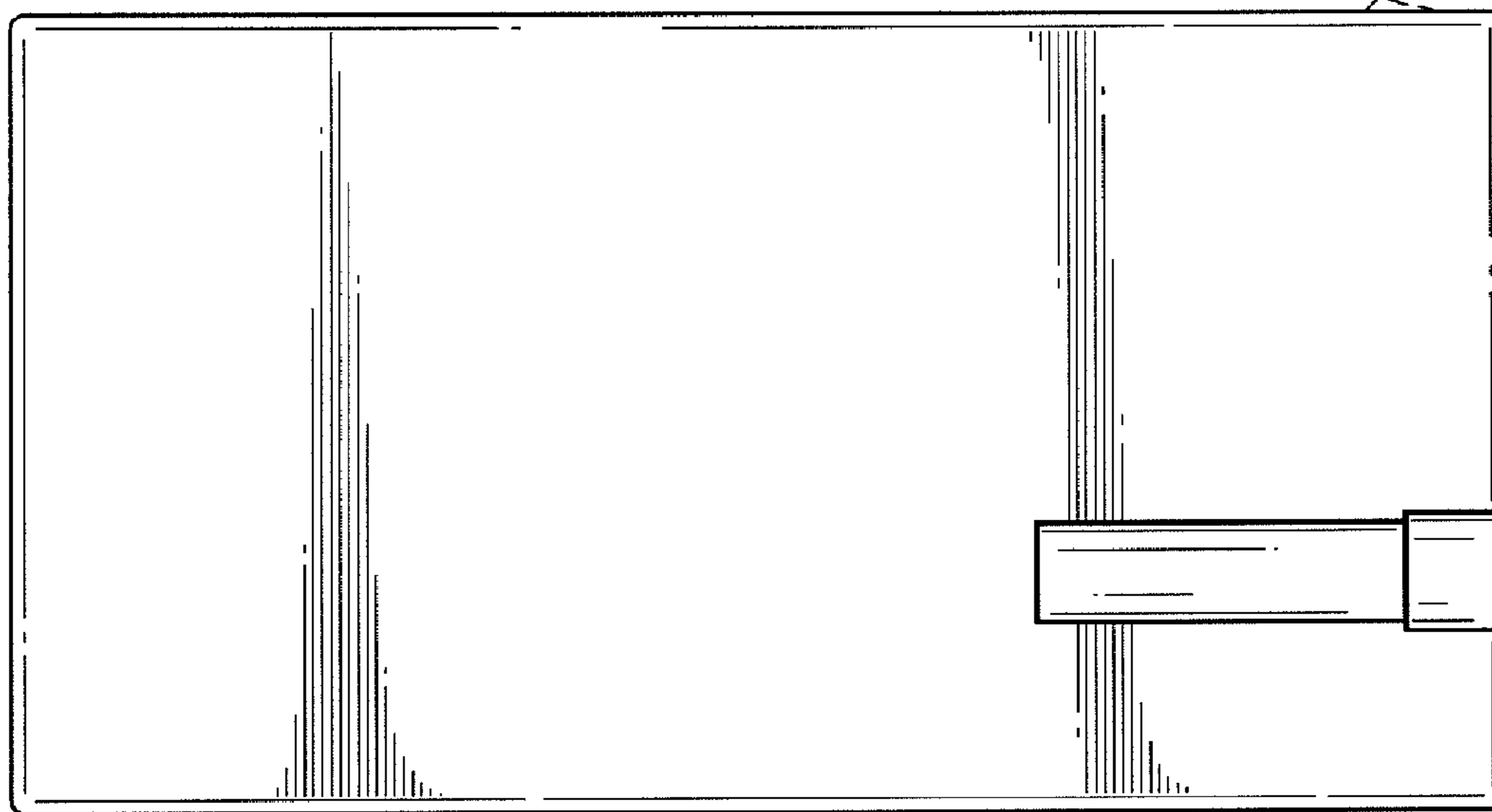


FIG. 3

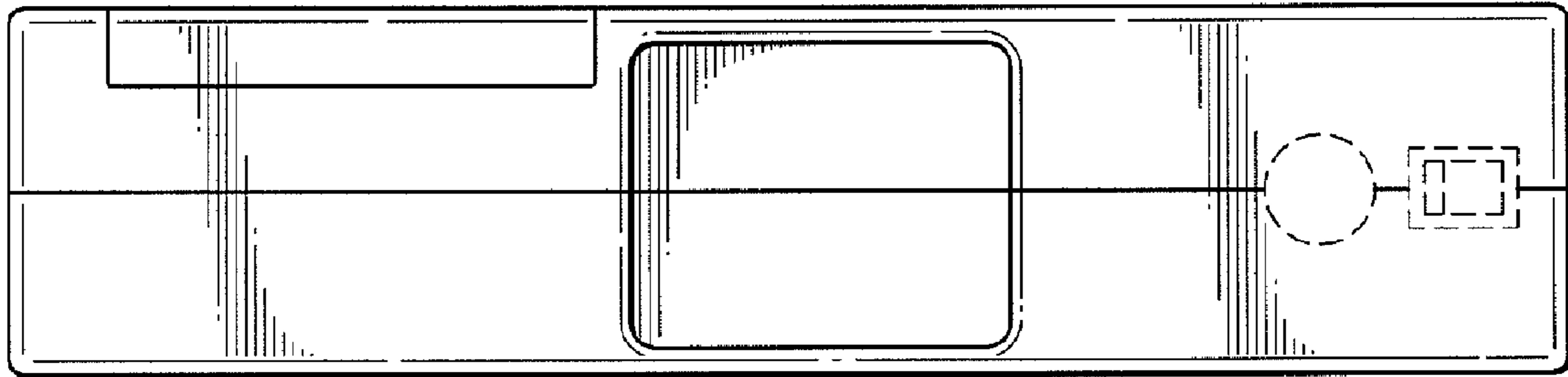


FIG. 4

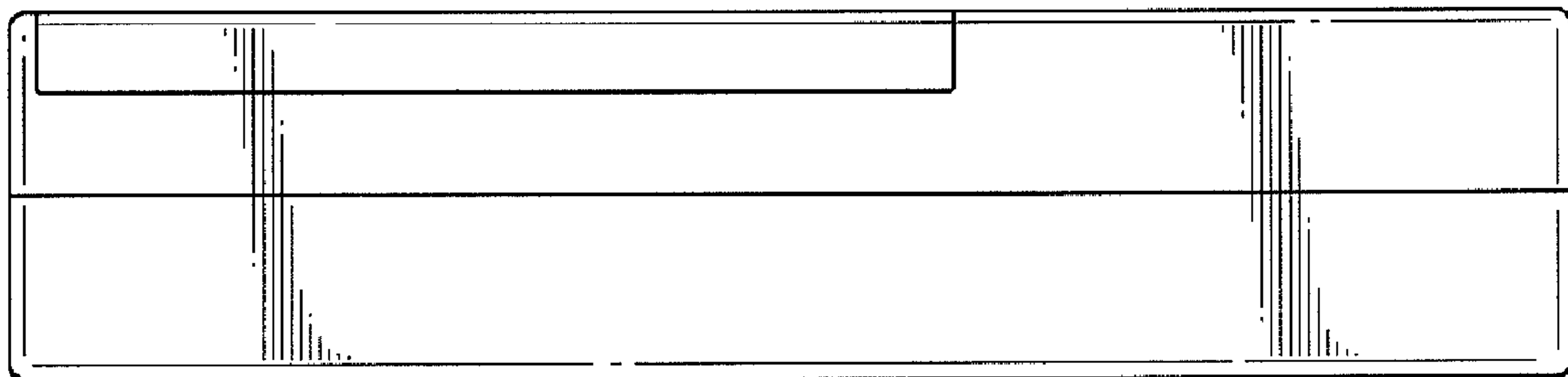


FIG. 5

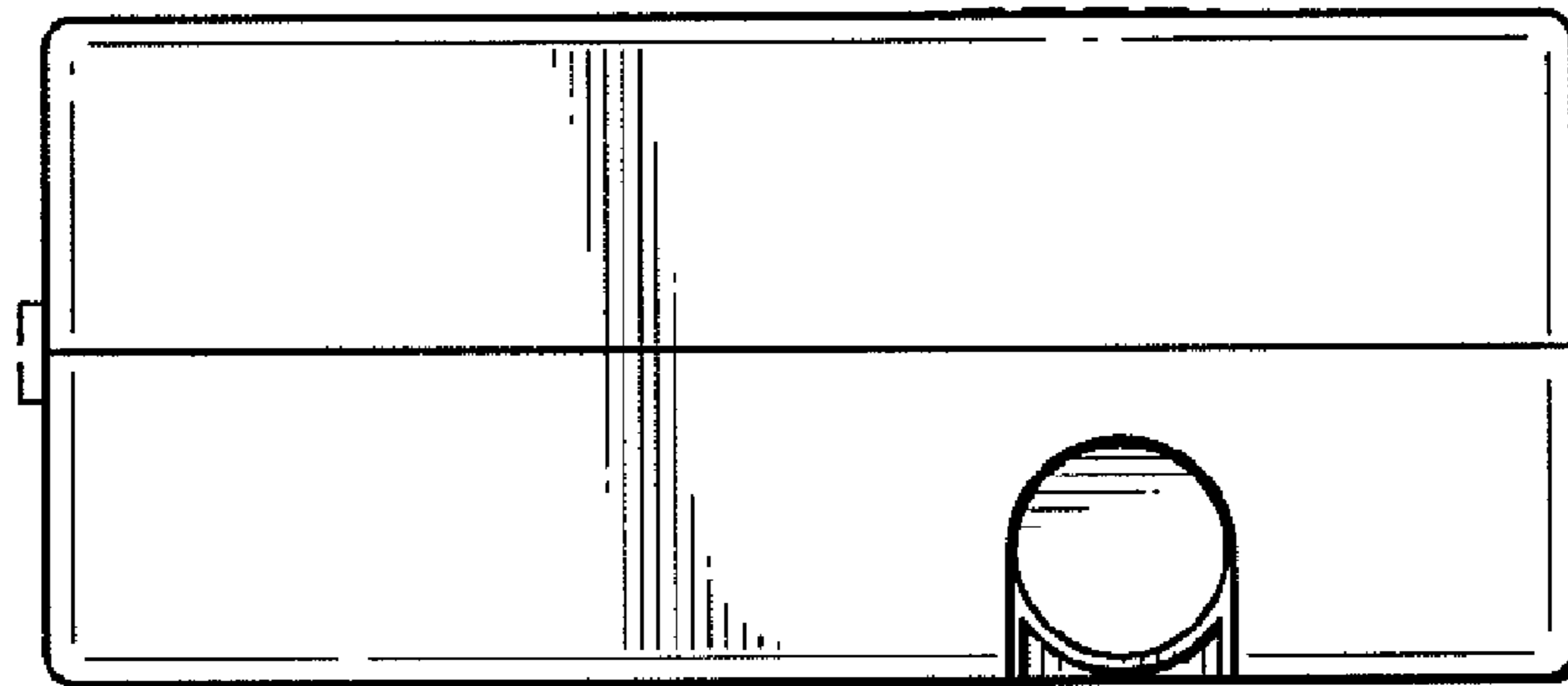


FIG. 6

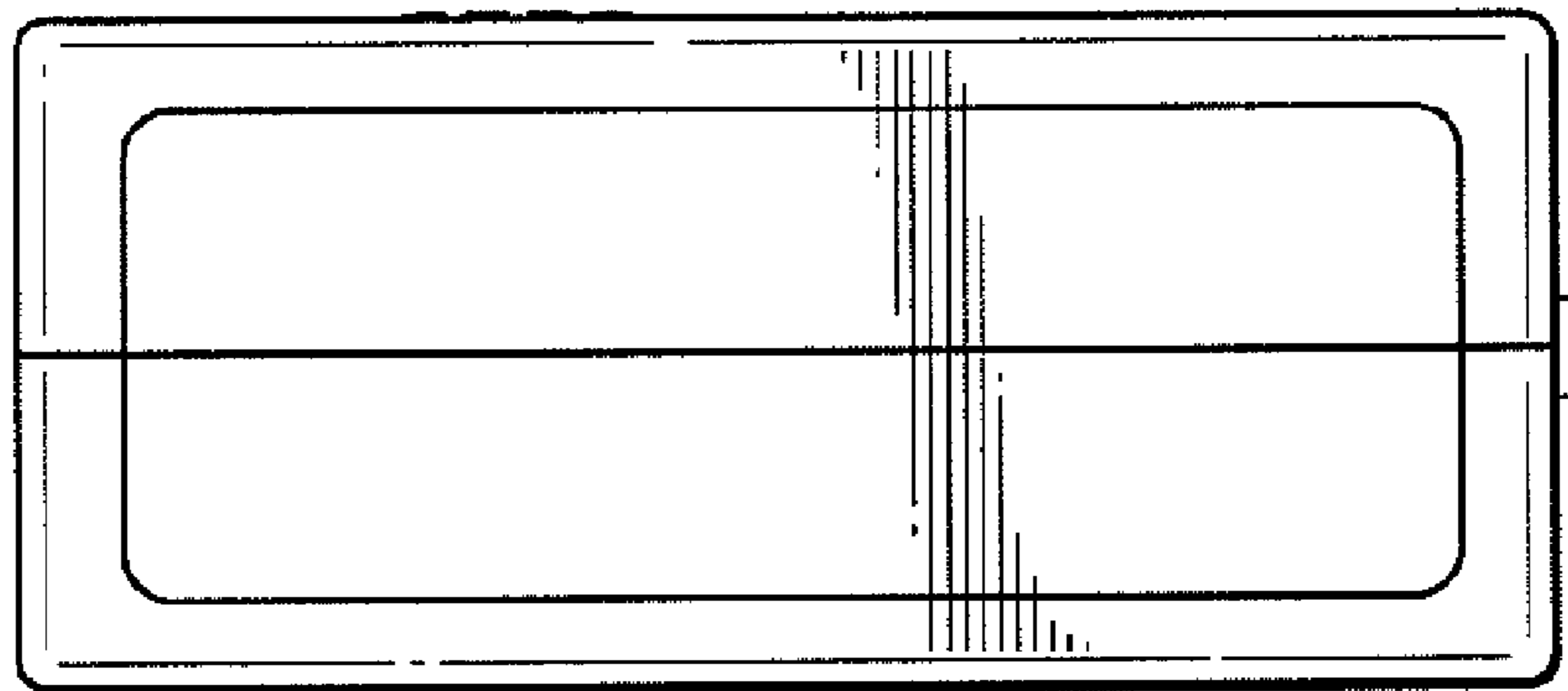


FIG. 7