



(12) **United States Design Patent**
Anezaki et al.

(10) **Patent No.:** **US D600,256 S**
(45) **Date of Patent:** **** Sep. 15, 2009**

(54) **PORTION OF A PRESSER FOOT FOR A SEWING MACHINE**

(75) Inventors: **Tomoaki Anezaki**, Kasugai (JP); **Taichi Fukushima**, Kasugai (JP)

(73) Assignee: **Tokai Kogyo Mishin Kabushiki Kaisha** (JP)

(**) Term: **14 Years**

(21) Appl. No.: **29/306,844**

(22) Filed: **Apr. 17, 2008**

(30) **Foreign Application Priority Data**

Oct. 17, 2007 (JP) 2007-028479

(51) **LOC (9) Cl.** **15-06**

(52) **U.S. Cl.** **D15/72; D15/78**

(58) **Field of Classification Search** D15/66-78;
D3/23; D8/354, 358; D22/137; 112/151,
112/231, 235, 236, 237, 239, 240, 302
See application file for complete search history.

(56) **References Cited**

U.S. PATENT DOCUMENTS

D134,724	S	*	1/1943	Stevens	D3/23
3,087,447	A	*	4/1963	Adam	112/231
D211,703	S	*	7/1968	Carlile et al.	D15/72
D311,486	S	*	10/1990	Hickman	D8/358
D397,698	S	*	9/1998	Rendahl	D15/72
D399,855	S	*	10/1998	Ito	D15/133
D406,049	S	*	2/1999	Bernat	D8/358

D410,991	S	*	6/1999	Miyazaki	D22/137
D466,535	S	*	12/2002	Shimizu et al.	D15/78
D468,190	S	*	1/2003	Kennedy et al.	D8/358
D472,906	S	*	4/2003	Shimizu et al.	D15/78
D514,135	S	*	1/2006	Kawaguchi	D15/78
D515,112	S	*	2/2006	Kawaguchi	D15/78

* cited by examiner

Primary Examiner—Stella M Reid

Assistant Examiner—Shanda C Hill

(74) *Attorney, Agent, or Firm*—Rossi, Kimms & McDowell, LLP

(57) **CLAIM**

We claim the ornamental design for a portion of a presser foot for a sewing machine, as shown and described.

DESCRIPTION

FIG. 1A is a perspective view of the presser foot for a sewing machine showing our new design;

FIG. 1B is an enlarged view of a section of FIG. 1A;

FIG. 2 is a front elevational view thereof;

FIG. 3 is a rear elevational view thereof;

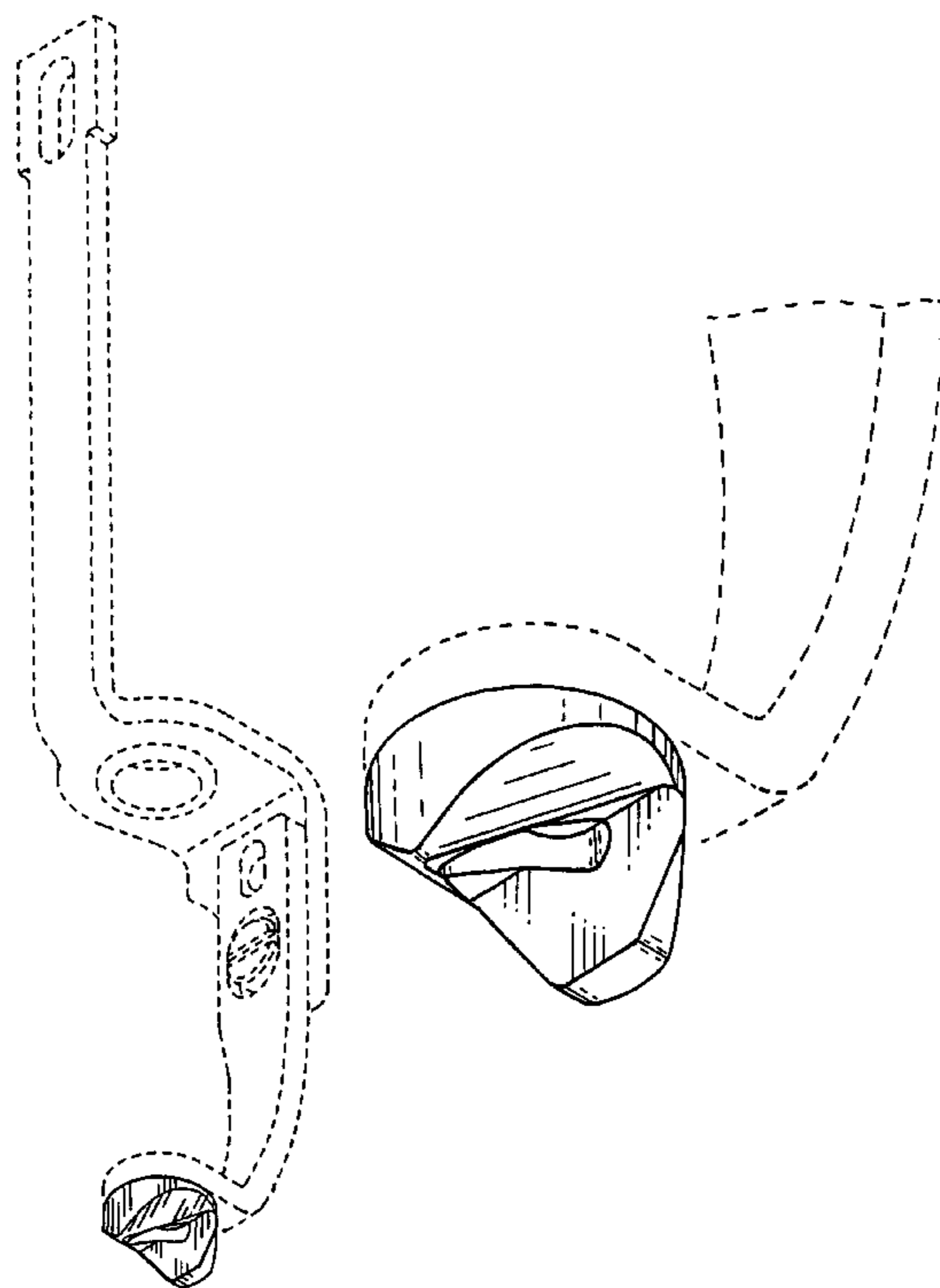
FIG. 4 is a right side elevational view thereof, the left side elevational view being a mirror image;

FIG. 5 is a top plan view thereof; and,

FIG. 6 is a bottom plan view thereof.

The broken lines shown in the drawing disclosure are for illustrative purposes only and form no part of the claimed design.

1 Claim, 3 Drawing Sheets



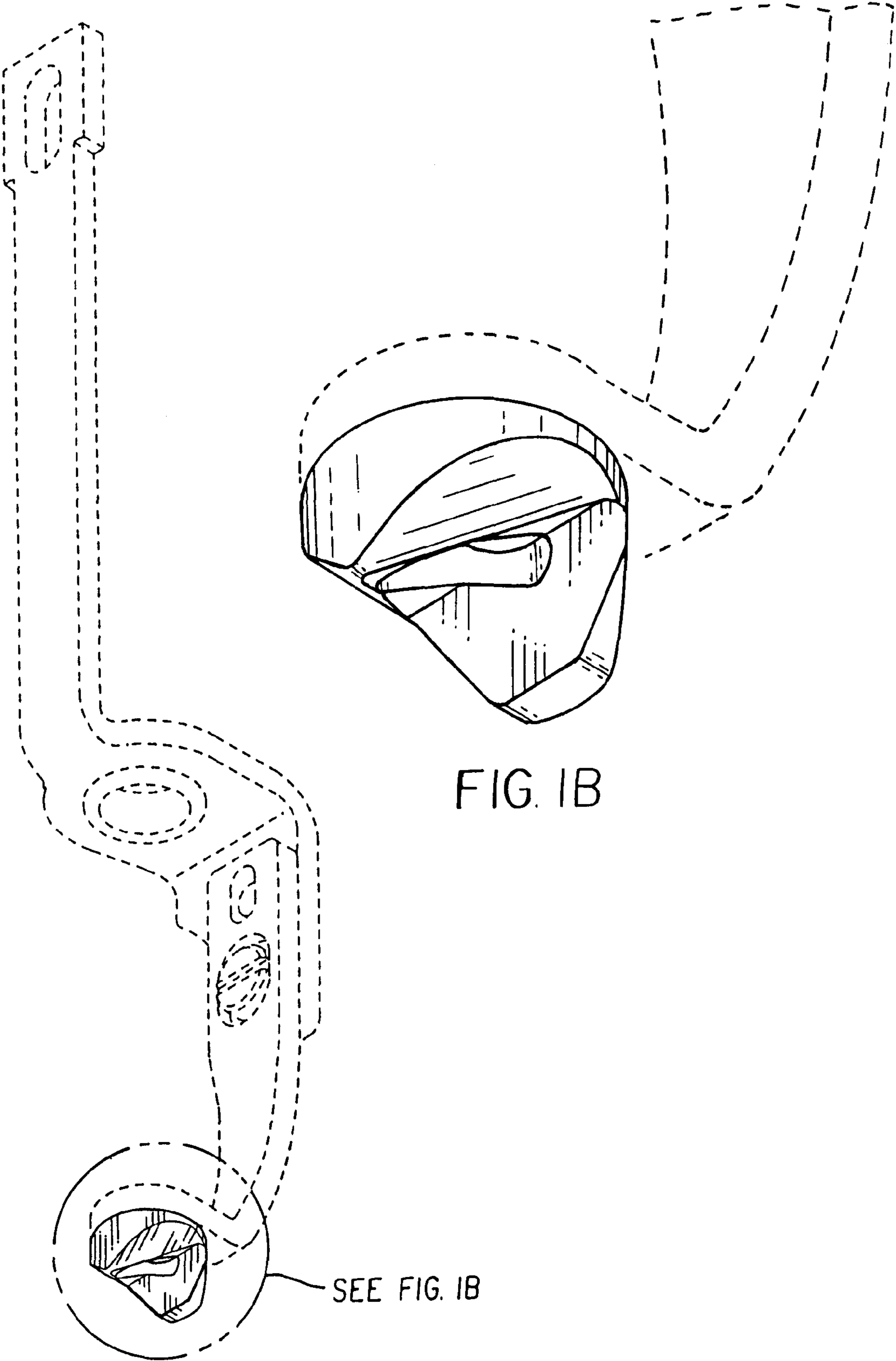


FIG. IB

FIG. IA

SEE FIG. IB

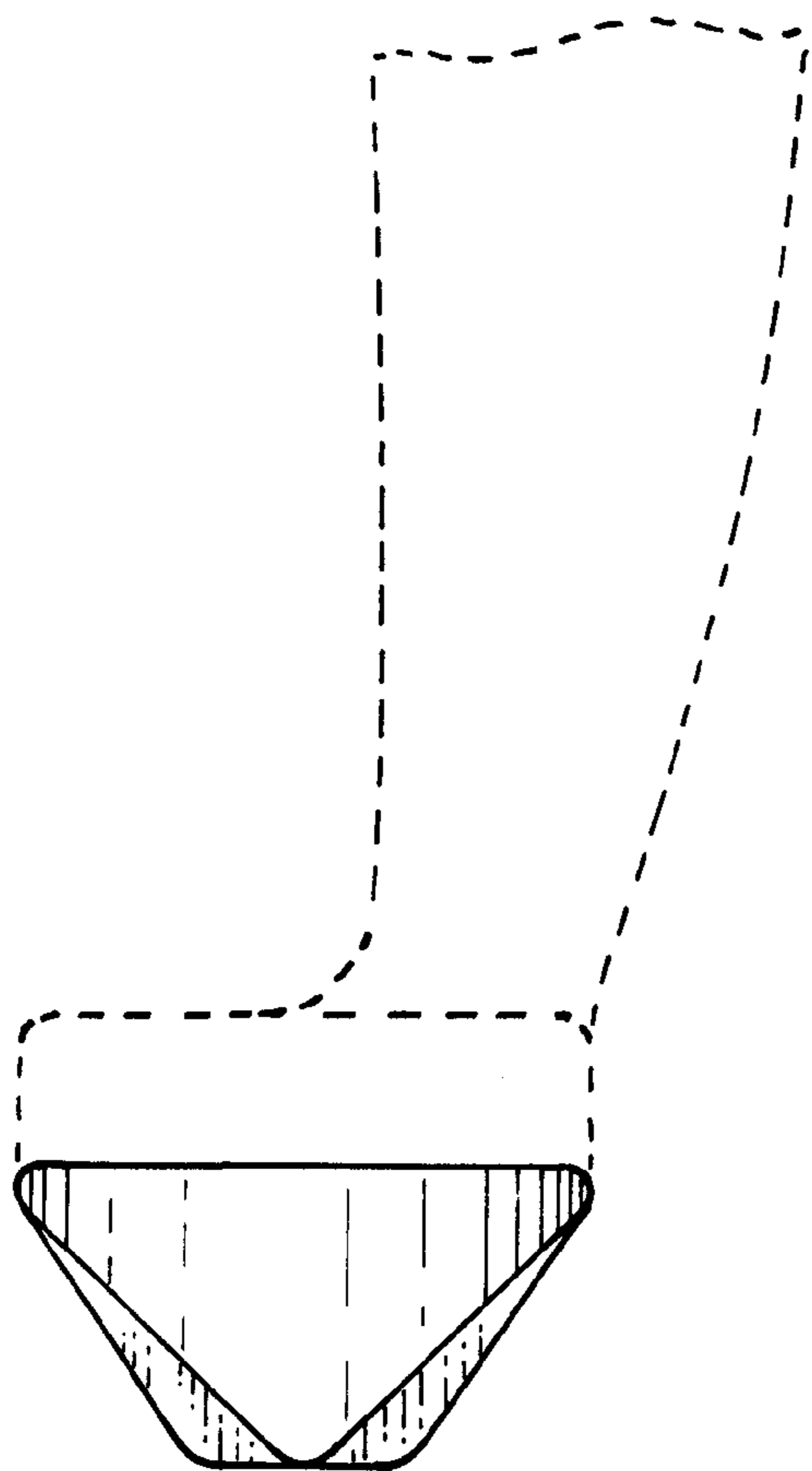


FIG. 2

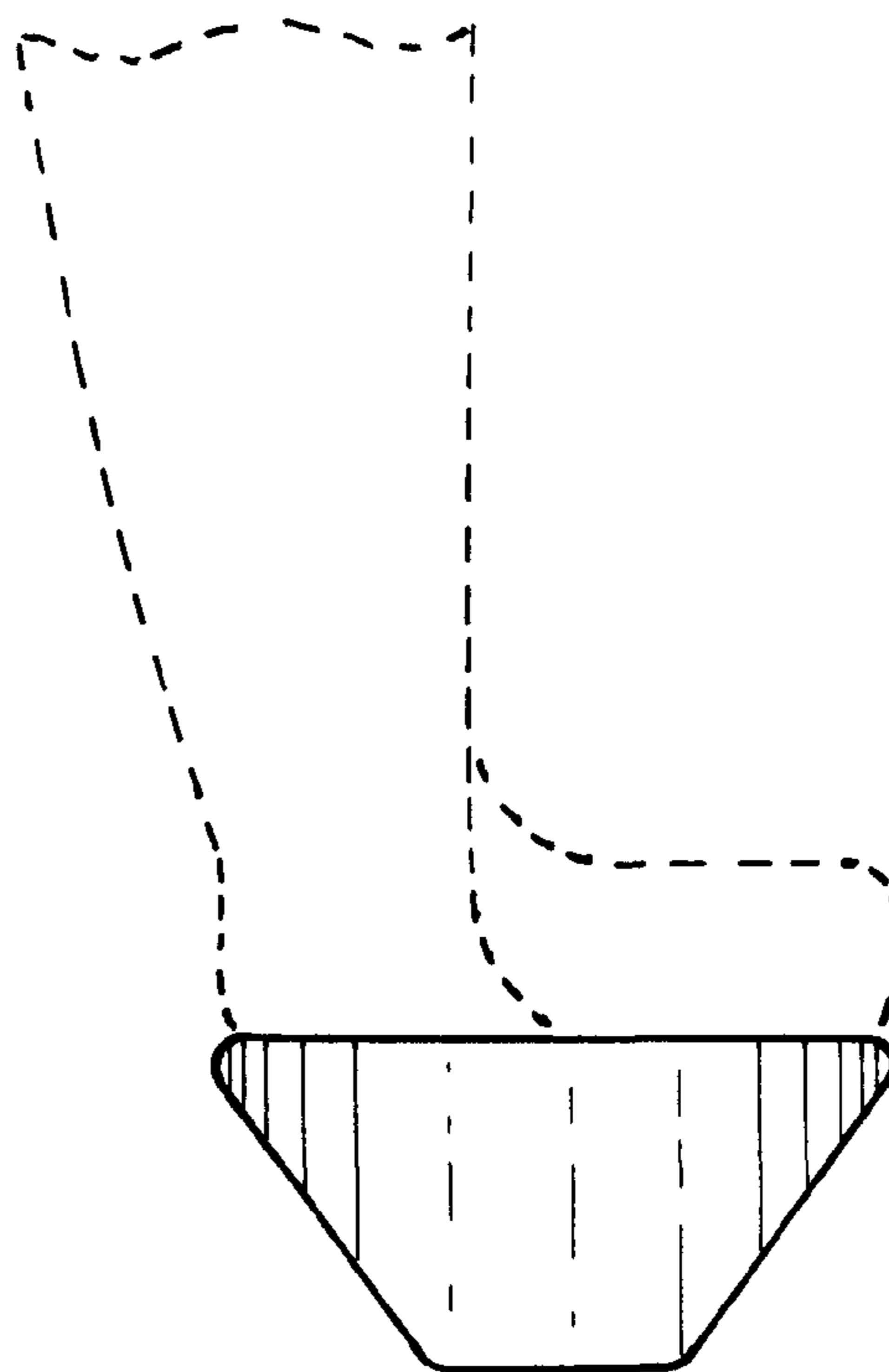


FIG. 3

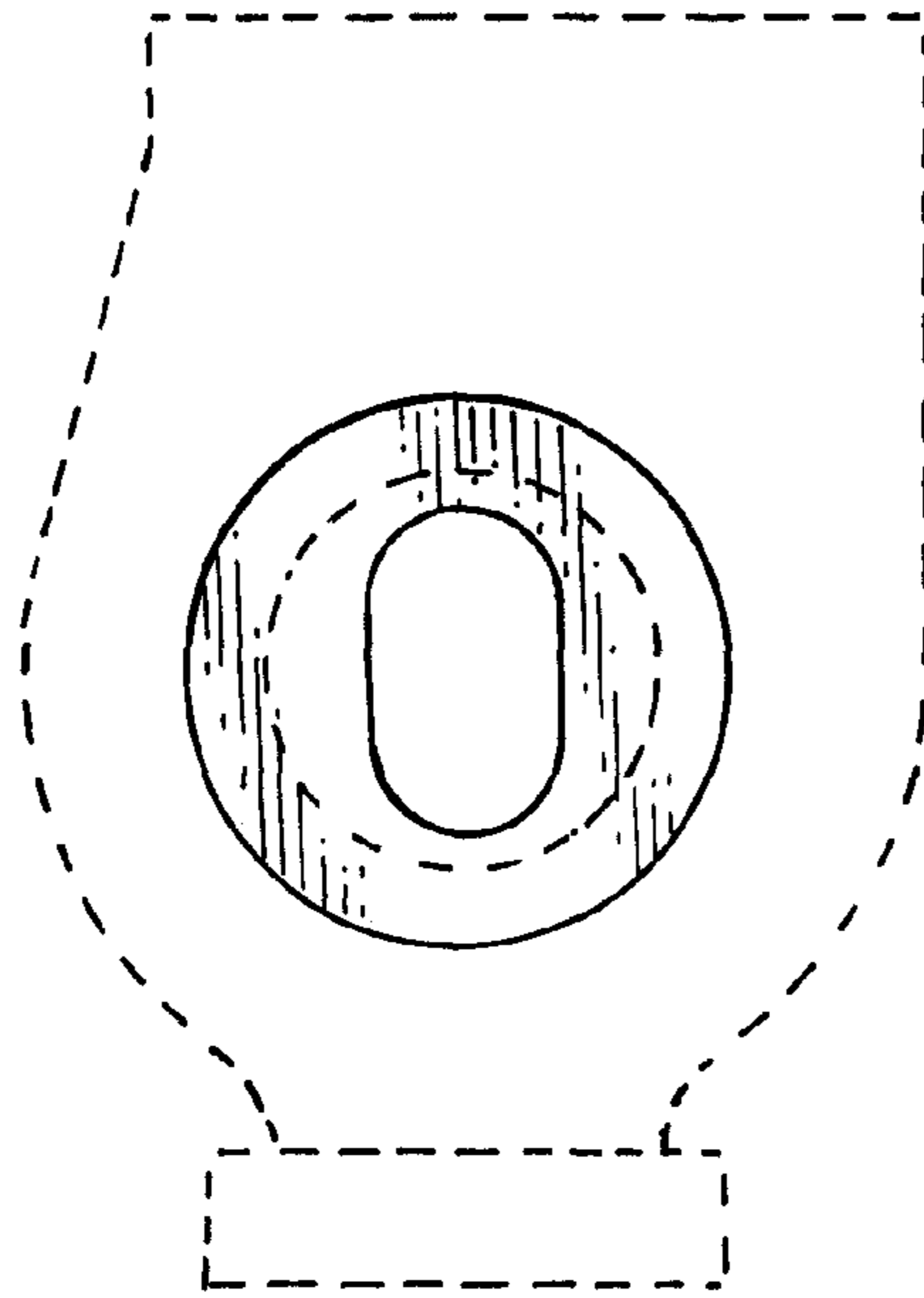


FIG. 5

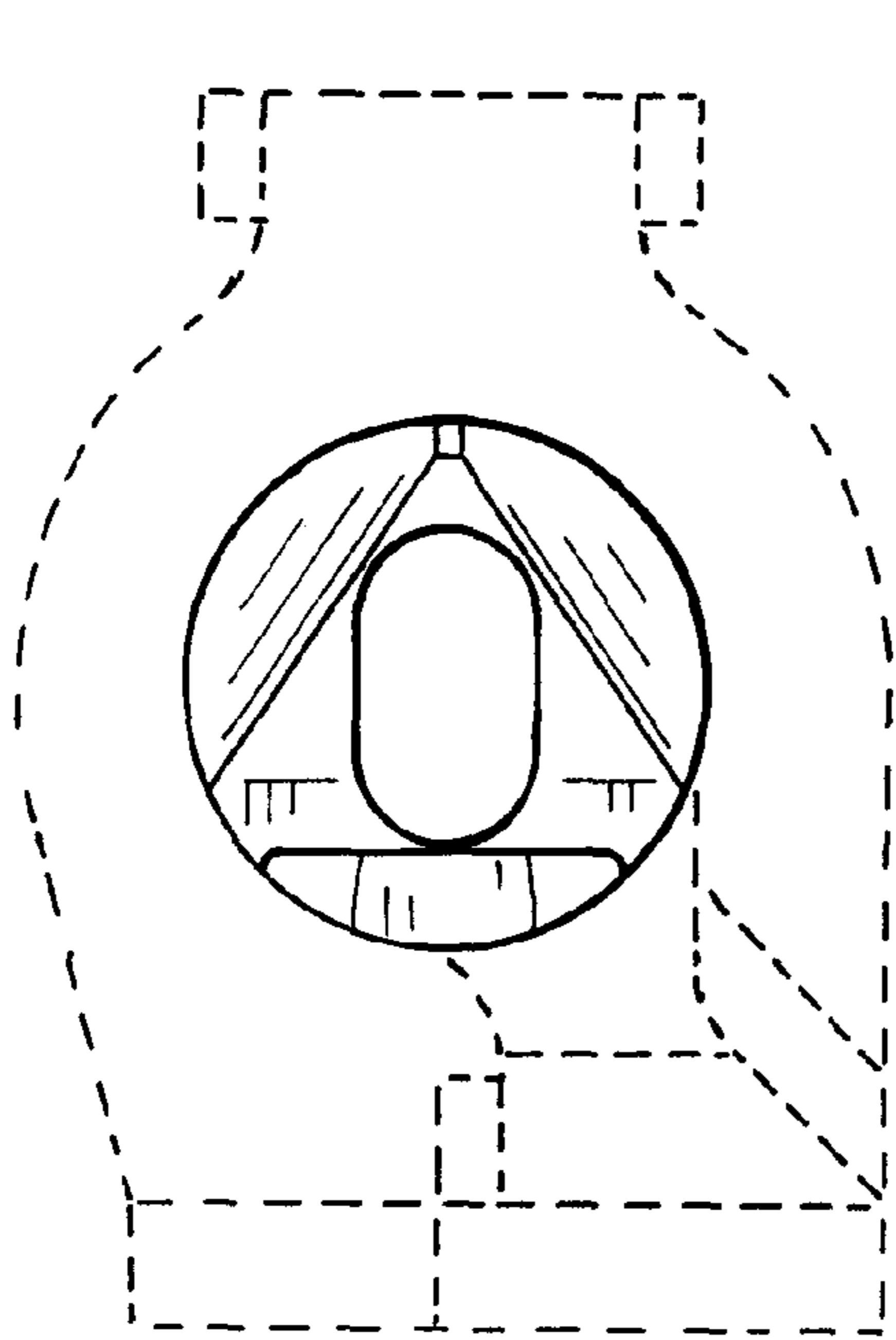


FIG. 6

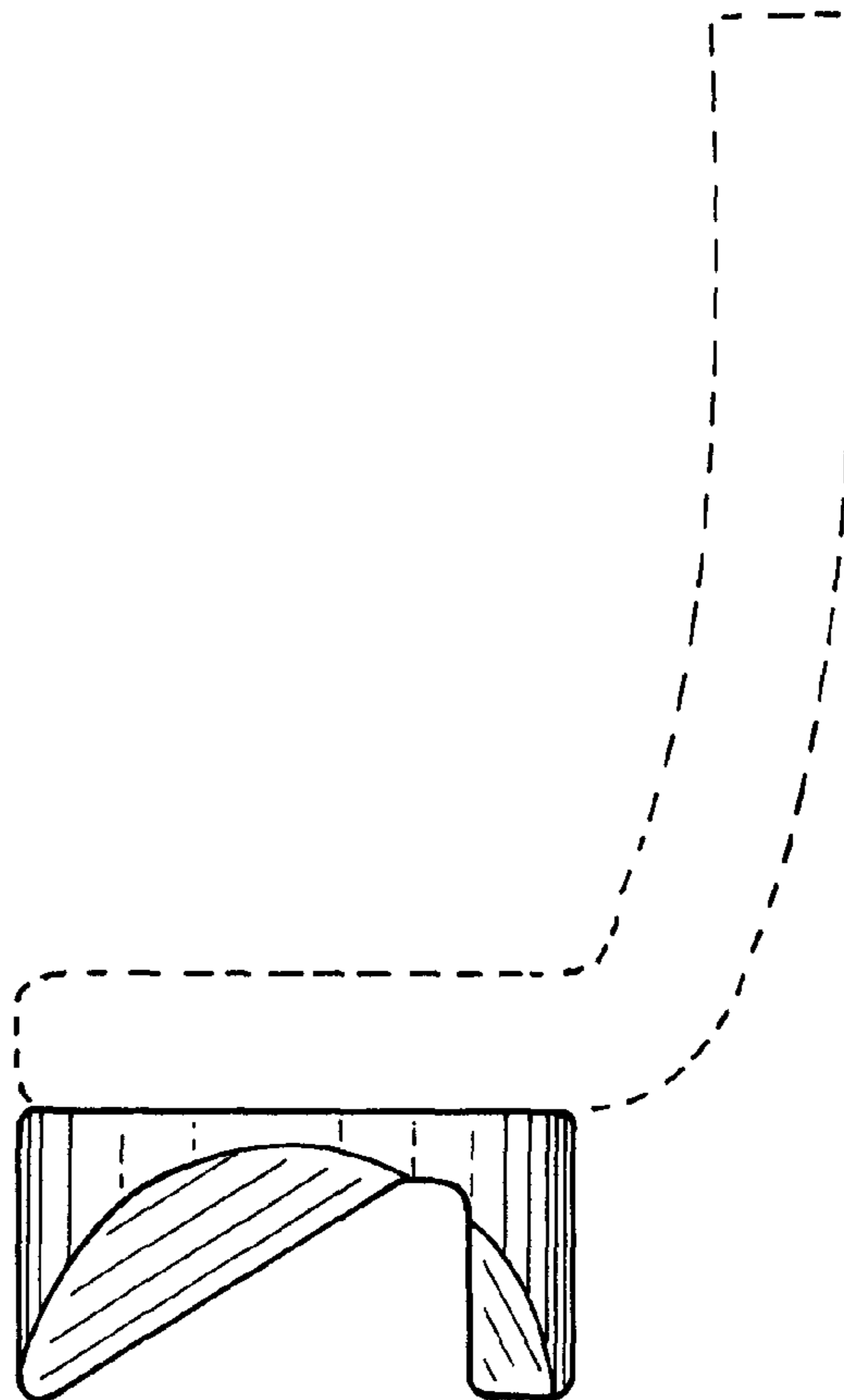


FIG. 4