



US00D600255S

(12) **United States Design Patent**  
**Kushita et al.**

(10) **Patent No.:** **US D600,255 S**

(45) **Date of Patent:** **\*\* Sep. 15, 2009**

(54) **TRACTOR**

(75) Inventors: **Yoshihiro Kushita, Sakai (JP);**  
**Yoshitaka Higashikawa, Sakai (JP)**

(73) Assignee: **Kubota Corporation, Osaka (JP)**

(\*\*) Term: **14 Years**

(21) Appl. No.: **29/310,793**

(22) Filed: **Sep. 10, 2008**

(30) **Foreign Application Priority Data**

Jul. 17, 2008 (JP) ..... 2008-018527

(51) **LOC (9) Cl.** ..... **15-03**

(52) **U.S. Cl.** ..... **D15/26; D15/23**

(58) **Field of Classification Search** ..... D15/10,  
D15/14-17, 22-26; 56/13.4, 13.3, 15.8,  
56/15.9, 16.1, 16.7, 175, 202; 180/89.1,  
180/89.12, 900

See application file for complete search history.

(56) **References Cited**

**U.S. PATENT DOCUMENTS**

D312,465 S \* 11/1990 Yaguchi et al. .... D15/23

D378,755 S \* 4/1997 Kato et al. .... D15/23

D438,546 S \* 3/2001 Katoh et al. .... D15/23

D501,487 S \* 2/2005 Katoh et al. .... D15/23

D526,335 S \* 8/2006 Kuwae et al. .... D15/23

D537,454 S \* 2/2007 Higashikawa et al. .... D15/23

D553,159 S \* 10/2007 Higashikawa et al. .... D15/23

D558,797 S \* 1/2008 Yamamoto et al. .... D15/26

\* cited by examiner

*Primary Examiner*—Stella M Reid

*Assistant Examiner*—Mark A Goodwin

(74) *Attorney, Agent, or Firm*—The Webb Law Firm

(57) **CLAIM**

The ornamental design for a tractor, as shown and described.

**DESCRIPTION**

FIG. 1 is a left side view of a tractor showing our new design;

FIG. 2 is a right side view thereof;

FIG. 3 is a rear side view thereof;

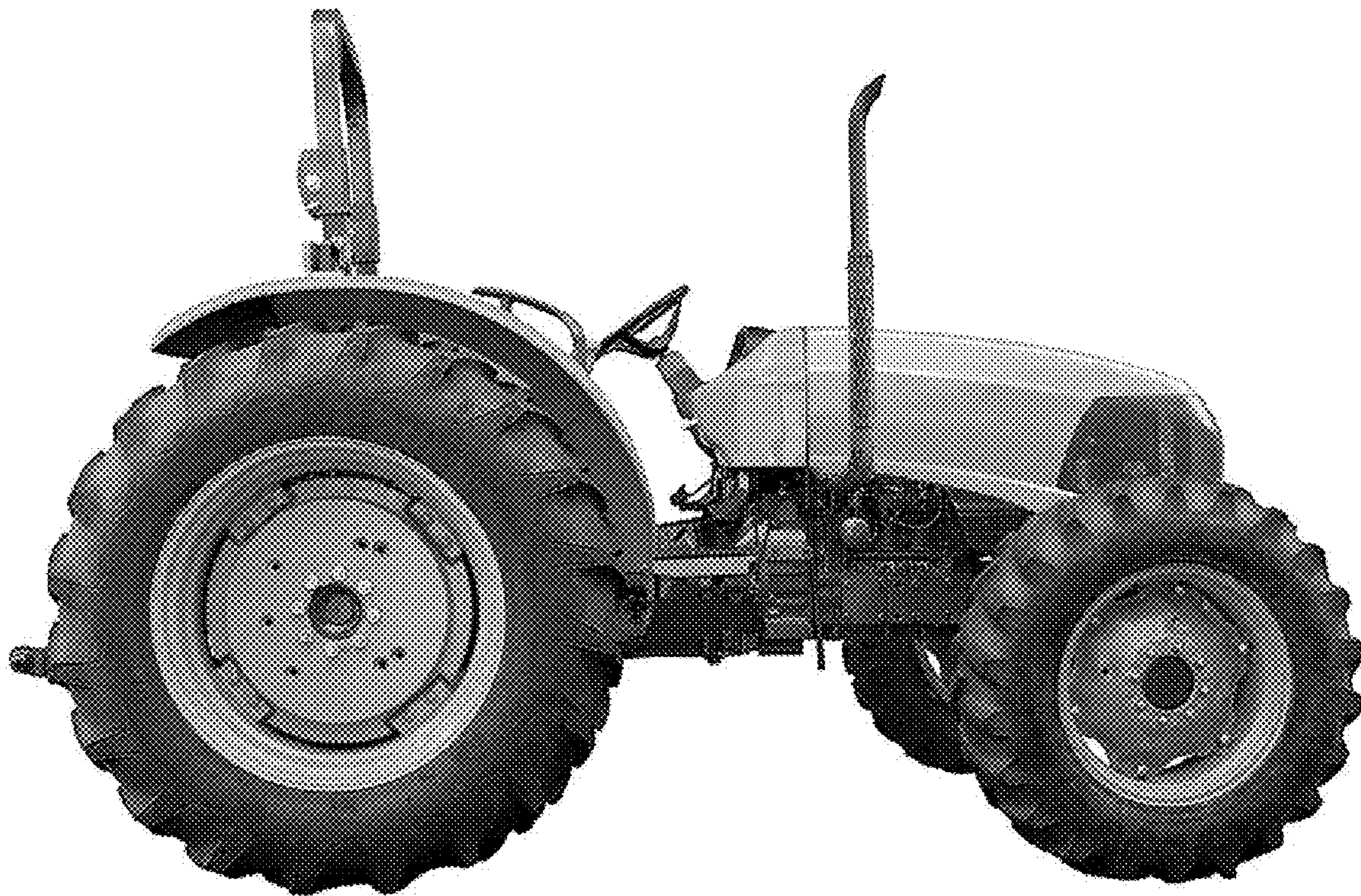
FIG. 4 is a front side view thereof;

FIG. 5 is a top plan view thereof;

FIG. 6 is a right front perspective view thereof; and,

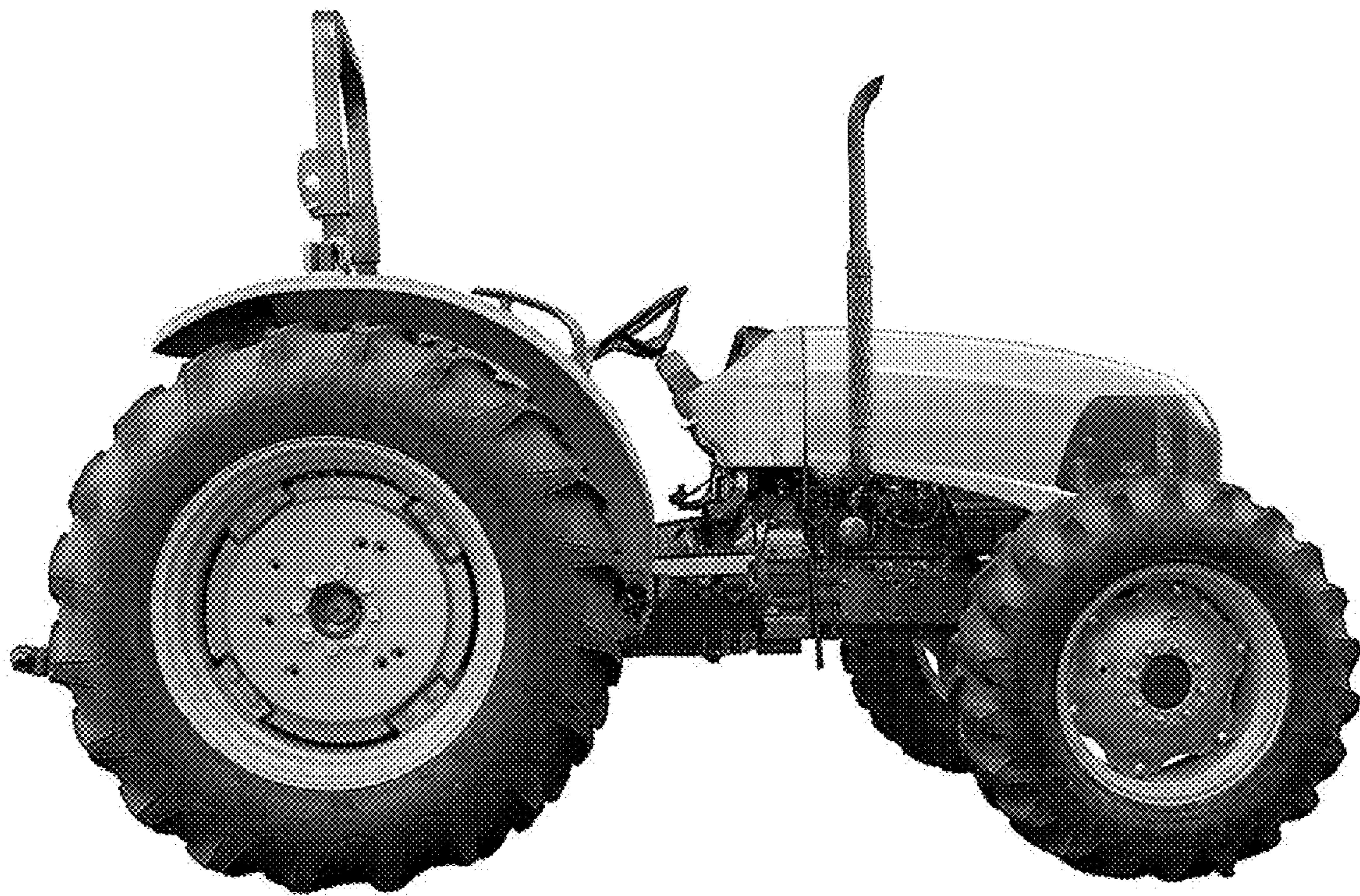
FIG. 7 is a left rear perspective view thereof.

**1 Claim, 7 Drawing Sheets**



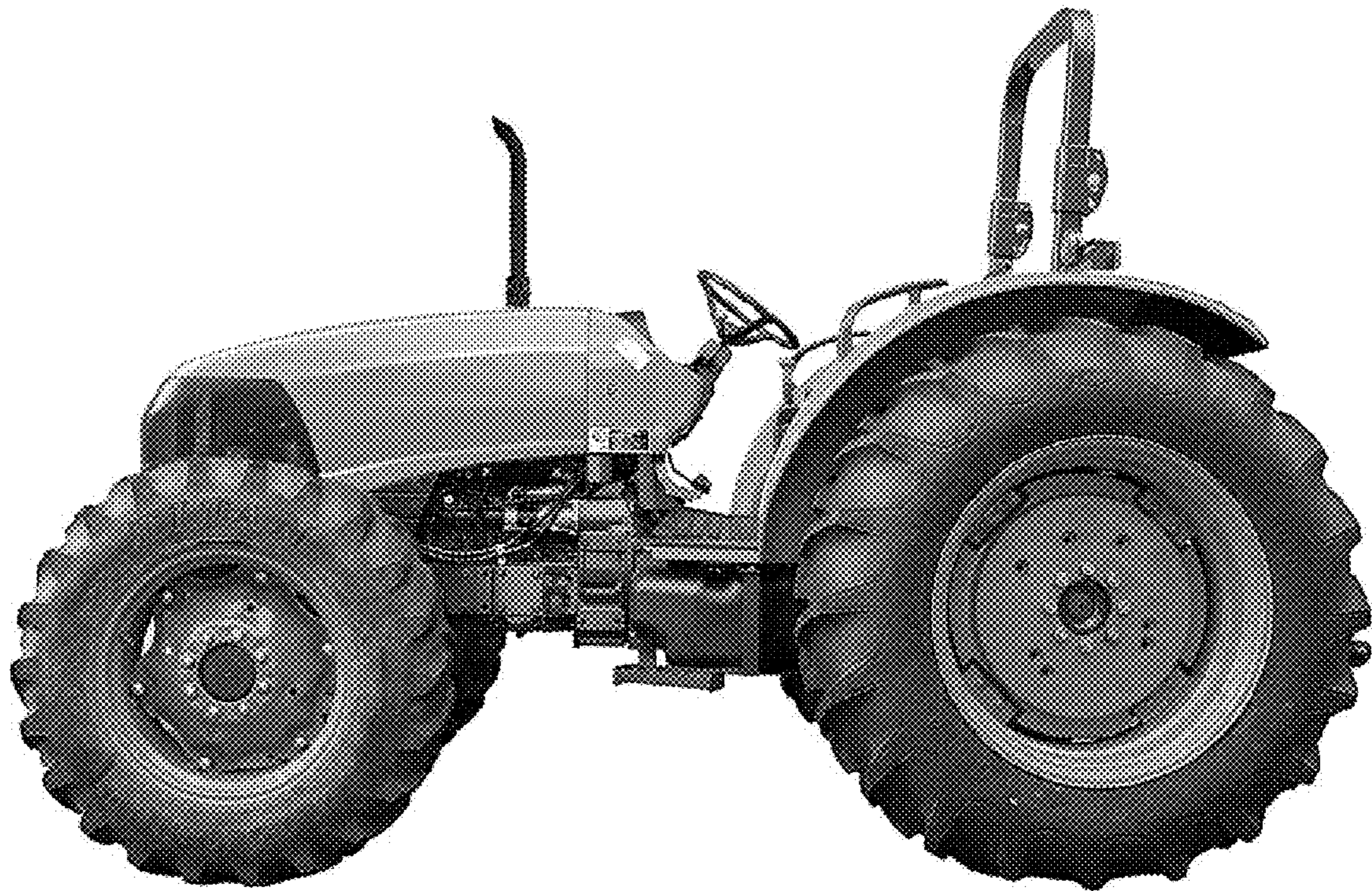


F i g . 1



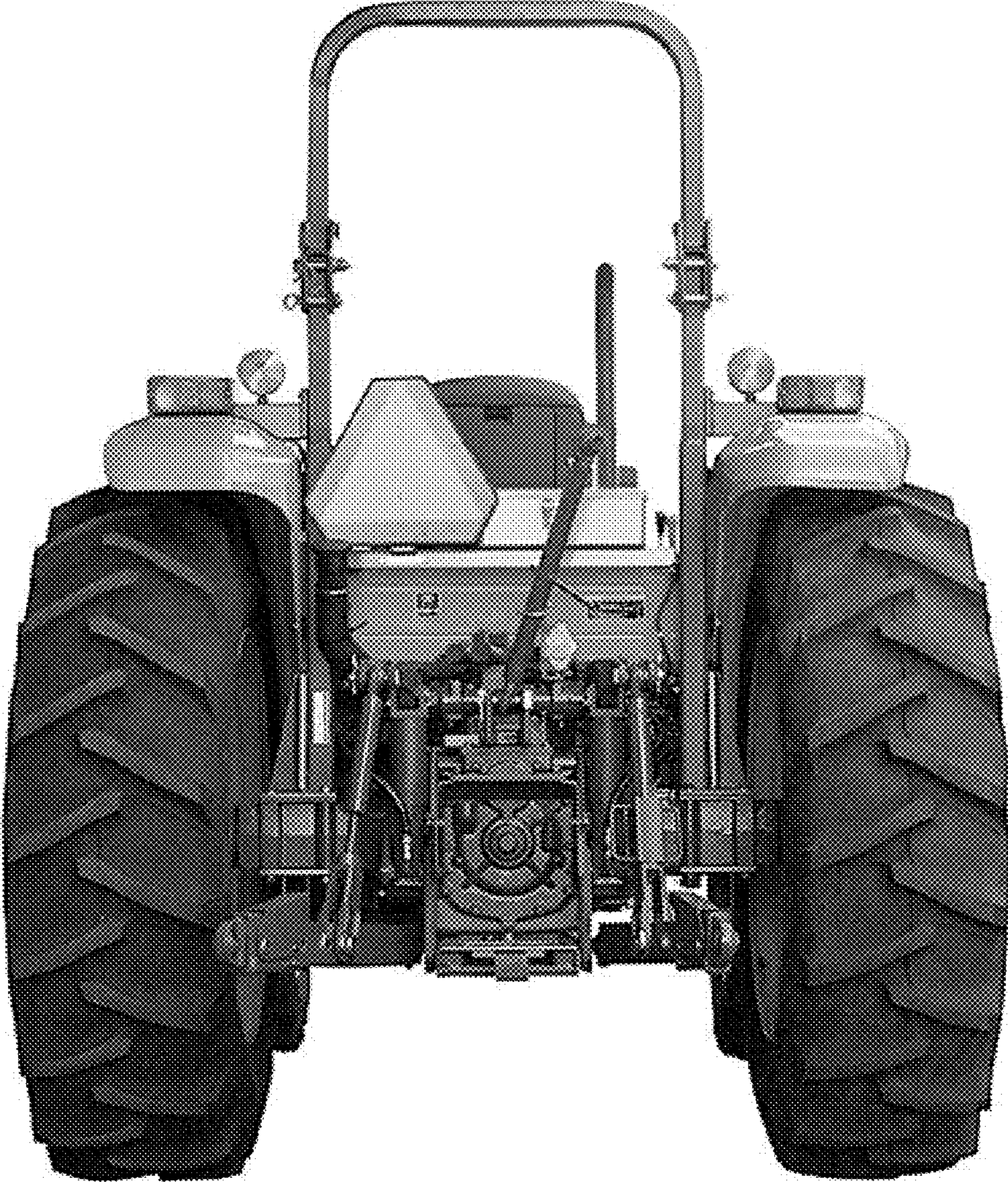


F i g . 2





F i g . 3



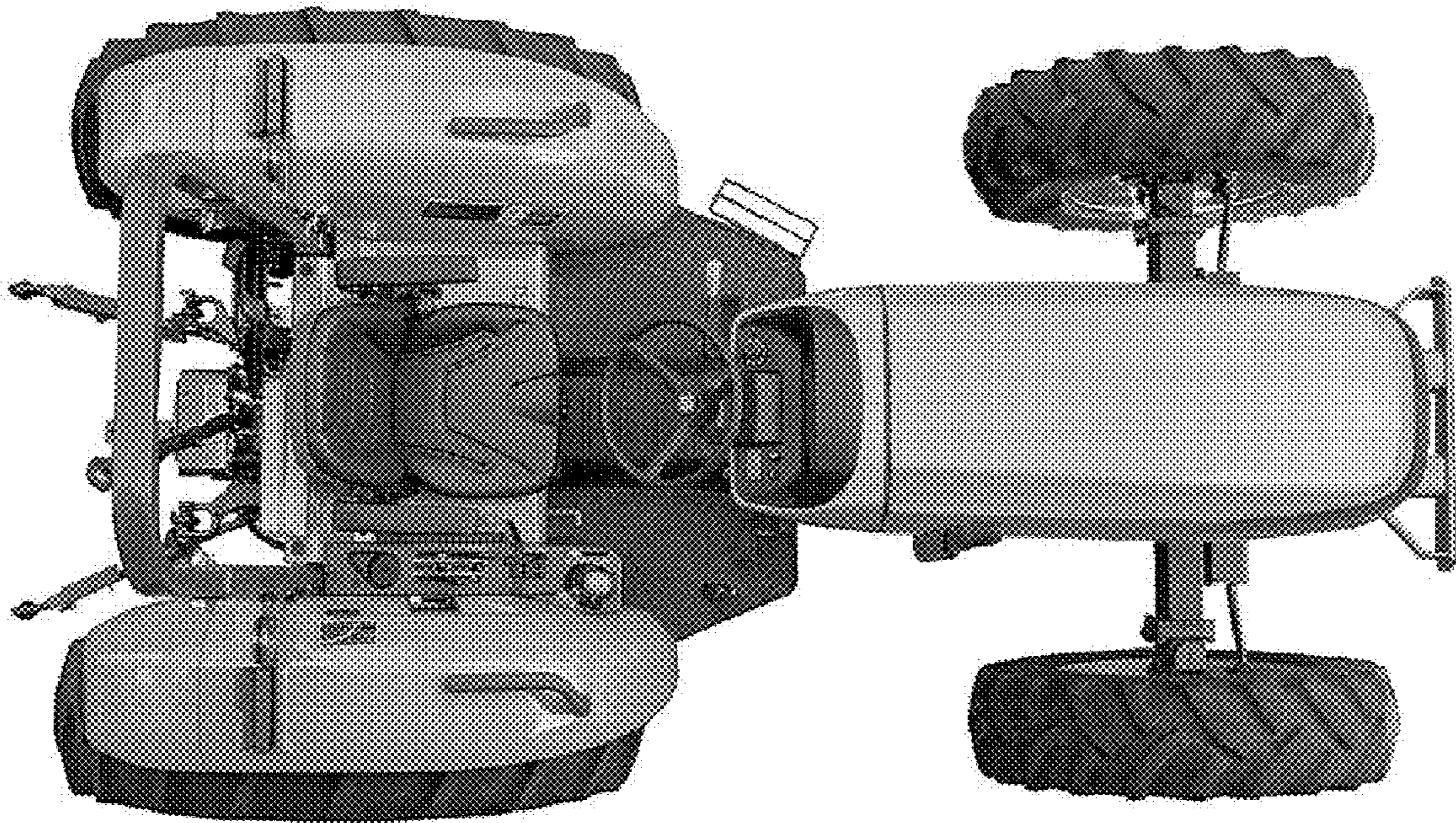


F i g . 4





F i g . 5





F i g . 6





F i g . 7

