



US00D600254S

(12) **United States Design Patent**
Lindars et al.

(10) **Patent No.:** **US D600,254 S**
(45) **Date of Patent:** **** Sep. 15, 2009**

(54) **LAWN MOWER**

(75) Inventors: **James Lindars**, Burlington, VT (US);
Miya Teraki, Burlington, VT (US);
James Peterson, Vergennes, VT (US)

(73) Assignee: **Neuton, Inc.**, Vergennes, VT (US)

(**) Term: **14 Years**

(21) Appl. No.: **29/325,273**

(22) Filed: **Sep. 29, 2008**

(51) **LOC (9) Cl.** **15-03**

(52) **U.S. Cl.** **D15/14**

(58) **Field of Classification Search** D15/10,
D15/14-16; 56/11.9, 16.7, 17.1, 17.4, 17.5,
56/202, 254, 255, 320.1, 320.2, 294, 295,
56/12.8, 13.4, 11.4

See application file for complete search history.

(56) **References Cited**

U.S. PATENT DOCUMENTS

| | | | | | | |
|-----------|---|---|---------|----------------|-------|----------|
| D330,210 | S | * | 10/1992 | Sirois et al. | | D15/14 |
| D333,309 | S | * | 2/1993 | Hess et al. | | D15/14 |
| 5,251,711 | A | * | 10/1993 | Meyer et al. | | 180/19.1 |
| D347,640 | S | * | 6/1994 | Chunn et al. | | D15/14 |
| D356,581 | S | * | 3/1995 | Chunn et al. | | D15/14 |
| D359,291 | S | * | 6/1995 | Tihonovich | | D15/14 |
| D361,771 | S | * | 8/1995 | Ledingham | | D15/14 |
| D374,017 | S | * | 9/1996 | Chunn et al. | | D15/14 |
| D376,371 | S | * | 12/1996 | Swinney, II | | D15/14 |
| D381,665 | S | * | 7/1997 | Hinklin et al. | | D15/14 |
| D390,576 | S | * | 2/1998 | Shimamura | | D15/14 |
| 5,910,091 | A | * | 6/1999 | Iida et al. | | 56/16.7 |
| D419,163 | S | * | 1/2000 | Sirois et al. | | D15/14 |
| D421,265 | S | * | 2/2000 | Ohsumi et al. | | D15/14 |

| | | | | | | |
|----------|---|---|---------|------------------|-------|--------|
| D424,070 | S | * | 5/2000 | Danthois | | D15/14 |
| D426,836 | S | * | 6/2000 | Sirois et al. | | D15/14 |
| D449,622 | S | * | 10/2001 | Csonka et al. | | D15/14 |
| D449,840 | S | * | 10/2001 | Concari et al. | | D15/14 |
| D450,064 | S | * | 11/2001 | Concari et al. | | D15/14 |
| D457,897 | S | * | 5/2002 | Jong | | D15/14 |
| D461,830 | S | * | 8/2002 | Stratford et al. | | D15/14 |
| D469,785 | S | * | 2/2003 | Kim et al. | | D15/14 |
| D489,734 | S | * | 5/2004 | Lin | | D15/14 |
| D497,918 | S | * | 11/2004 | Osborne et al. | | D15/14 |
| D508,923 | S | * | 8/2005 | Henssler et al. | | D15/14 |
| D508,924 | S | * | 8/2005 | Henssler et al. | | D15/14 |
| RE39,338 | E | * | 10/2006 | Stratford | | D15/14 |
| D544,501 | S | * | 6/2007 | Chung Lee | | D15/14 |
| D581,951 | S | * | 12/2008 | Bochmann et al. | | D15/14 |

* cited by examiner

Primary Examiner—Stella M Reid

Assistant Examiner—Mark A Goodwin

(74) *Attorney, Agent, or Firm*—Mattingly & Malur, P.C.

(57) **CLAIM**

The ornamental design for a lawn mower, as shown and described.

DESCRIPTION

FIG. 1 is a front, right side perspective view of a lawn mower showing our new design;

FIG. 2 is a front elevational view thereof;

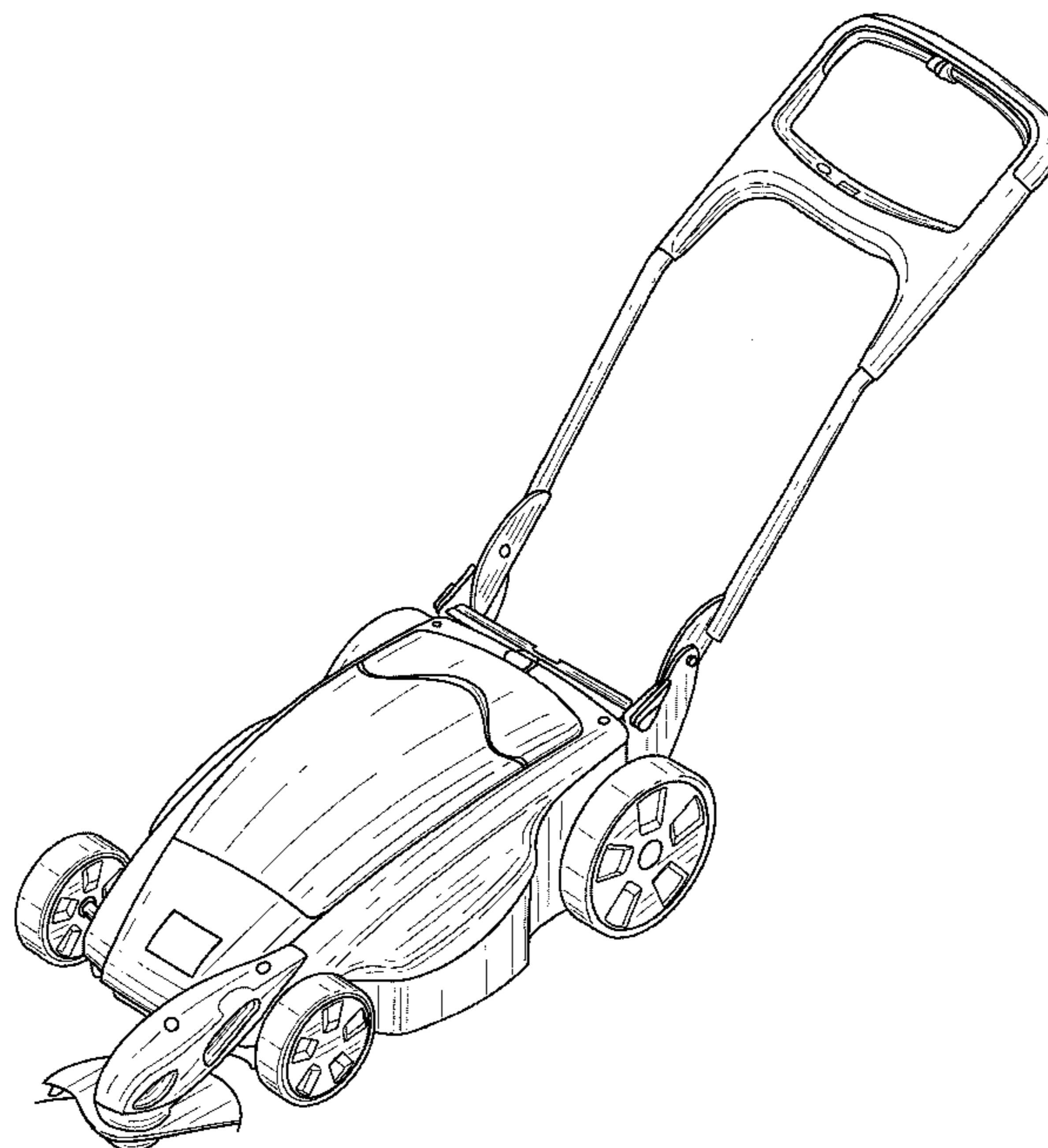
FIG. 3 is a rear elevational view thereof;

FIG. 4 is a left side elevational view thereof;

FIG. 5 is a right side elevational view thereof; and,

FIG. 6 is a top plan view thereof.

1 Claim, 5 Drawing Sheets



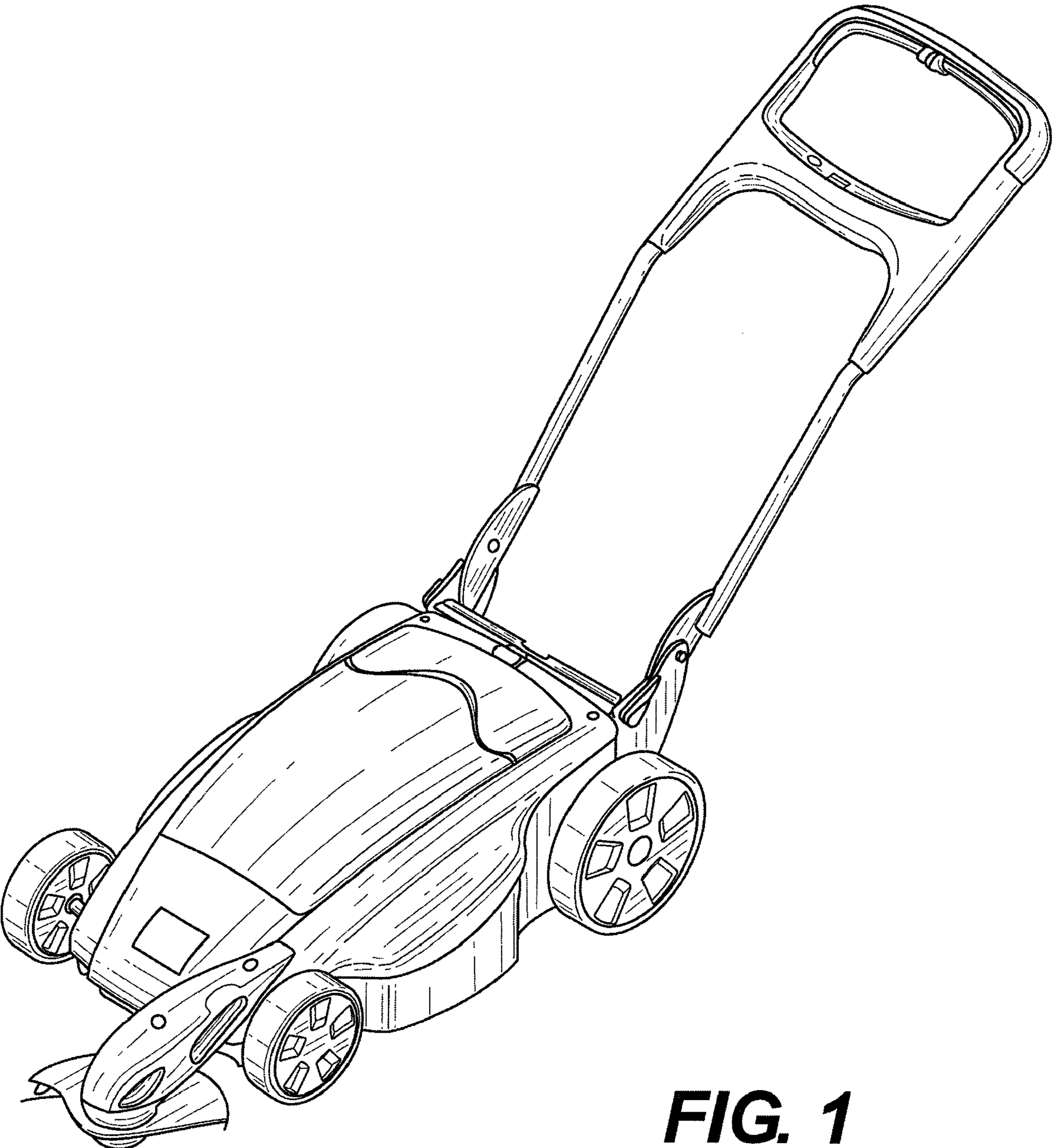


FIG. 1

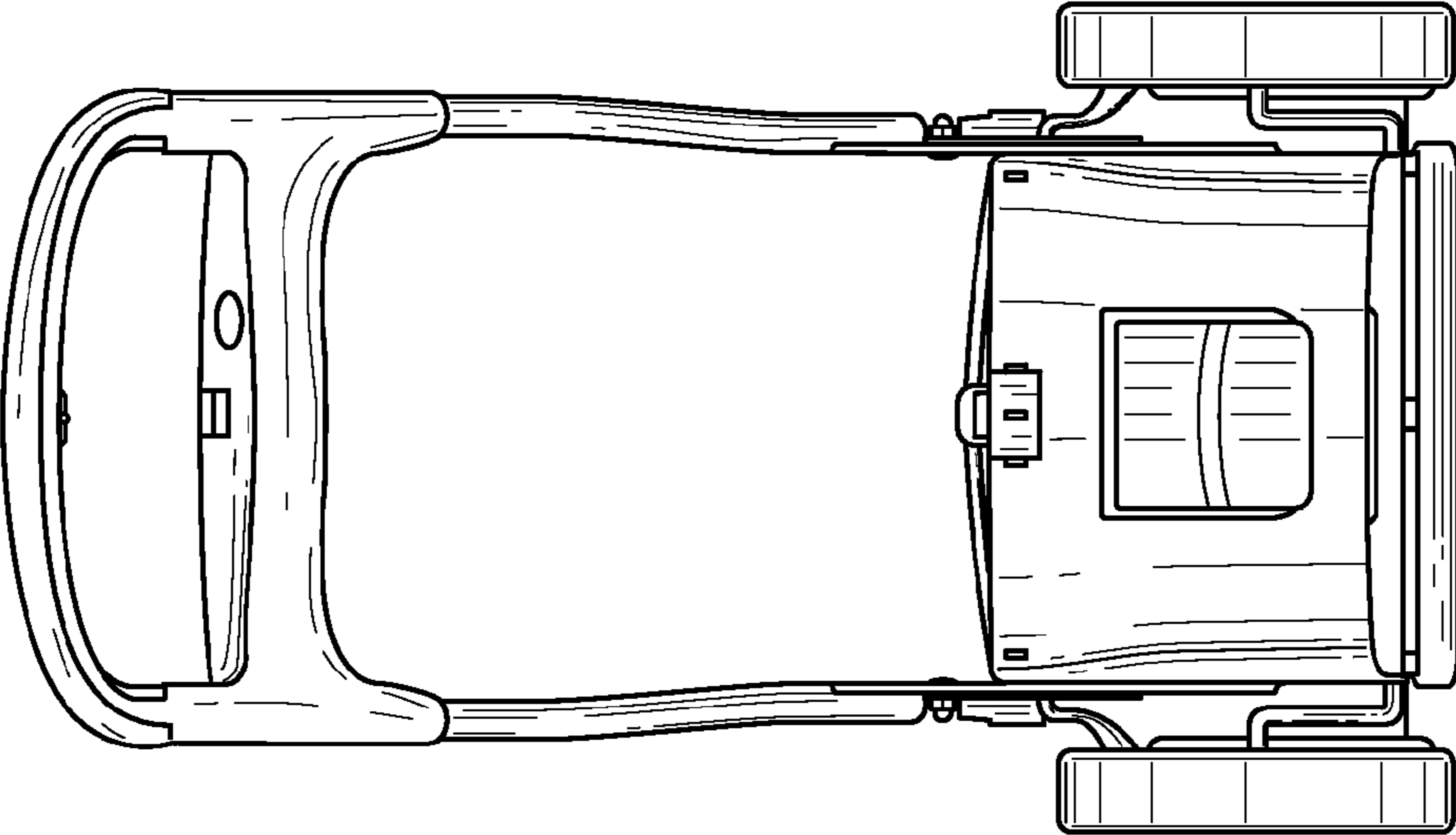


FIG. 3

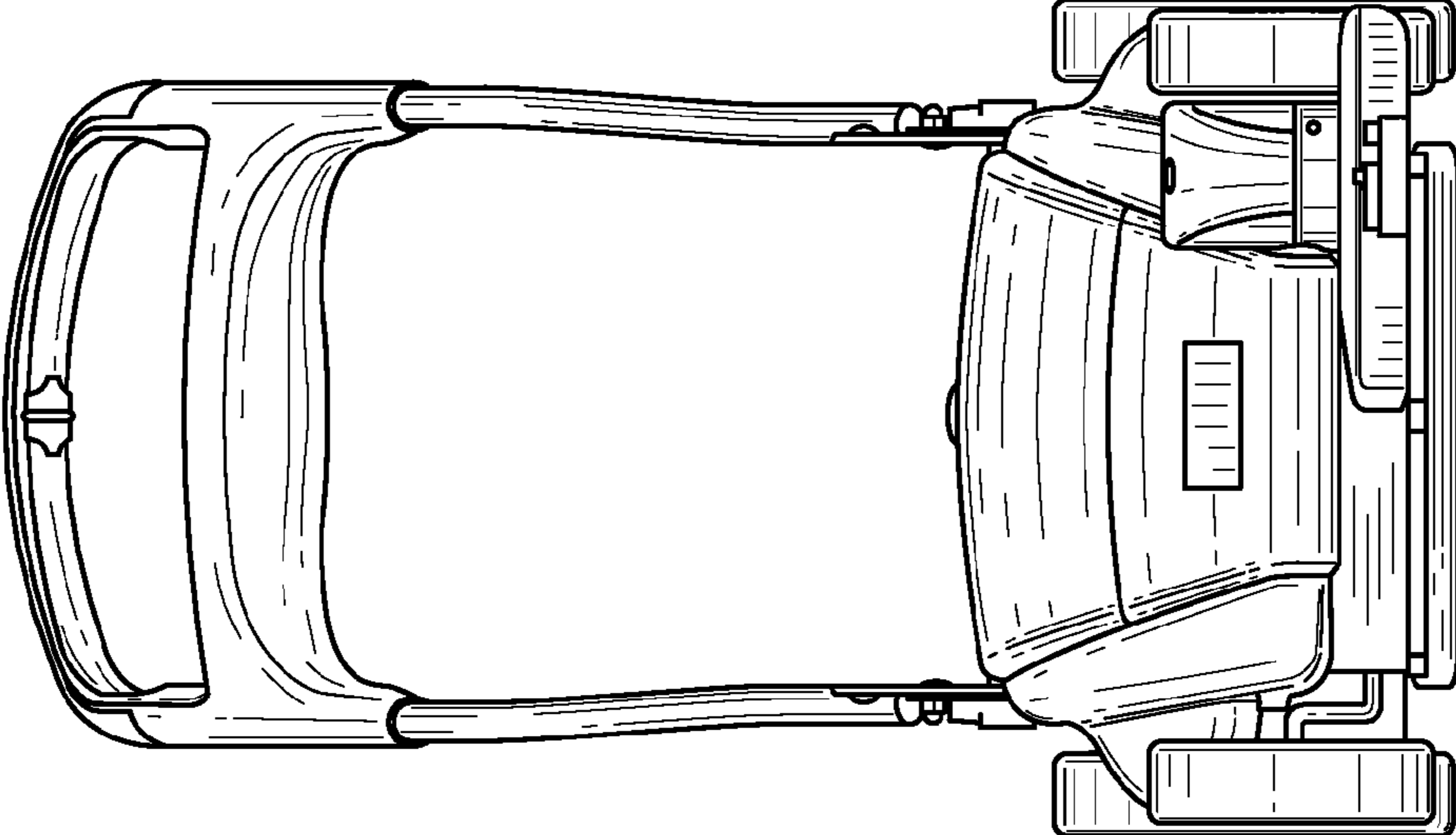


FIG. 2

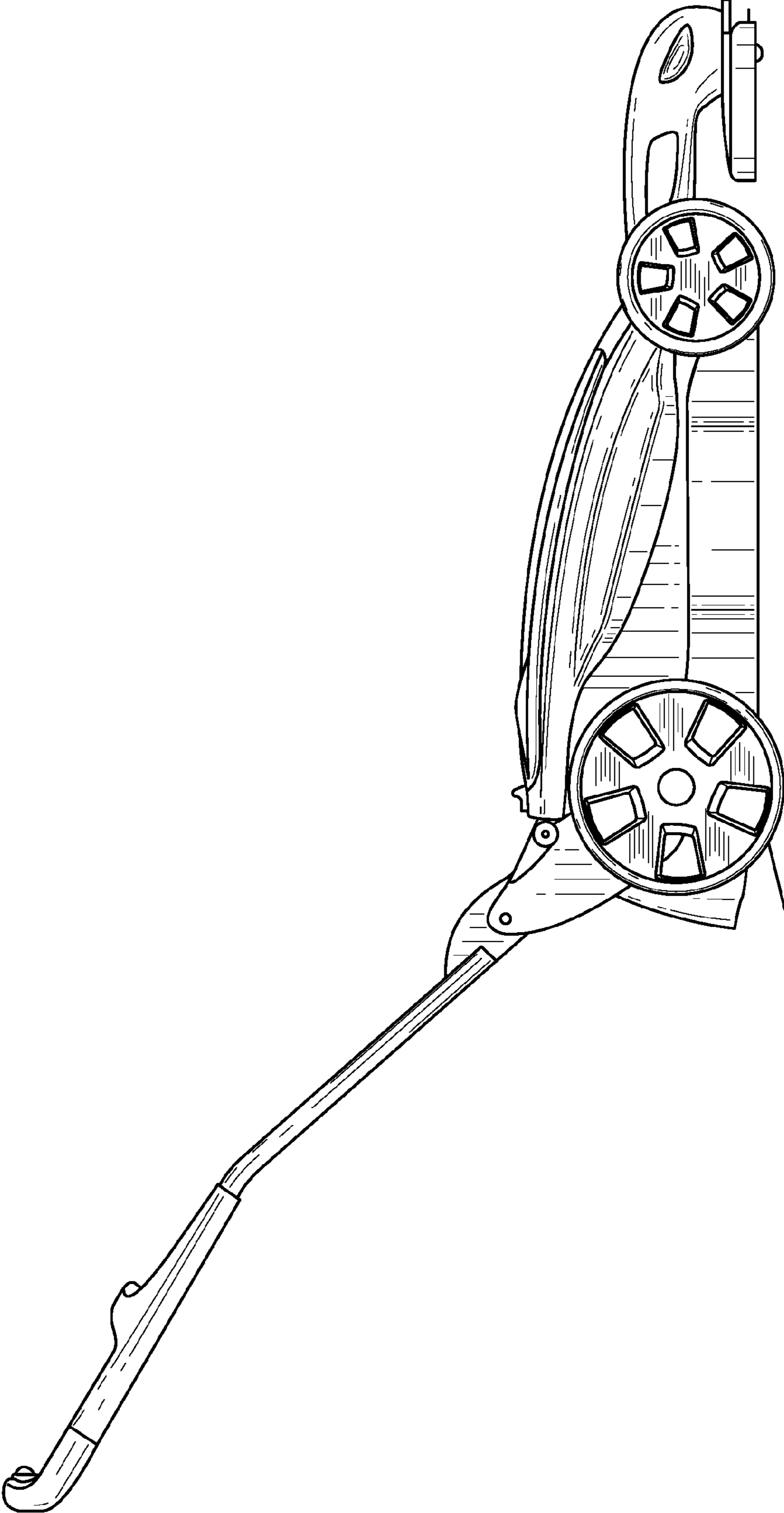


FIG. 4

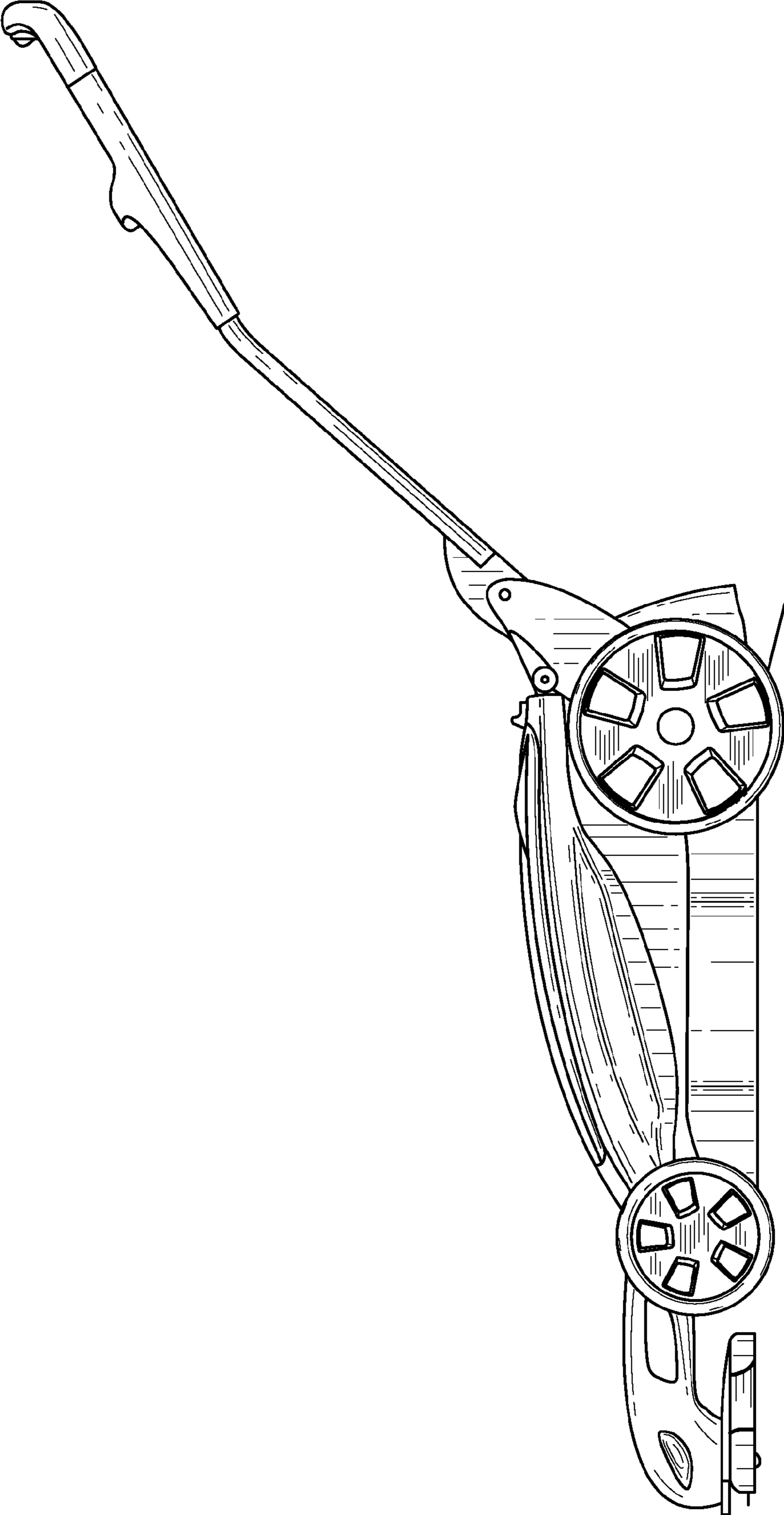


FIG. 5

FIG. 6

