



US00D600253S

(12) **United States Design Patent**
Jacobs

(10) **Patent No.:** **US D600,253 S**

(45) **Date of Patent:** **** Sep. 15, 2009**

(54) **SMALL SQUARE BALER**

(75) Inventor: **Stephen W Jacobs**, Lititz, PA (US)

(73) Assignee: **CNH America LLC**, New Holland, PA (US)

(**) Term: **14 Years**

(21) Appl. No.: **29/327,043**

(22) Filed: **Oct. 29, 2008**

(51) **LOC (9) Cl.** **15-03**

(52) **U.S. Cl.** **D15/10; D15/27**

(58) **Field of Classification Search** D15/10,
D15/17, 27, 28; 414/24.5; 100/4, 5, 8, 88,
100/100; 56/341-343, 432, 202
See application file for complete search history.

(56) **References Cited**

U.S. PATENT DOCUMENTS

D174,898 S	6/1955	Eby et al.	
D182,287 S	3/1958	Kermes et al.	
D184,568 S	3/1959	Kermes	
D188,800 S	9/1960	Kermes et al.	
D196,851 S	11/1963	Kermes	
D198,042 S	4/1964	McGirk et al.	
D199,798 S	12/1964	Bywater	
D200,423 S	2/1965	Kermes	
D207,855 S	6/1967	Kermes et al.	
3,913,473 A *	10/1975	Meiers	100/5
D238,501 S *	1/1976	Gaeddert	D15/27
D242,572 S *	11/1976	Grist et al.	D15/27

D268,678 S *	4/1983	Swenson et al.	D15/27
4,918,910 A *	4/1990	Sheehan et al.	56/341
D357,688 S *	4/1995	Sprague	D15/10
D373,591 S *	9/1996	Von Allworden et al.	D15/26
D388,440 S *	12/1997	Bentley	D15/13
D412,507 S *	8/1999	Underhill et al.	D15/27
D450,062 S *	11/2001	Spiers	D15/10
2003/0159421 A1 *	8/2003	Trelstad et al.	56/341

* cited by examiner

Primary Examiner—Stella M Reid

Assistant Examiner—Mark A Goodwin

(74) *Attorney, Agent, or Firm*—Patrick M. Sheldrake; John William Stader; Michael G. Harms

(57) **CLAIM**

The ornamental design for a small square baler, as shown and described.

DESCRIPTION

FIG. 1 is a top front left side perspective view of a small square baler showing my new design;

FIG. 2 is a front view thereof;

FIG. 3 is a rear view thereof;

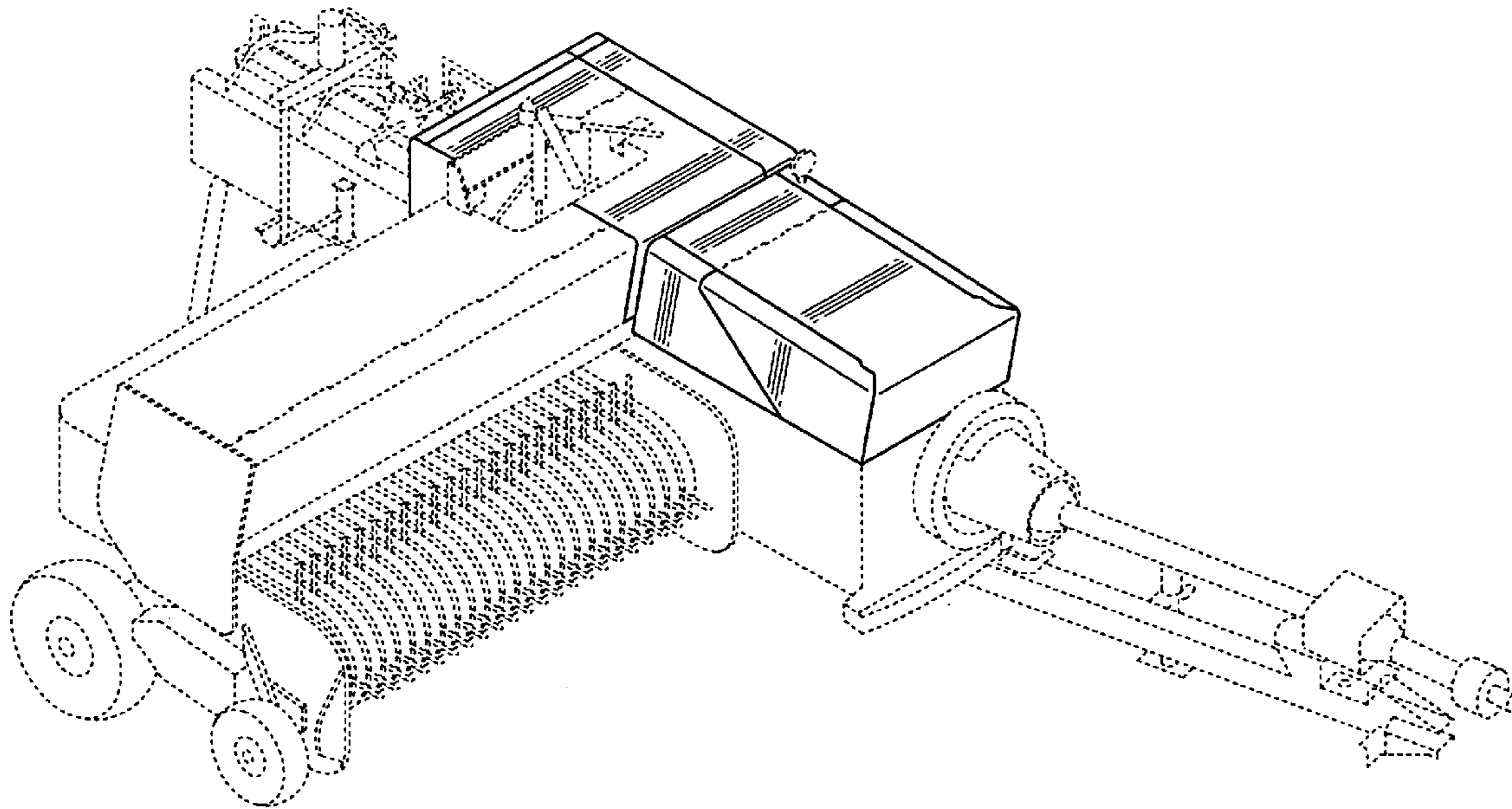
FIG. 4 is a left side view thereof;

FIG. 5 is a right side view thereof; and,

FIG. 6 is a top plan view thereof.

The broken lines are for illustrative purposes only and form no part of the claimed design.

1 Claim, 5 Drawing Sheets



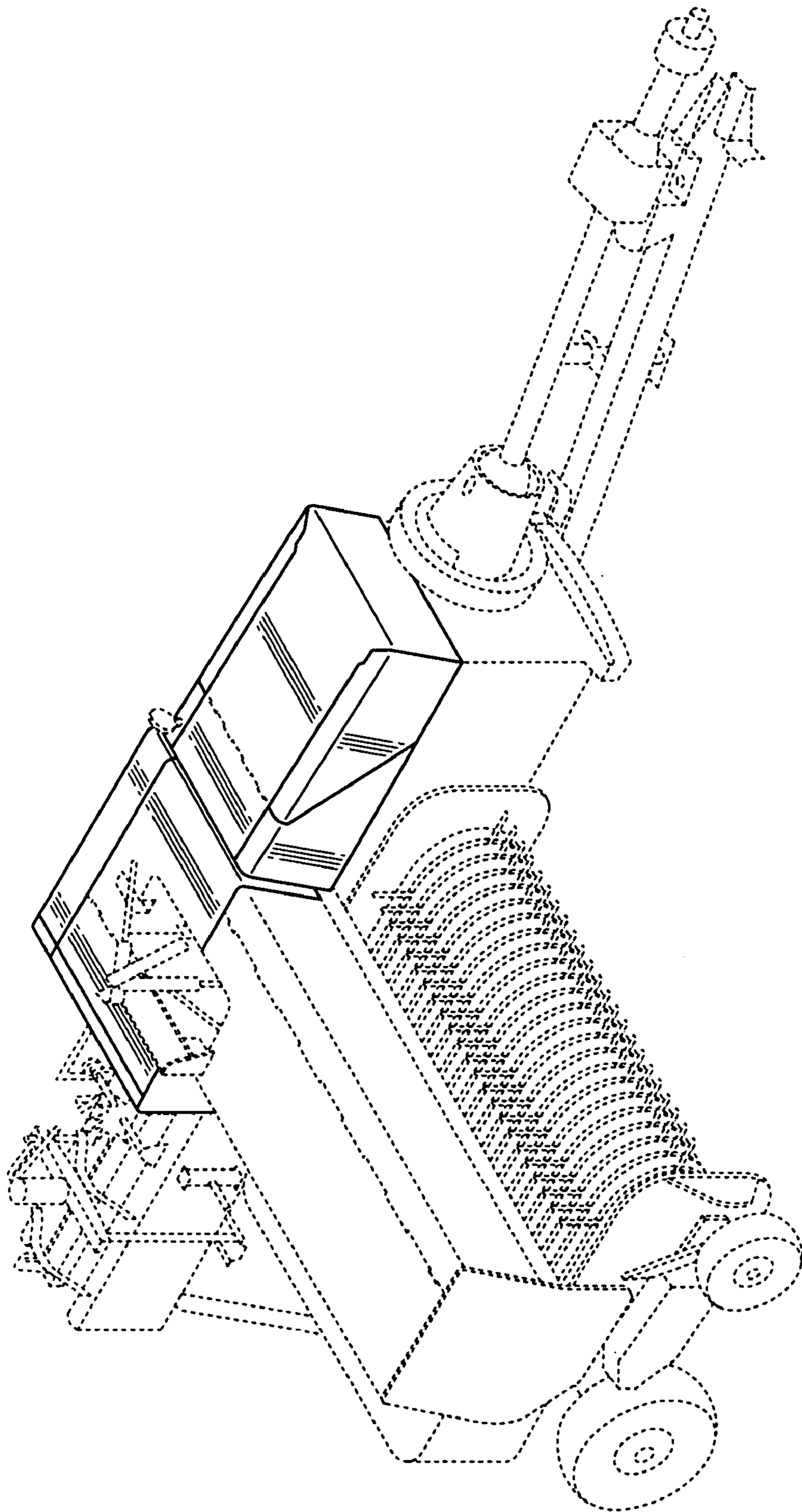


FIG. 1

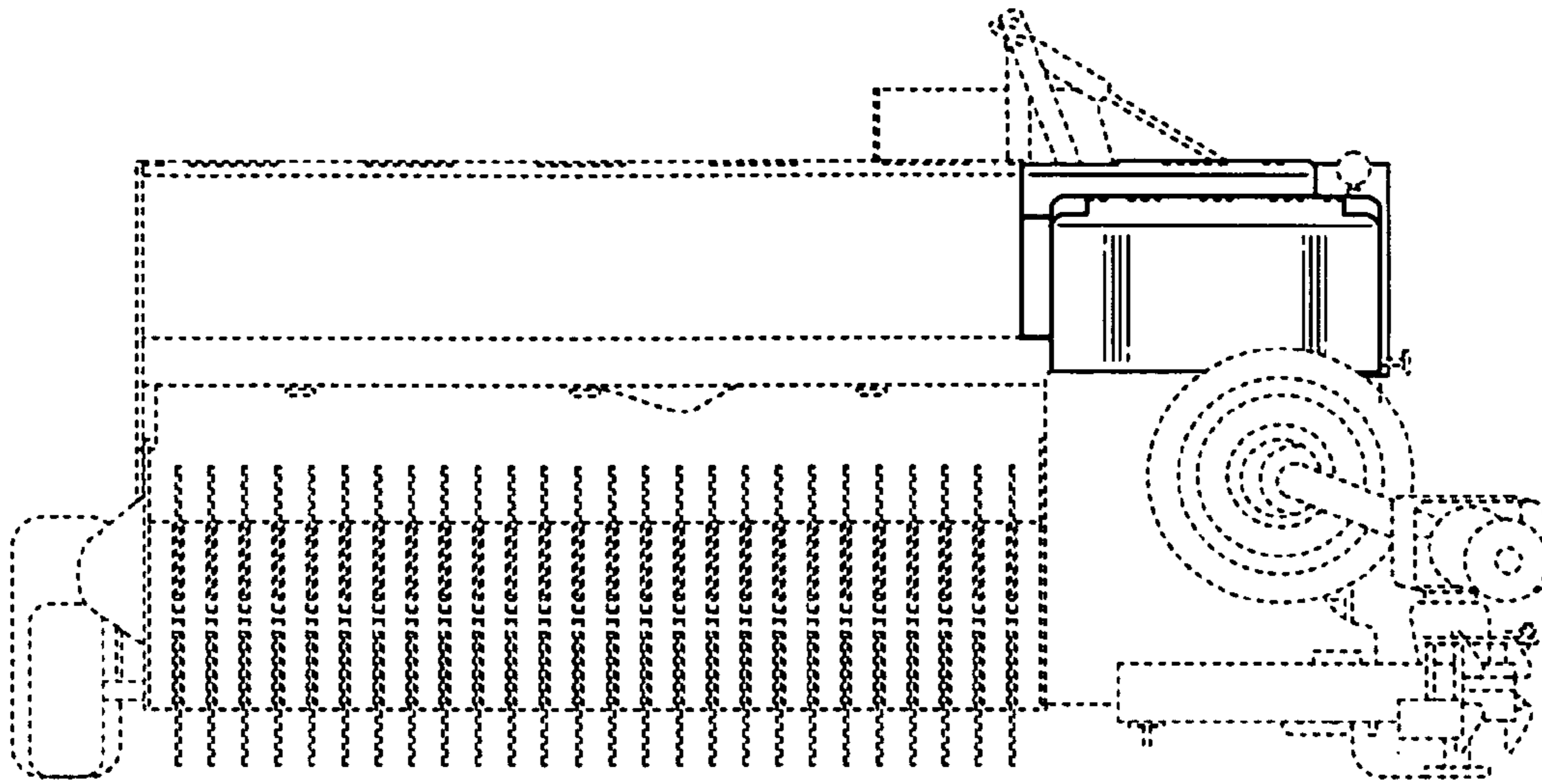


FIG. 2

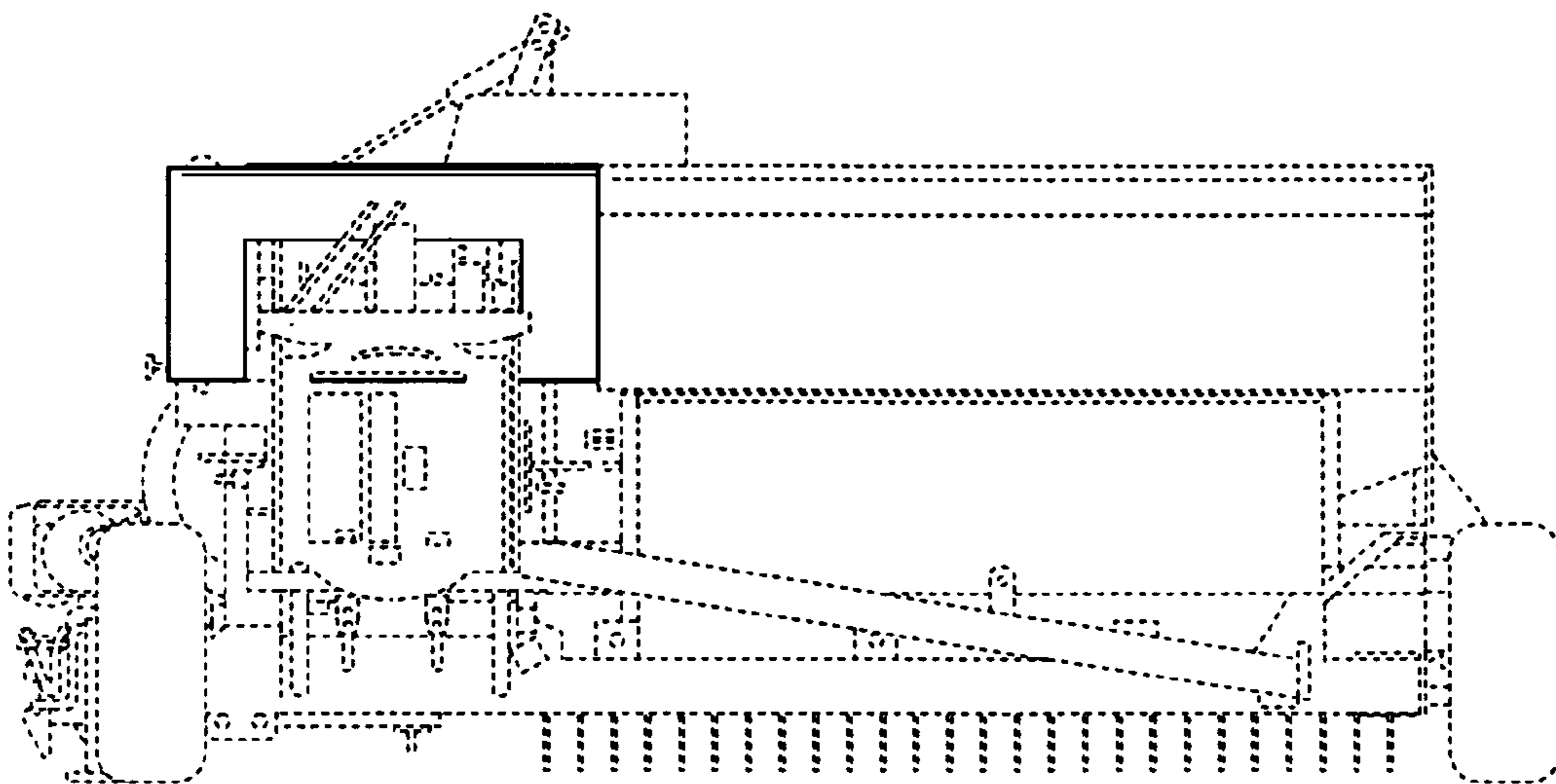


FIG. 3

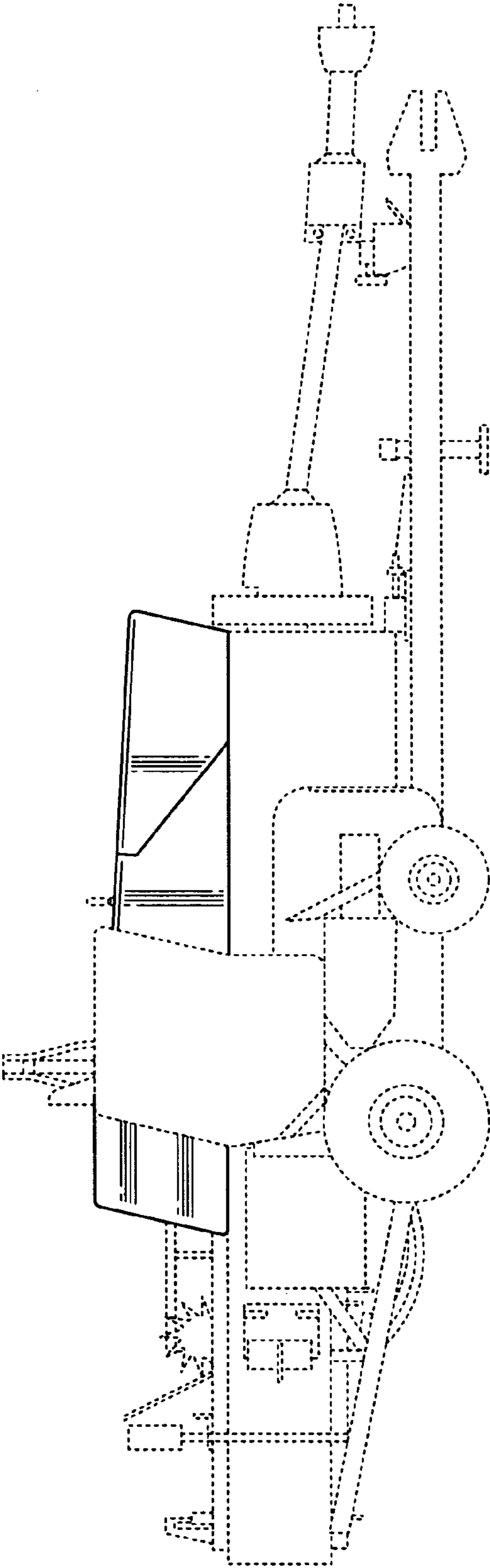


FIG. 4

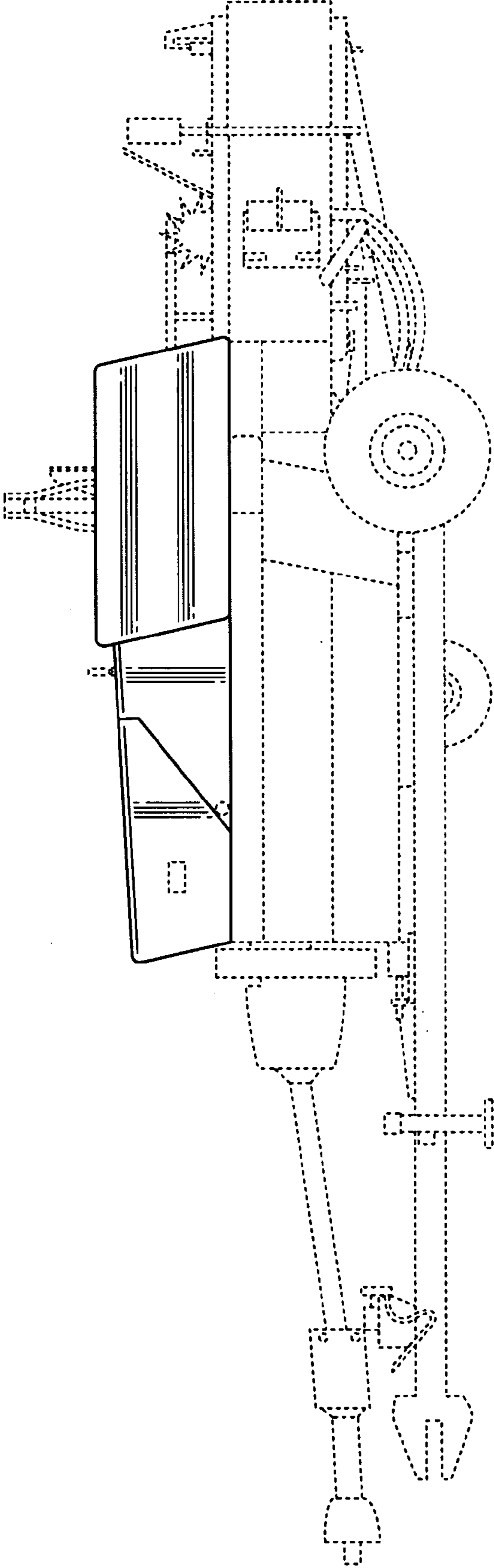


FIG. 5

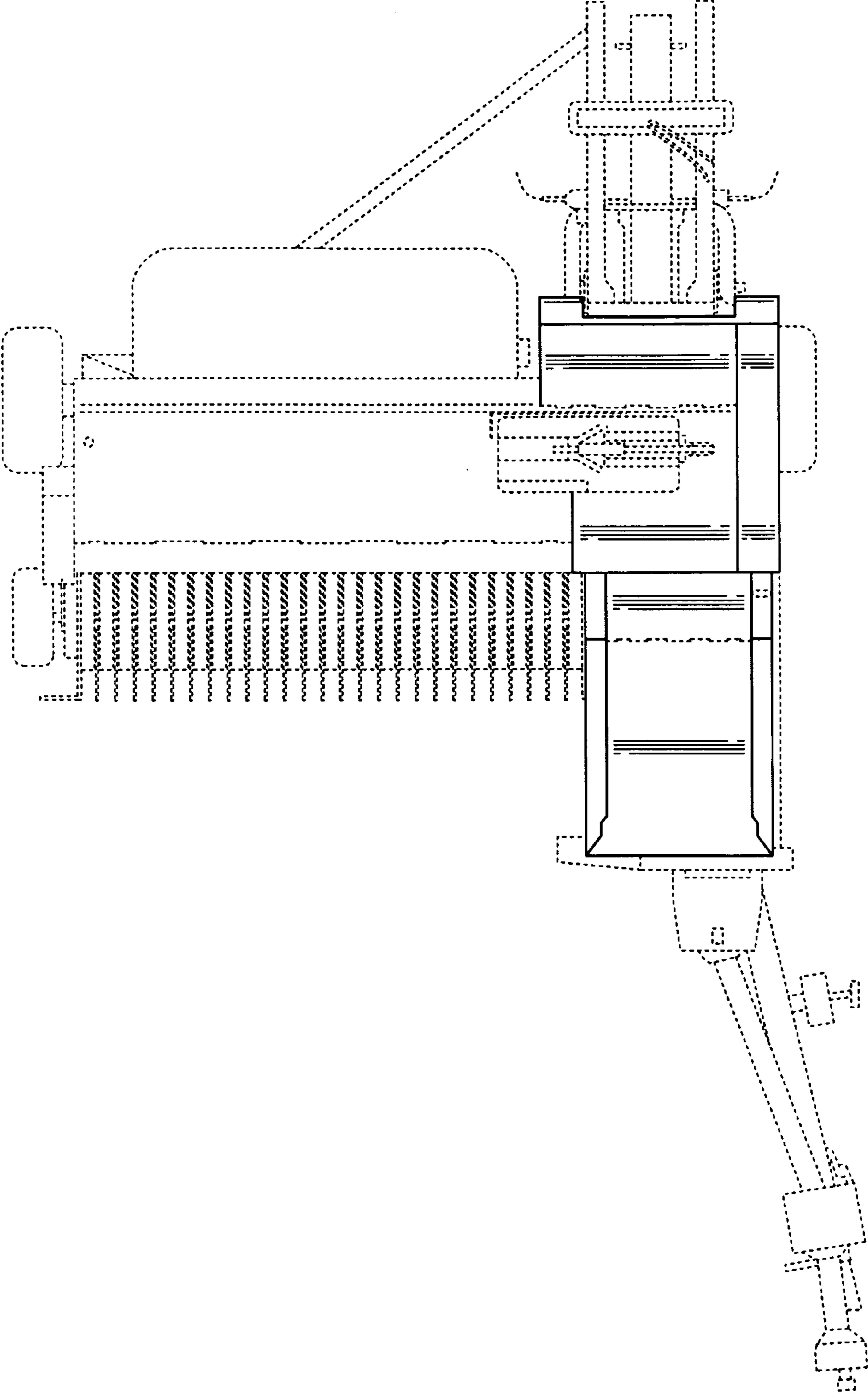


FIG. 6