



US00D600252S

(12) **United States Design Patent**  
**Yan et al.**

(10) **Patent No.:** **US D600,252 S**  
(45) **Date of Patent:** **\*\* Sep. 15, 2009**

(54) **ENGINE AIR CLEANER**

D540,819 S 4/2007 Schmitt et al.

(75) Inventors: **Miao Yan**, Jiangsu (CN); **Bian Ming**,  
Jiangsu (CN); **Hu Jianguo**, Jiangsu  
(CN); **Cheng Lei**, Jiangsu (CN)

\* cited by examiner

*Primary Examiner*—Lisa P Lichtenstein  
(74) *Attorney, Agent, or Firm*—J. Bennett Mullinax, LLC

(73) Assignee: **Jiangsu Lister Utility Engine  
Manufacturing Company Ltd.**,  
Travelers Rest, SC (US)

(57) **CLAIM**

The ornamental design for an engine air cleaner, as shown.

(\*\*) Term: **14 Years**

**DESCRIPTION**

(21) Appl. No.: **29/294,358**

FIG. 1 is a top plan view for an engine air cleaner according to a first embodiment of the present design;

(22) Filed: **Jan. 8, 2008**

FIG. 2 is a front elevation view for an engine air cleaner as shown in FIG. 1;

(51) **LOC (9) Cl.** ..... **15-01**

(52) **U.S. Cl.** ..... **D15/5**

FIG. 3 is a right side elevation view for an engine air cleaner as shown in FIG. 1;

(58) **Field of Classification Search** ..... D15/1,

D15/3, 5; 55/385.3; 123/198 E

See application file for complete search history.

FIG. 4 is a left side elevation view for an engine air cleaner as shown in FIG. 1;

(56) **References Cited**

FIG. 5 is a rear elevation of for an engine air cleaner as shown in FIG. 1;

**U.S. PATENT DOCUMENTS**

D208,818 S \* 10/1967 Hodgson ..... D15/5

4,233,043 A 11/1980 Catterson

D395,493 S 6/1998 Palladini

D492,759 S 7/2004 Yoshida

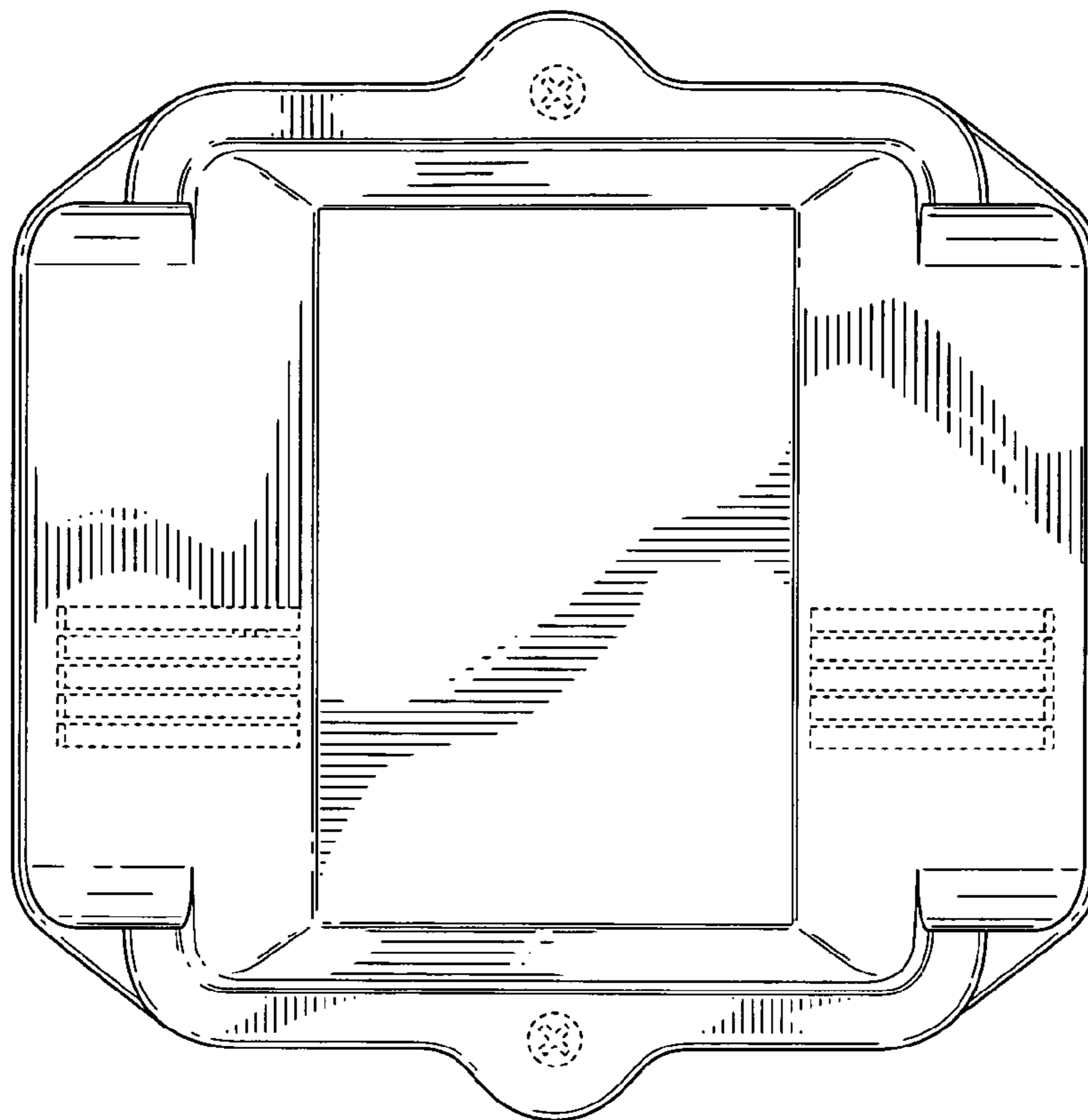
6,857,399 B2 \* 2/2005 Davis et al. .... 123/41.7

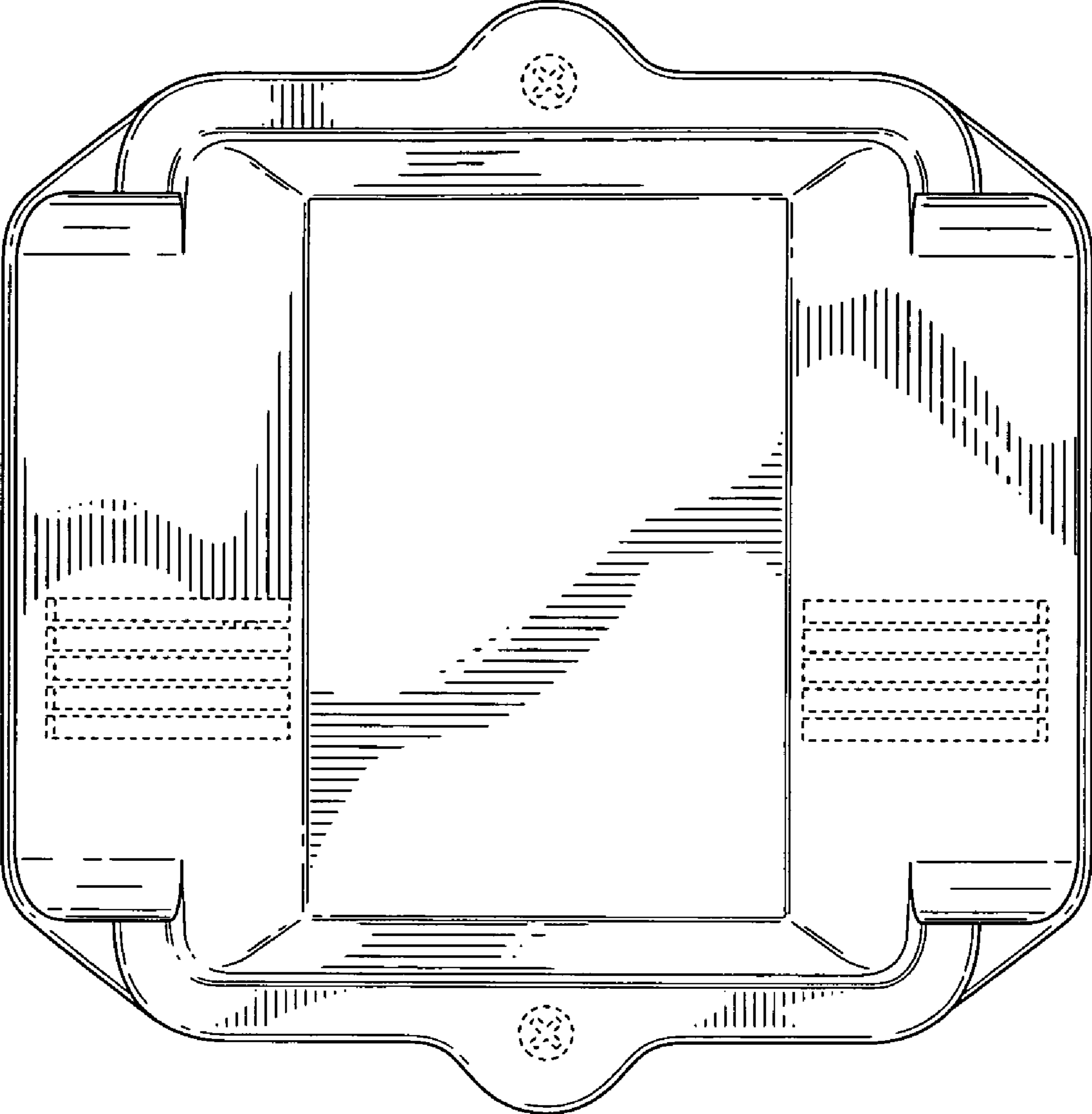
D529,514 S \* 10/2006 Maeda et al. .... D15/5

FIG. 6 is a bottom plan view for an engine air cleaner as shown in FIG. 1; and,

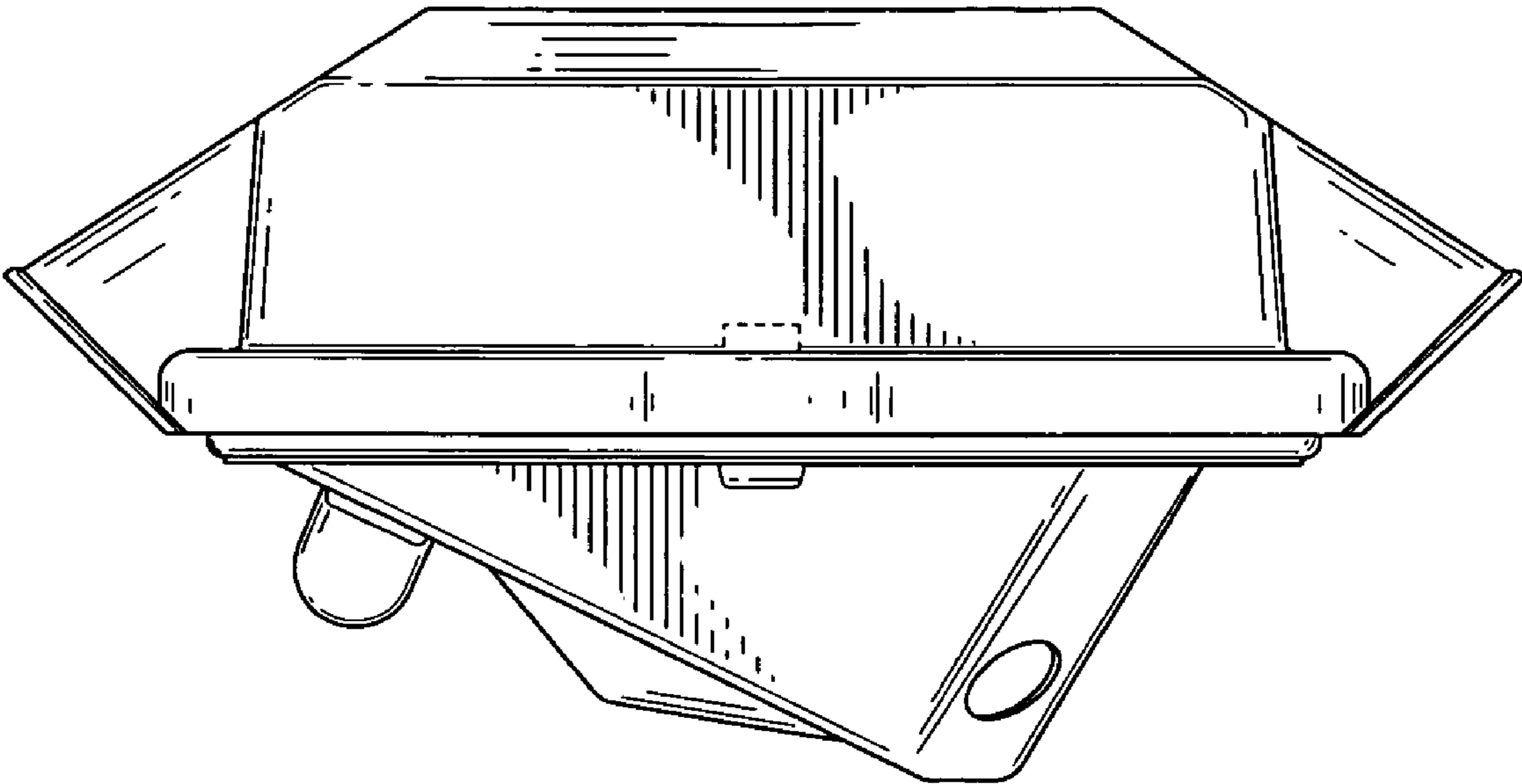
FIG. 7 is a perspective view for an engine air cleaner as shown in FIG. 1.

**1 Claim, 7 Drawing Sheets**

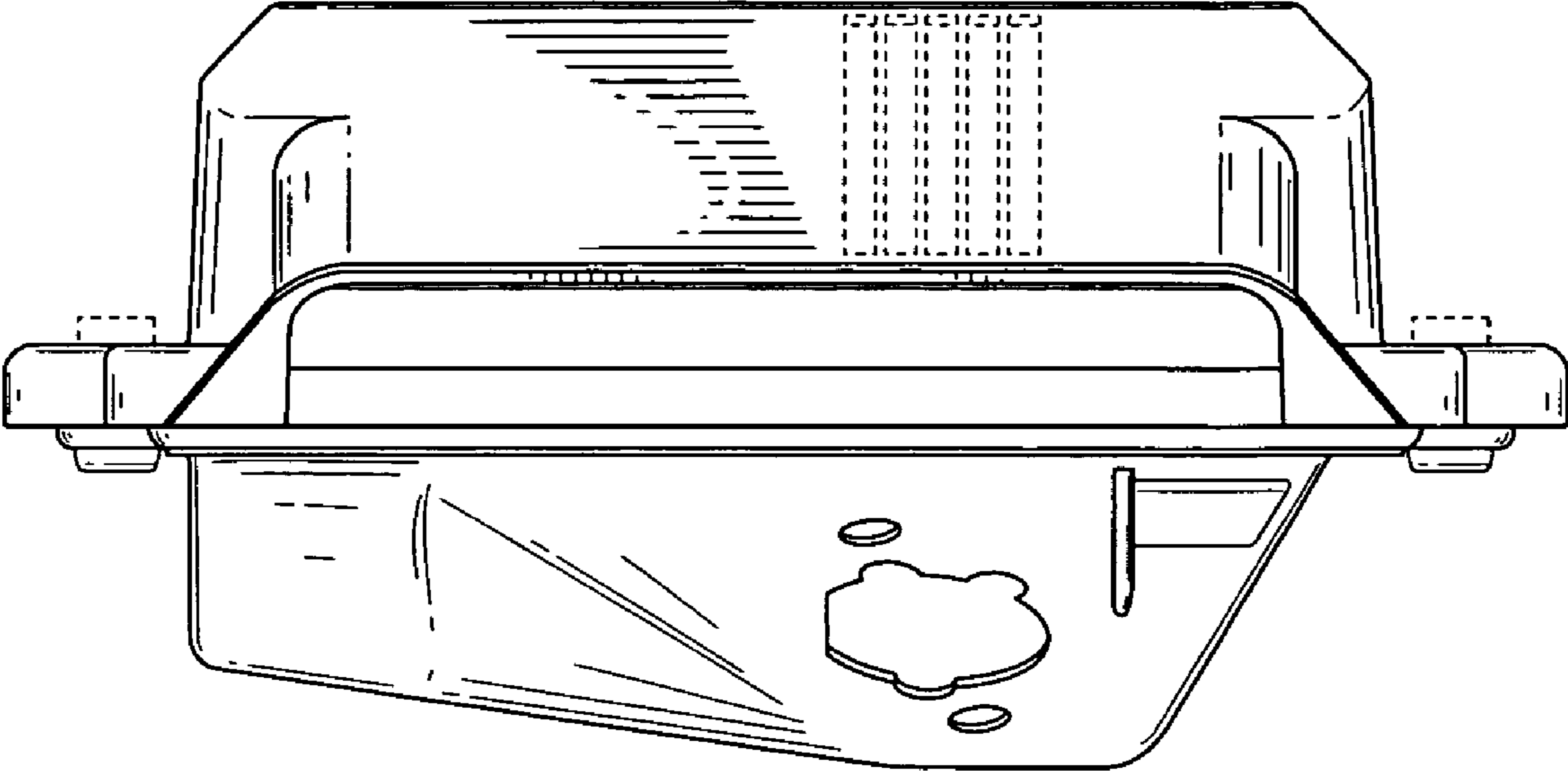




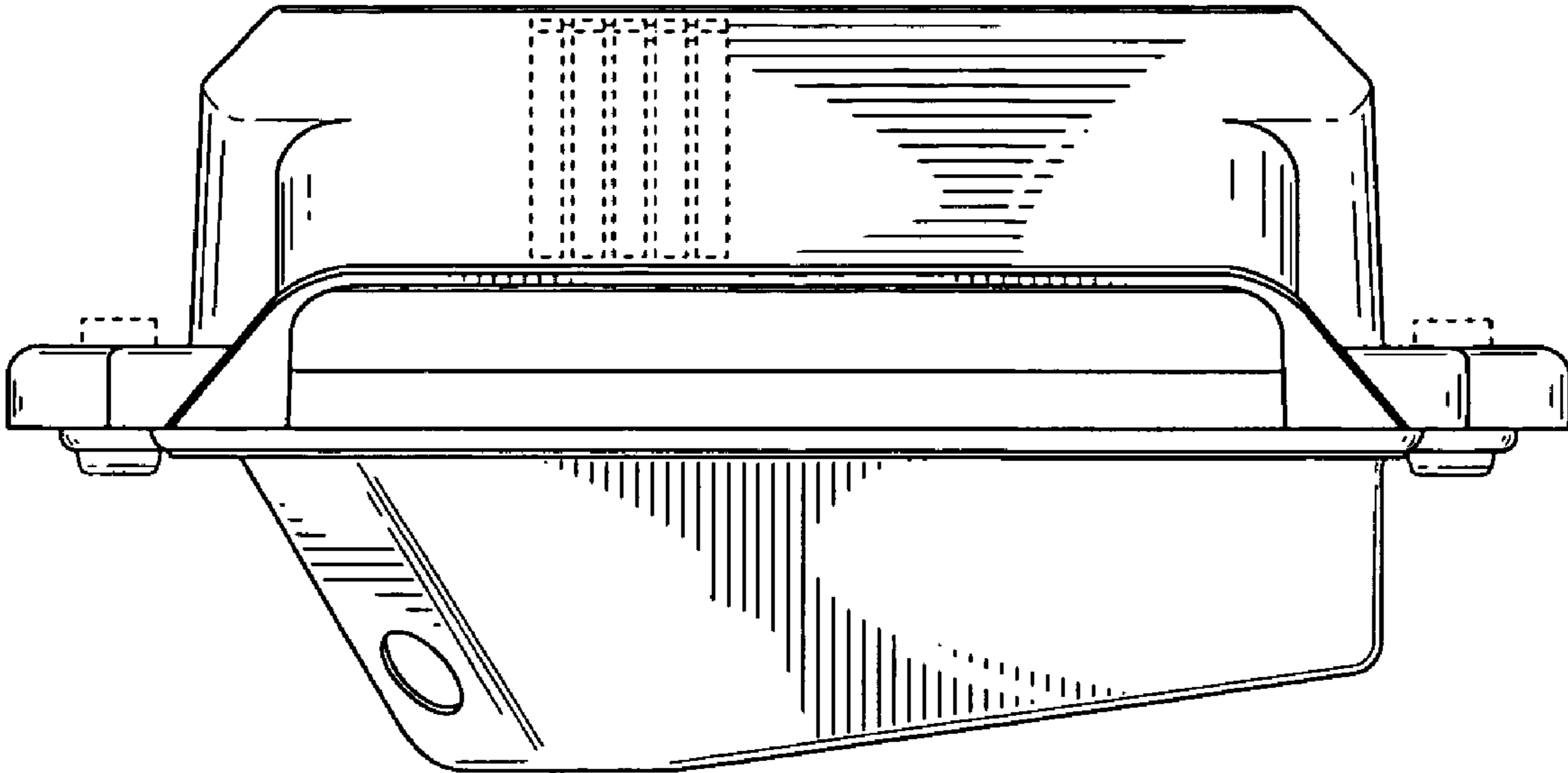
**FIG. 1**



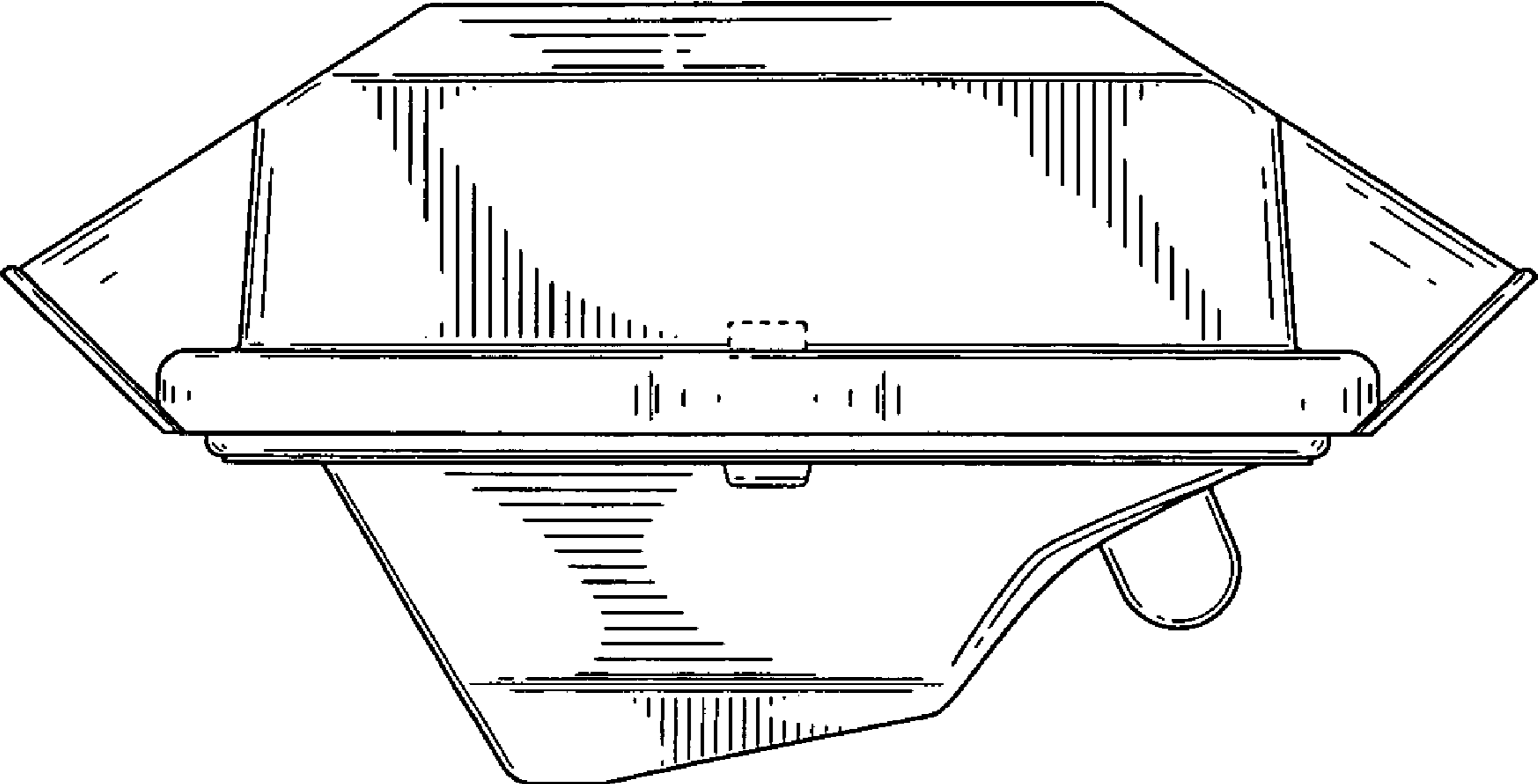
**FIG. 2**



**FIG. 3**



**FIG. 4**



**FIG. 5**

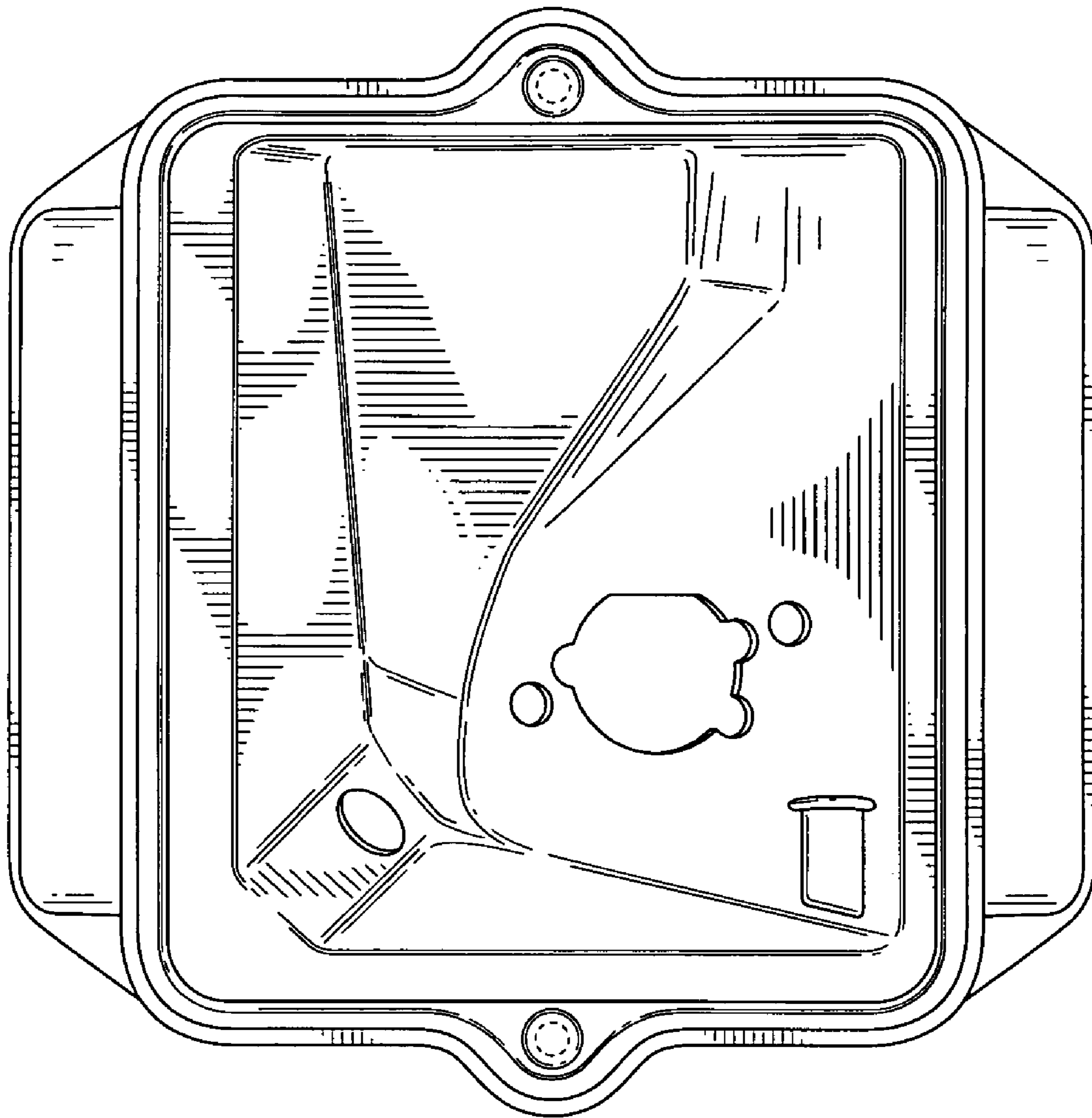
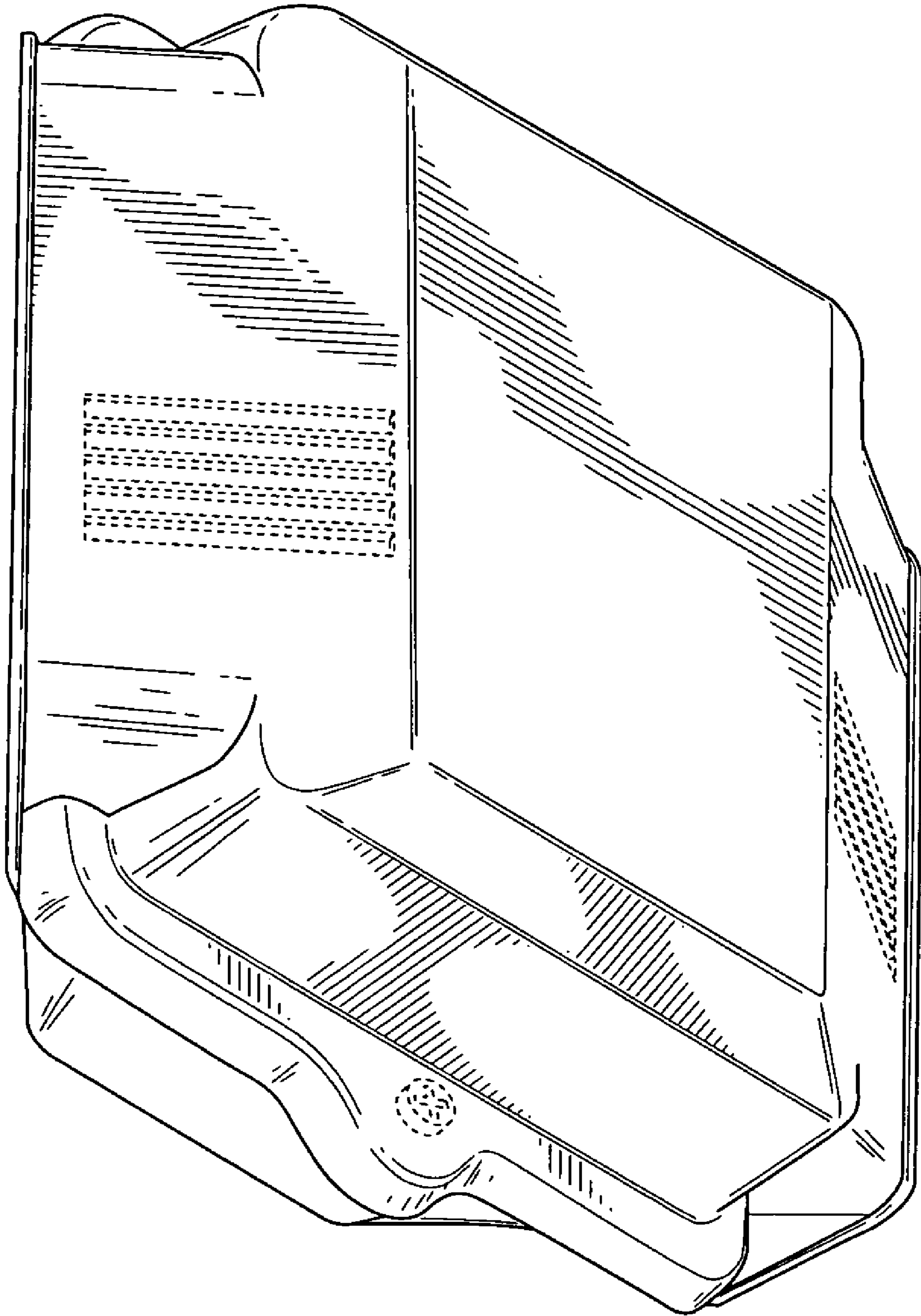


FIG. 6





**FIG. 7**