



US00D600250S

(12) **United States Design Patent**
Nagata

(10) **Patent No.:** **US D600,250 S**

(45) **Date of Patent:** **** Sep. 15, 2009**

(54) **MP3 PLAYER SPEAKER**

(75) Inventor: **A. Nagata**, Taipei (TW)

(73) Assignee: **Sanyei Corporation (Taiwan) Ltd.**,
Taipei (TW)

(**) Term: **14 Years**

(21) Appl. No.: **29/302,883**

(22) Filed: **Jan. 28, 2008**

(51) **LOC (9) Cl.** **14-03**

(52) **U.S. Cl.** **D14/496; D14/168**

(58) **Field of Classification Search** D14/496,
D14/401, 435, 474, 483, 217, 137, 138, 160,
D14/168, 356, 203.1–203.8, 507, 209, 209.1,
D14/221, 224; 345/156, 169, 173–179, 905;
715/727–729, 864; 710/1, 5, 8; 713/1, 600;
455/1.1, 1.7, 73, 344–347, 93, 95, 3.01–3.06,
455/550.1, 573.1; 370/342–344; 369/1,
369/2, 6–12; 463/43–47; 273/148 B

See application file for complete search history.

(56) **References Cited**

U.S. PATENT DOCUMENTS

5,100,098 A * 3/1992 Hawkins 248/291.1
D491,902 S * 6/2004 Chen D14/126
7,050,124 B2 * 5/2006 Schedivy 348/838
7,052,136 B2 * 5/2006 Johnson 353/15

D545,810 S * 7/2007 Hussaini et al. D14/168
D555,632 S * 11/2007 Iikura D14/499
D556,209 S * 11/2007 Brelo D14/496
D558,185 S * 12/2007 Schul et al. D14/214
D577,710 S * 9/2008 Joseph D14/204

* cited by examiner

Primary Examiner—Prabhakar Deshmukh
(74) *Attorney, Agent, or Firm*—Leong C. Lei

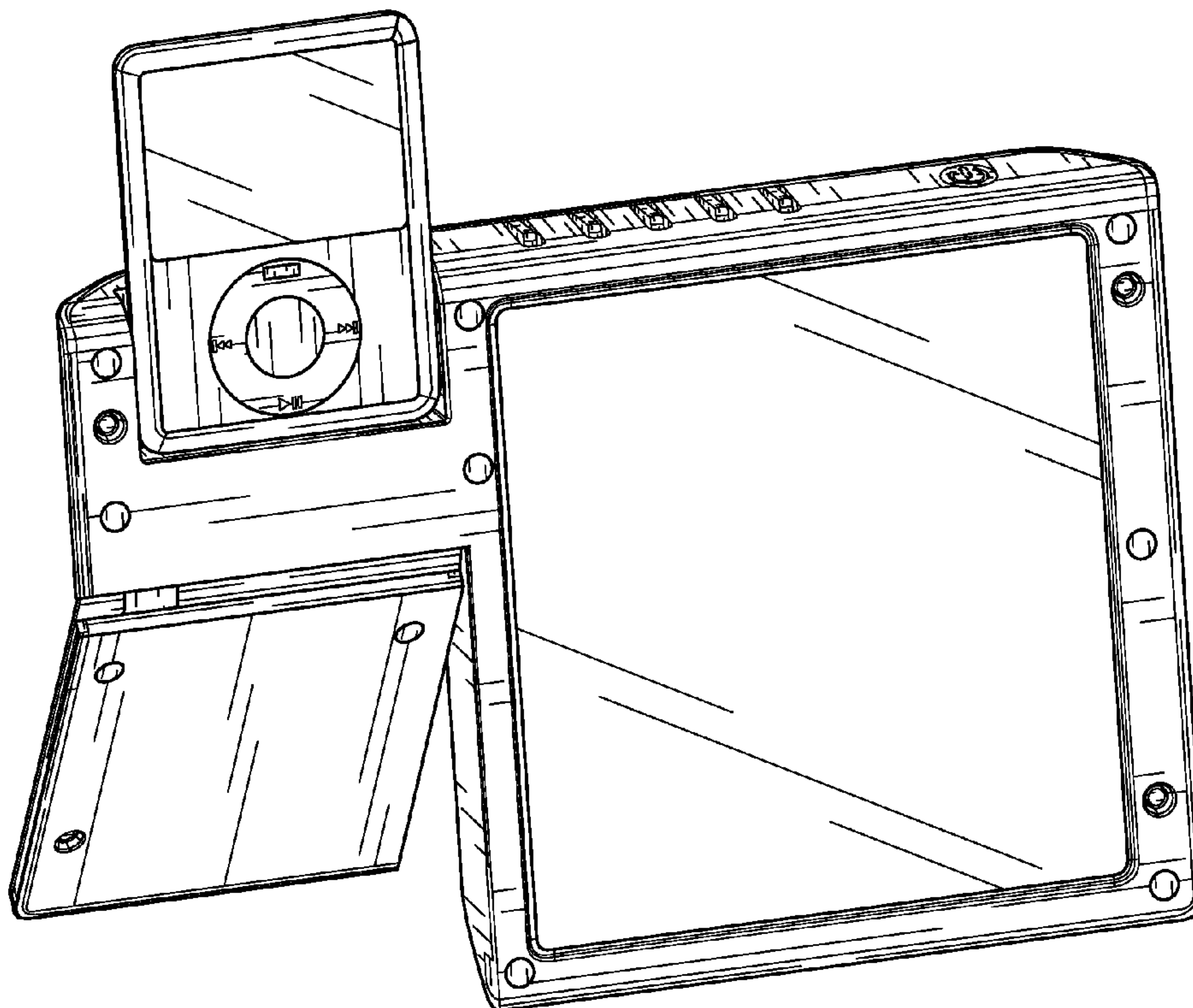
(57) **CLAIM**

The ornamental design for a MP3 player speaker, as shown and described.

DESCRIPTION

FIG. 1 is a perspective view of A MP3 player speaker showing my new design;
FIG. 2 is a front elevational view thereof, with the stand in a folded position;
FIG. 3 is a rear elevational view of FIG. 2;
FIG. 4 is a left side elevational view thereof;
FIG. 5 is a right side elevational view thereof;
FIG. 6 is a top plan view thereof;
FIG. 7 is a bottom plan view thereof; and,
FIG. 8 is another perspective view thereof, with the foldable stand placed in a folded position.

1 Claim, 8 Drawing Sheets



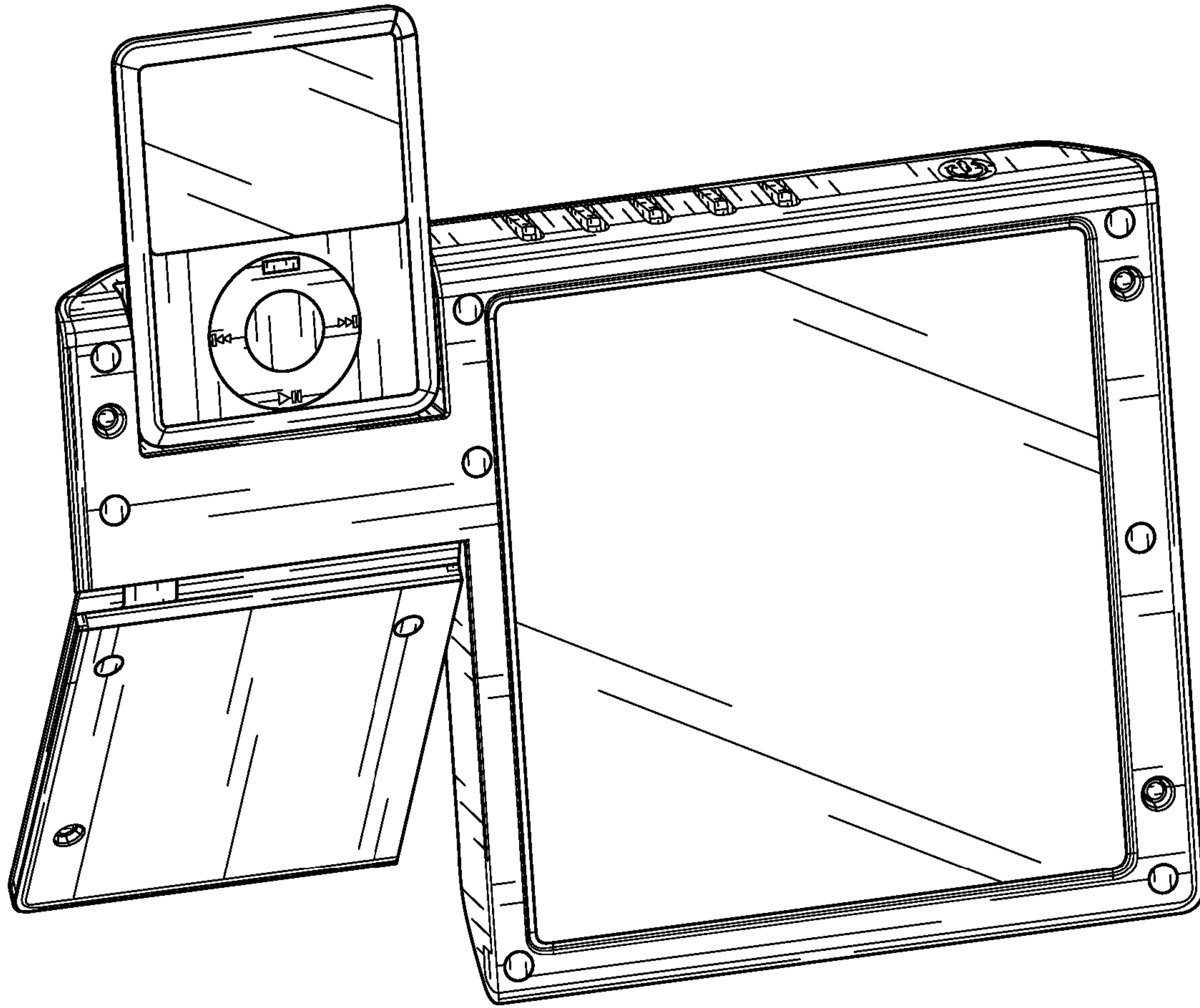


FIG. 1

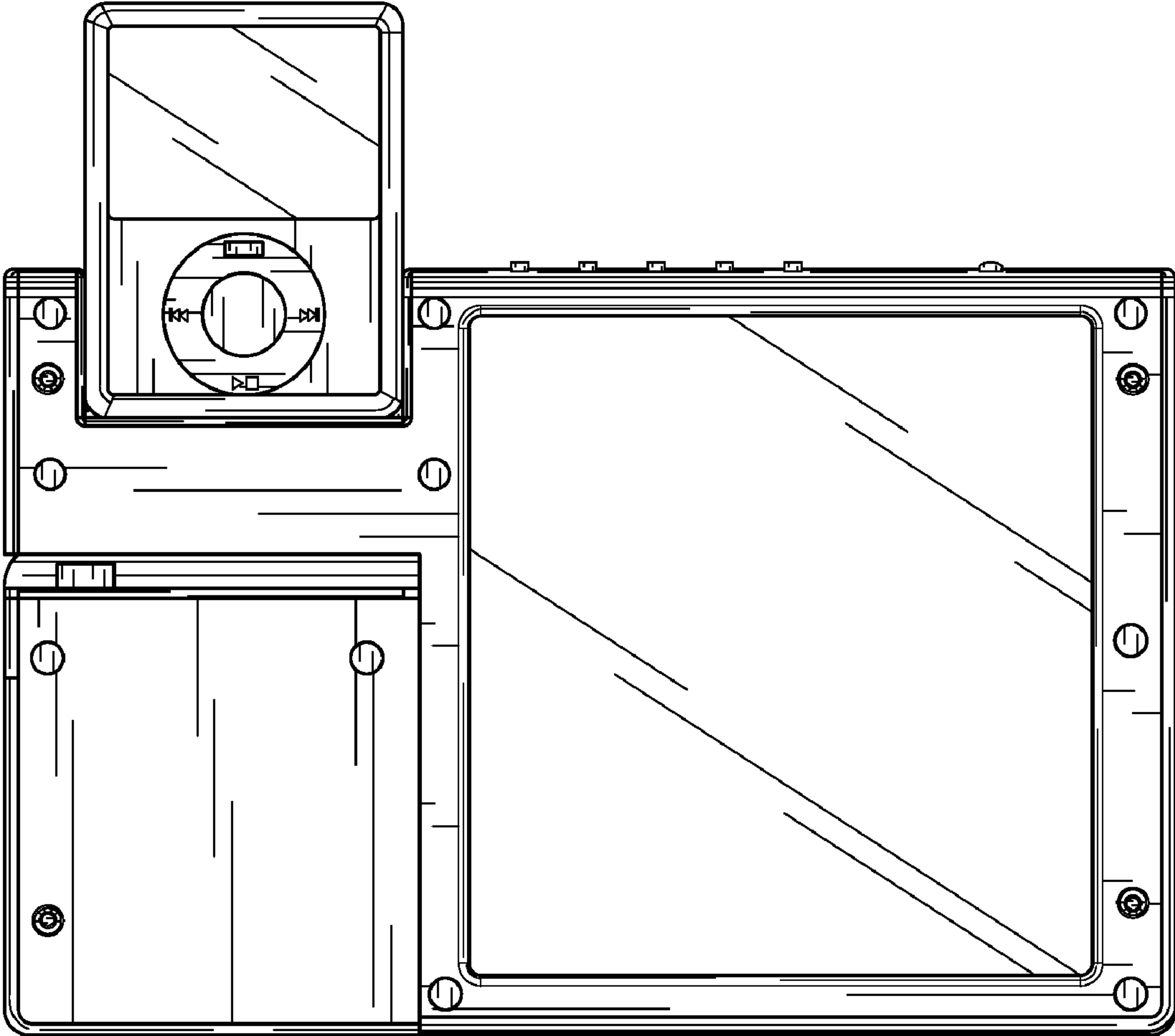


FIG. 2

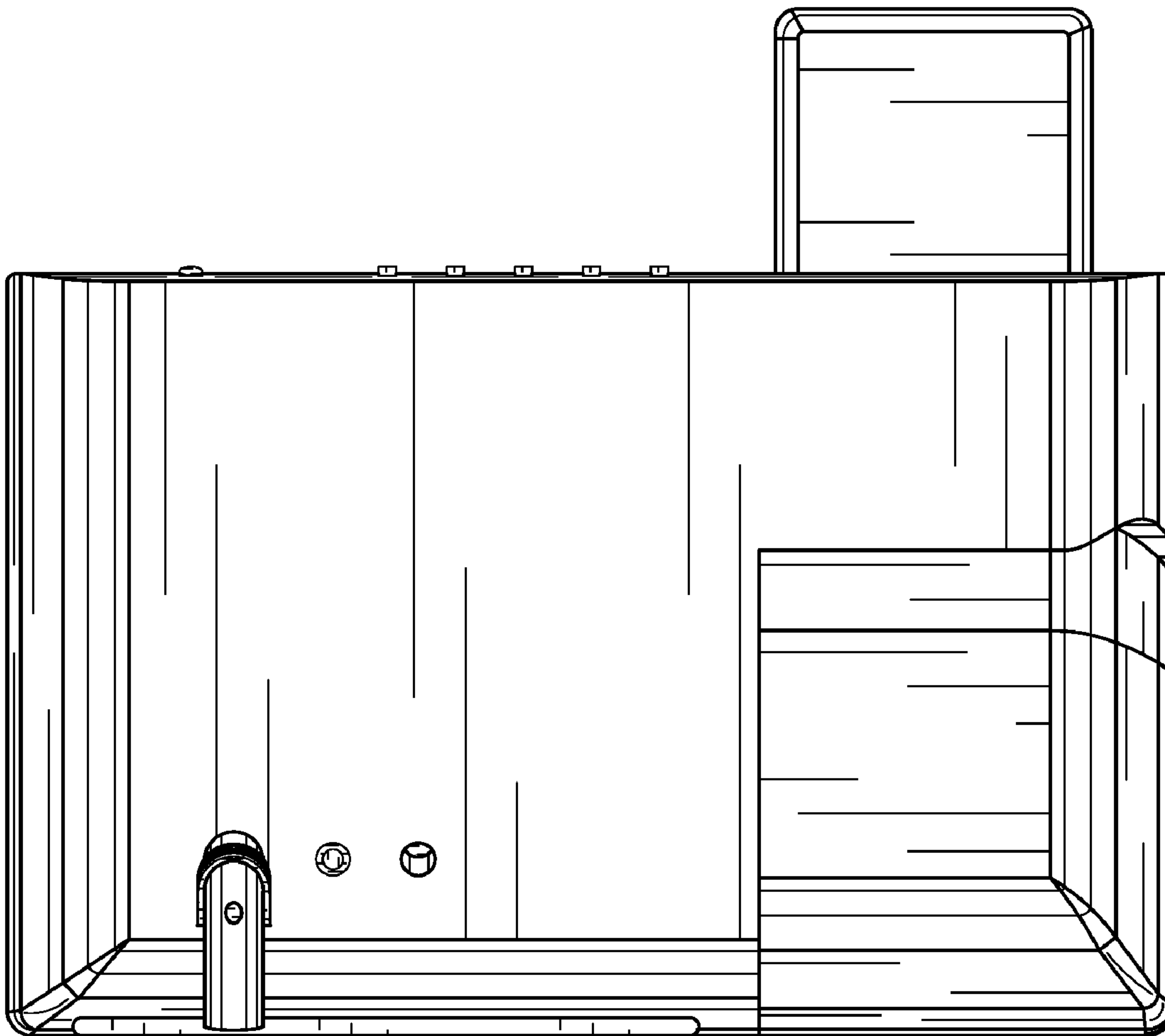


FIG. 3

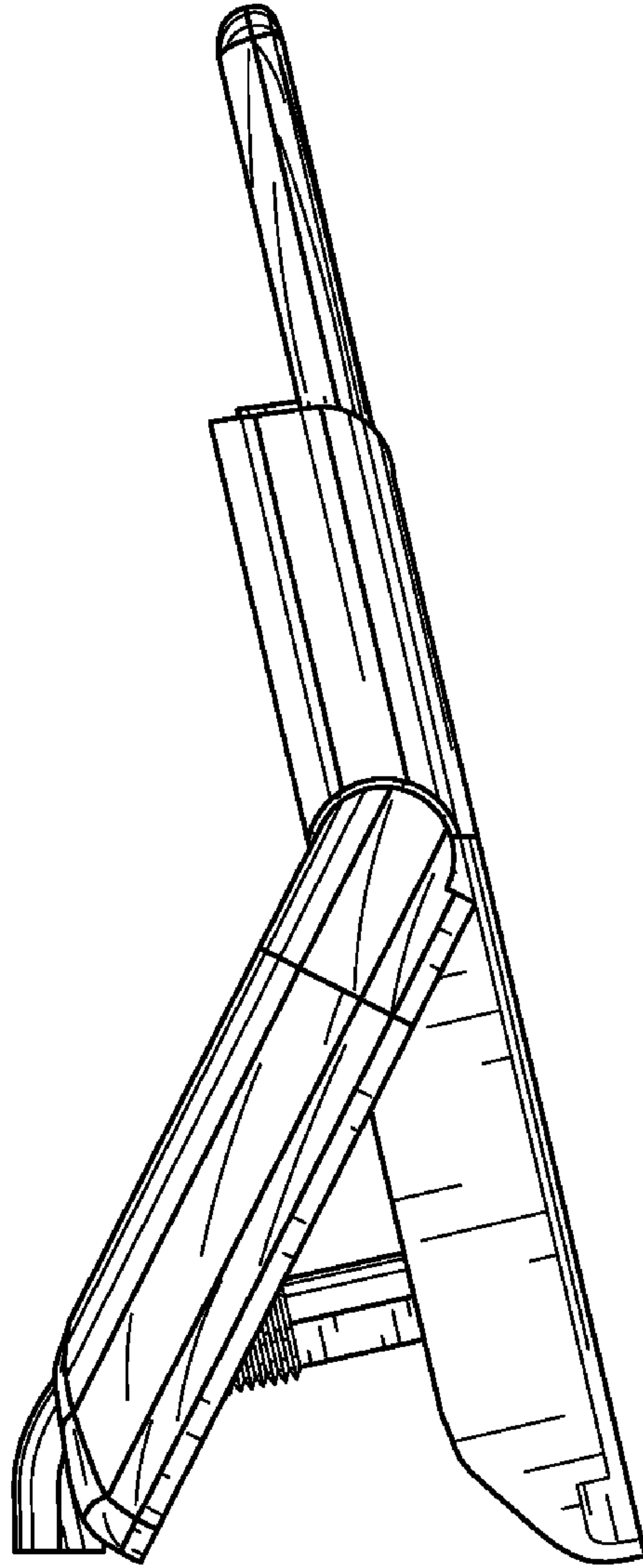


FIG. 4

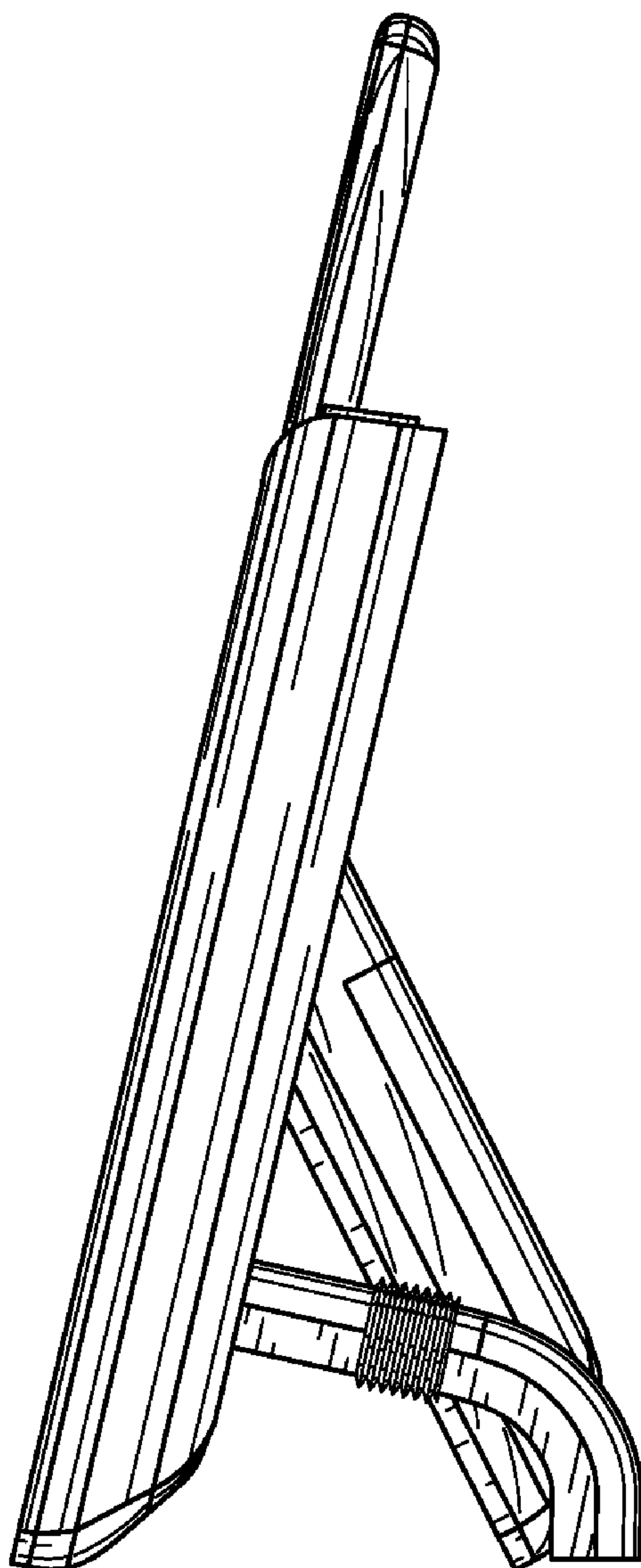


FIG. 5

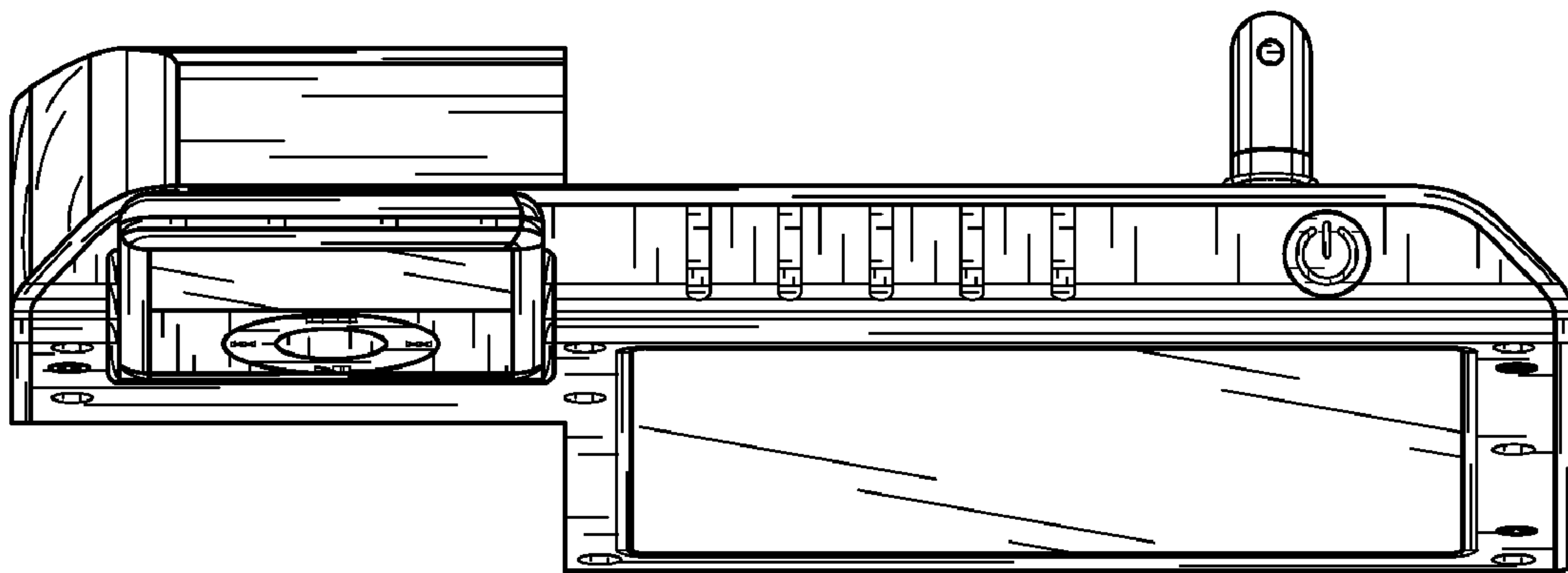


FIG. 6

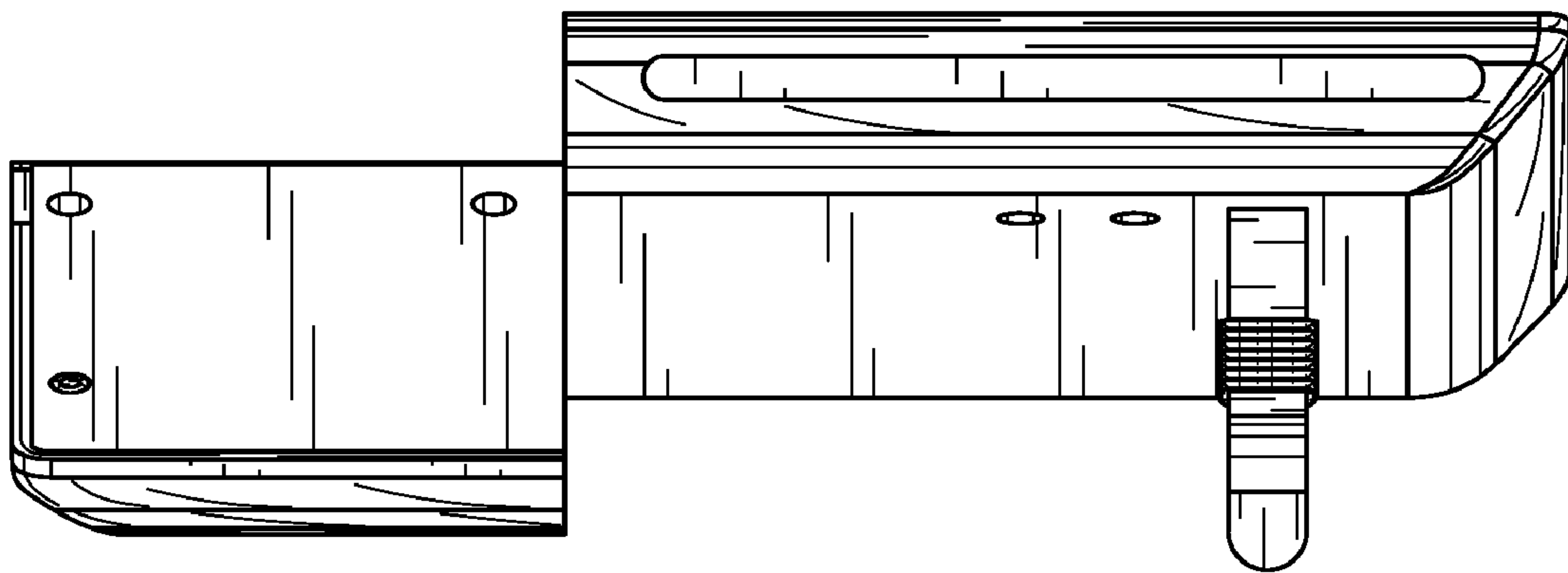


FIG. 7

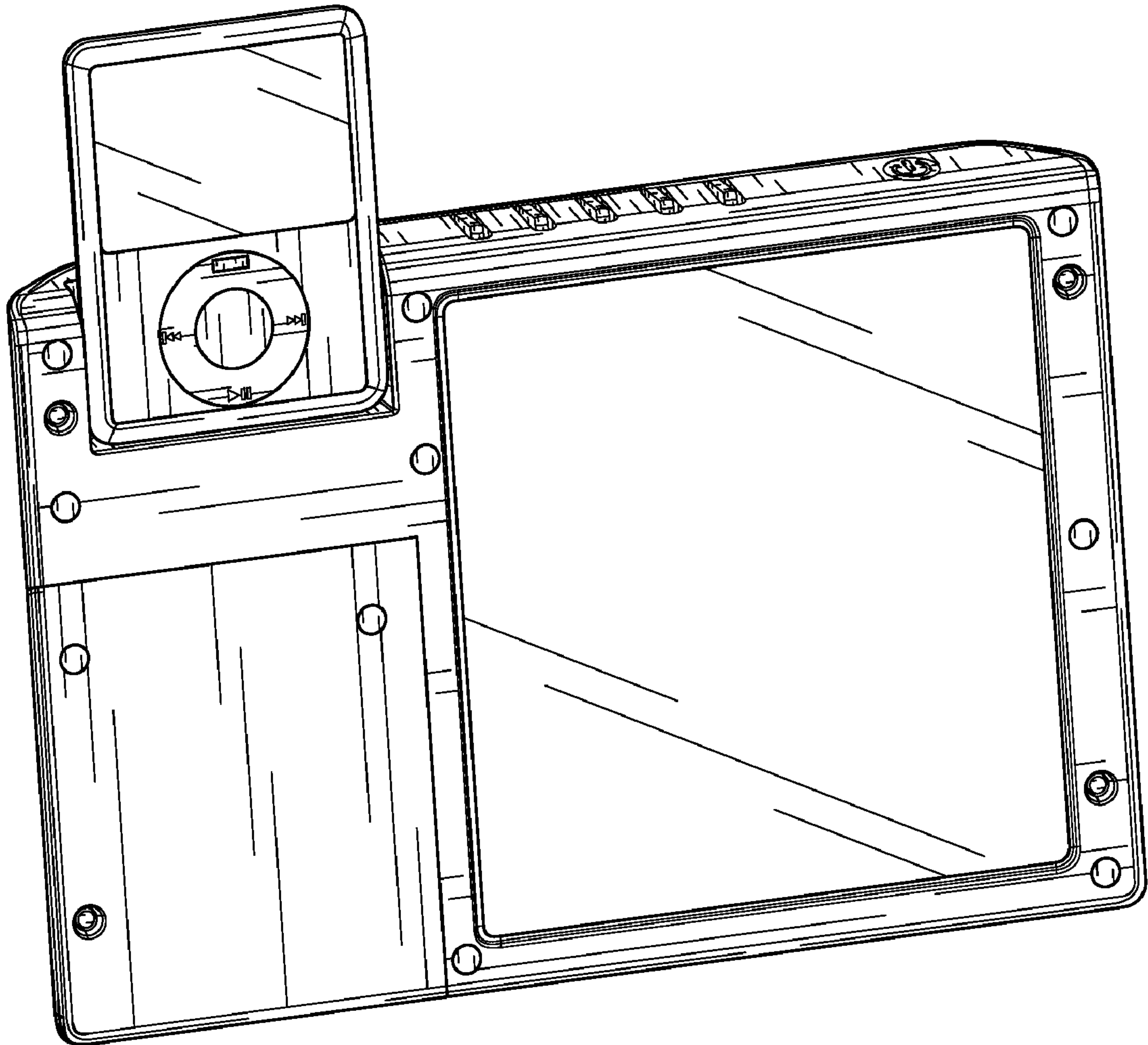


FIG. 8