



US00D600247S

(12) **United States Design Patent**
Crozier et al.

(10) **Patent No.:** **US D600,247 S**

(45) **Date of Patent:** **** Sep. 15, 2009**

(54) **HOUSING FOR REELS**

(75) Inventors: **Alan David Crozier**, London (GB);
Stephen Anthony Ruff, Chesham (GB);
Navdeep Singh Riarh, Chesham (GB)

(73) Assignee: **Martin-Baker Aircraft Co. Ltd.** (GB)

(**) Term: **14 Years**

(21) Appl. No.: **29/326,614**

(22) Filed: **Oct. 21, 2008**

(30) **Foreign Application Priority Data**

Apr. 21, 2008 (EM) 920533-0001

(51) **LOC (9) Cl.** **14-01**

(52) **U.S. Cl.** **D14/484; D8/359**

(58) **Field of Classification Search** D14/161,
D14/484, 475, 496; D8/358, 359, 356, 308;
D22/137, 140; D12/206; D3/24; 242/118.7,
242/159, 476.6, 608.8, 614.1; 206/412; 137/355.27;
254/213

See application file for complete search history.

(56) **References Cited**

U.S. PATENT DOCUMENTS

6,022,207 A * 2/2000 Dahlin et al. 425/145
D448,652 S * 10/2001 Spear et al. D8/359
D457,059 S * 5/2002 Macrae D14/484
D460,343 S * 7/2002 Spear et al. D8/359
D460,910 S * 7/2002 Stafford D8/358

D467,246 S * 12/2002 Macrae
6,742,740 B2 * 6/2004 Tisbo et al. 242/395
D586,202 S * 2/2009 Zhang D8/359
D586,203 S * 2/2009 Zhang D8/359

FOREIGN PATENT DOCUMENTS

GB 2436617 10/2007
GB 2436706 10/2007

* cited by examiner

Primary Examiner—Stella M Reid

Assistant Examiner—Keli L Hill

(74) *Attorney, Agent, or Firm*—Hancock Hughey LLP

(57) **CLAIM**

The ornamental design for a housing for reels, substantially as shown and described.

DESCRIPTION

FIG. 1 is a front perspective view of a housing for reels, embodying our new design;

FIG. 2 is a rear perspective view there of;

FIG. 3 is a front elevation view thereof;

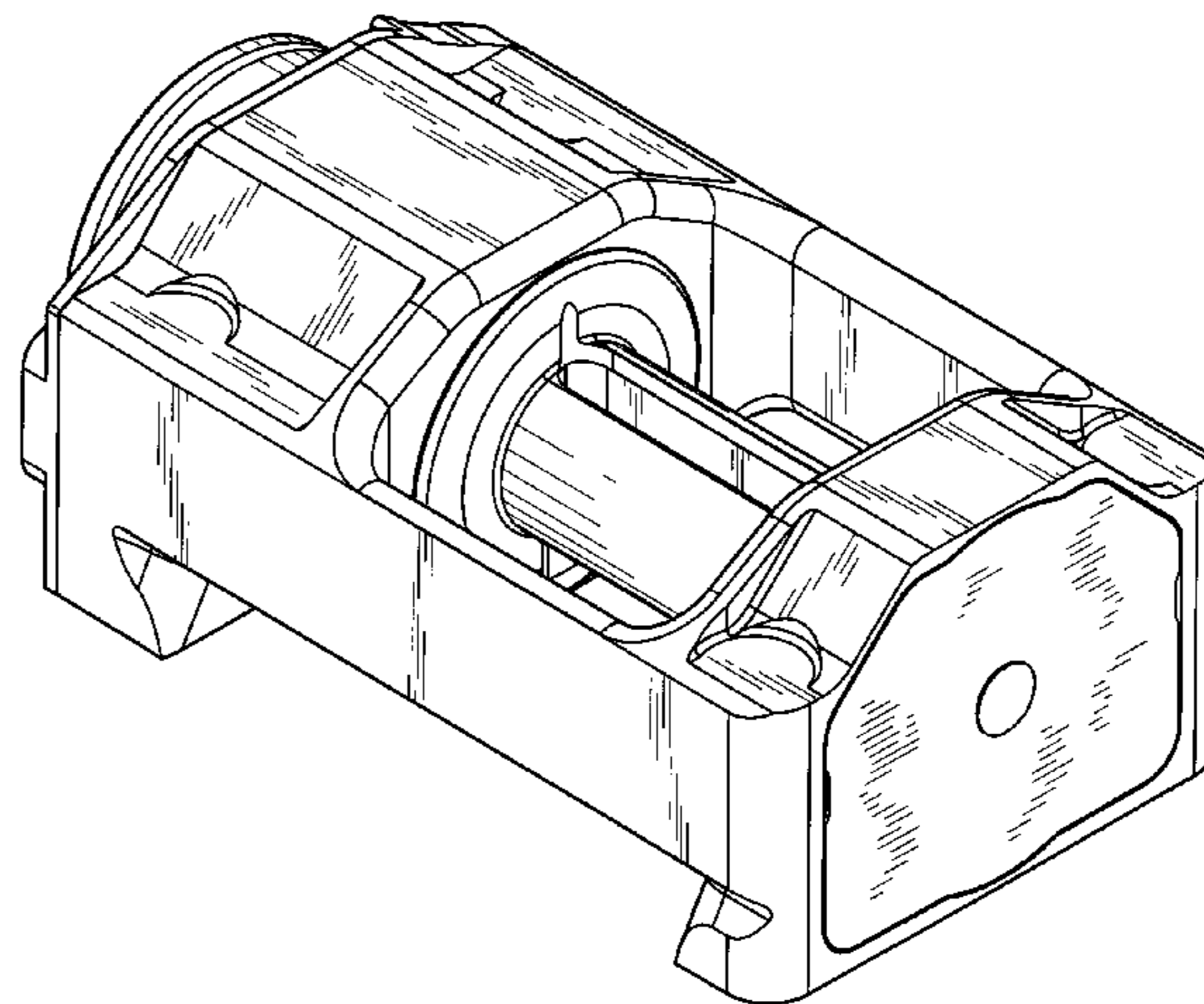
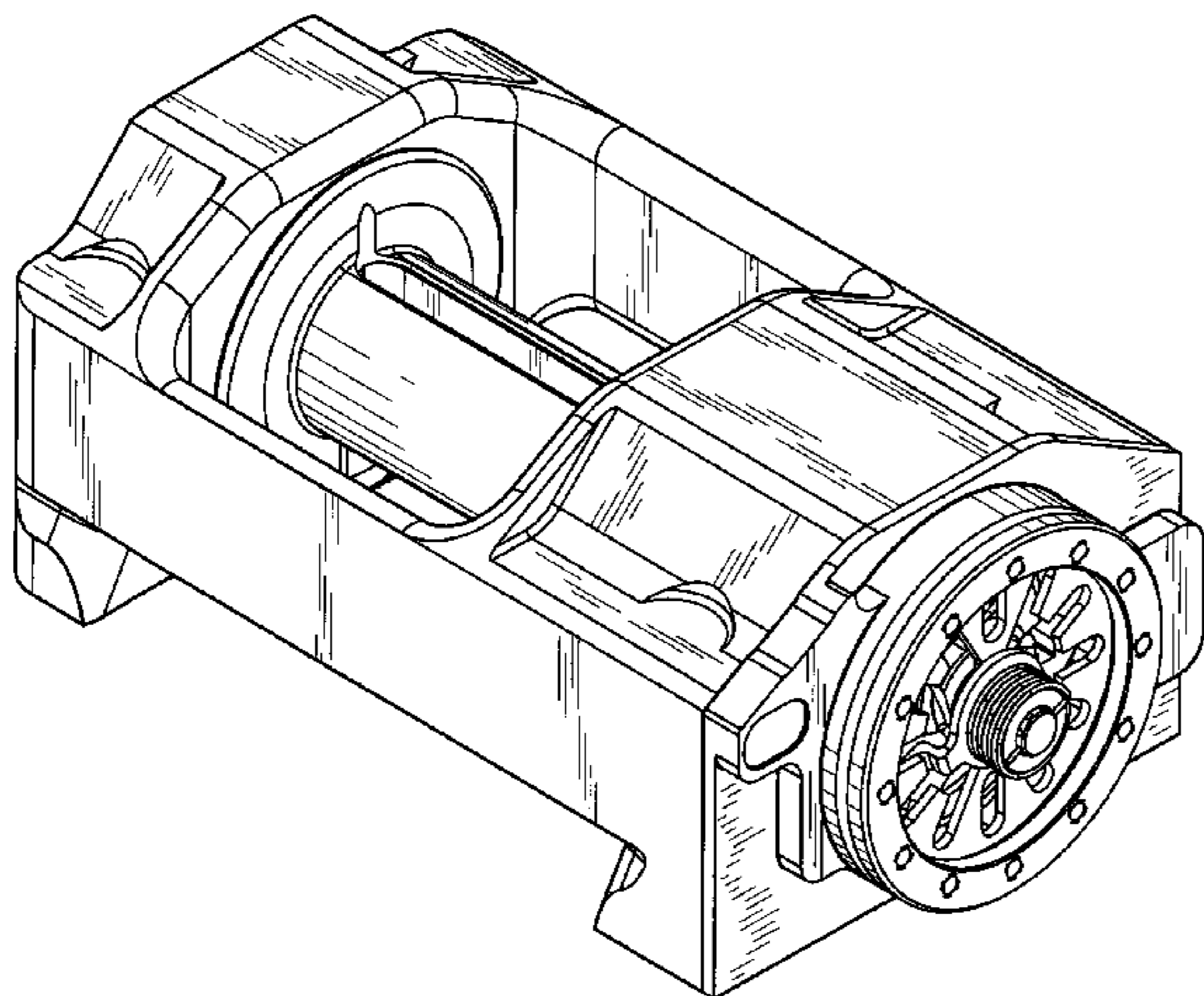
FIG. 4 is a rear elevation view thereof;

FIG. 5 is a top plan view thereof;

FIG. 6 is a bottom plan view thereof; and,

FIG. 7 is a right side elevation view thereof, the left side elevation view being a mirror image thereto.

1 Claim, 7 Drawing Sheets



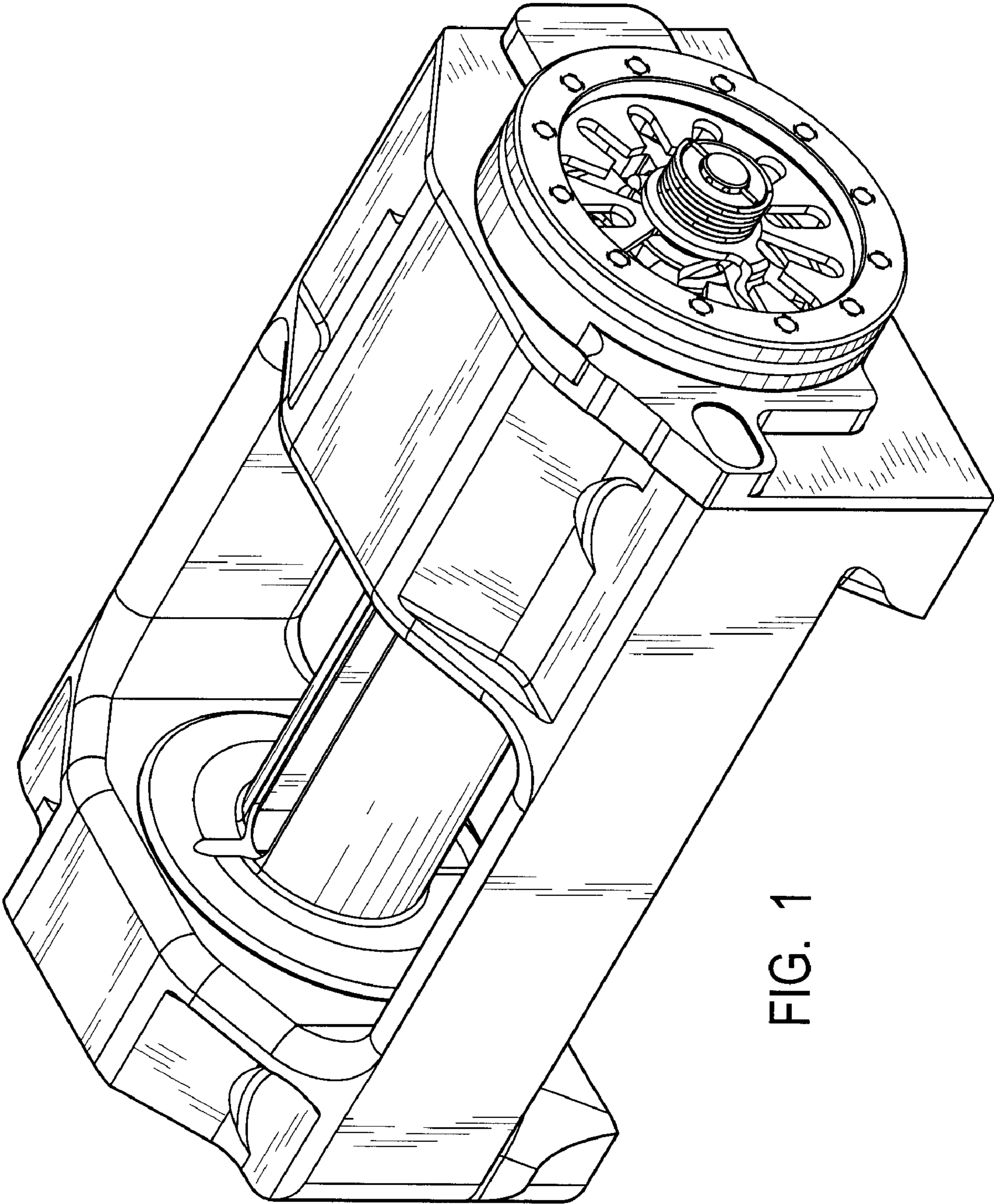


FIG. 1

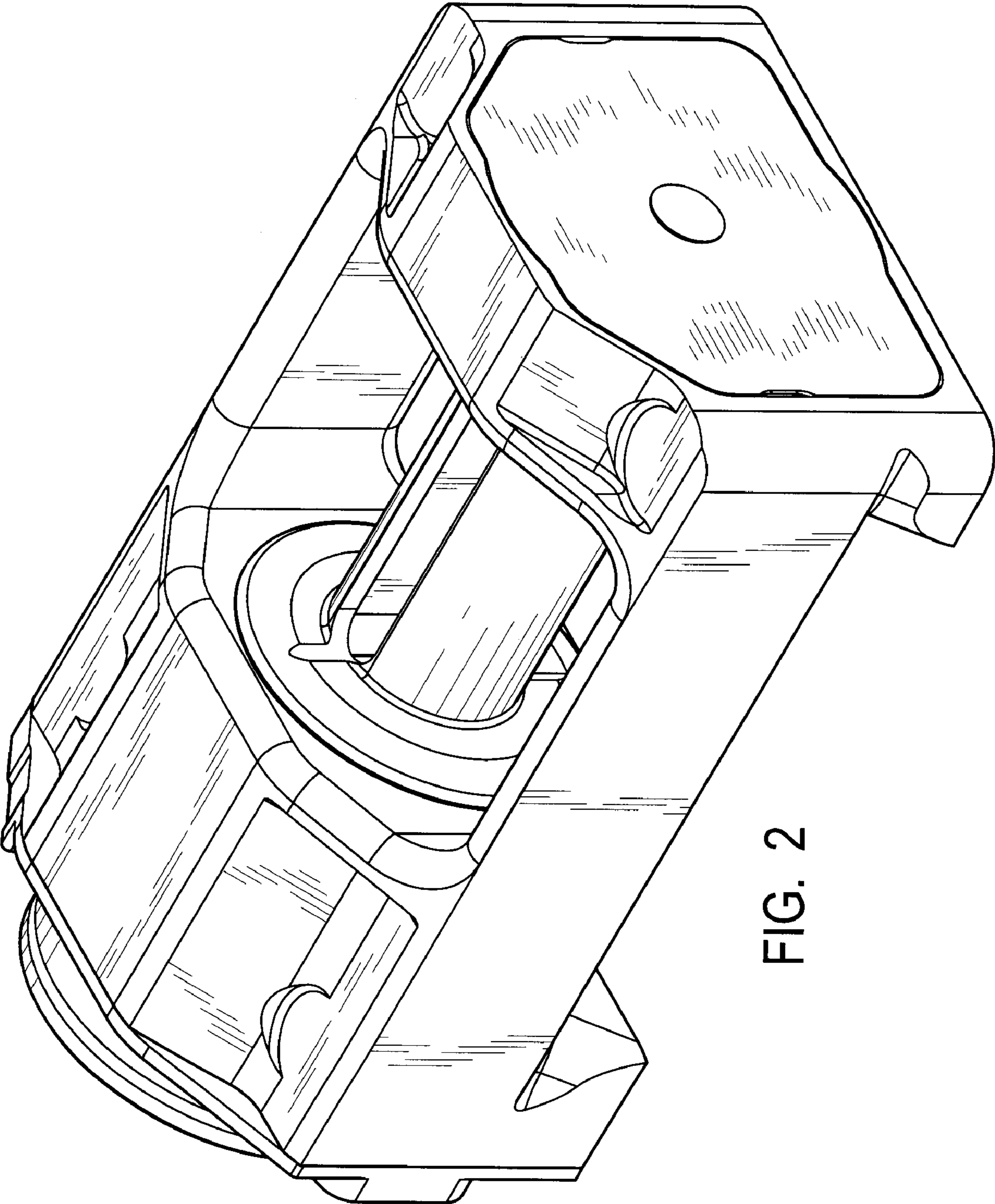


FIG. 2

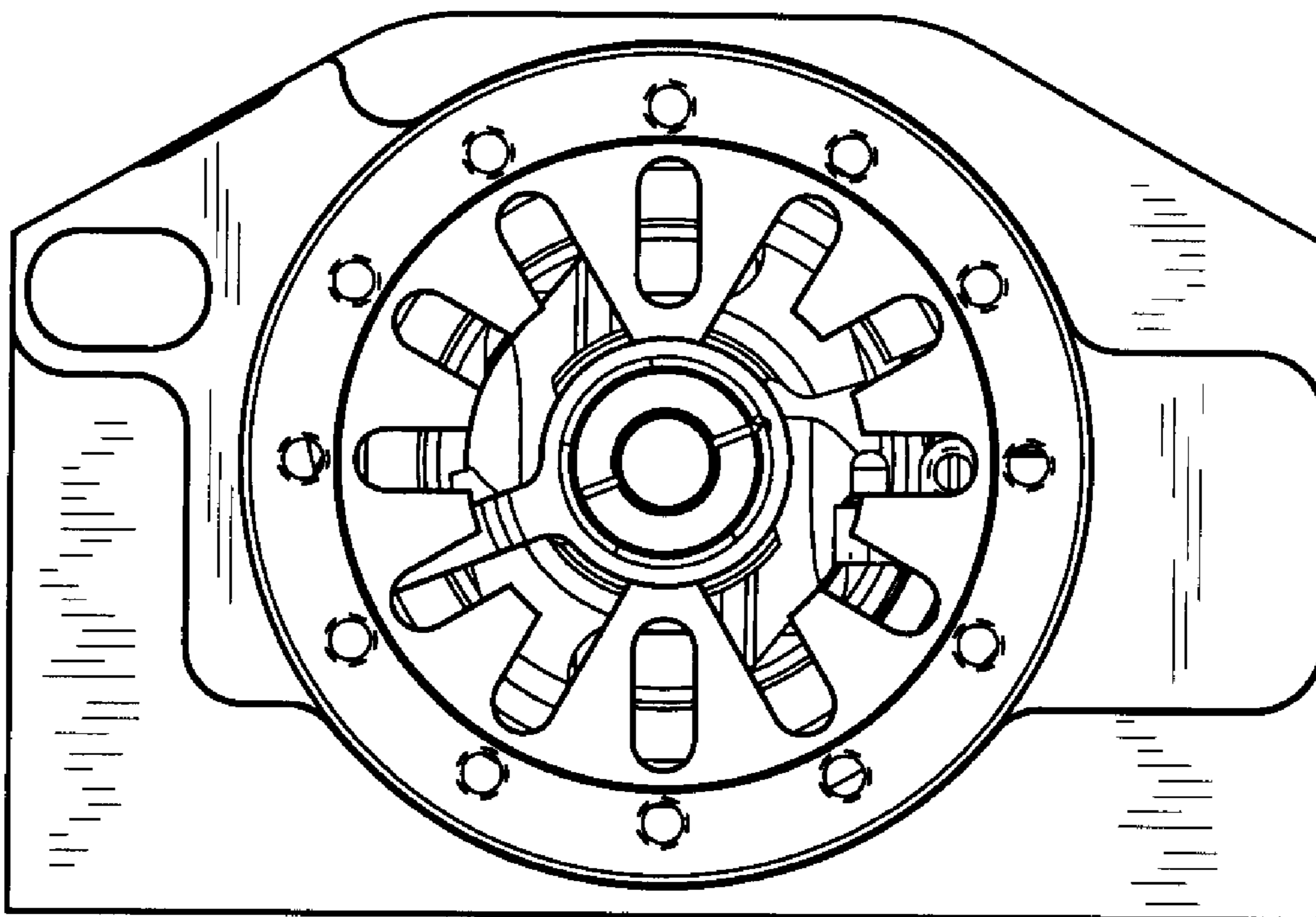


FIG. 3

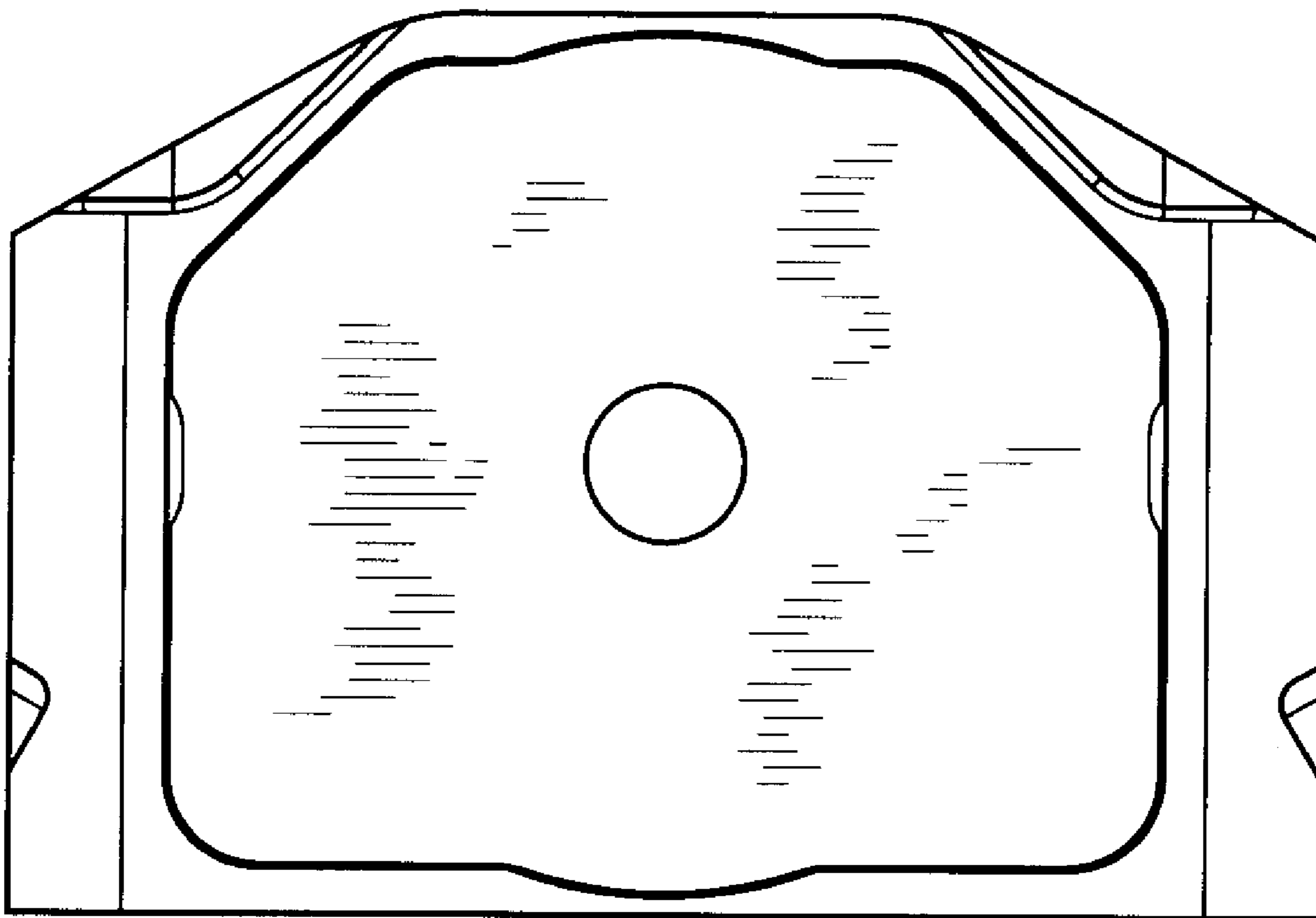


FIG. 4

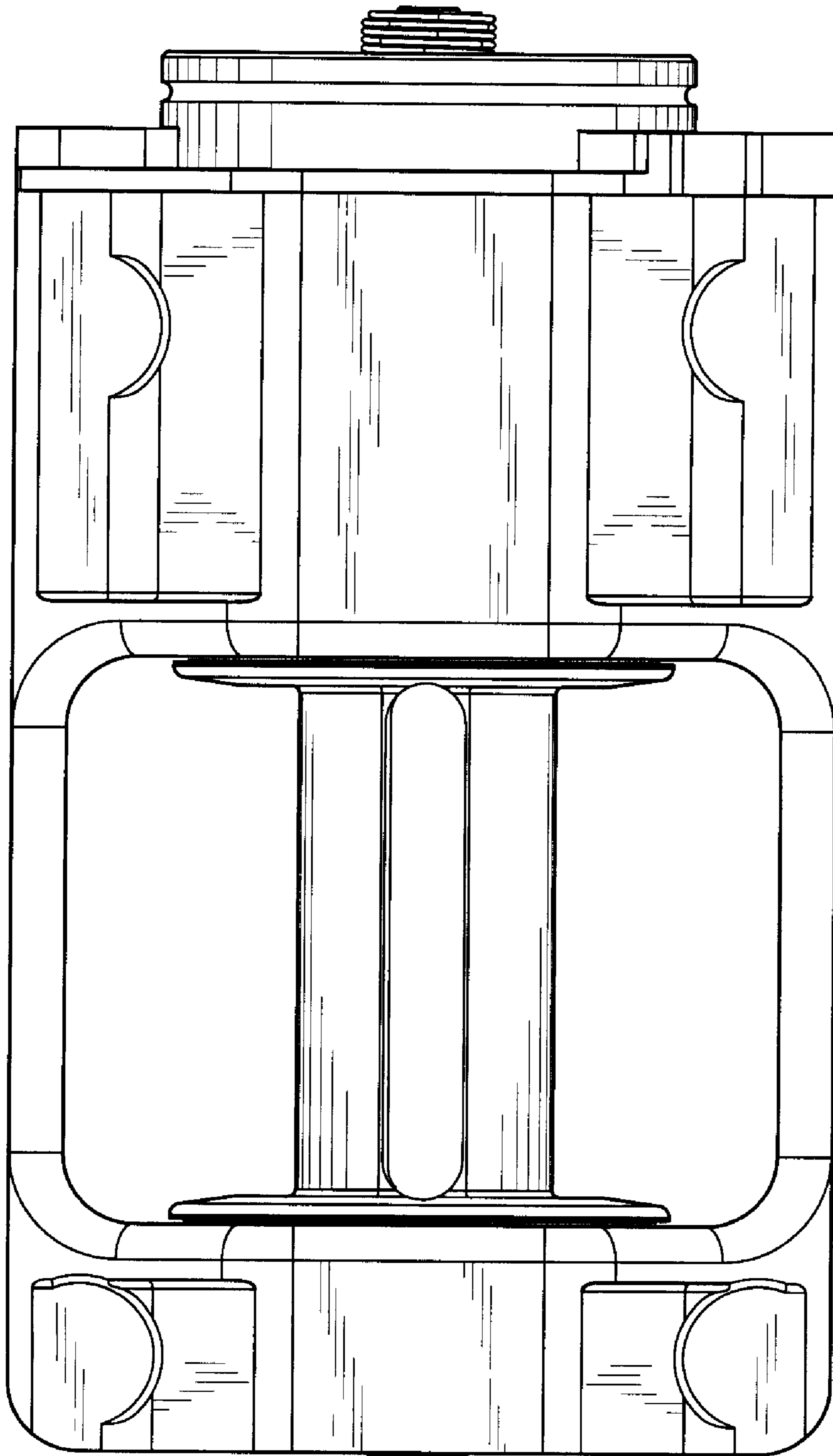


FIG. 5

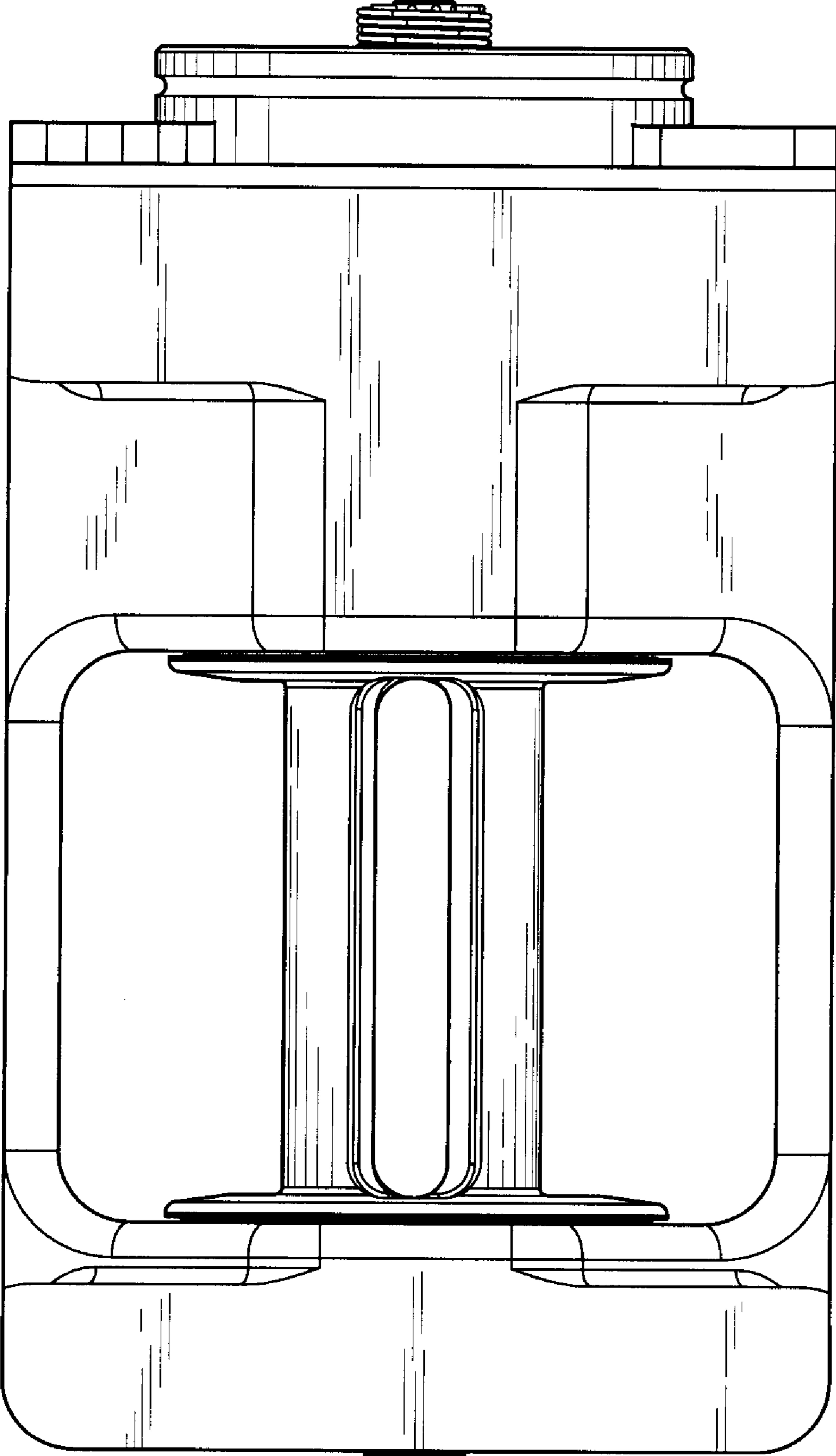


FIG. 6

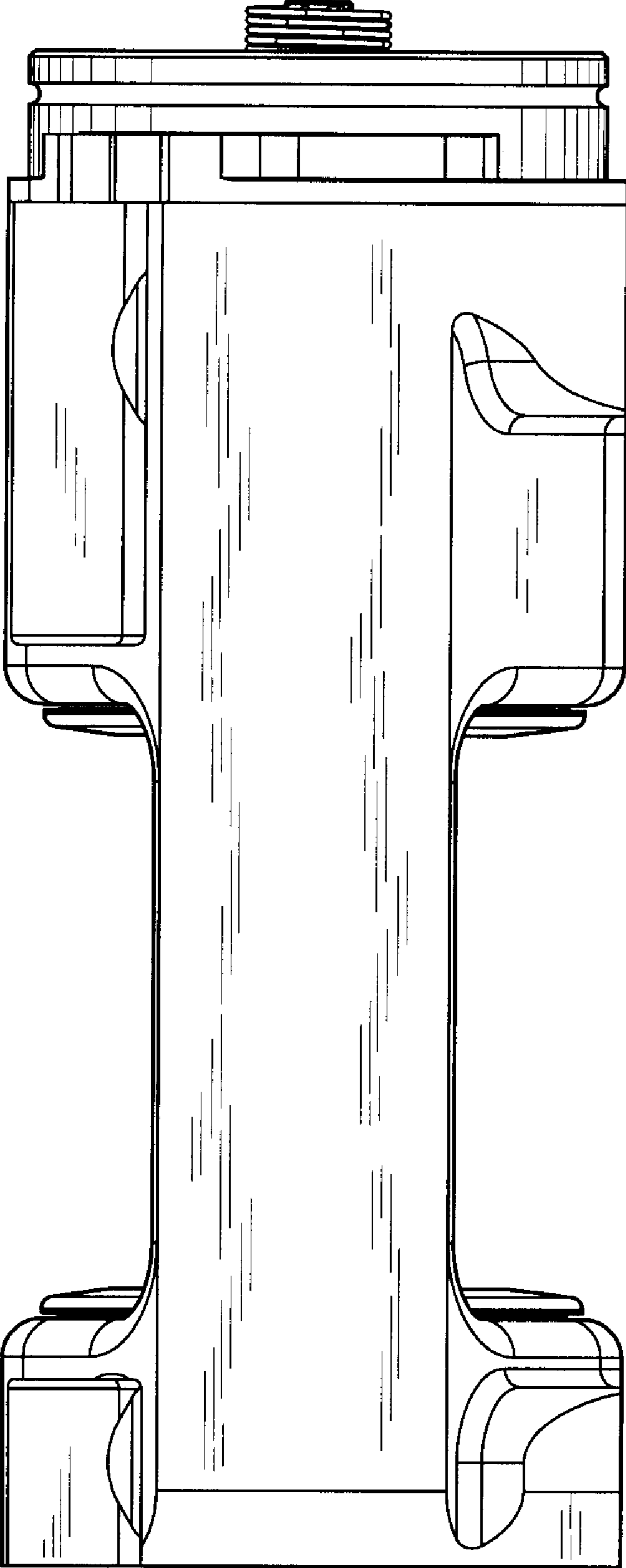


FIG. 7