

US00D600246S

(12) **United States Design Patent**
Yuuki et al.

(10) **Patent No.:** **US D600,246 S**
(45) **Date of Patent:** **** Sep. 15, 2009**

(54) **DISPLAY**

(75) Inventors: **Toshinori Yuuki**, Tokyo (JP); **Chin-Jen Lin**, Taipei (TW)

(73) Assignee: **NEC Display Solutions, Ltd.**, Tokyo (JP)

(**) **Term:** **14 Years**

(21) **Appl. No.:** **29/319,113**

(22) **Filed:** **Jun. 4, 2008**

(30) **Foreign Application Priority Data**

Dec. 7, 2007 (JP) 2007-033540

(51) **LOC (9) Cl.** **08-07**

(52) **U.S. Cl.** **D14/451**

(58) **Field of Classification Search** D14/447, D14/451, 452, 449, 251, 253, 239, 432, 434, D14/439, 448, 450, 454, 455, 457, 458, 459, D14/460, 461, 336, 337, 371, 372, 373, 374, D14/375, 376, 377, 378, 379, 380, 381, 382, D14/125, 126, 127, 129, 133, 305, 307, 335, D14/340, 339; D6/300, 308, 310, 312, 313, D6/314, 449, 512; D8/354, 363; D19/91, D19/90; 349/58, 60; 312/7.2; 348/790, 348/794, 825, 836; 211/42, 43, 126.6, 132.1, 211/171, 195; 248/917, 918, 919, 920, 921, 248/922, 923, 924, 451, 454, 460; 361/680, 361/681, 382, 683, 686; D12/415, 418
See application file for complete search history.

(56) **References Cited**

U.S. PATENT DOCUMENTS

D416,875 S * 11/1999 Chuo et al. D14/375
D473,878 S * 4/2003 Park D14/451

D477,320 S * 7/2003 Peng et al. D14/375
D521,997 S * 5/2006 Park et al. D14/375
D522,509 S * 6/2006 Park et al. D14/375
D524,311 S * 7/2006 Kim et al. D14/375
D528,116 S * 9/2006 Won et al. D14/375
D531,180 S * 10/2006 Goto D14/432
D532,398 S * 11/2006 Naruo D14/129
D540,795 S * 4/2007 Takahashi D14/375
D545,776 S * 7/2007 Kwon D14/126
D545,820 S * 7/2007 Won et al. D14/375
D558,201 S * 12/2007 Park et al. D14/375

* cited by examiner

Primary Examiner—Jennifer Rivard

Assistant Examiner—Angela J Lee

(74) *Attorney, Agent, or Firm*—Sughrue Mion, PLLC

(57) **CLAIM**

The ornamental design for a display, as shown and described.

DESCRIPTION

FIG. 1 is a front, right side, top perspective view of a display showing our new design;

FIG. 2 is a front elevational view thereof;

FIG. 3 is a rear elevational view thereof;

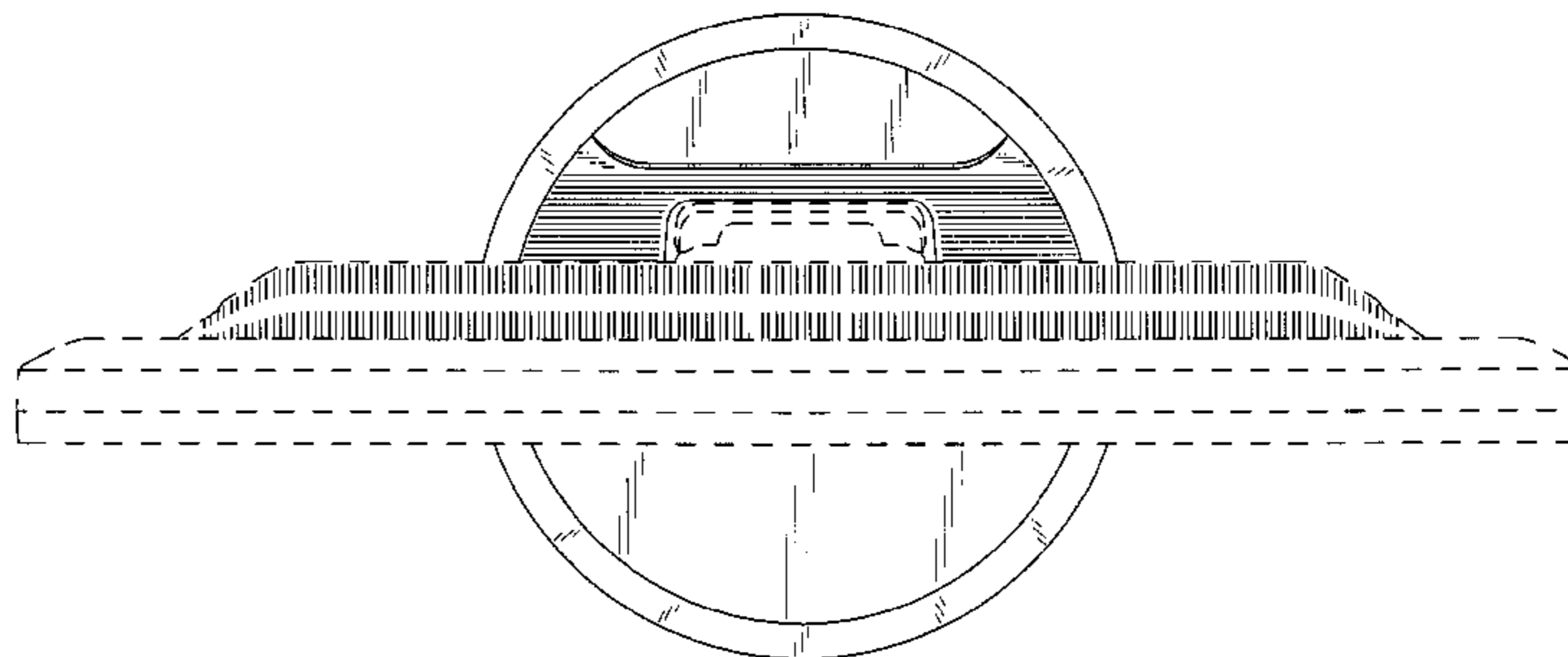
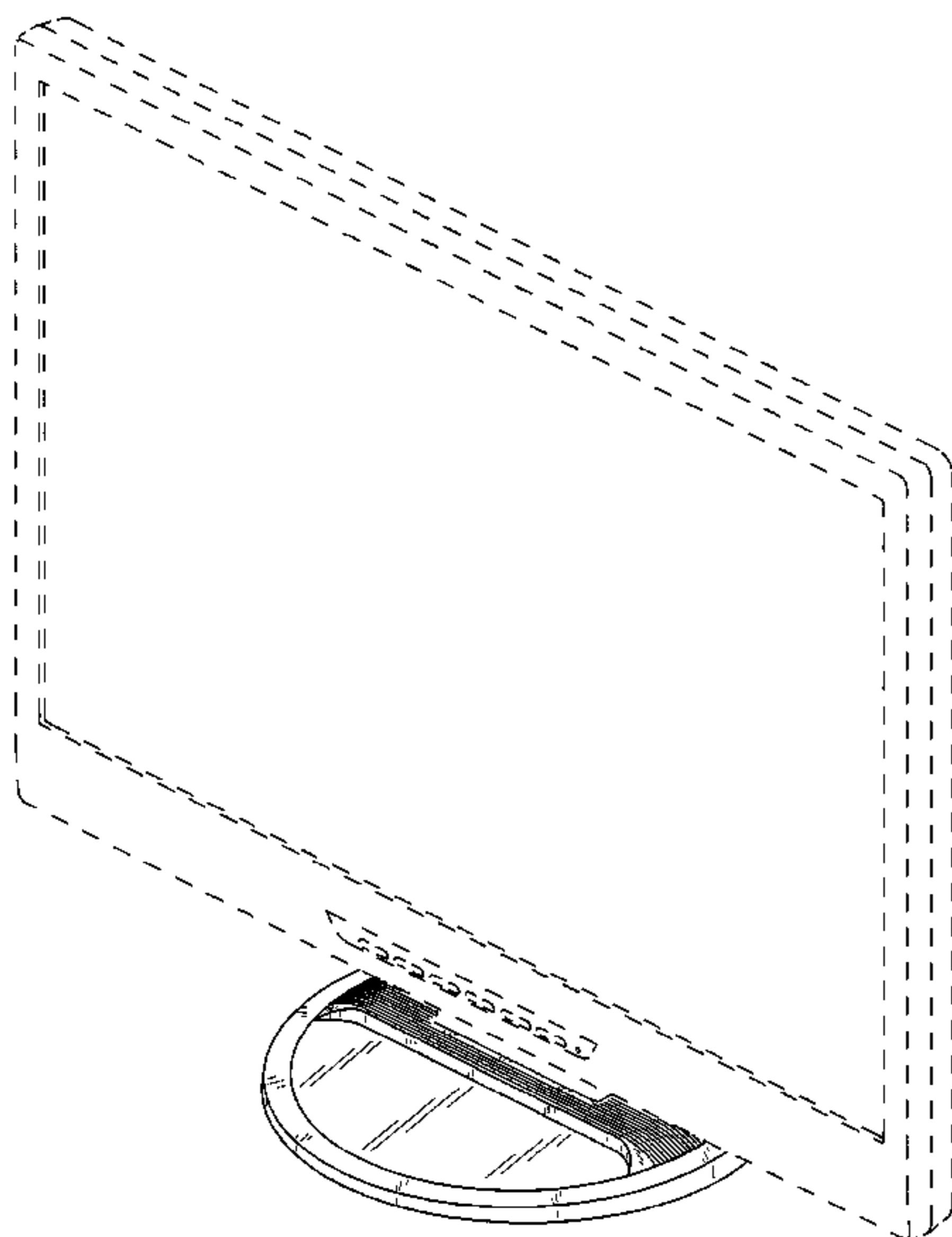
FIG. 4 is a left side view thereof;

FIG. 5 is a right side view thereof; and,

FIG. 6 is a top plan view thereof.

The portions in broken lines are shown for illustrative purposes only and form no part of the claimed design.

1 Claim, 5 Drawing Sheets



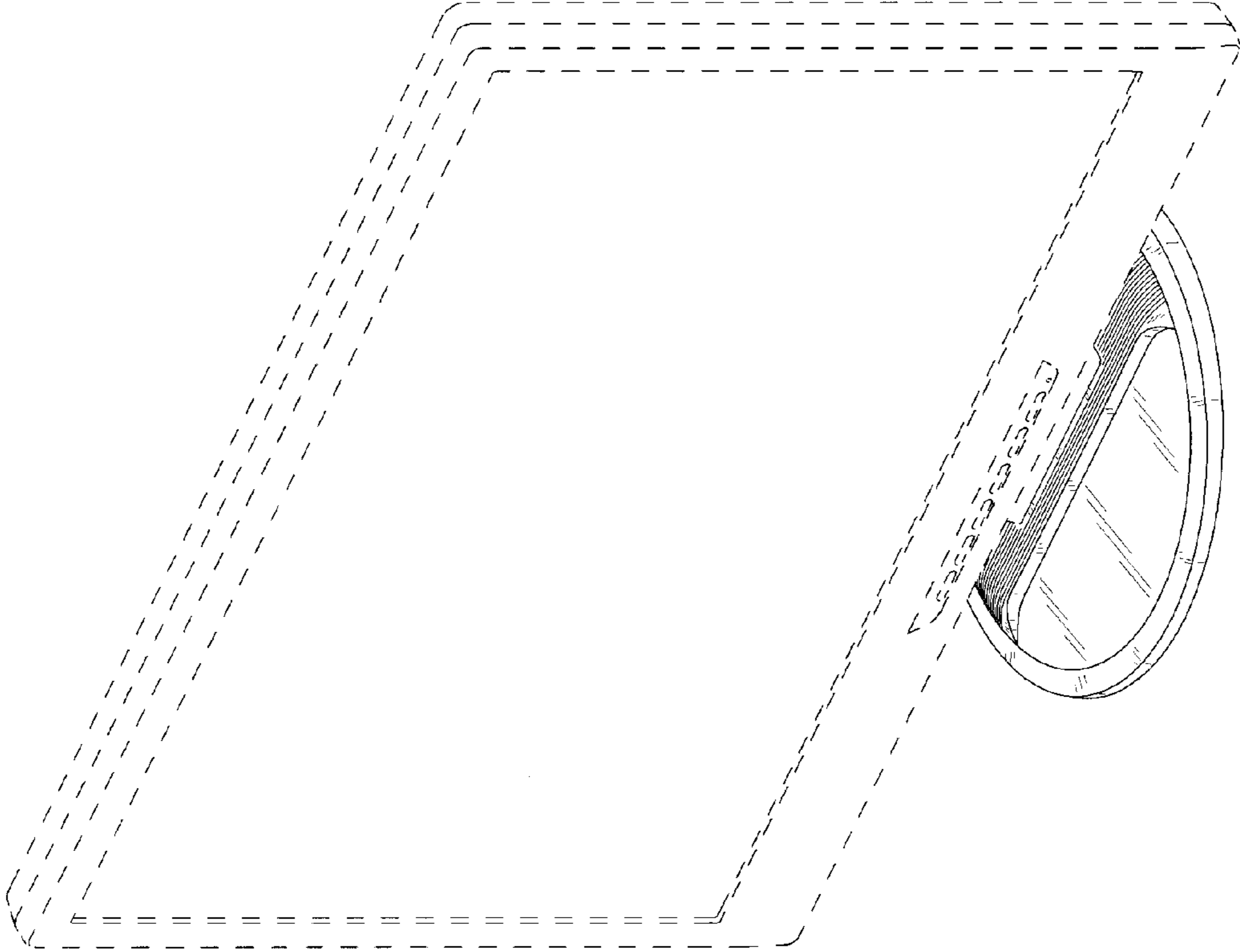


FIG. 1

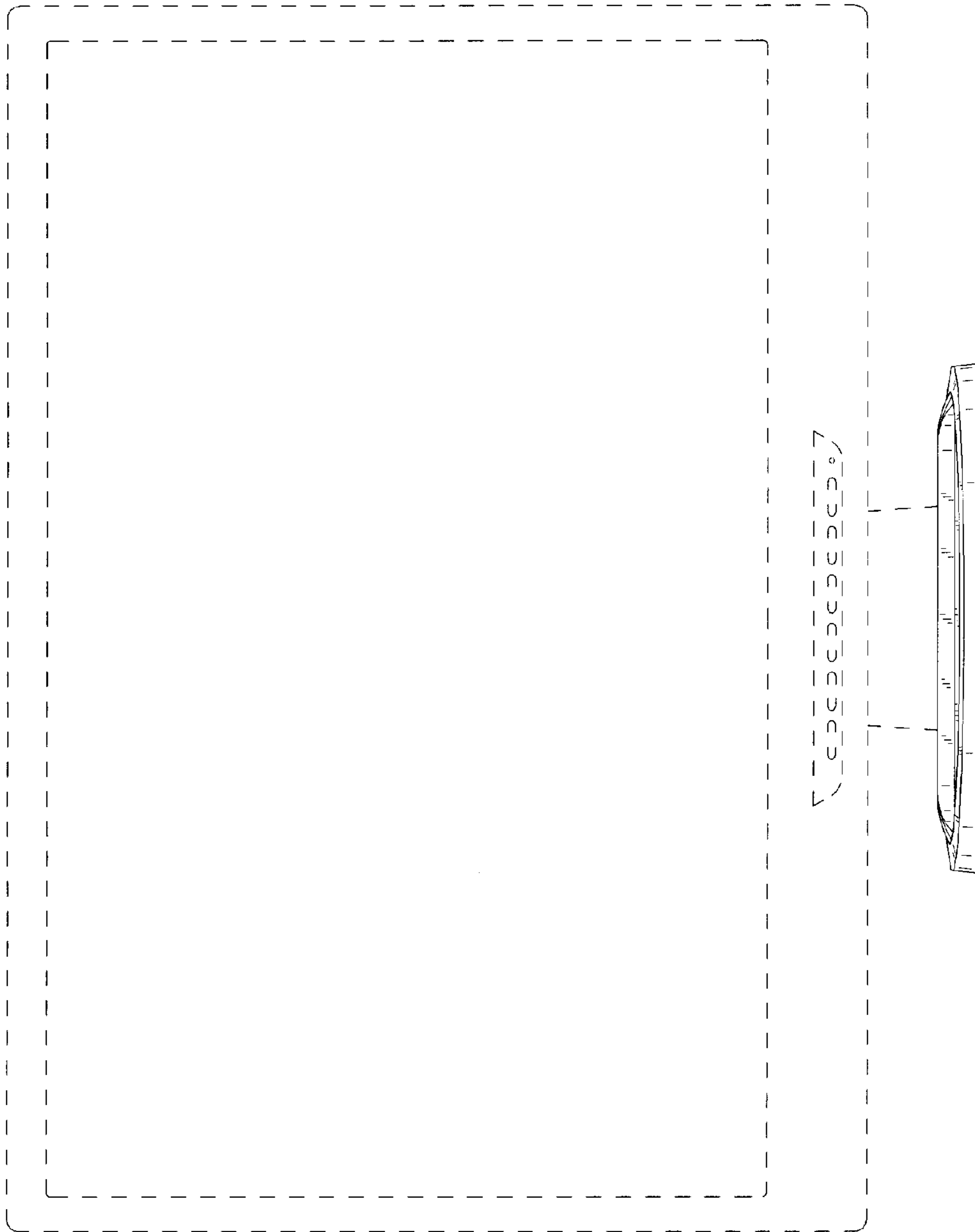


FIG. 2

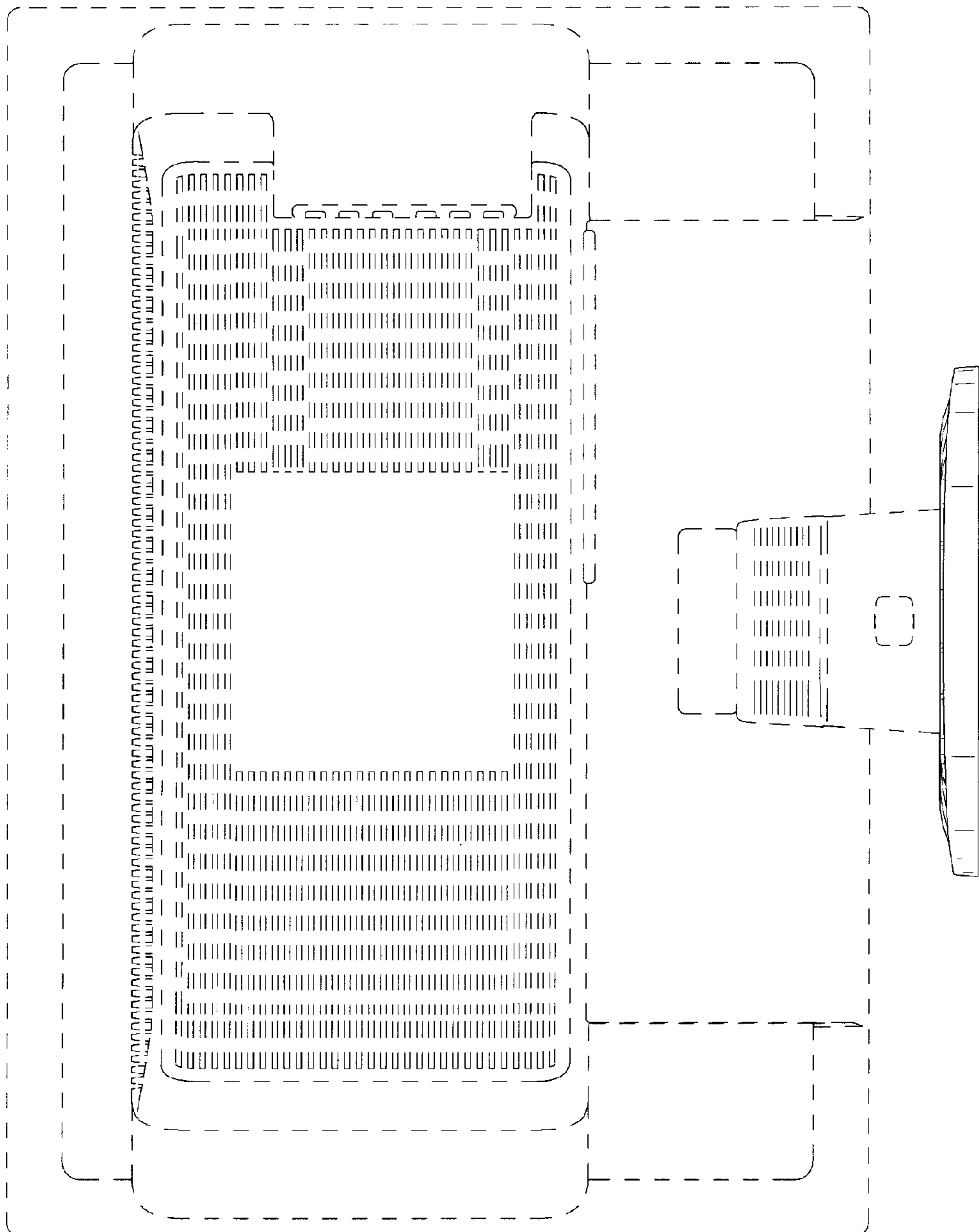


FIG. 3

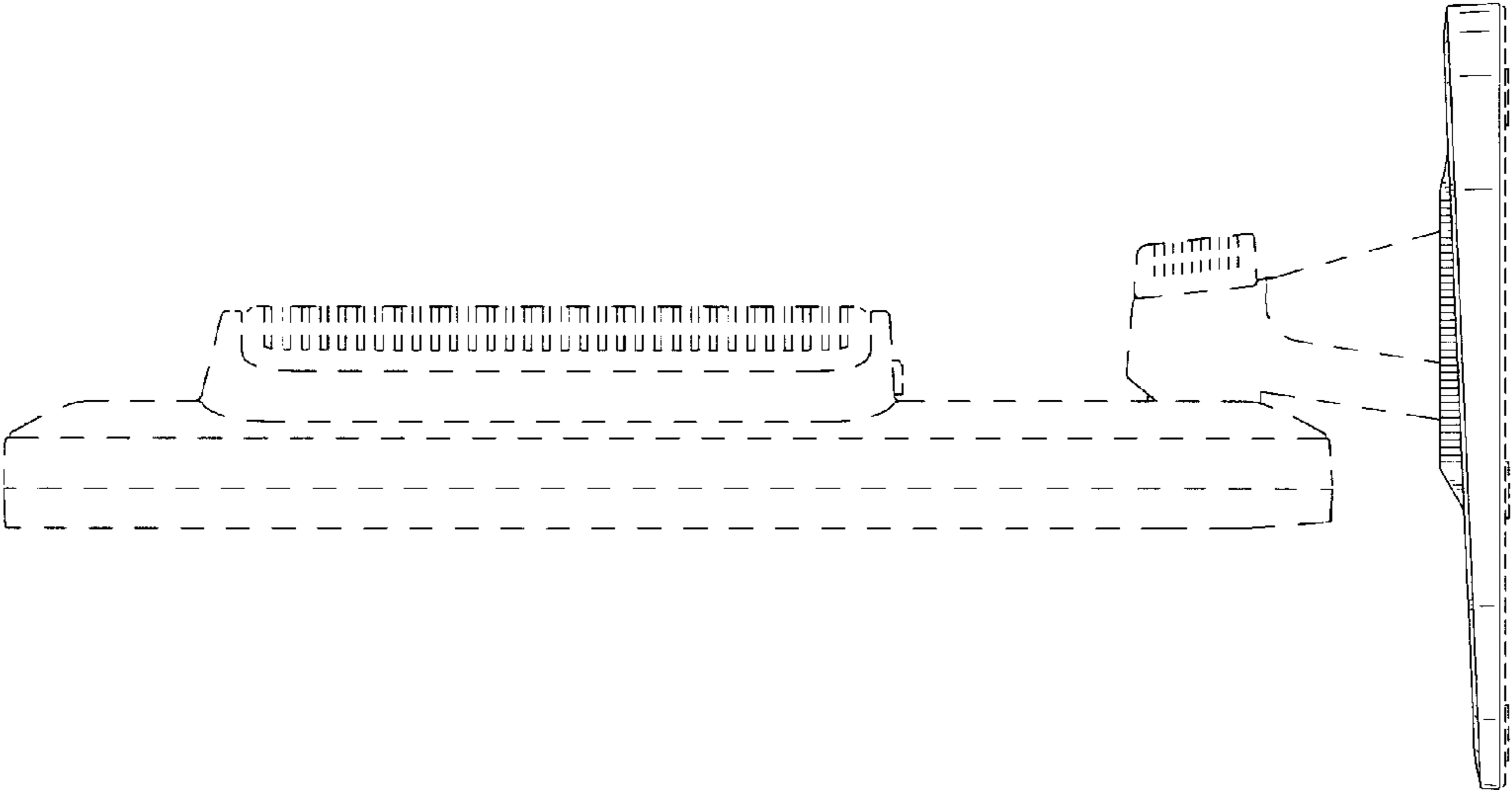


FIG. 5

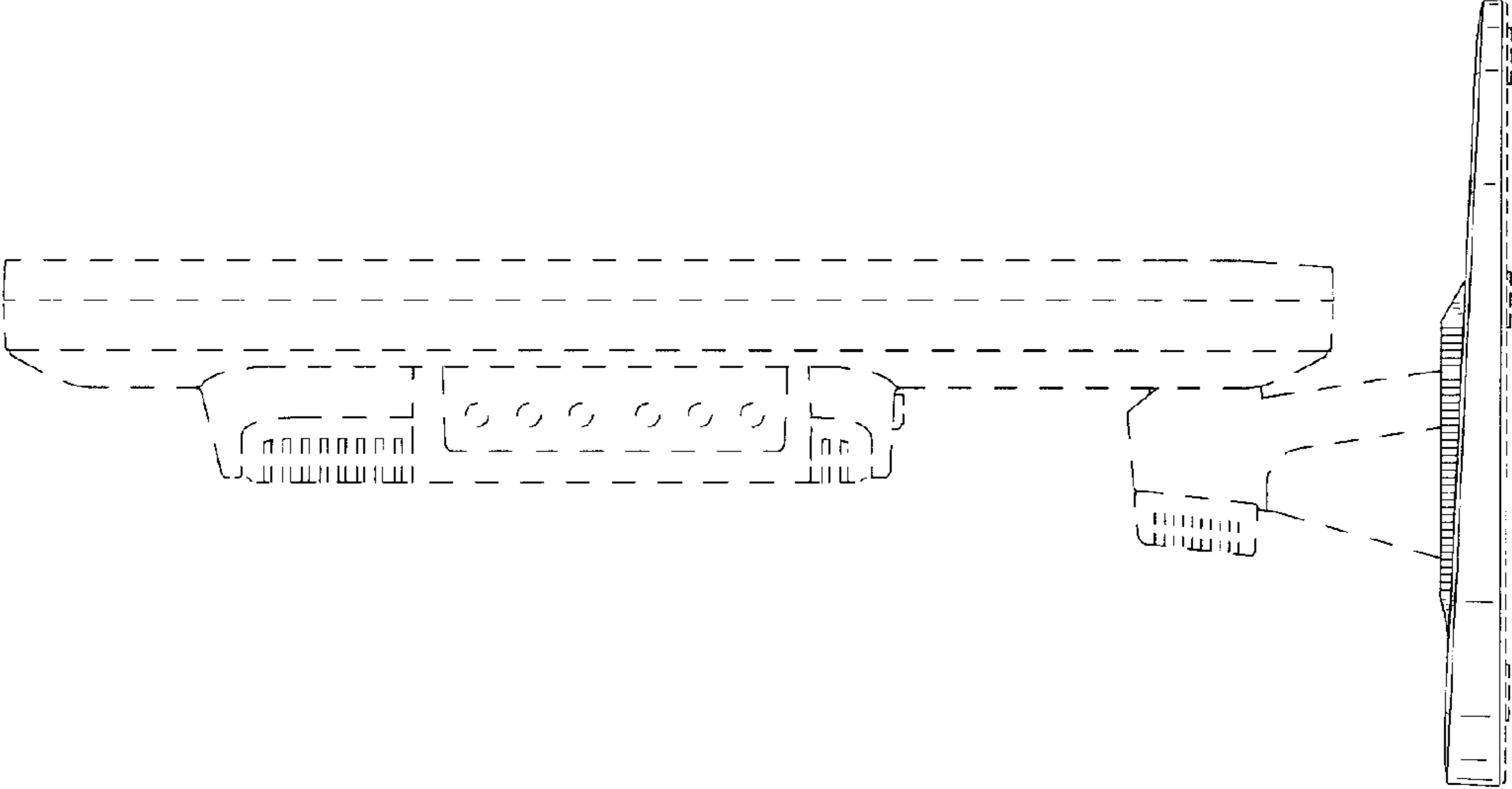


FIG. 4

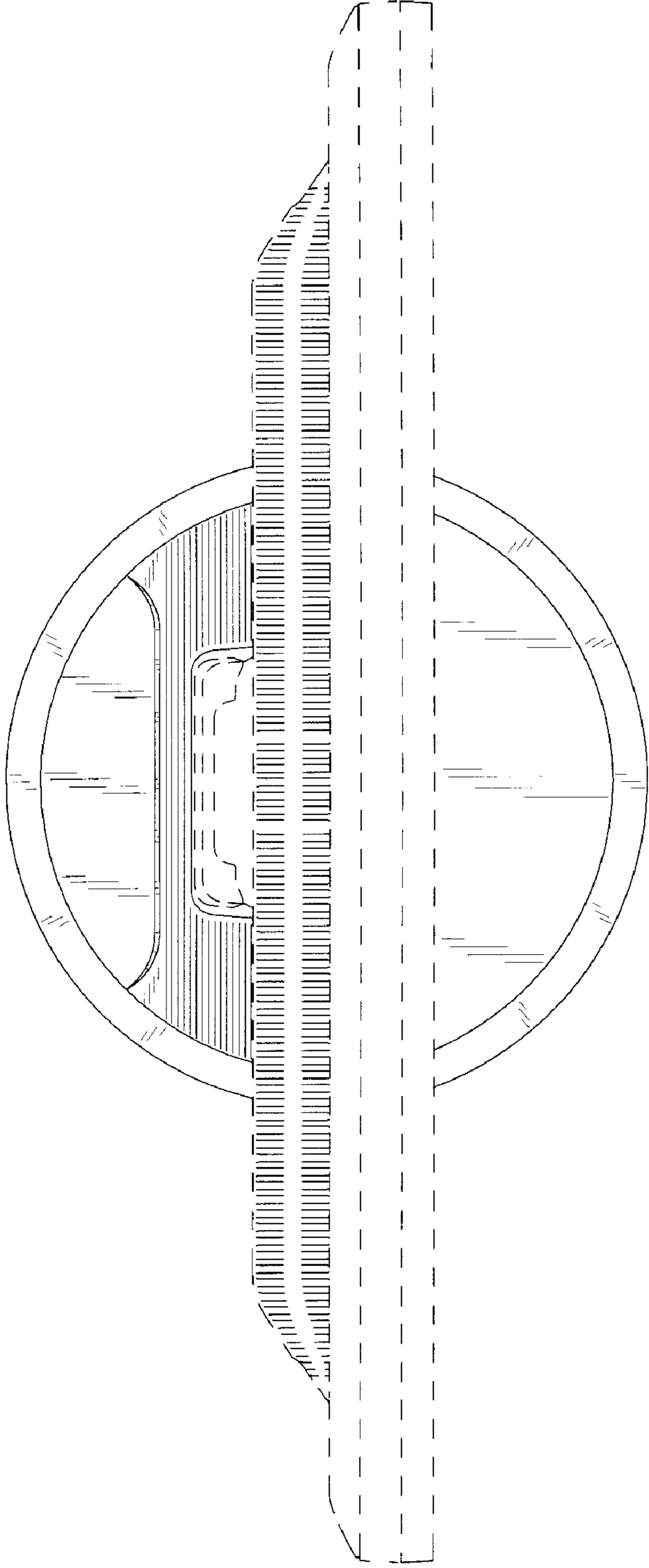


FIG. 6