



US00D600244S

(12) **United States Design Patent**
Chiu

(10) **Patent No.:** **US D600,244 S**

(45) **Date of Patent:** **** Sep. 15, 2009**

(54) **DISPLAY**

(75) Inventor: **Yi-Chung Chiu**, Taoyuan County (TW)

(73) Assignee: **Hannspree, Inc.**, Taipei (TW)

(**) Term: **14 Years**

(21) Appl. No.: **29/330,931**

(22) Filed: **Jan. 16, 2009**

(51) **LOC (9) Cl.** **14-02**

(52) **U.S. Cl.** **D14/371**; D14/126

(58) **Field of Classification Search** D14/371-375,
D14/336, 337, 341, 320, 331, 125-129; 341/12,
341/22; 345/104, 156, 168, 173, 901-905;
348/180, 184, 325, 837; 349/1, 2, 11, 62;
361/679.08, 679.23; D10/2; D20/10; D40/729
See application file for complete search history.

(56) **References Cited**

U.S. PATENT DOCUMENTS

D313,431 S * 1/1991 Jaskiel et al. D20/10
D422,979 S * 4/2000 Lee D14/375
D427,169 S * 6/2000 Saeki et al. D14/126
D504,688 S * 5/2005 Lin et al. D14/375

D528,518 S * 9/2006 Kim D14/126
D543,961 S * 6/2007 Chu D14/126
D545,691 S * 7/2007 Bhavnani D10/2
D547,739 S * 7/2007 Lewis D14/126
D573,960 S * 7/2008 Lee D14/126
2007/0289187 A1 * 12/2007 Vincent 40/729

* cited by examiner

Primary Examiner—Freda S Nunn

(74) *Attorney, Agent, or Firm*—Ming Chow; Sinorica, LLC

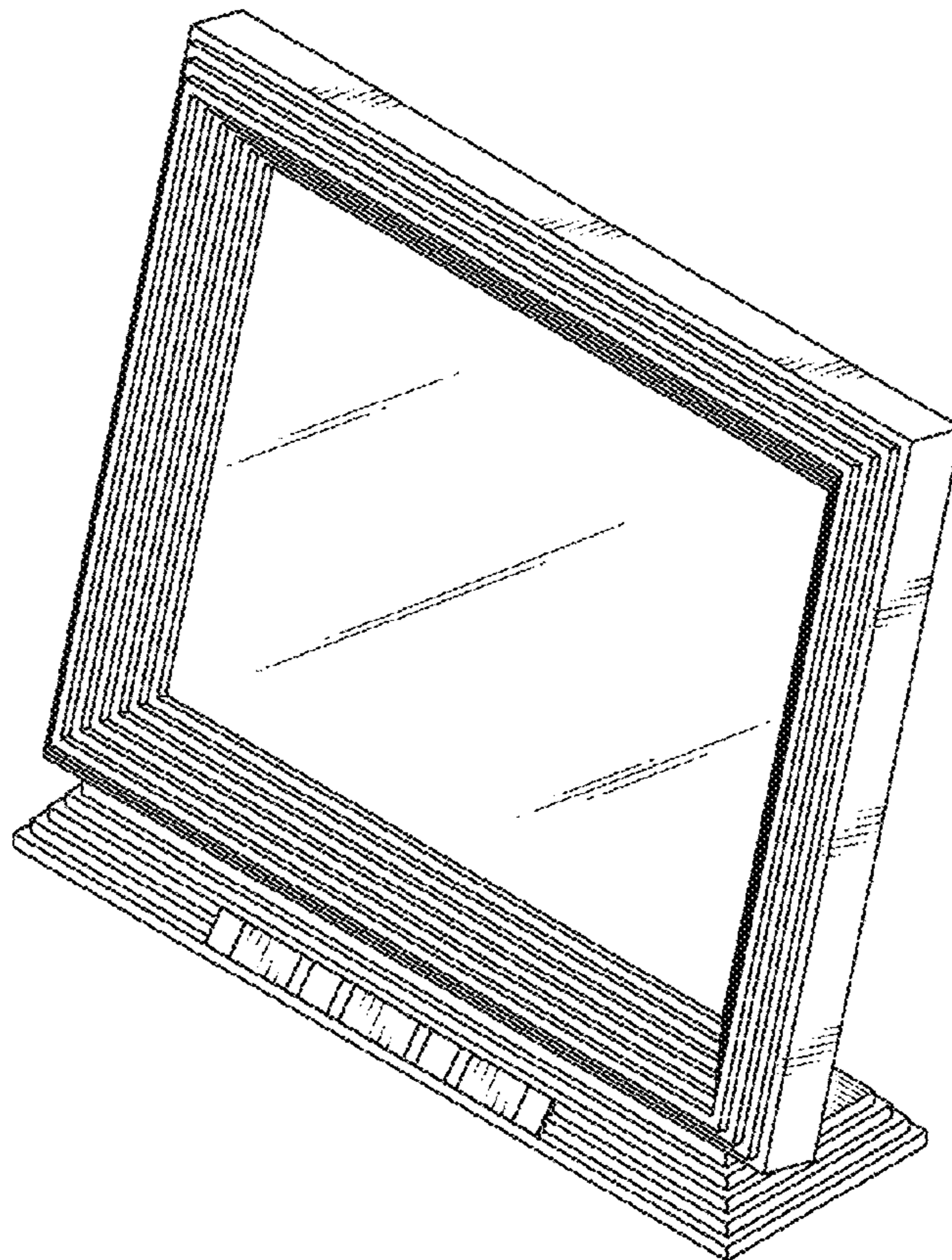
(57) **CLAIM**

The ornamental design for a display, as shown and described.

DESCRIPTION

FIG. 1. is a perspective view thereof;
FIG. 2. is a front elevational view thereof;
FIG. 3. is a rear elevational view thereof;
FIG. 4. is a left side elevational view thereof;
FIG. 5. is a right side elevational view thereof;
FIG. 6. is a top plan view thereof; and,
FIG. 7. is a bottom plan view thereof.

1 Claim, 7 Drawing Sheets



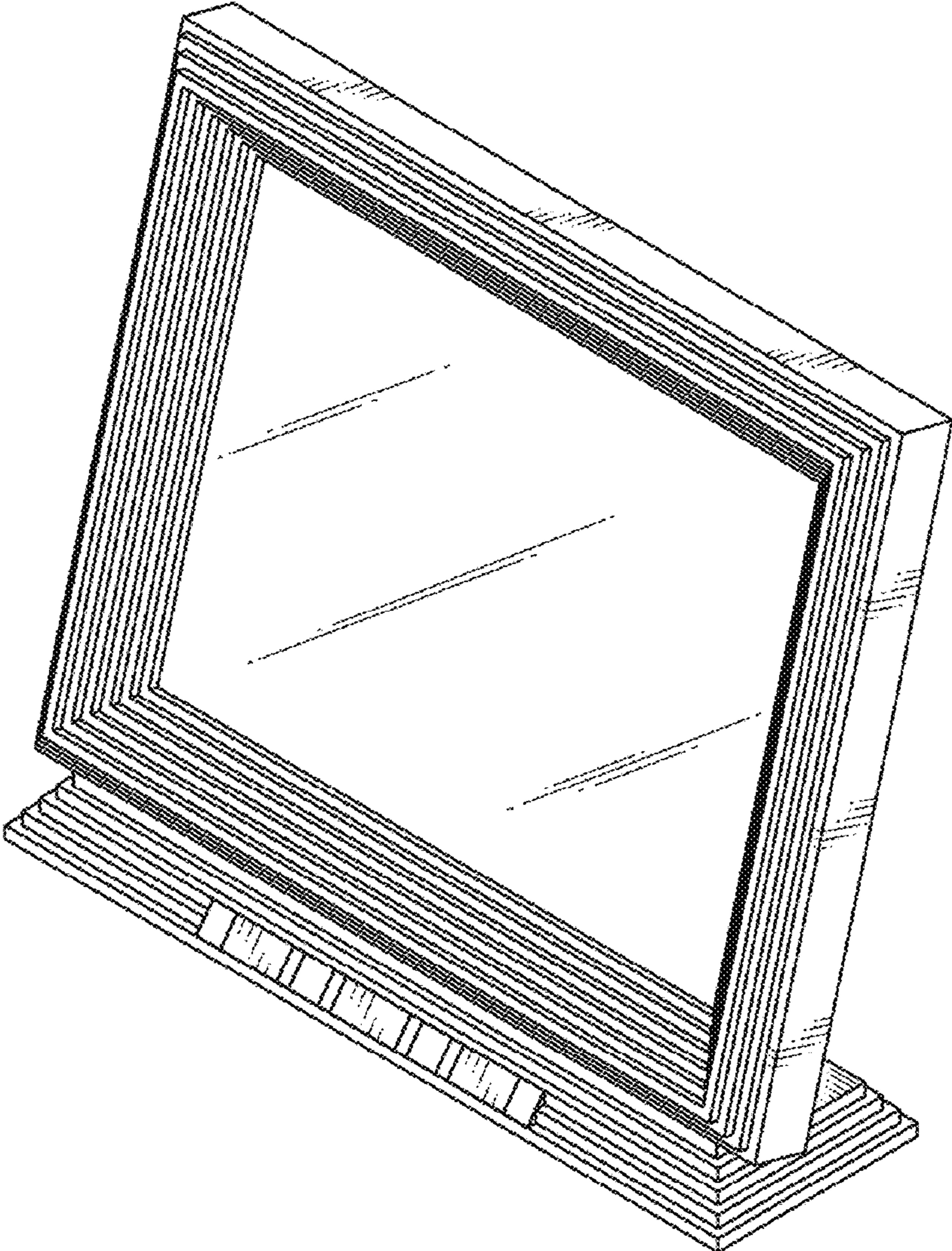


FIG 1

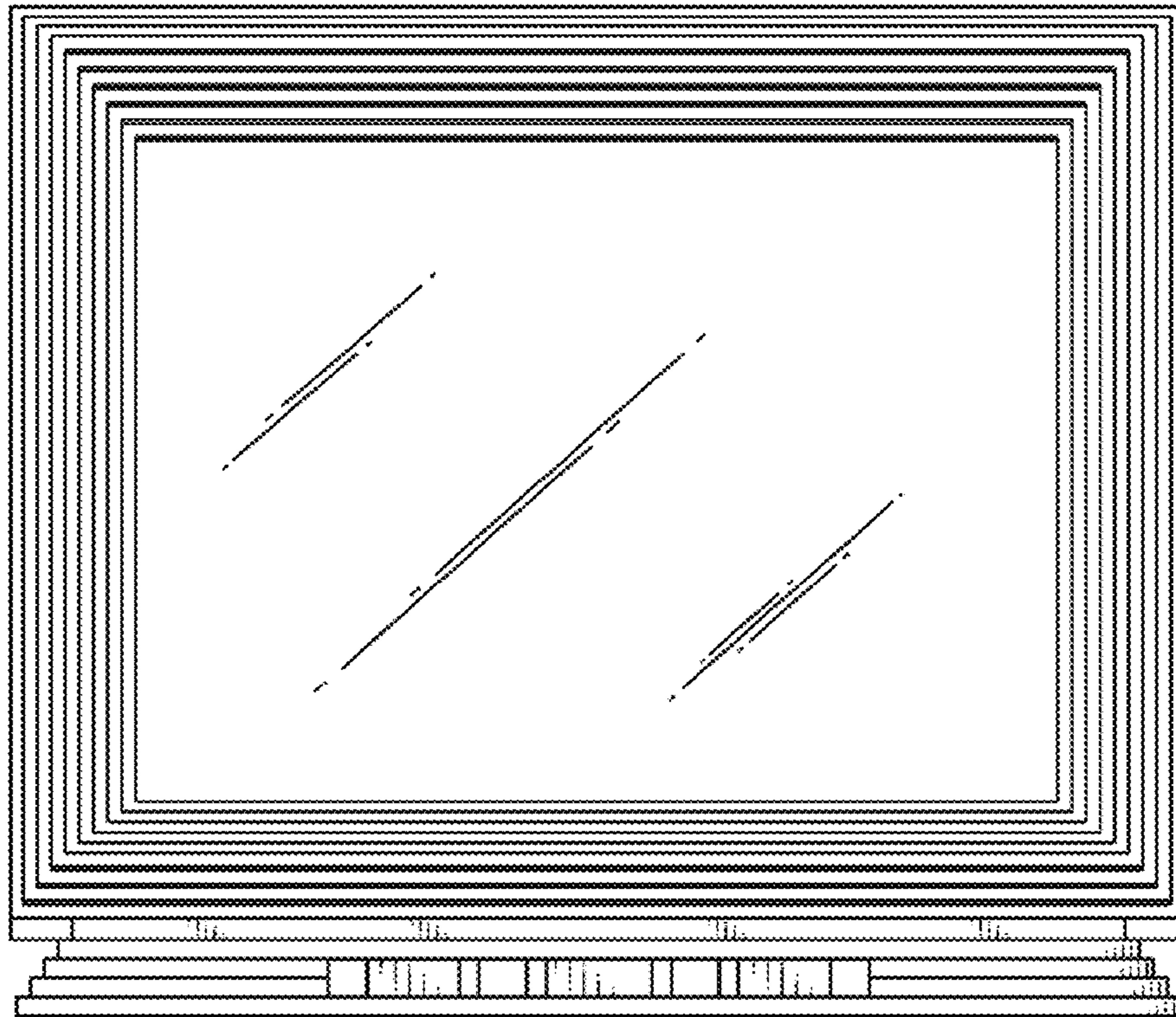


FIG 2

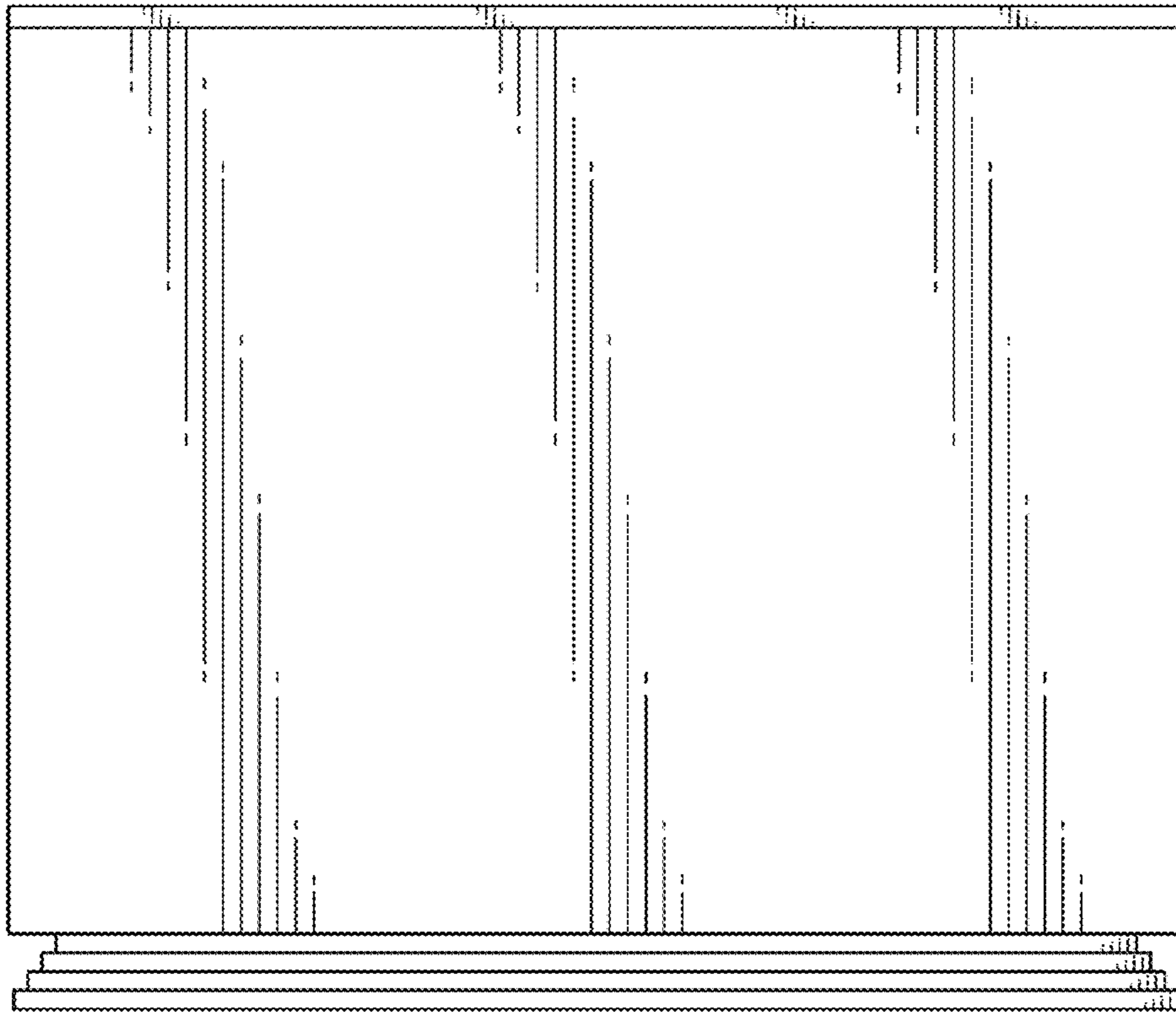


FIG 3

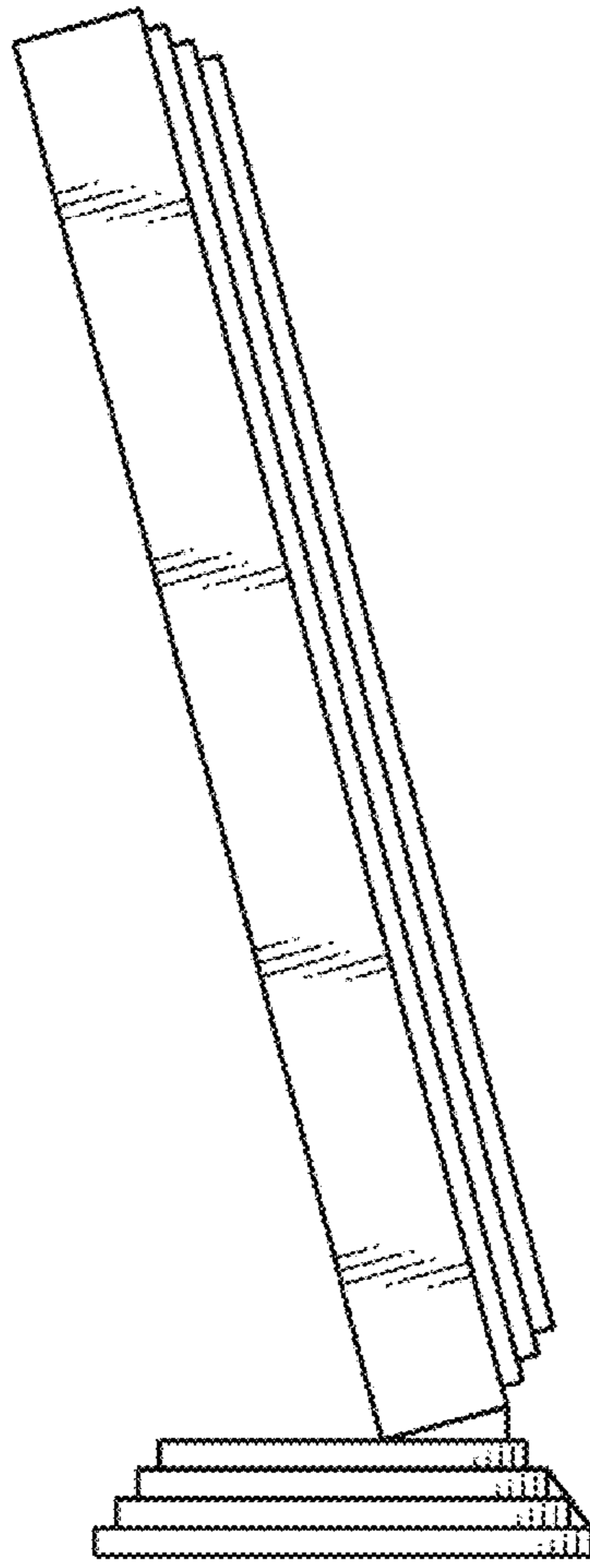


FIG. 4

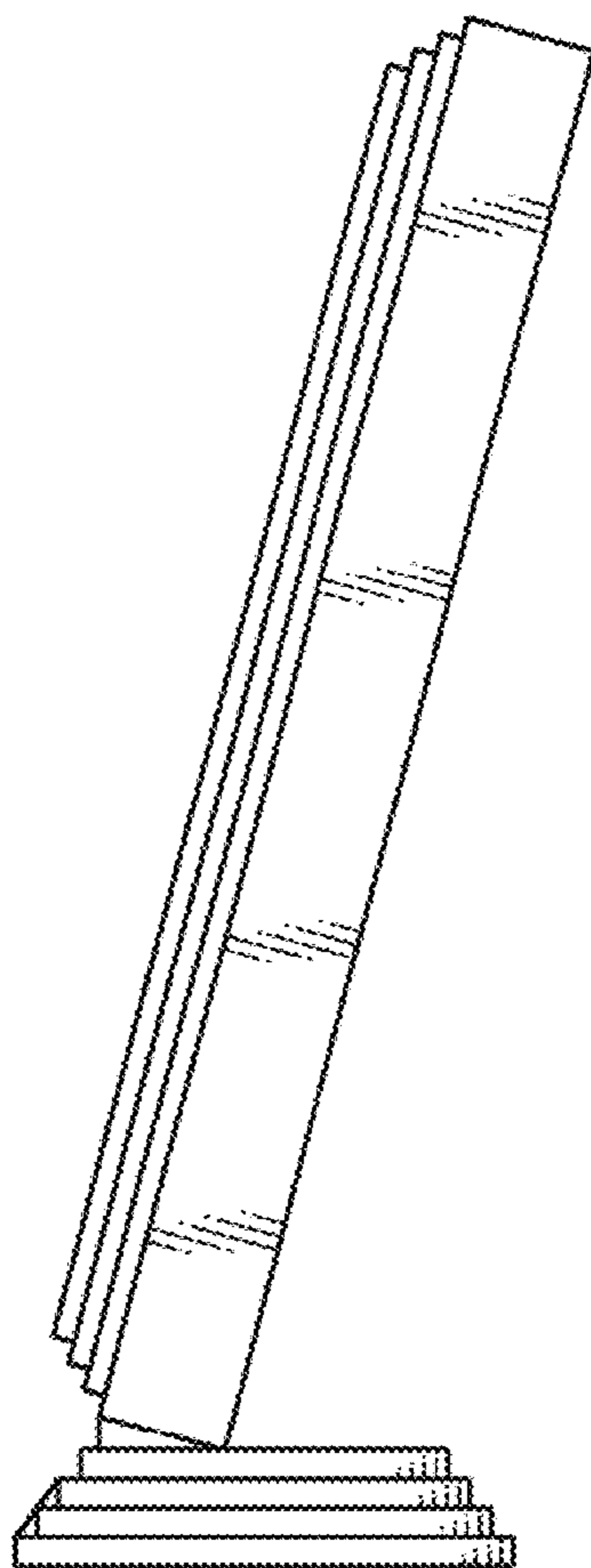


FIG. 5

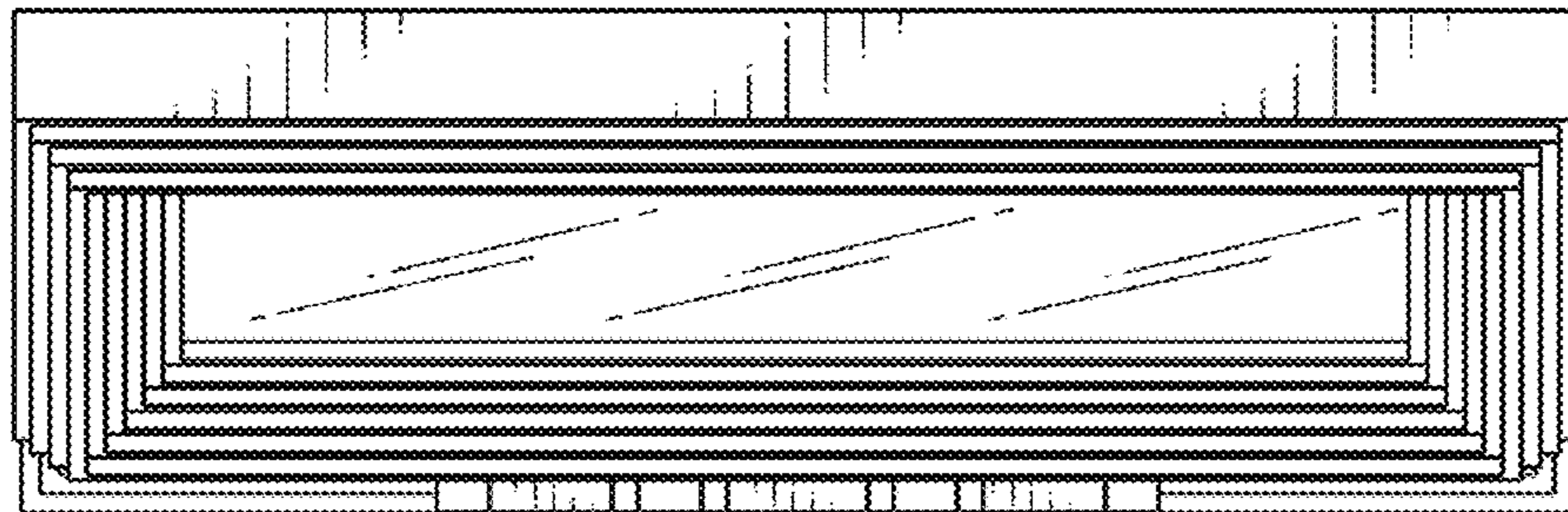


FIG. 6

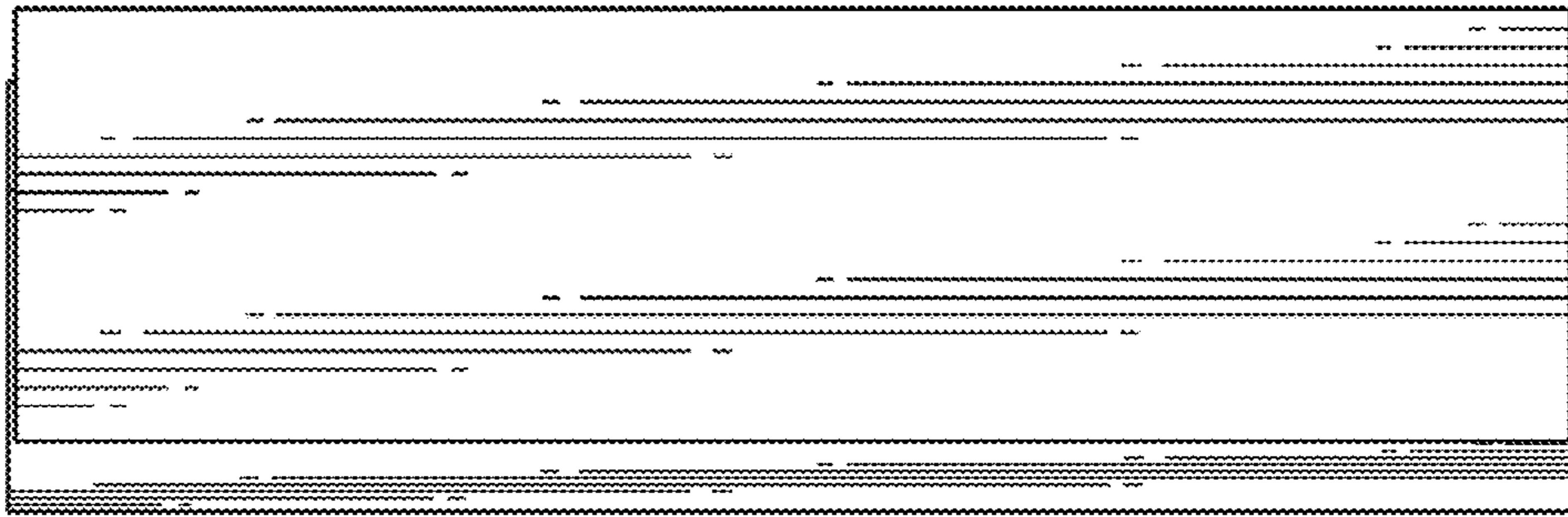


FIG. 7