



US00D600242S

(12) **United States Design Patent**  
**Yeh et al.**

(10) **Patent No.:** **US D600,242 S**

(45) **Date of Patent:** **\*\* Sep. 15, 2009**

(54) **AUDIO/VIDEO COMMUNICATIONS DEVICE**

(75) Inventors: **Jason Yeh**, Bethesda, MD (US); **Larwan Berke**, Rockville, MD (US)

(73) Assignee: **Viable Communications, Inc.**, Rockville, MD (US)

(\*\*) Term: **14 Years**

(21) Appl. No.: **29/320,904**

(22) Filed: **Jul. 8, 2008**

(51) **LOC (9) Cl.** ..... **14-02**

(52) **U.S. Cl.** ..... **D14/341**

(58) **Field of Classification Search** ..... D14/496,  
D14/401, 435, 474, 483, 217, 137, 138, 160,  
D14/168, 203.1–203.8, 341–347, 138 R,  
D14/138 C, 138 G, 454, 439, 455, 456, 192,  
D14/239, 247, 315, 327, 331, 336, 338, 339,  
D14/374, 393, 394, 399, 400, 429, 432, 125,  
D14/126, 129, 130, 314; D21/324, 329,  
D21/330, 331, 333; D18/7; D10/32, 65;  
455/556.1, 556.2, 11.1, 773, 344–347, 93,  
455/95; 379/433.01, 433.07, 433.1, 433.11,  
379/433.12, 433.13, 52; 345/169, 156, 173–179,  
345/905; 348/14.02, 790; 341/22; 361/680;  
273/148 B; 368/281; 715/727–729, 864;  
370/342–344; 369/1, 2, 6, 12; 463/43–47  
See application file for complete search history.

(56) **References Cited**

**U.S. PATENT DOCUMENTS**

D270,061 S \* 8/1983 Ackeret ..... D6/308  
D478,051 S \* 8/2003 Sagawa ..... D13/168

D481,717 S \* 11/2003 Lewis et al. .... D14/331  
D485,265 S \* 1/2004 Sato et al. .... D14/341  
D505,676 S \* 5/2005 Porter et al. .... D14/388  
D518,007 S \* 3/2006 Peng ..... D14/129  
D521,992 S \* 5/2006 Morooka et al. .... D14/316  
D530,715 S \* 10/2006 Wu ..... D14/371  
D532,791 S \* 11/2006 Kim ..... D14/203.7  
D540,761 S \* 4/2007 Macey et al. .... D14/126  
D582,875 S \* 12/2008 Haspil et al. .... D14/138 G  
2008/0069323 A1 \* 3/2008 Walter et al. .... 379/111

\* cited by examiner

*Primary Examiner*—Cathron C Brooks

*Assistant Examiner*—Barbara Fox

(74) *Attorney, Agent, or Firm*—James E. Larson

(57) **CLAIM**

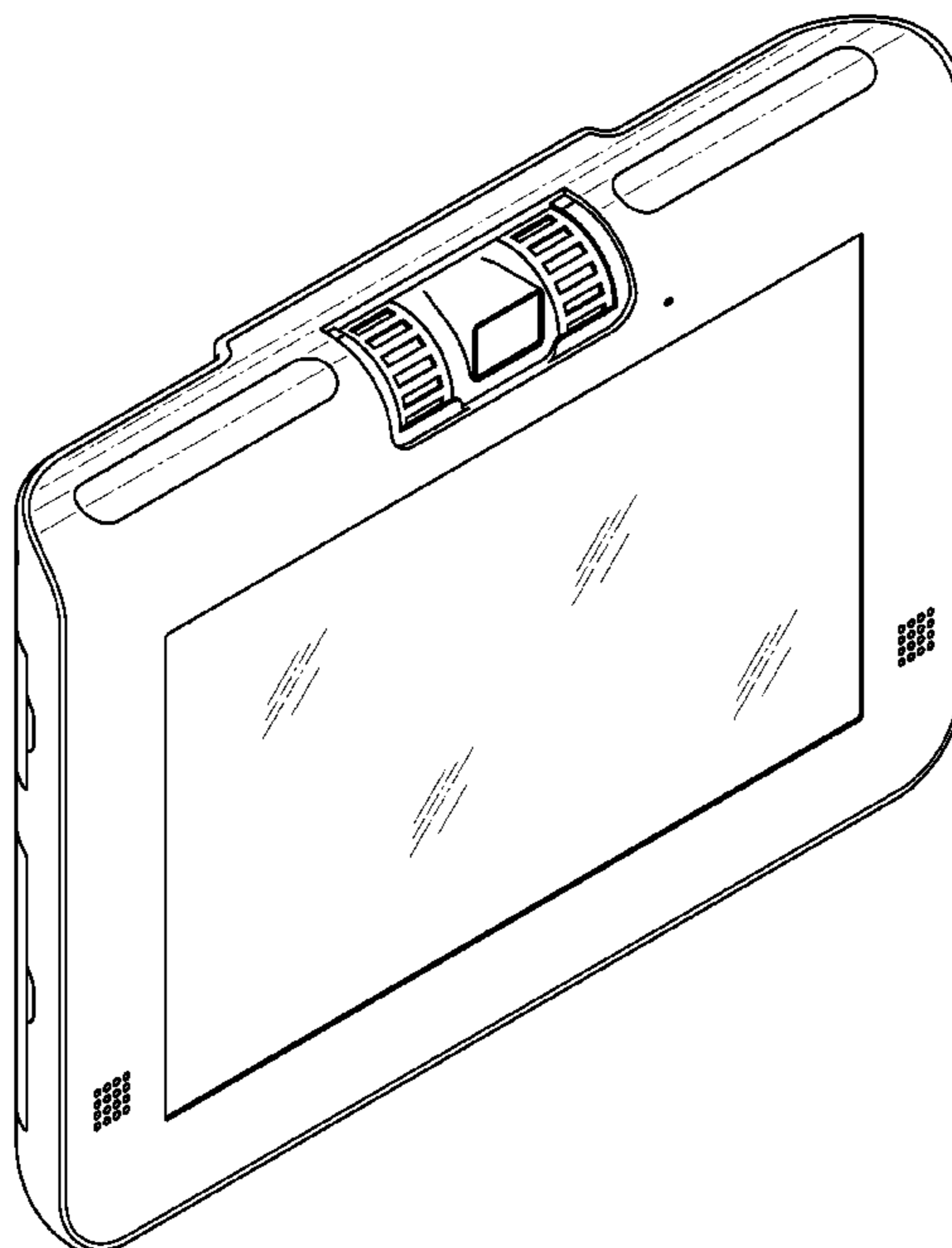
We claim the ornamental design for an audio/video communications device, as shown and described.

**DESCRIPTION**

FIG. 1 is a perspective view of the audio/video communications device showing my novel design;  
FIG. 2 is a front elevation view thereof;  
FIG. 3 is a rear elevation view thereof;  
FIG. 4 is a left side view thereof;  
FIG. 5 is a right side view thereof;  
FIG. 6 is a top plan view thereof;  
FIG. 7 is a bottom plan view thereof; and,  
FIG. 8 is a rear perspective view thereof.

The light, broken lines in the drawing represents contours, and are part of the claimed design.

**1 Claim, 6 Drawing Sheets**



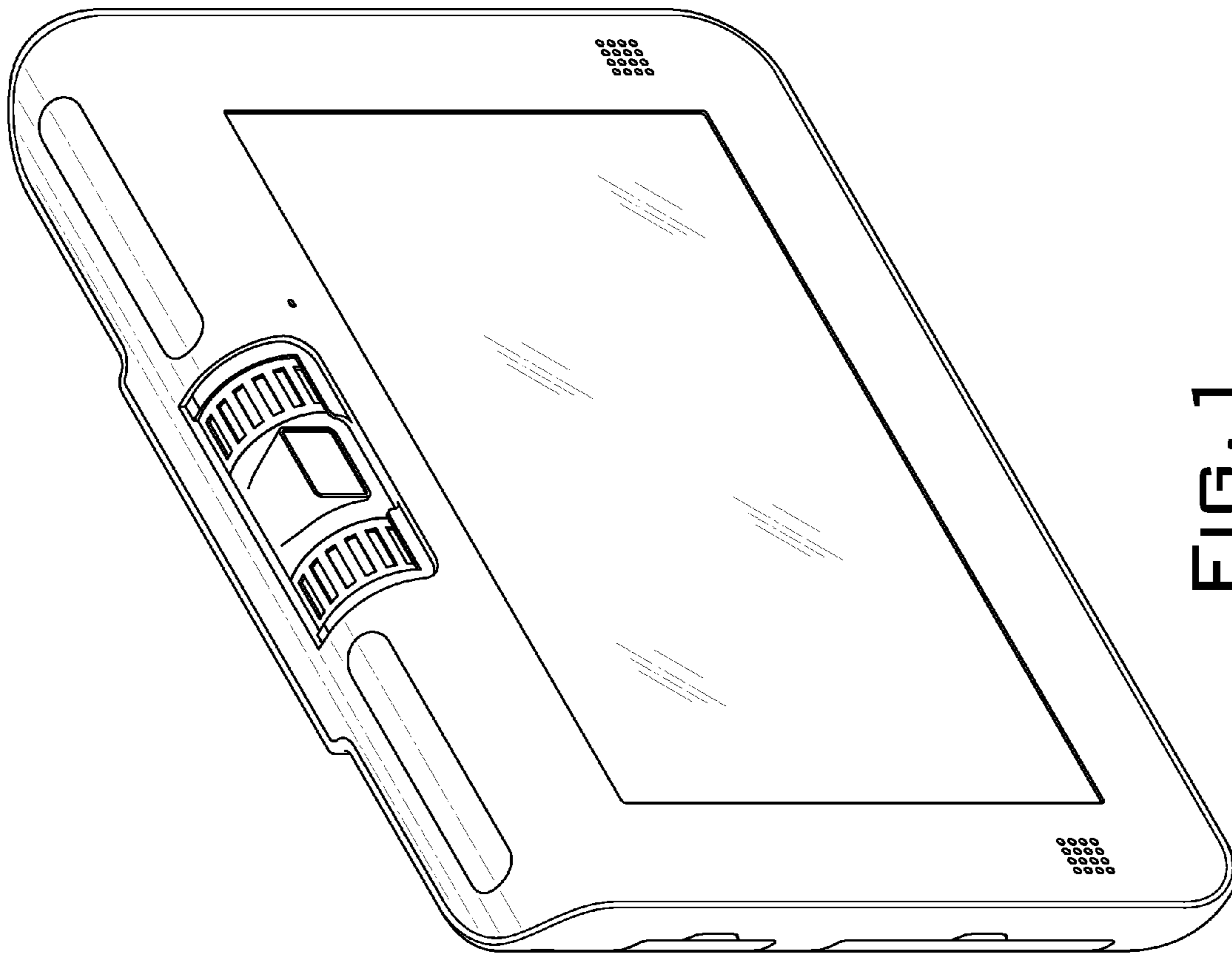


FIG. 1

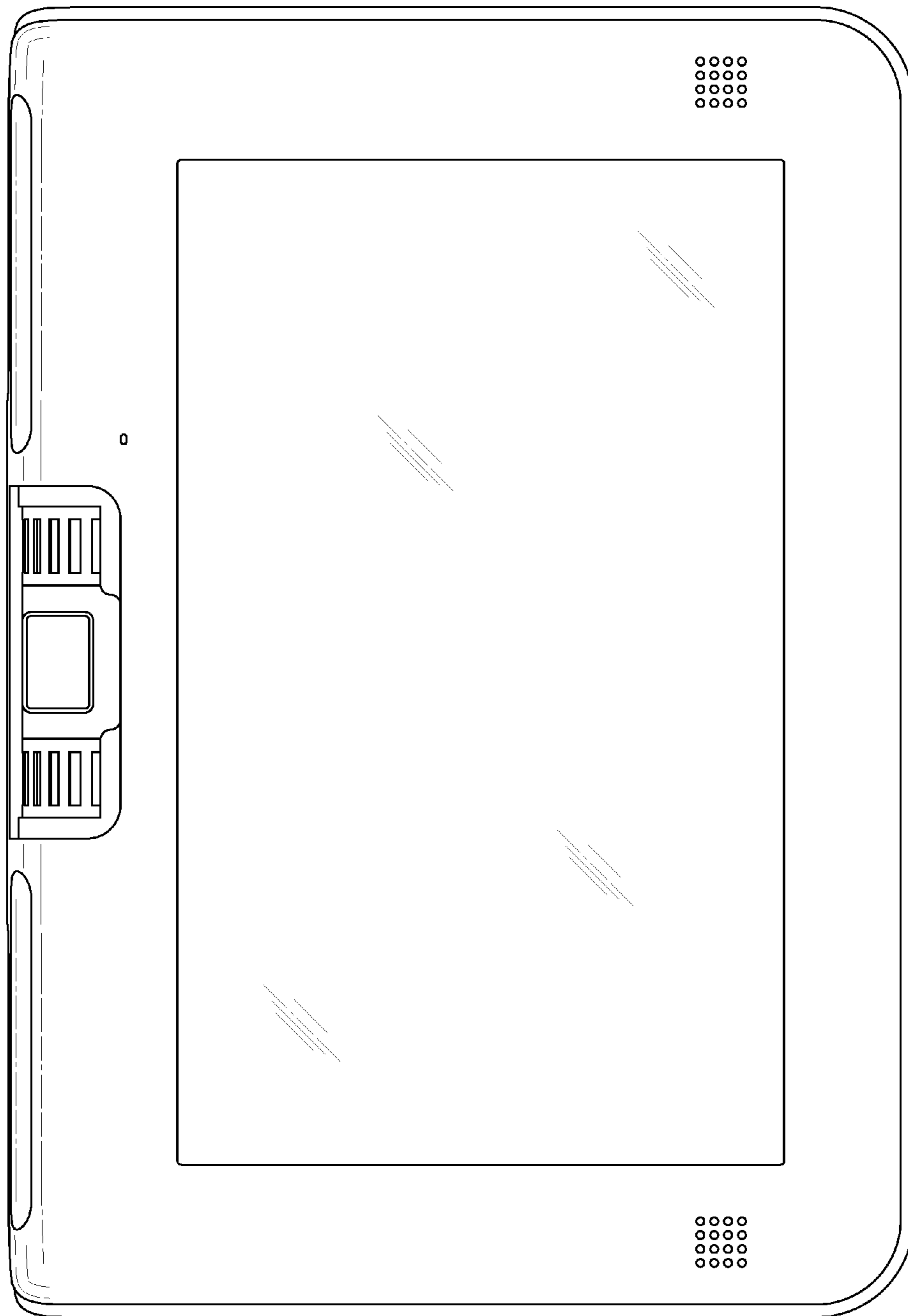


FIG. 2

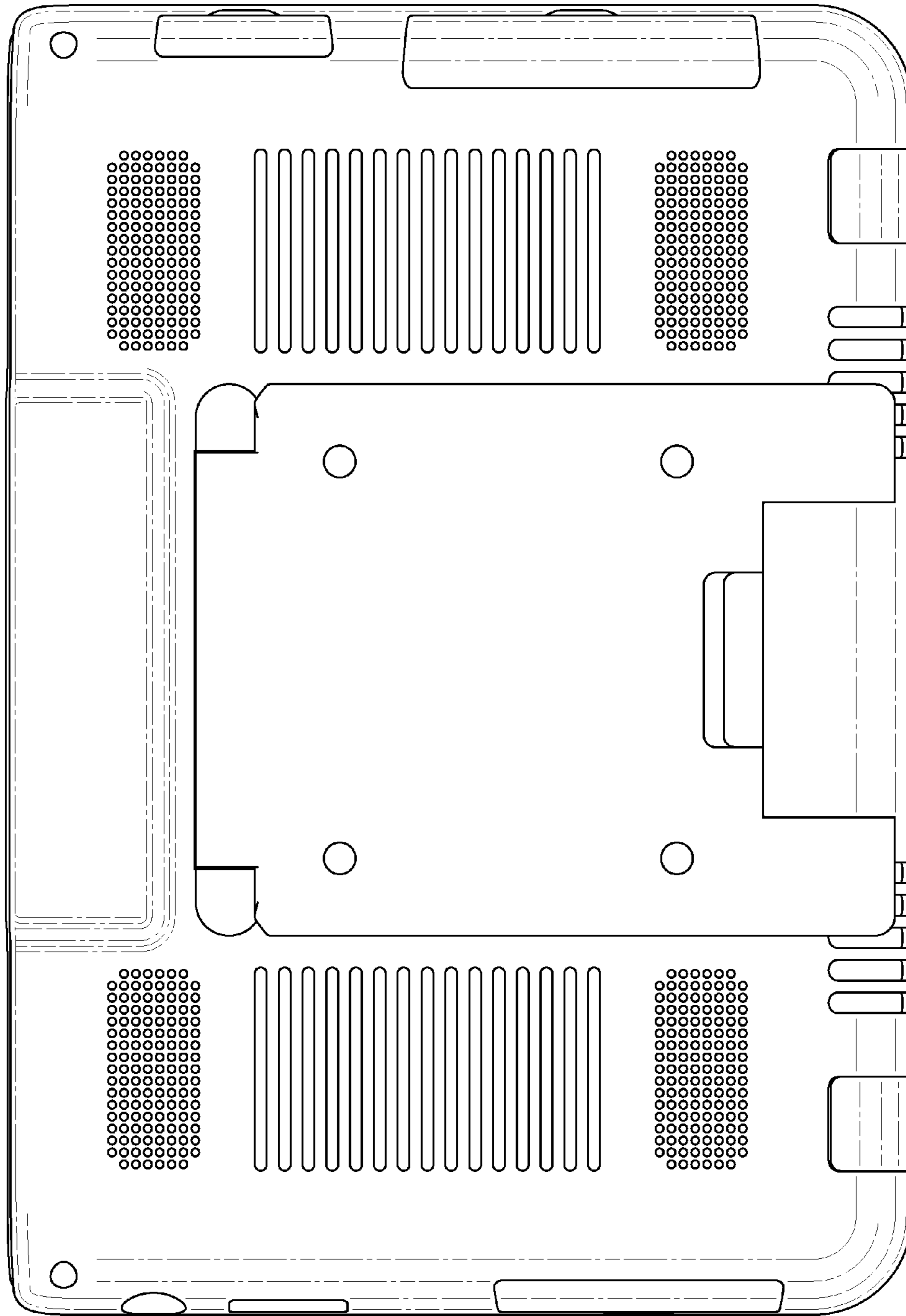


FIG. 3

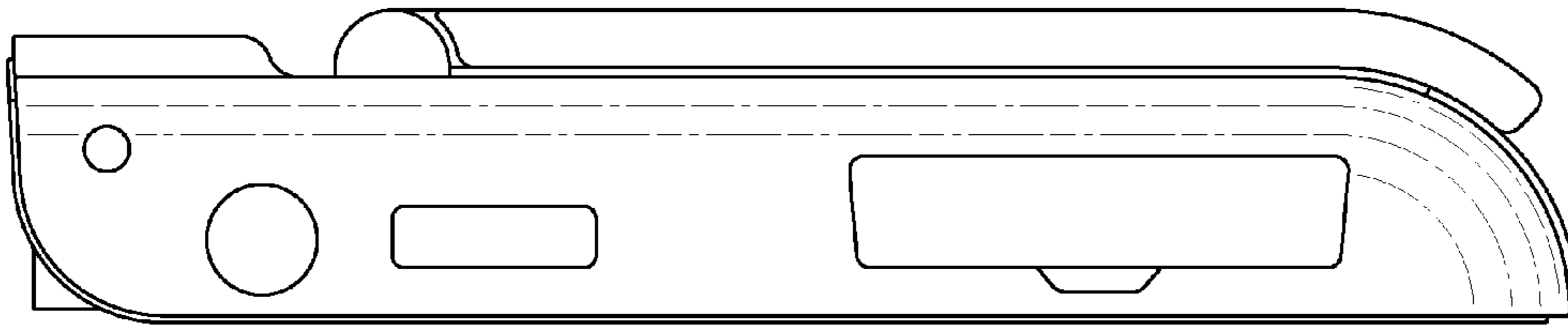


FIG. 5

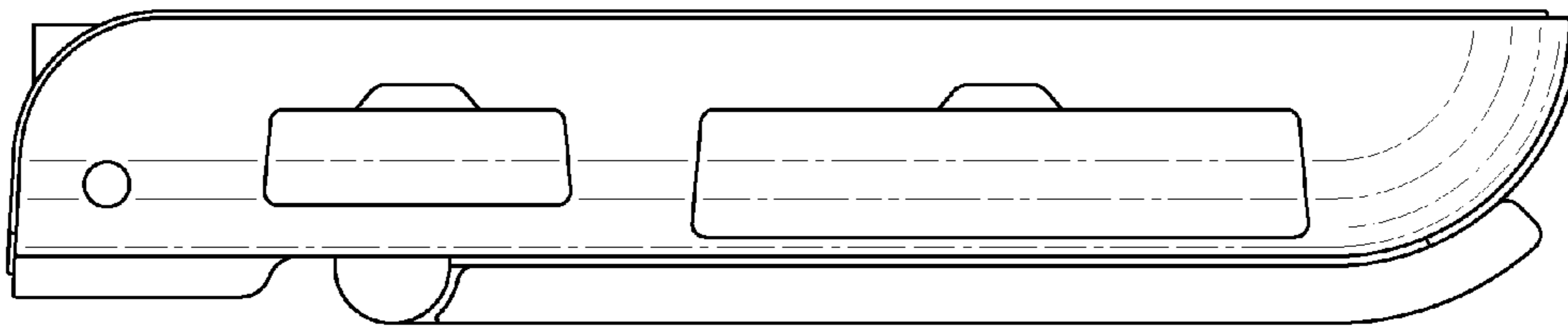


FIG. 4

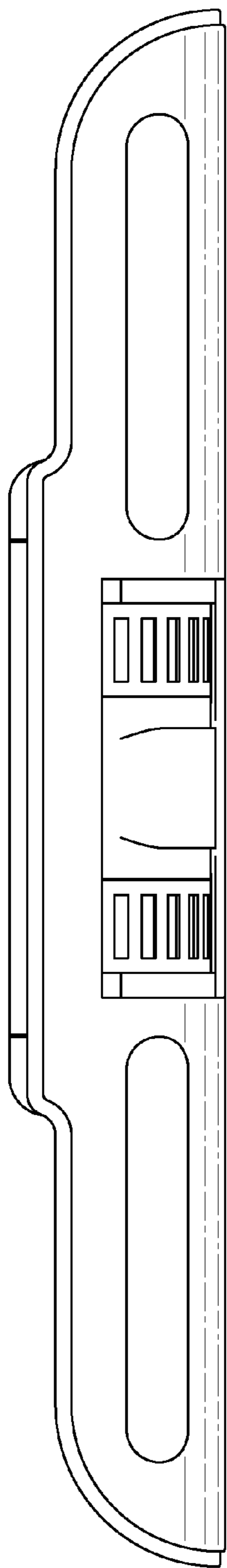


FIG. 6

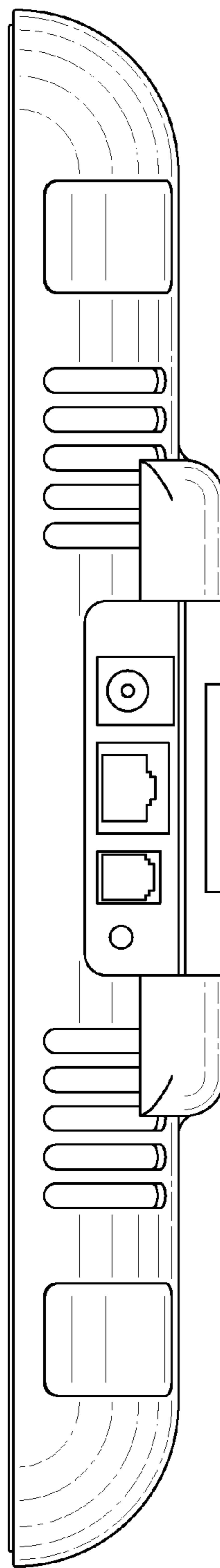


FIG. 7

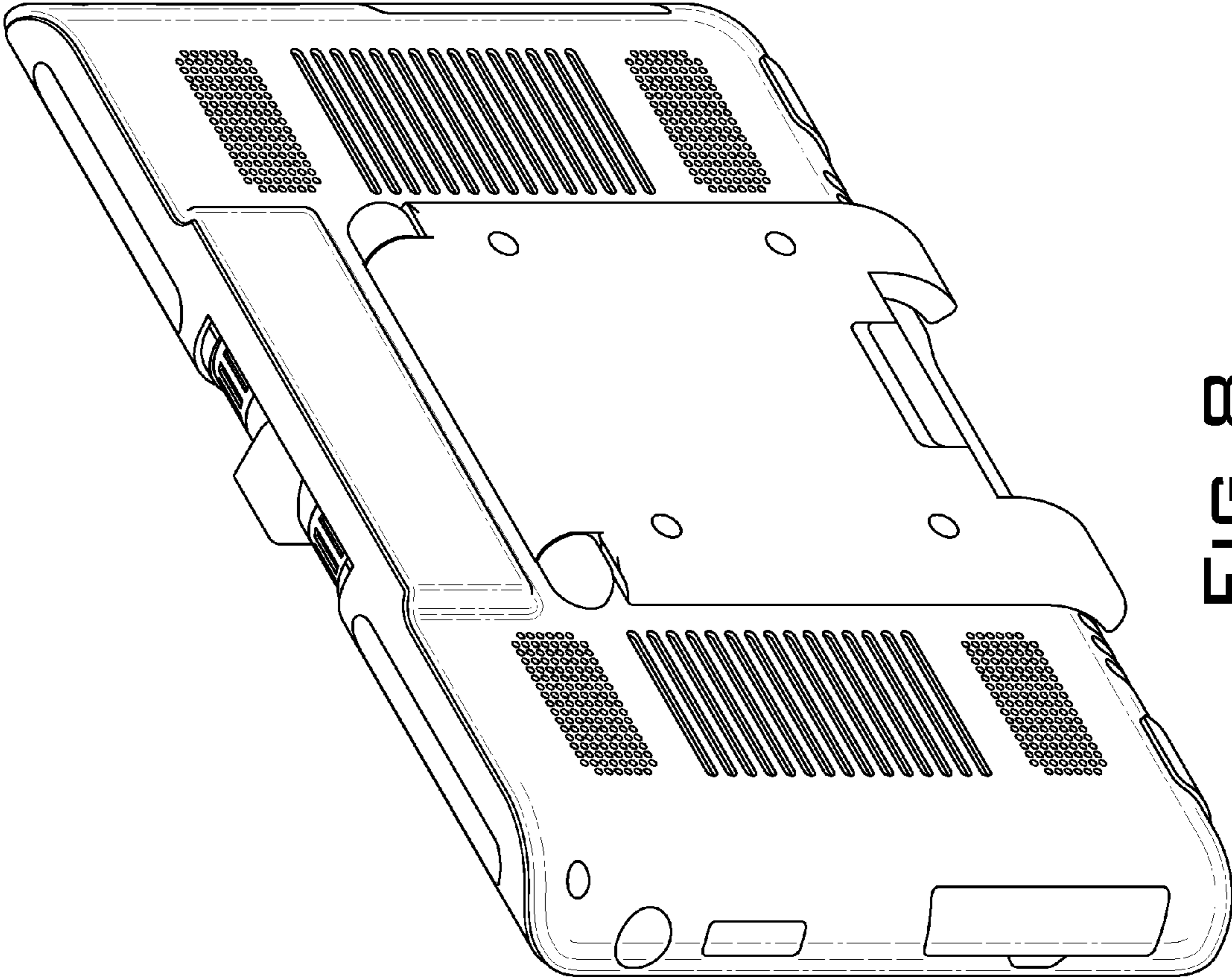


FIG. 8