



US00D600239S

(12) **United States Design Patent**
Niitsu et al.

(10) **Patent No.:** **US D600,239 S**
(45) **Date of Patent:** **** Sep. 15, 2009**

(54) **COMPUTER**

(75) Inventors: **Takuya Niitsu**, Tokyo (JP); **Yasuaki Isonaga**, Tokyo (JP)

(73) Assignee: **Sony Corporation**, Tokyo (JP)

(**) Term: **14 Years**

(21) Appl. No.: **29/287,968**

(22) Filed: **Oct. 5, 2007**

(30) **Foreign Application Priority Data**

Apr. 6, 2007 (JP) 2007-009319

(51) **LOC (9) Cl.** **14-02**

(52) **U.S. Cl.** **D14/300**; D14/371; D14/336

(58) **Field of Classification Search** D14/328,
D14/331, 336, 343, 371-376, 125-129; 248/917-924,
248/146; 341/12; 345/1.1, 104, 156, 157,
345/168, 173; 348/180, 184, 352, 739; 349/1,
349/2, 11, 62; 361/680-686

See application file for complete search history.

(56) **References Cited**

U.S. PATENT DOCUMENTS

D378,083 S *	2/1997	Ando	D14/336
D424,538 S *	5/2000	Hayashi et al.	D14/374
D432,101 S	10/2000	Oba		
D458,238 S *	6/2002	Niitsu	D14/126
D460,056 S *	7/2002	Niitsu	D14/126
D465,492 S *	11/2002	Scribner	D14/375
D495,706 S *	9/2004	Lin et al.	D14/374
D496,361 S *	9/2004	Hotta	D14/374
D502,179 S *	2/2005	Cha et al.	D14/375
D508,914 S *	8/2005	Ishii	D14/337
D509,827 S *	9/2005	Johnson	D14/374
D510,351 S *	10/2005	Choi	D14/371
D517,029 S	3/2006	Kawasaki		
D519,117 S *	4/2006	Lewis	D14/374

D533,519 S *	12/2006	Ellison	D14/126
D543,164 S *	5/2007	Yang et al.	D14/126
D549,673 S	8/2007	Niitsu		
2004/0113031 A1 *	6/2004	Sung	248/146

FOREIGN PATENT DOCUMENTS

JP	D1284670 S	10/2006
JP	D1297822 S	4/2007
JP	D1297823 S	4/2007
JP	D1298288 S	4/2007
JP	D1298289 S	4/2007
JP	D1298290 S	4/2007
JP	D1298291 S	4/2007
JP	D1298292 S	4/2007
JP	D1306081 S	7/2007
JP	D1306082 S	7/2007

* cited by examiner

Primary Examiner—Freda S Nunn

(74) *Attorney, Agent, or Firm*—Rader, Fishman & Grauer, PLLC

(57) **CLAIM**

The ornamental design for a computer, as shown and described.

DESCRIPTION

FIG. 1 is a perspective view of a computer showing our new design;

FIG. 2 is a front elevational view thereof;

FIG. 3 is a rear elevational view thereof;

FIG. 4 is a left side elevational view thereof;

FIG. 5 is a right side elevational view thereof;

FIG. 6 is a top plan view thereof; and,

FIG. 7 is a bottom plan view thereof.

Broken lines shown in the drawings illustrate portions of the computer, and form no part of the claimed design.

1 Claim, 7 Drawing Sheets

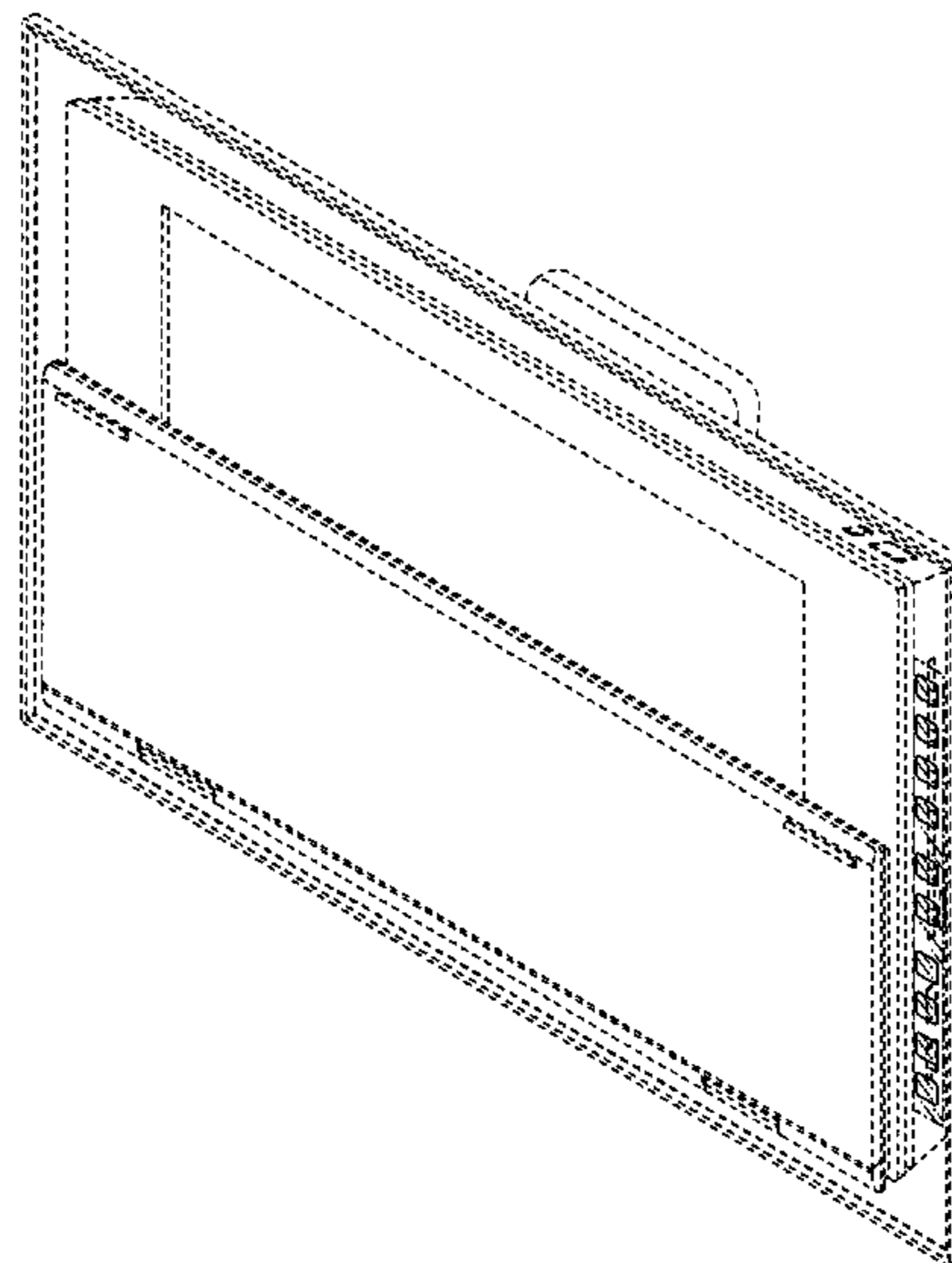


Fig. 1

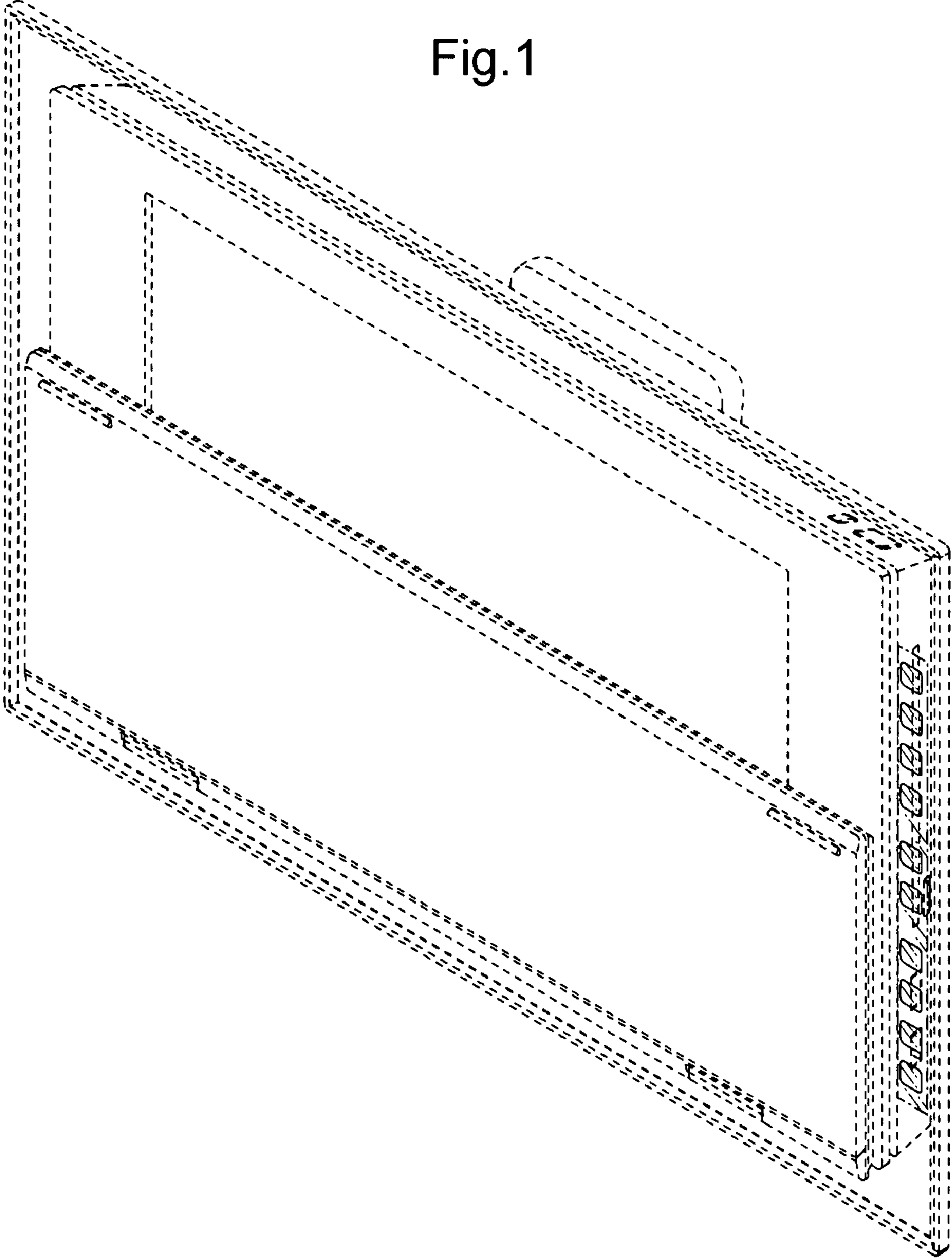


Fig.2

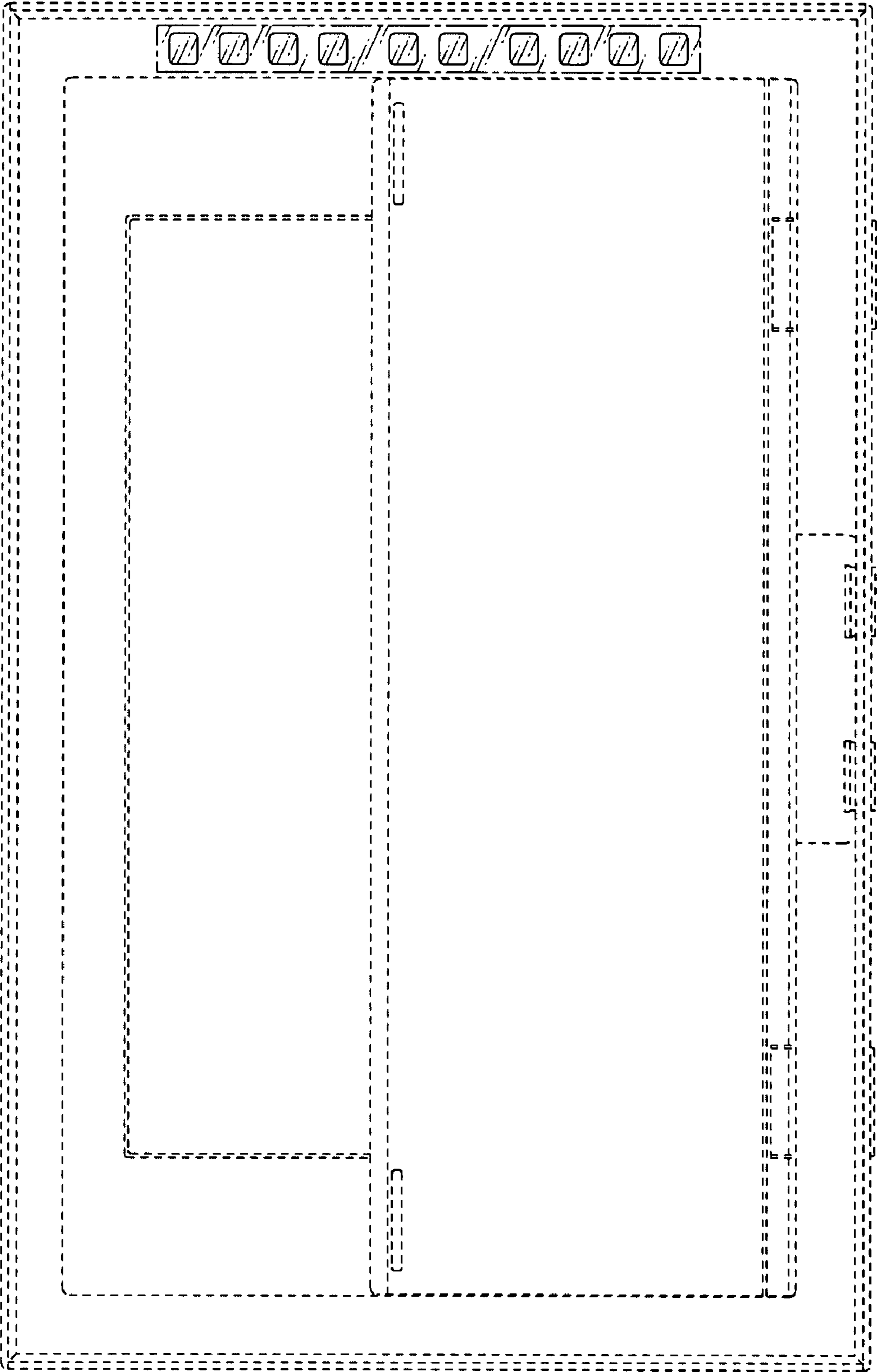


Fig.3

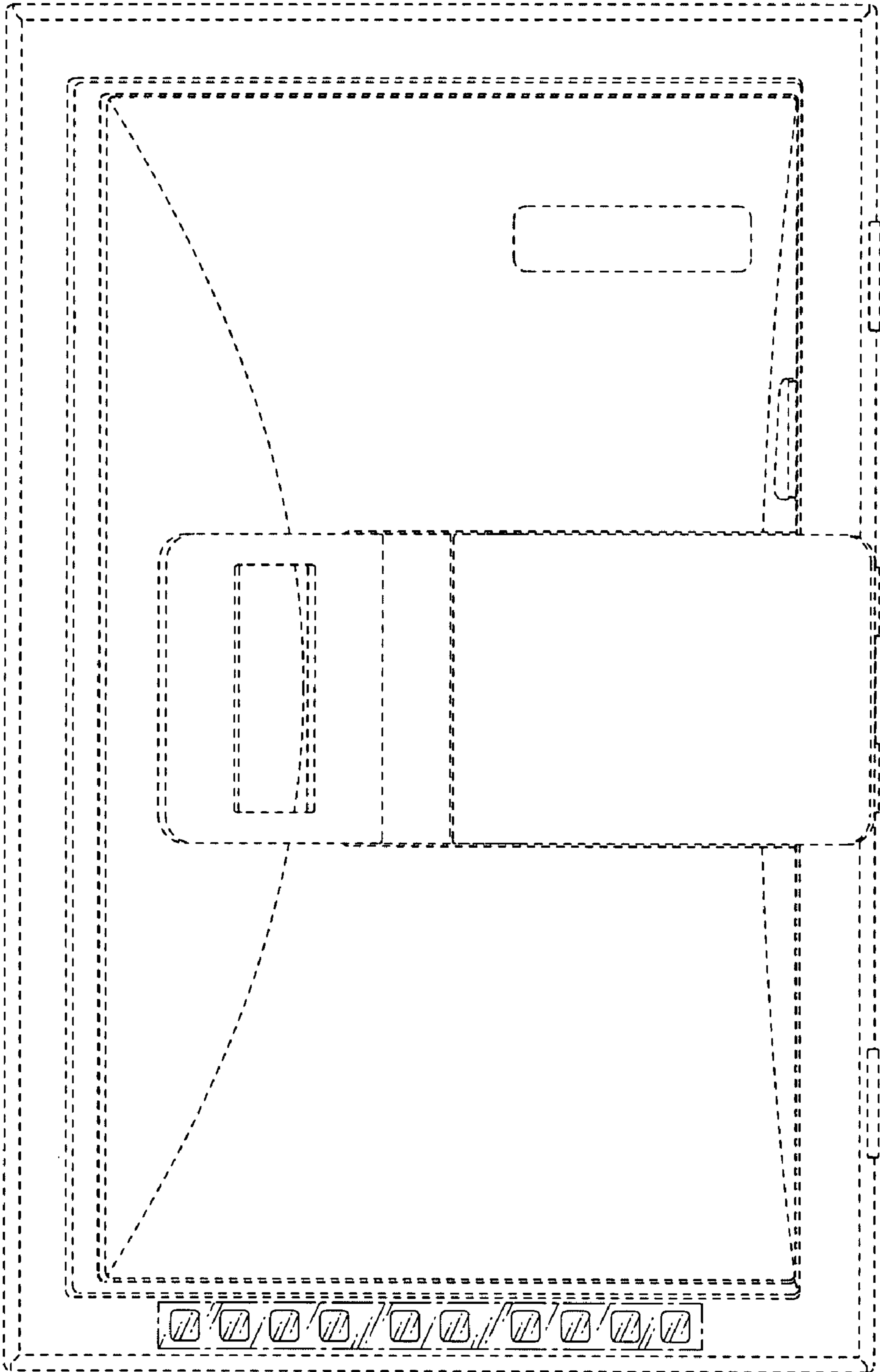


Fig.4

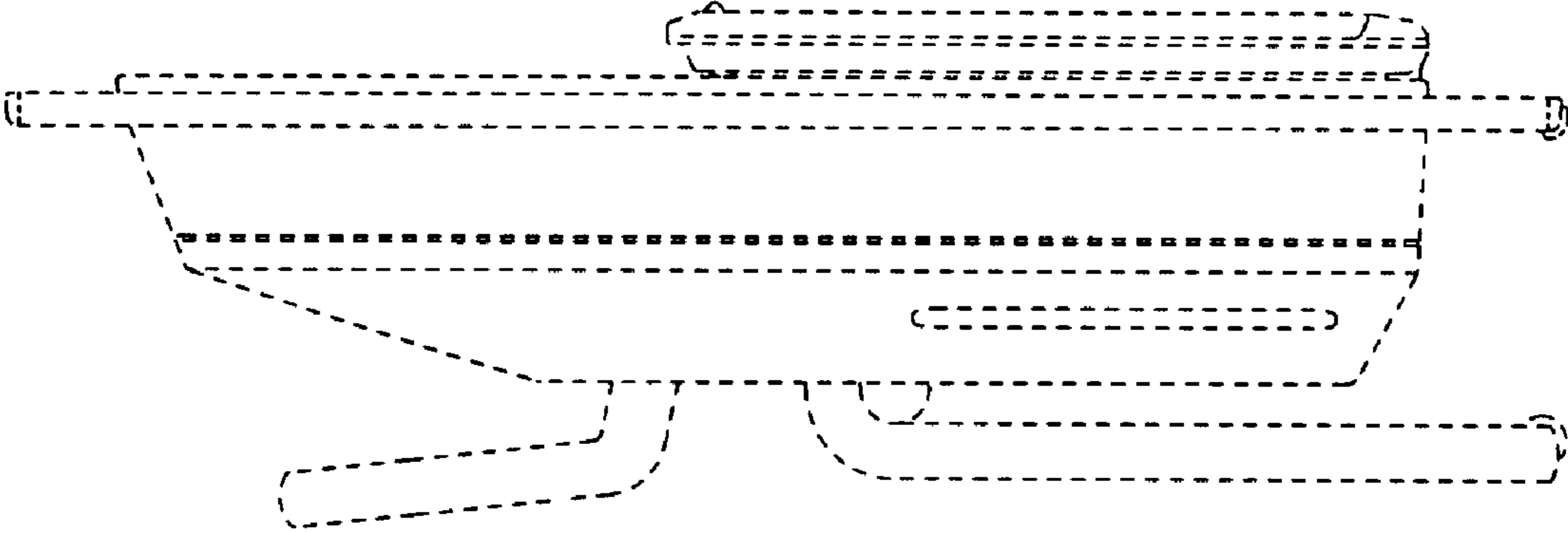


Fig.5

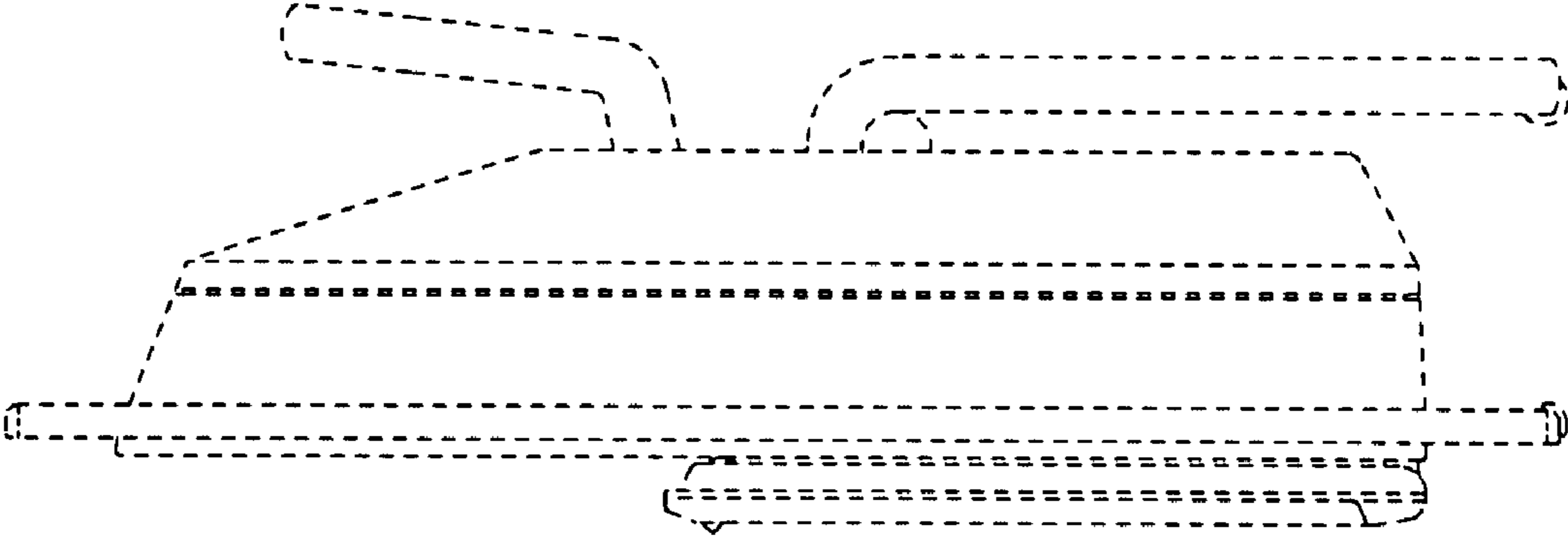


Fig.6

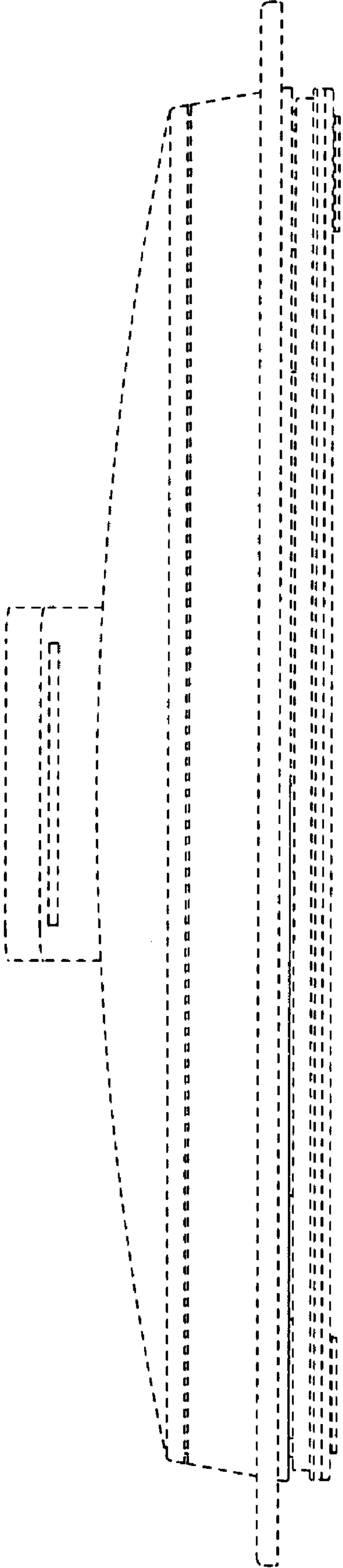


Fig.7

