



US00D600236S

(12) **United States Design Patent**
Sanguinetti et al.

(10) **Patent No.:** **US D600,236 S**

(45) **Date of Patent:** **** Sep. 15, 2009**

(54) **HEADSET**

(75) Inventors: **Alejandro Sanguinetti**, Helsinki (FI);
Simon Bradford, Espoo (FI)

(73) Assignee: **Nokia Corporation**, Espoo (FI)

(**) Term: **14 Years**

(21) Appl. No.: **29/318,642**

(22) Filed: **May 23, 2008**

(51) **LOC (9) Cl.** **14-01**

(52) **U.S. Cl.** **D14/223**

(58) **Field of Classification Search** D14/205,
D14/206, 223, 188, 192, 225, 226; 181/128,
181/129, 130; 379/130, 430, 431, 433.01,
379/433.02, 433.03, 370, 374.01, 374.02,
379/376.01, 376.02; 381/330, 360, 361,
381/370, 374, 375, 376, 377, 378, 380, 381,
381/383, 367, 369; 455/351, 575.1, 575.2,
455/569.1, 90.3; D24/174

See application file for complete search history.

(56) **References Cited**

U.S. PATENT DOCUMENTS

6,101,260	A *	8/2000	Jensen et al.	381/381
6,101,402	A *	8/2000	Bartha et al.	455/569.1
D470,836	S *	2/2003	Amae et al.	D14/223
6,532,295	B1 *	3/2003	Brimhall et al.	381/328
D485,549	S *	1/2004	Ma et al.	D14/223
D492,667	S *	7/2004	Skulley et al.	D14/223
D504,419	S *	4/2005	Bey et al.	D14/223
D536,694	S *	2/2007	Eroma et al.	D14/223
D543,539	S *	5/2007	Sade et al.	D14/223
D552,602	S *	10/2007	Sade et al.	D14/223
D555,153	S *	11/2007	Wilson et al.	D14/223
D561,179	S *	2/2008	Sade et al.	D14/223

D576,609 S * 9/2008 Bradford et al. D14/223

* cited by examiner

Primary Examiner—Paula Greene

(74) *Attorney, Agent, or Firm*—Banner & Witcoff, Ltd.

(57) **CLAIM**

The ornamental design for a headset, as shown and described.

DESCRIPTION

FIG. 1 is a front perspective view of a first embodiment of a headset showing our new design;

FIG. 2 is a front view thereof;

FIG. 3 is a rear view thereof;

FIG. 4 is a right side view thereof;

FIG. 5 is a left side view thereof;

FIG. 6 is a top view thereof;

FIG. 7 is a bottom view thereof;

FIG. 8 is a rear perspective view thereof;

FIG. 9 is a front perspective view of a headset in an open position showing our new design;

FIG. 10 is a front view thereof;

FIG. 11 is a rear view thereof;

FIG. 12 is a right side view thereof;

FIG. 13 is a left side view thereof;

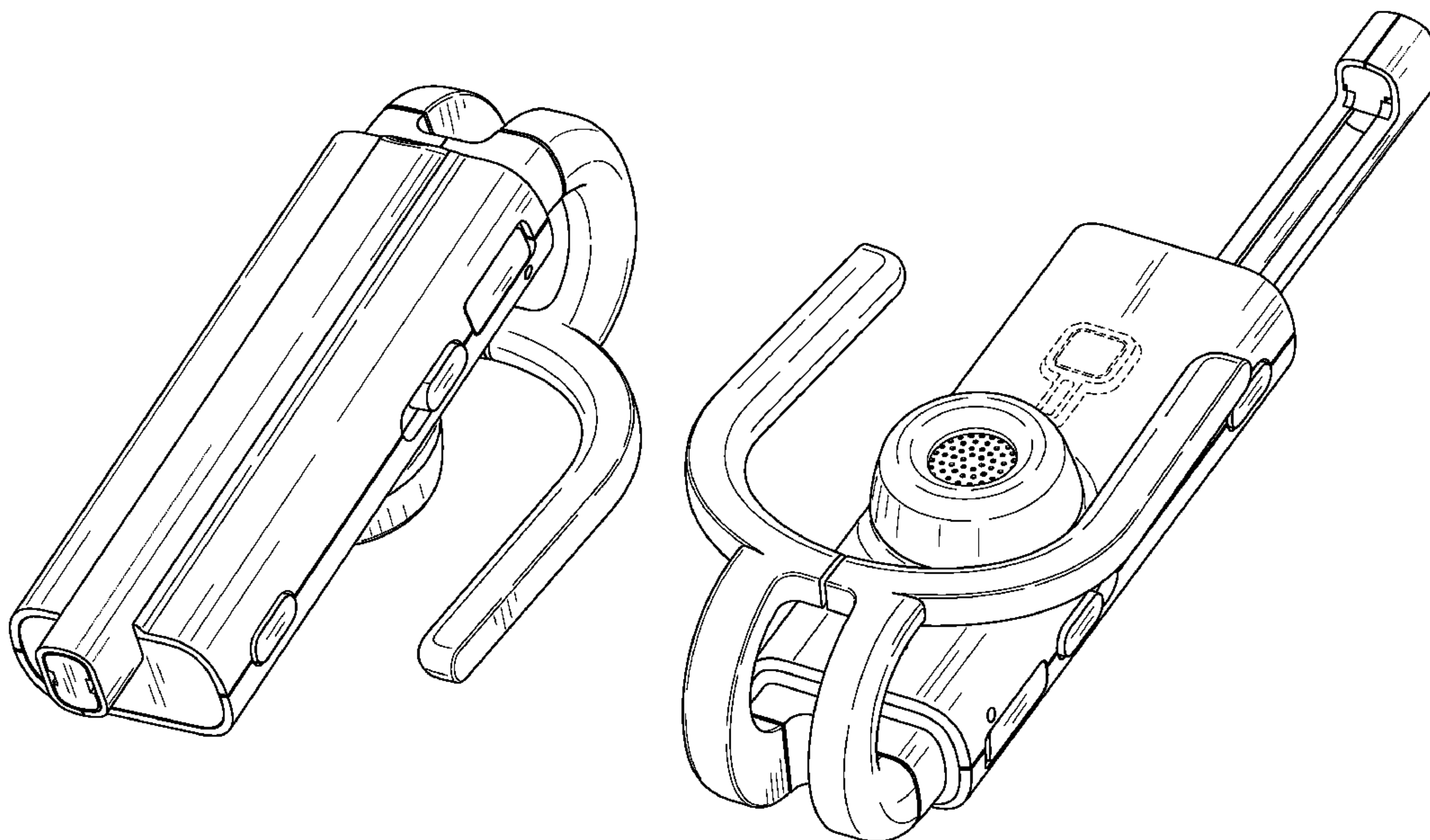
FIG. 14 is a top view thereof;

FIG. 15 is a bottom view thereof; and,

FIG. 16 is a rear perspective view thereof.

The broken line showing of the remainder of the headset in FIGS. 1–16 is for illustrative purposes only and forms no part of the claimed design.

1 Claim, 10 Drawing Sheets



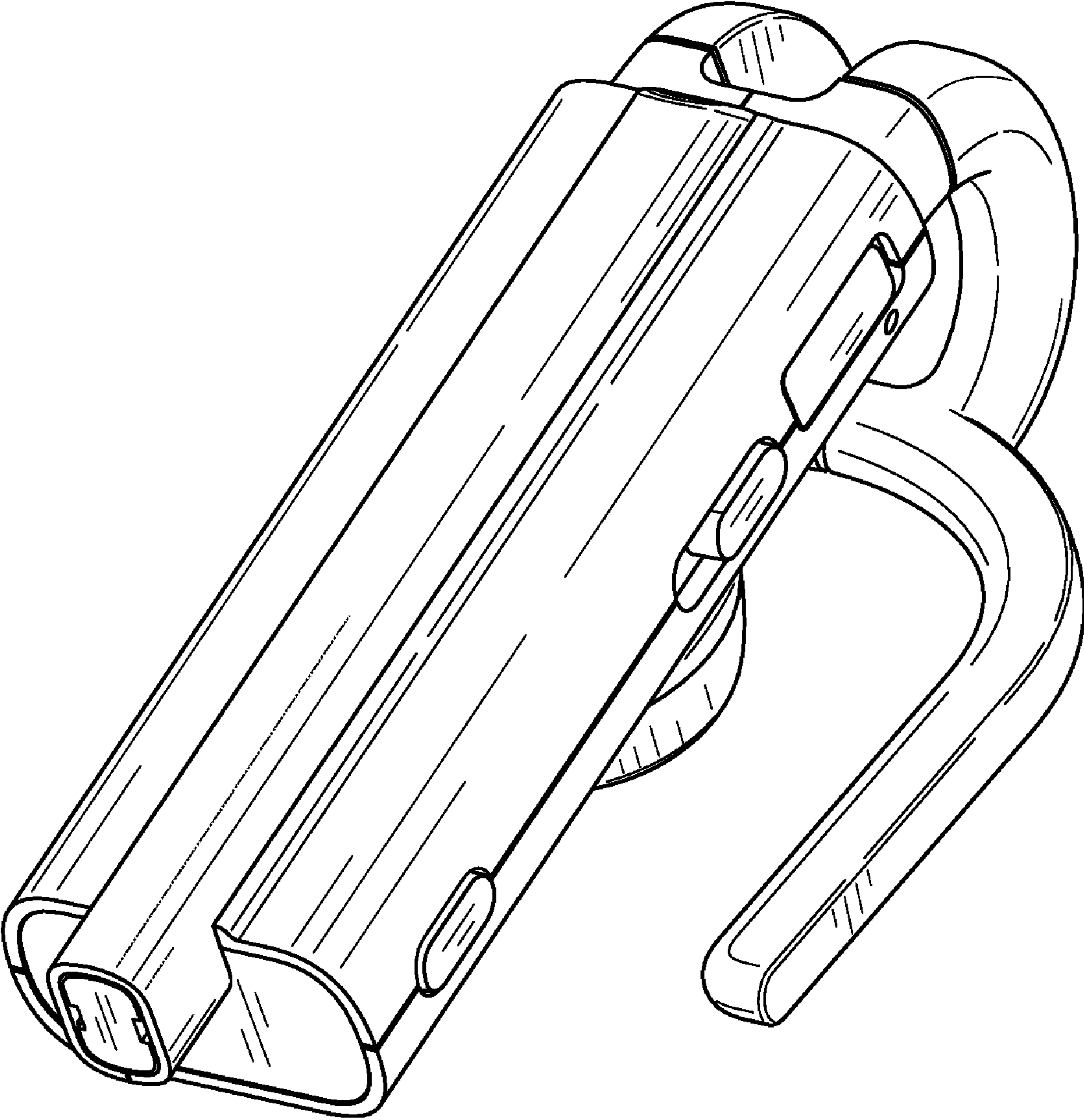


FIG. 1

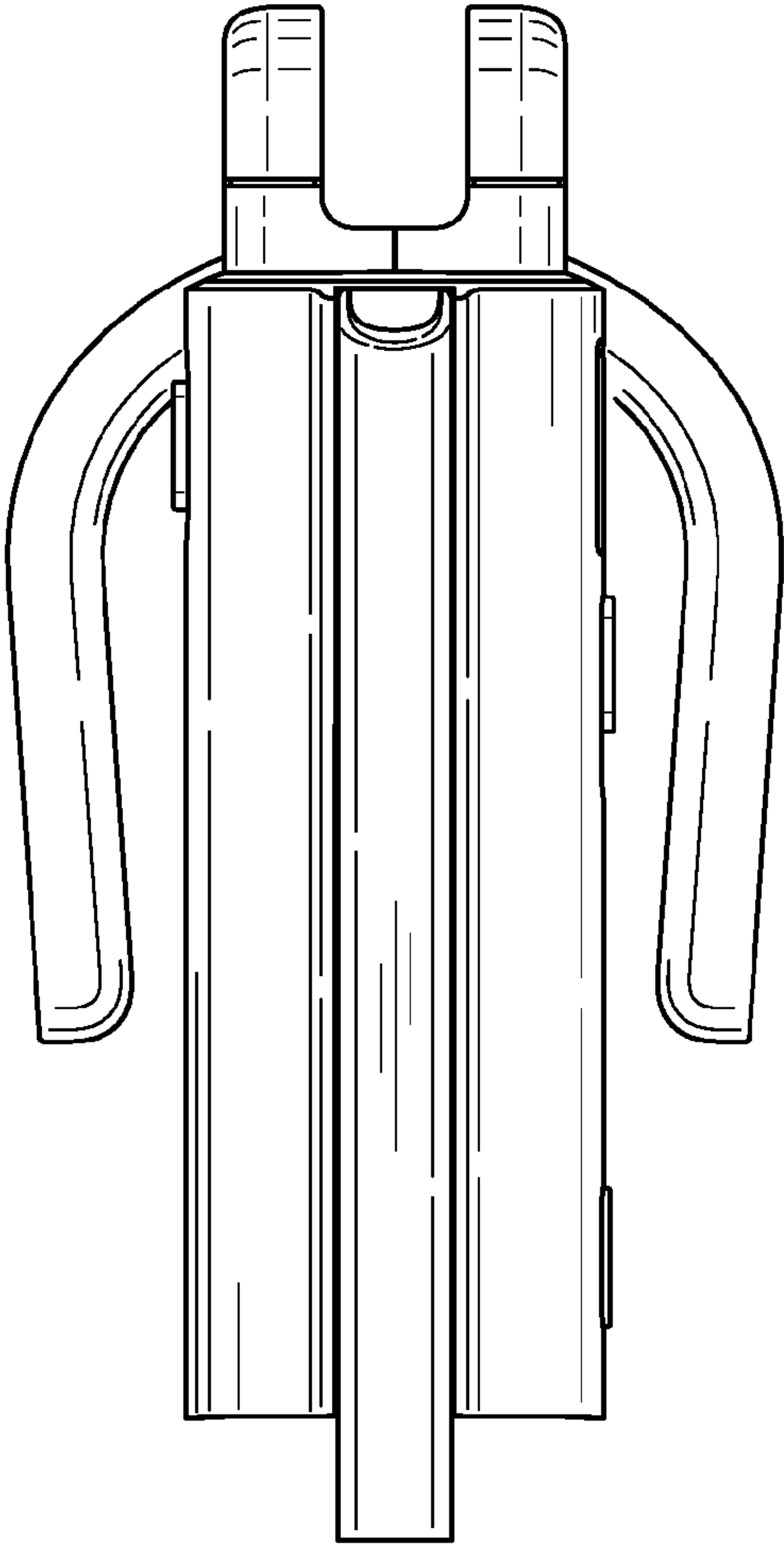


FIG. 2

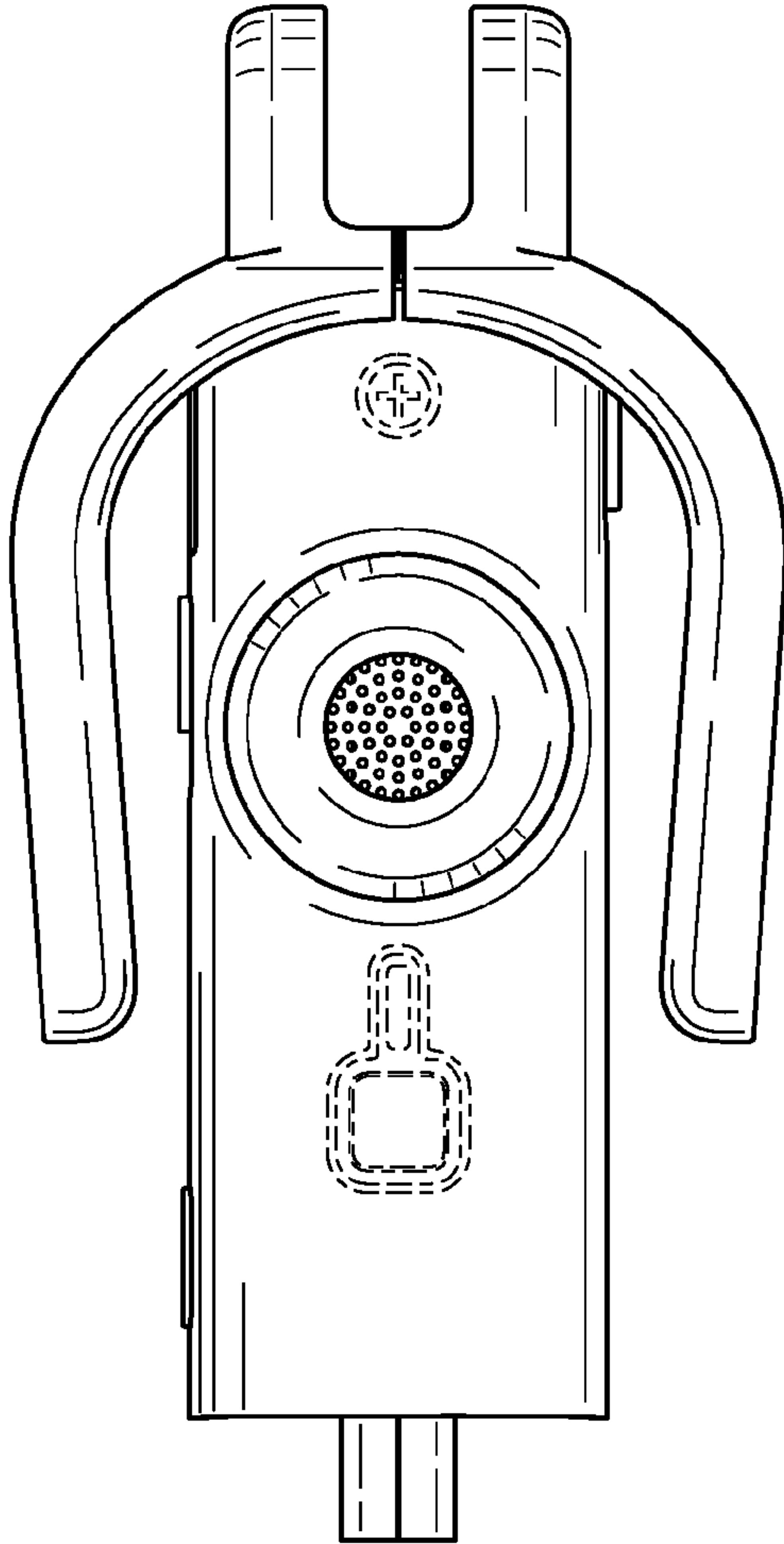


FIG. 3

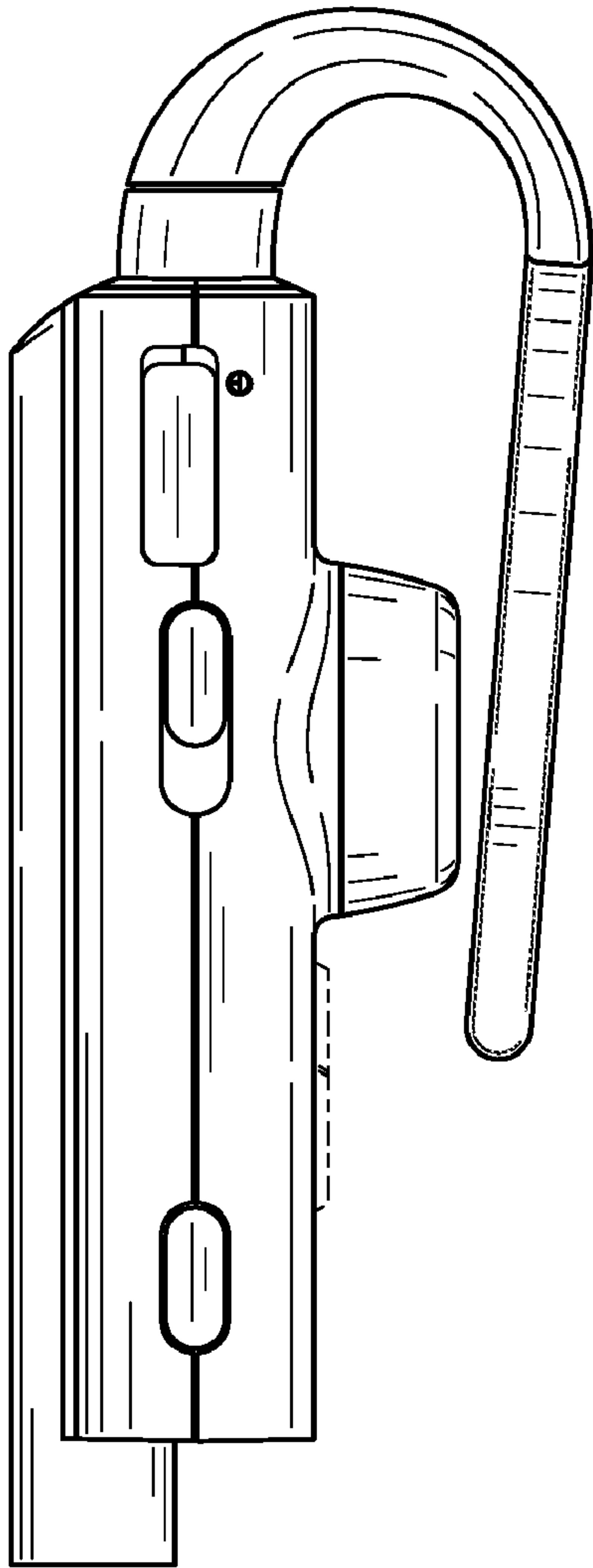


FIG. 4

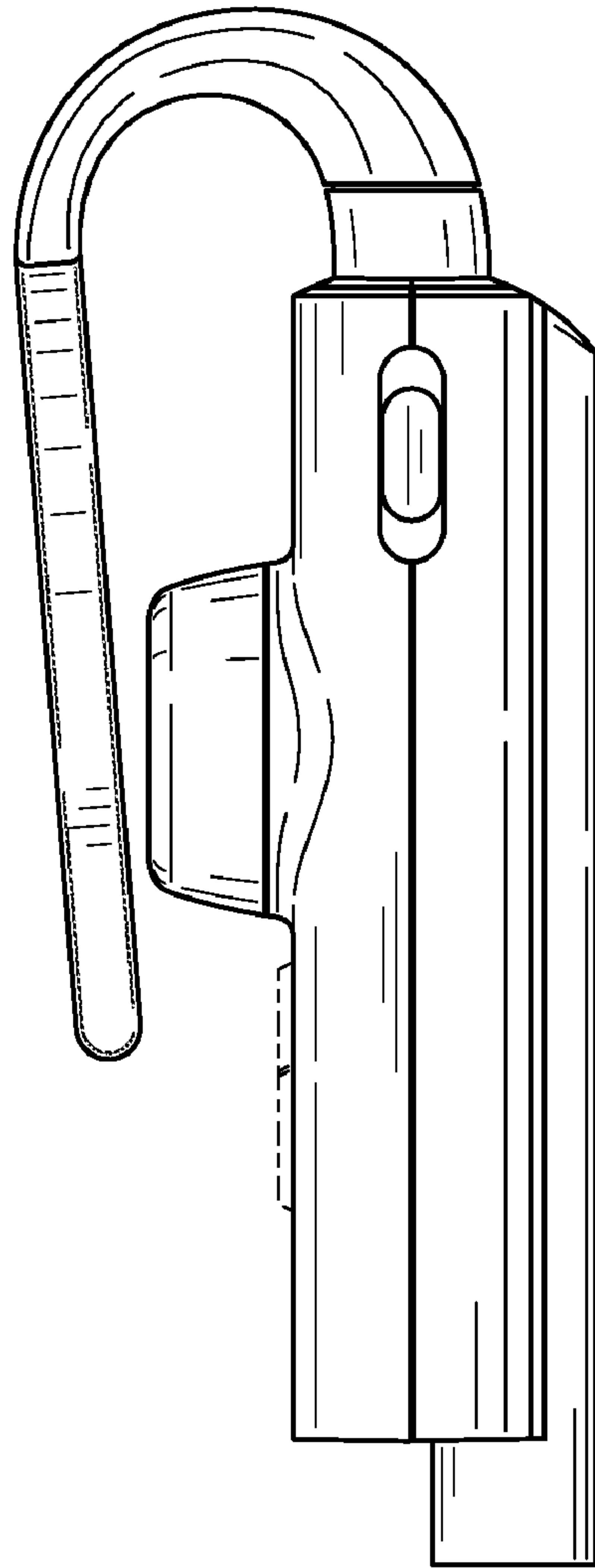


FIG. 5

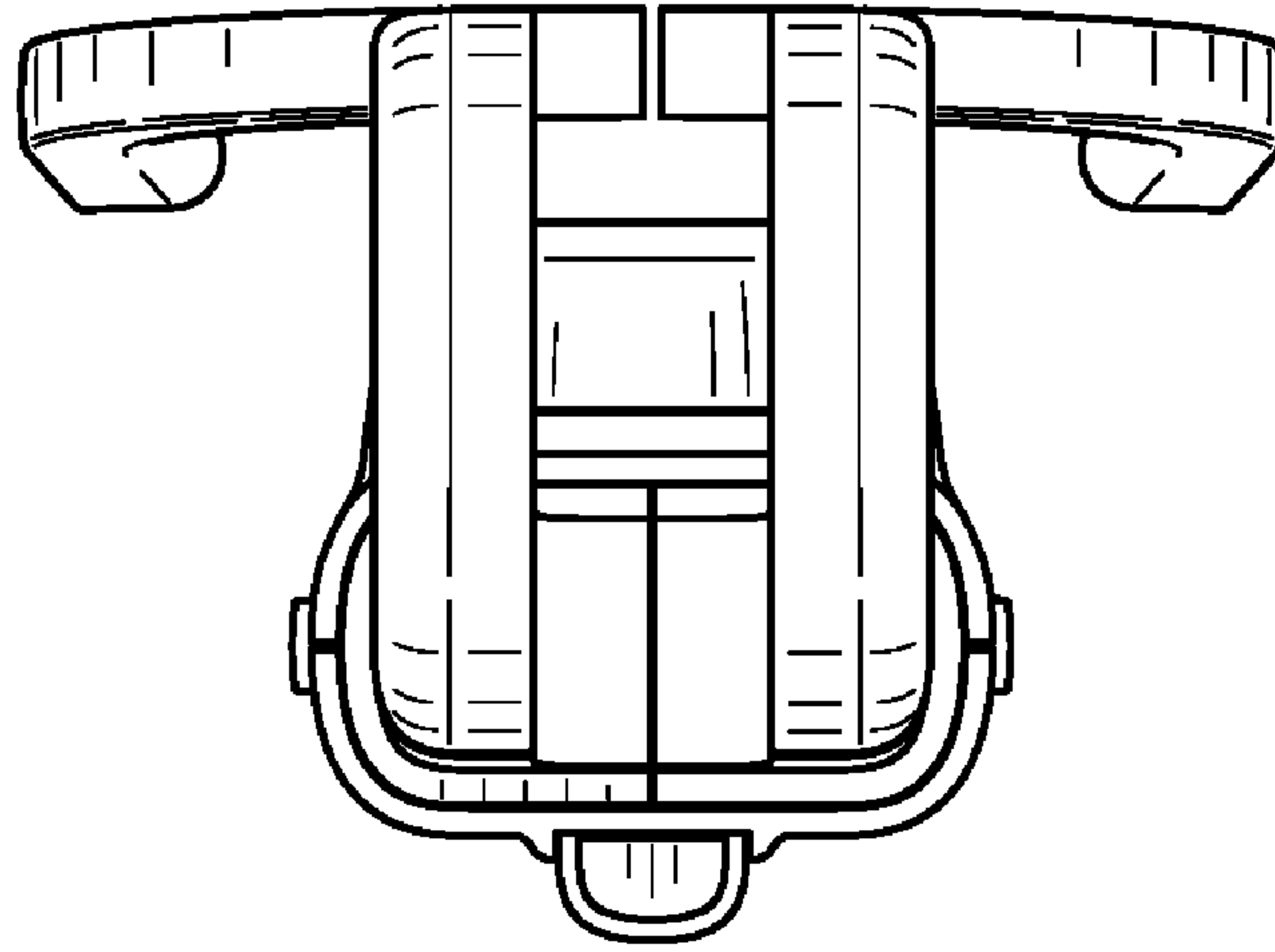


FIG. 6

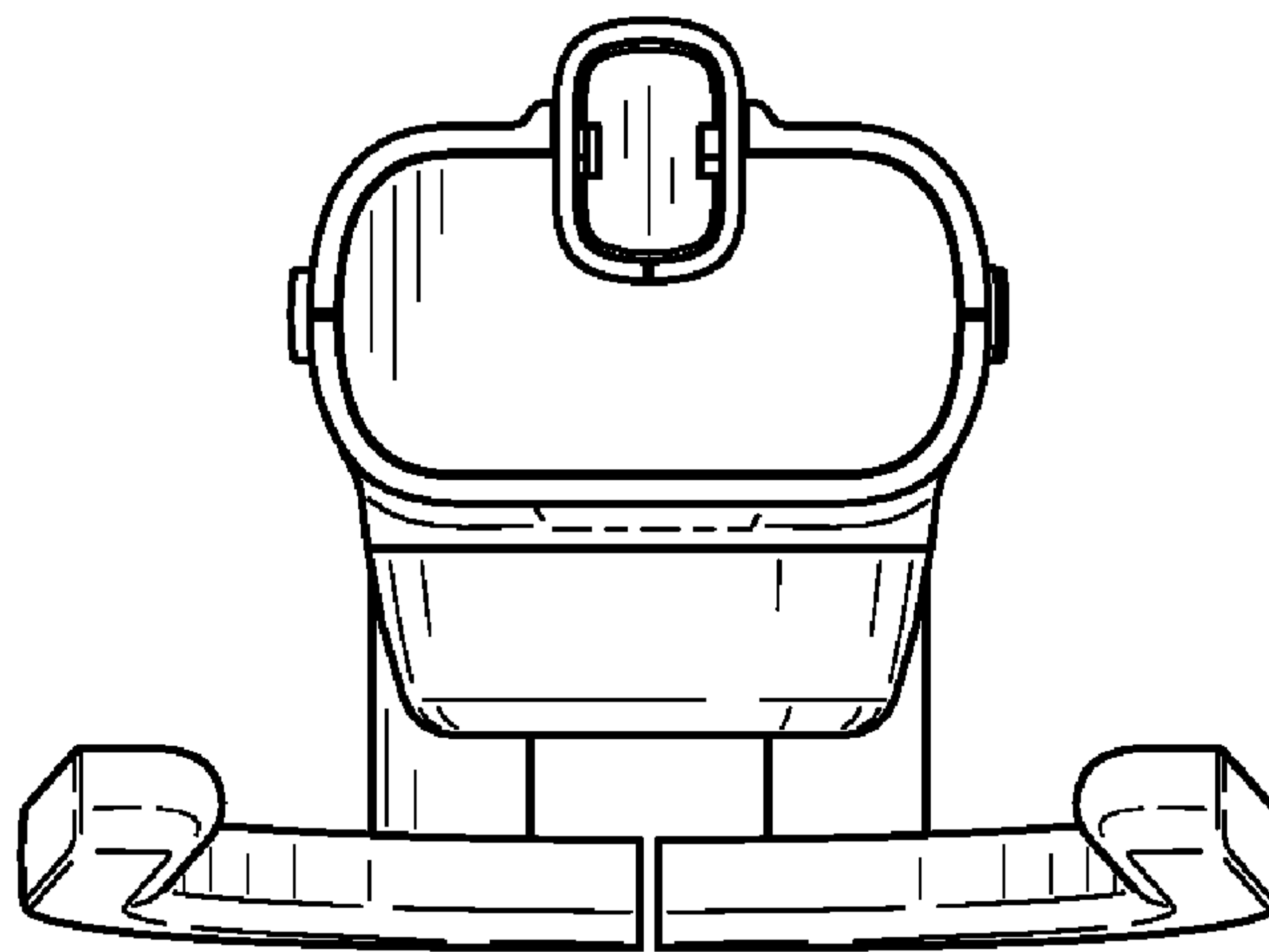


FIG. 7

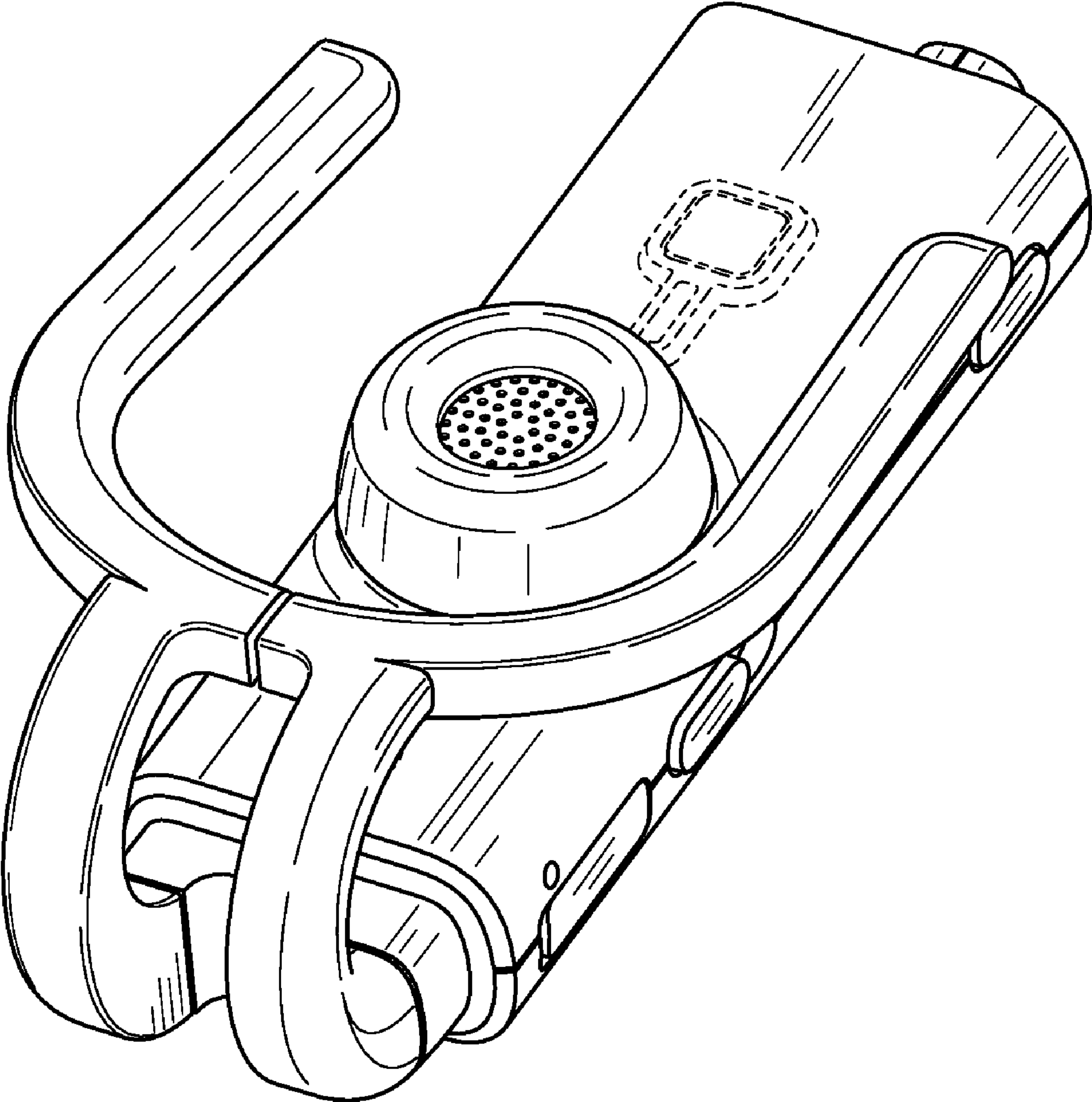


FIG. 8

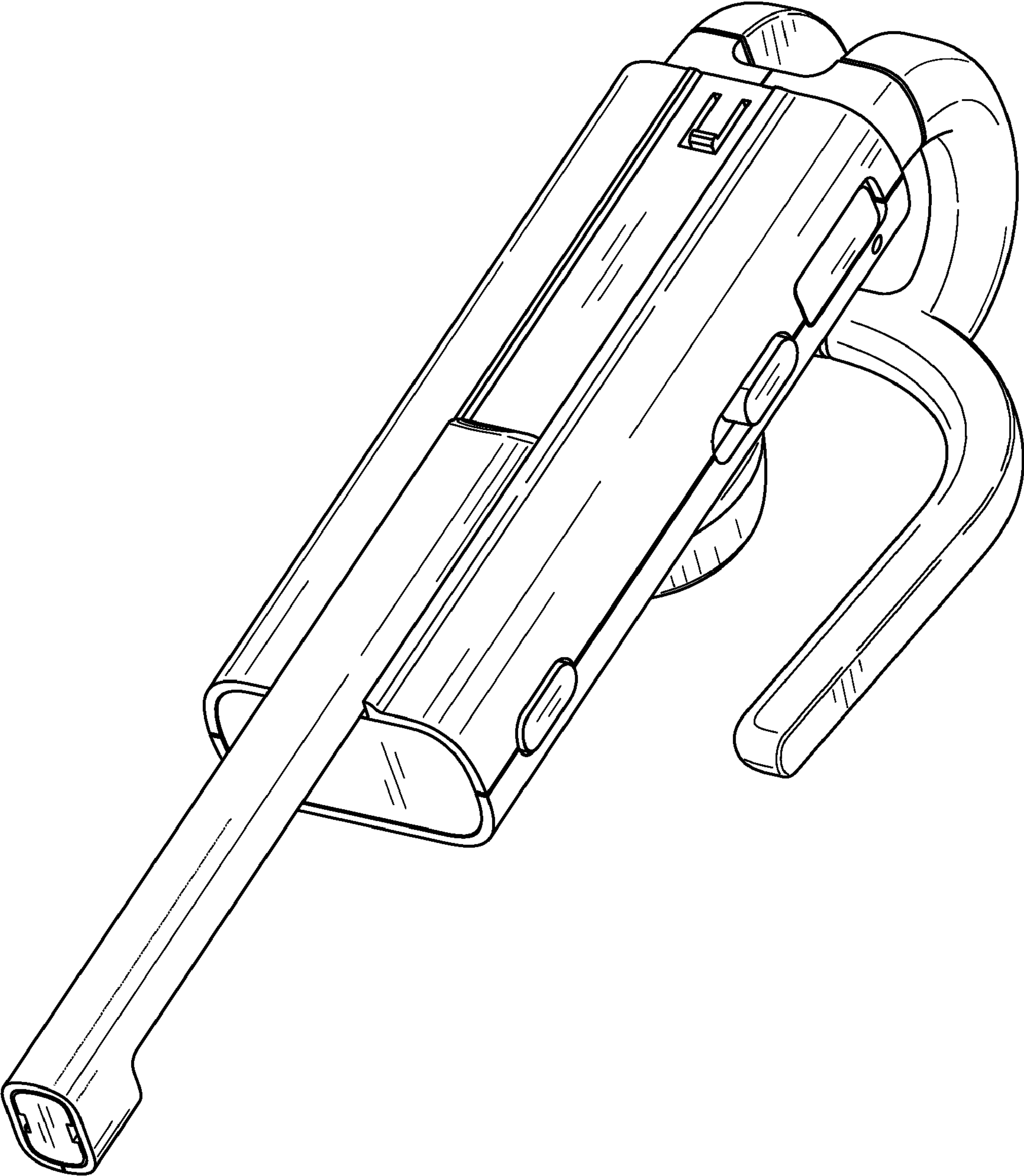


FIG. 9

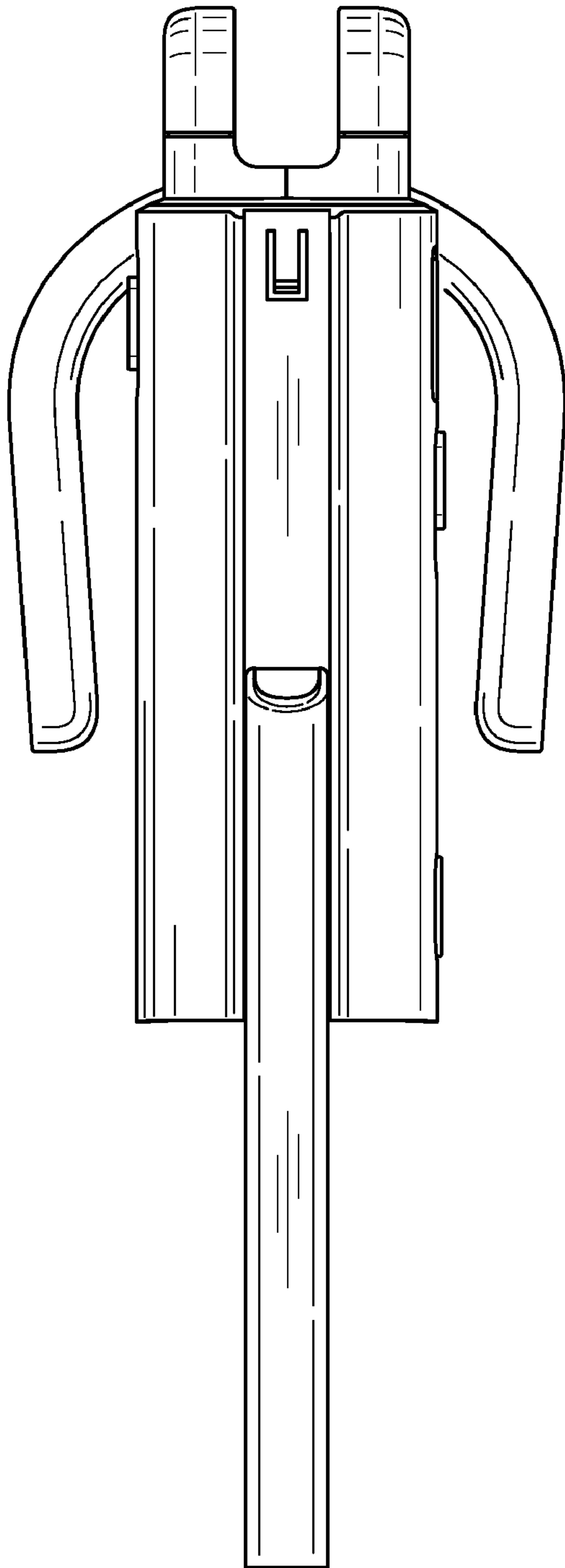


FIG. 10

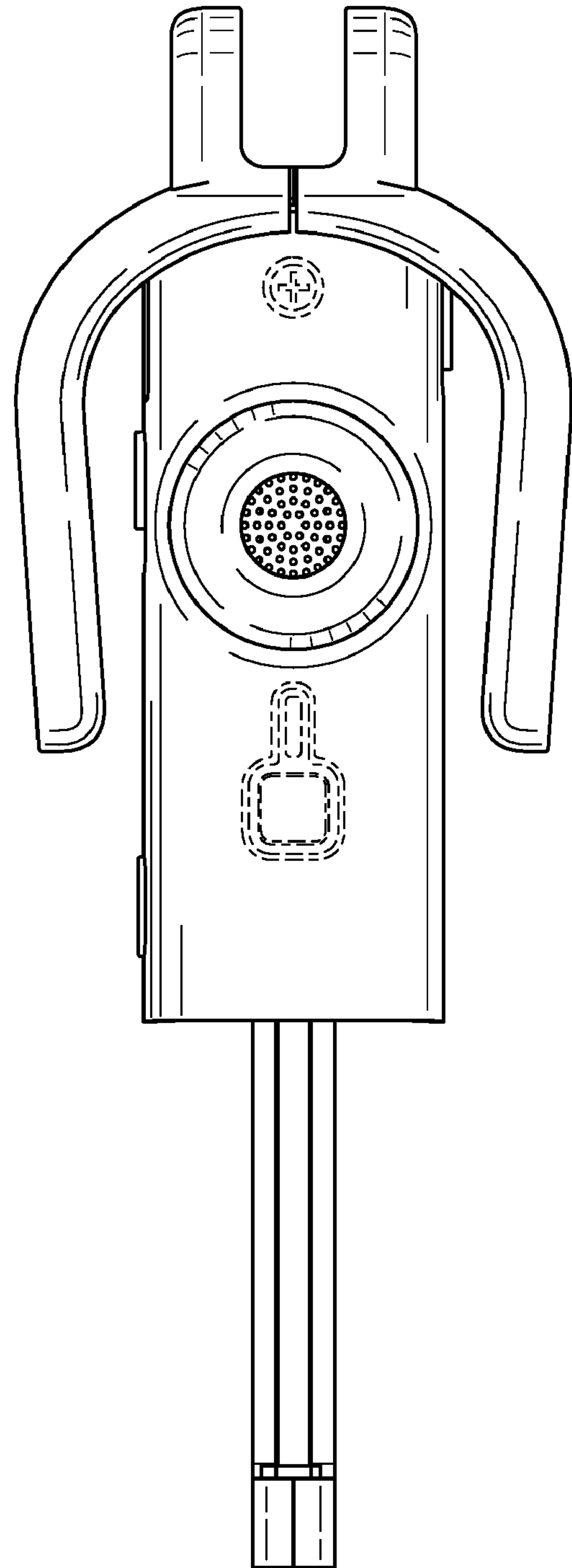


FIG. 11

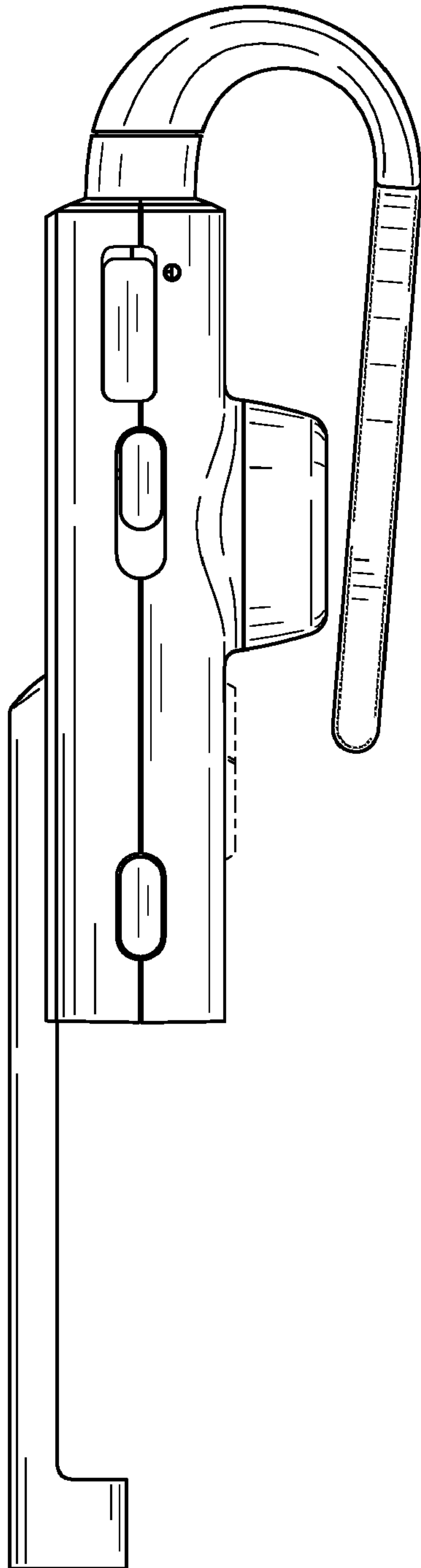


FIG. 12

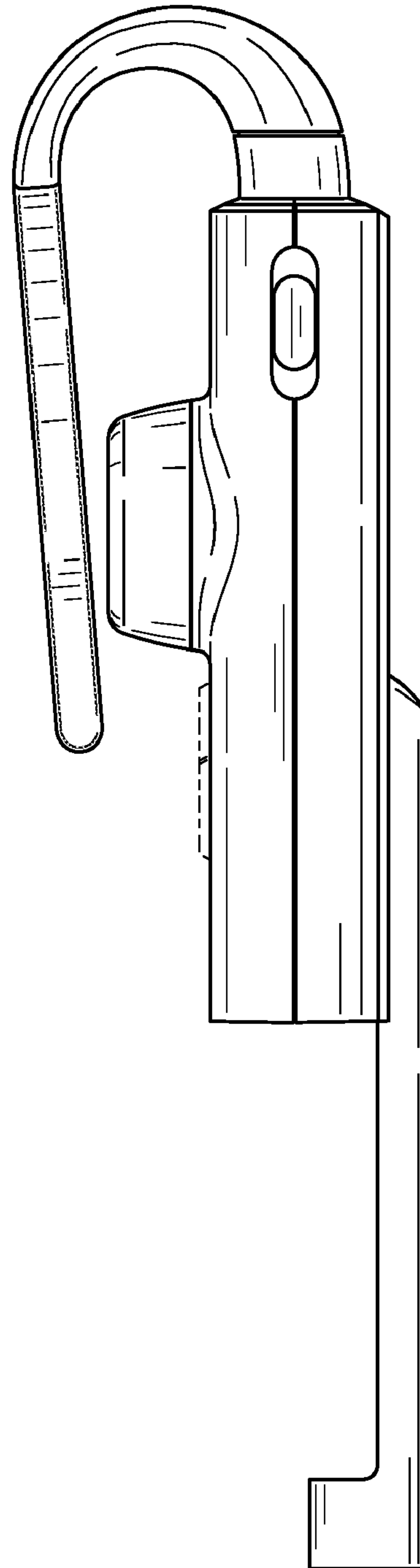


FIG. 13

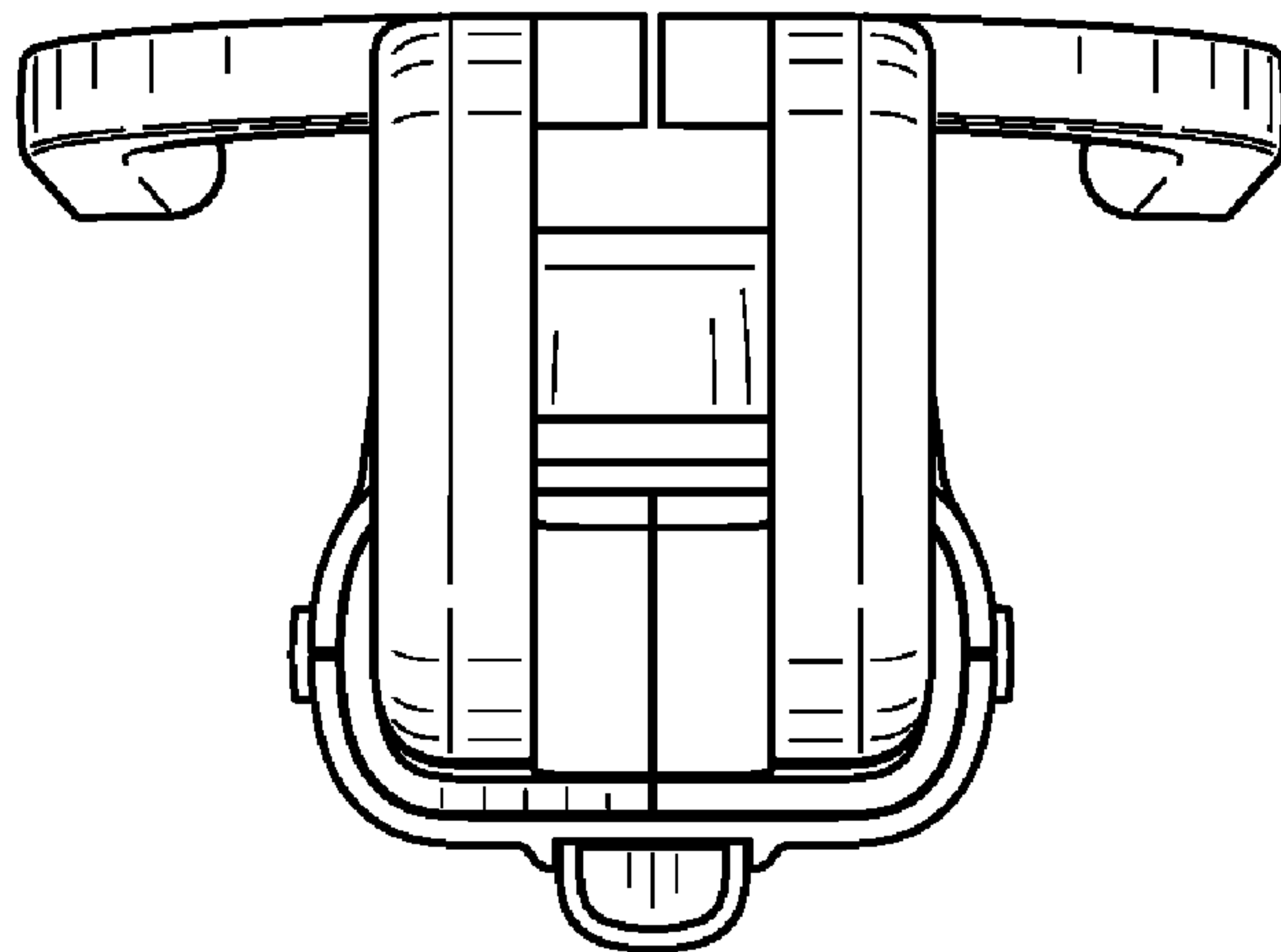


FIG. 14

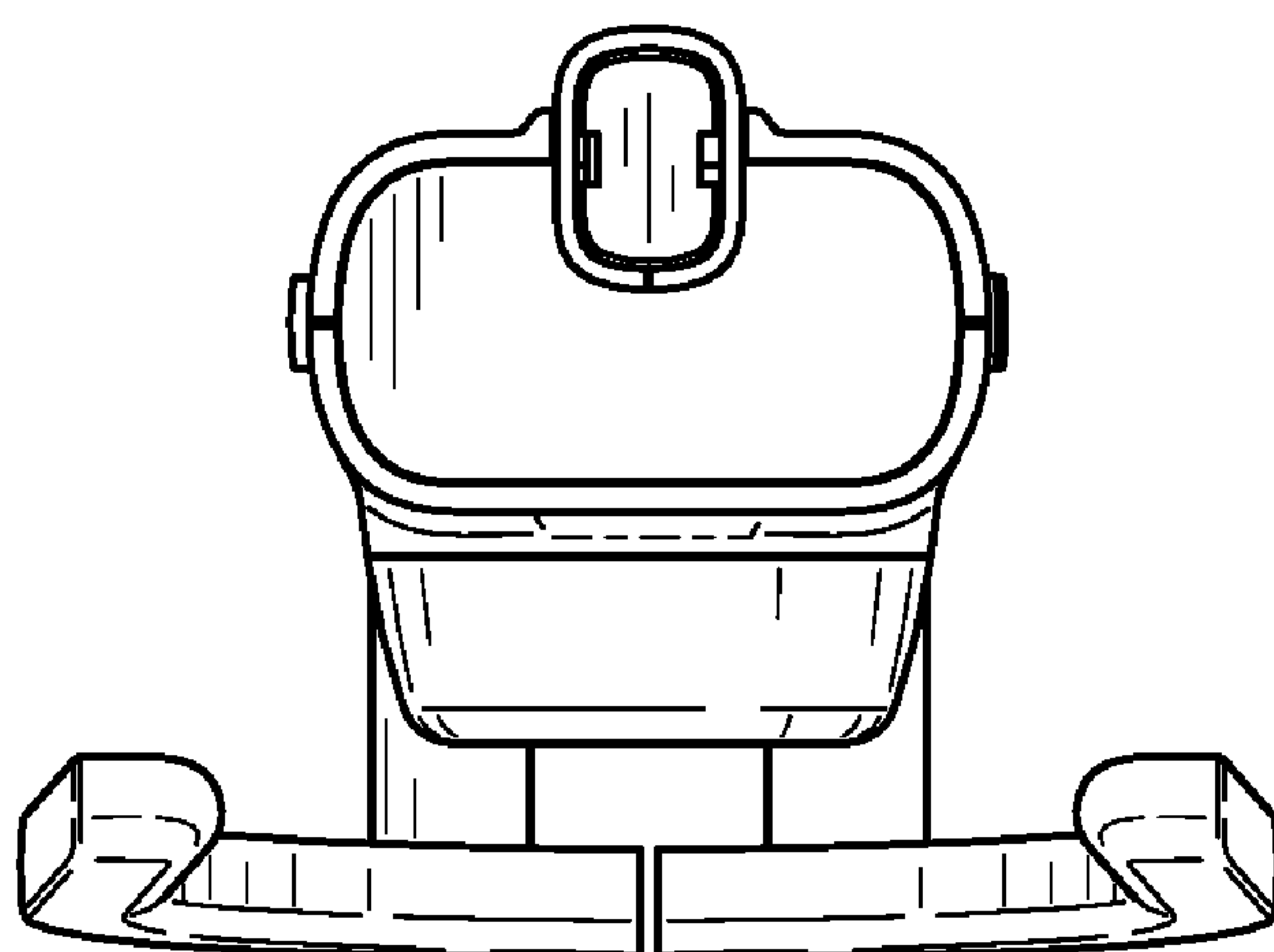


FIG. 15

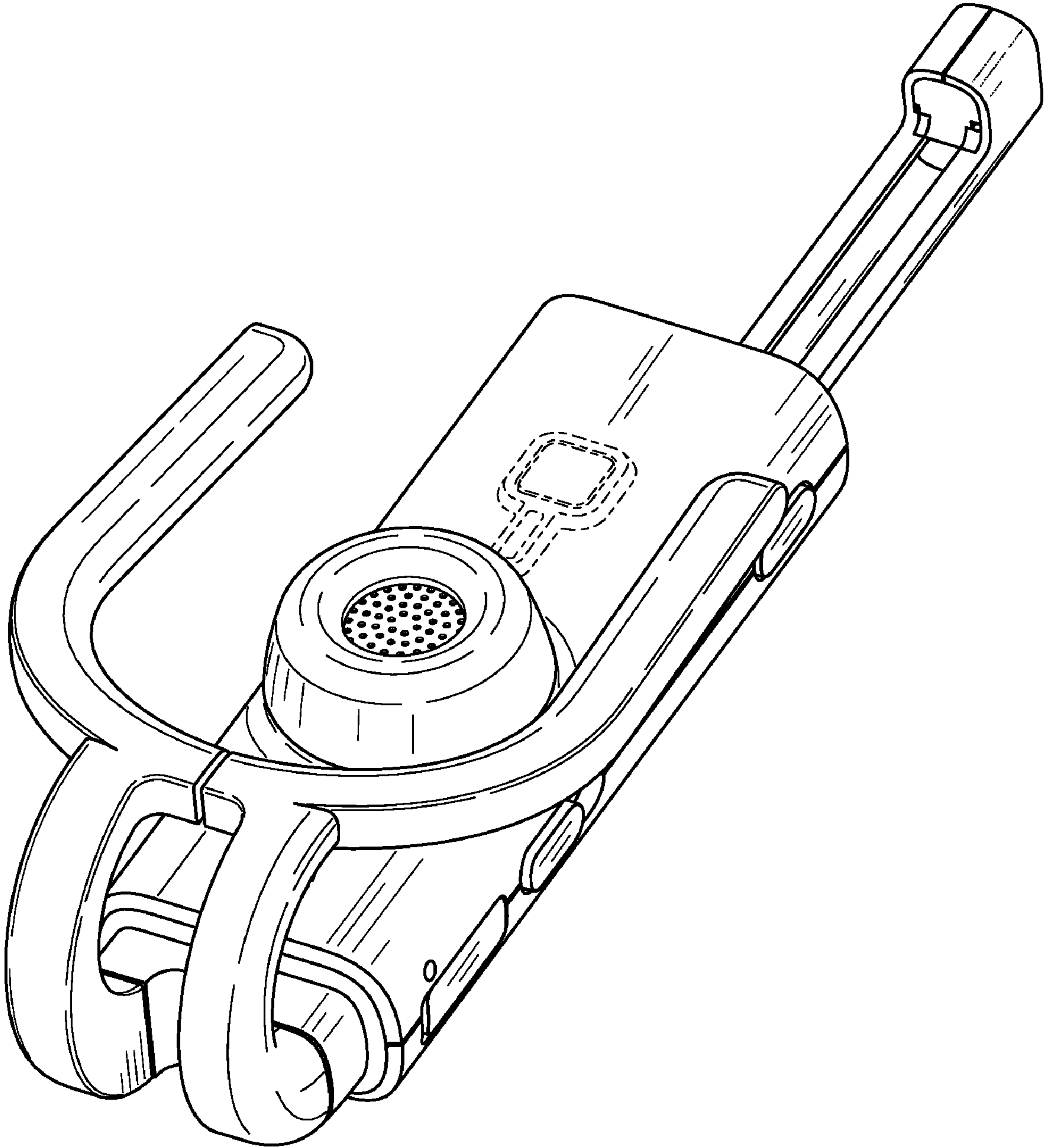


FIG. 16