



US00D600223S

(12) **United States Design Patent**
Aggarwal et al.

(10) **Patent No.:** **US D600,223 S**

(45) **Date of Patent:** **** Sep. 15, 2009**

(54) **SUSCEPTOR RING**

(76) Inventors: **Ravinder Aggarwal**, 819 W. Royal Palms Dr., Gilbert, AZ (US) 85233; **Bob Haro**, 1055 W. Iris Dr., Gilbert, AZ (US) 85233

(**) Term: **14 Years**

(21) Appl. No.: **29/322,630**

(22) Filed: **Aug. 7, 2008**

(51) **LOC (9) Cl.** **13-03**

(52) **U.S. Cl.** **D13/182**

(58) **Field of Classification Search** D13/182;
D9/456; 118/715, 724, 725; 219/390; 392/416;
438/758

See application file for complete search history.

(56) **References Cited**

U.S. PATENT DOCUMENTS

5,292,554	A *	3/1994	Sinha et al.	427/251
5,455,069	A *	10/1995	Lee	427/248.1
D404,370	S *	1/1999	Kimura	D13/182
5,895,530	A *	4/1999	Shrotriya et al.	118/715
5,960,159	A *	9/1999	Ikeda et al.	392/418
6,093,252	A	7/2000	Wengert et al.	
6,343,183	B1 *	1/2002	Halpin et al.	392/416
6,608,287	B2 *	8/2003	Halpin et al.	219/390
D496,008	S *	9/2004	Takahashi et al.	D13/182
D525,127	S *	7/2006	Cogley et al.	D9/456
2002/0011211	A1 *	1/2002	Halpin	118/715
2003/0000472	A1 *	1/2003	Lim et al.	118/715

* cited by examiner

Primary Examiner—Selina Sikder

(74) *Attorney, Agent, or Firm*—Knobbe Martens Olson & Bear

(57) **CLAIM**

The ornamental design for a susceptor ring, as shown and described.

DESCRIPTION

FIG. 1 is a bottom perspective view of a first embodiment of a susceptor ring of the present invention;

FIG. 2 is bottom view thereof;

FIG. 3 is a first side view thereof, wherein the second side view is a mirror image thereof;

FIG. 4 is a rear view thereof;

FIG. 5 is a front view thereof;

FIG. 6 is a top view thereof;

FIG. 7 is a bottom perspective view of a second embodiment of a susceptor ring of the present invention;

FIG. 8 is bottom view thereof;

FIG. 9 is a first side view thereof, wherein the second side view is a mirror image thereof;

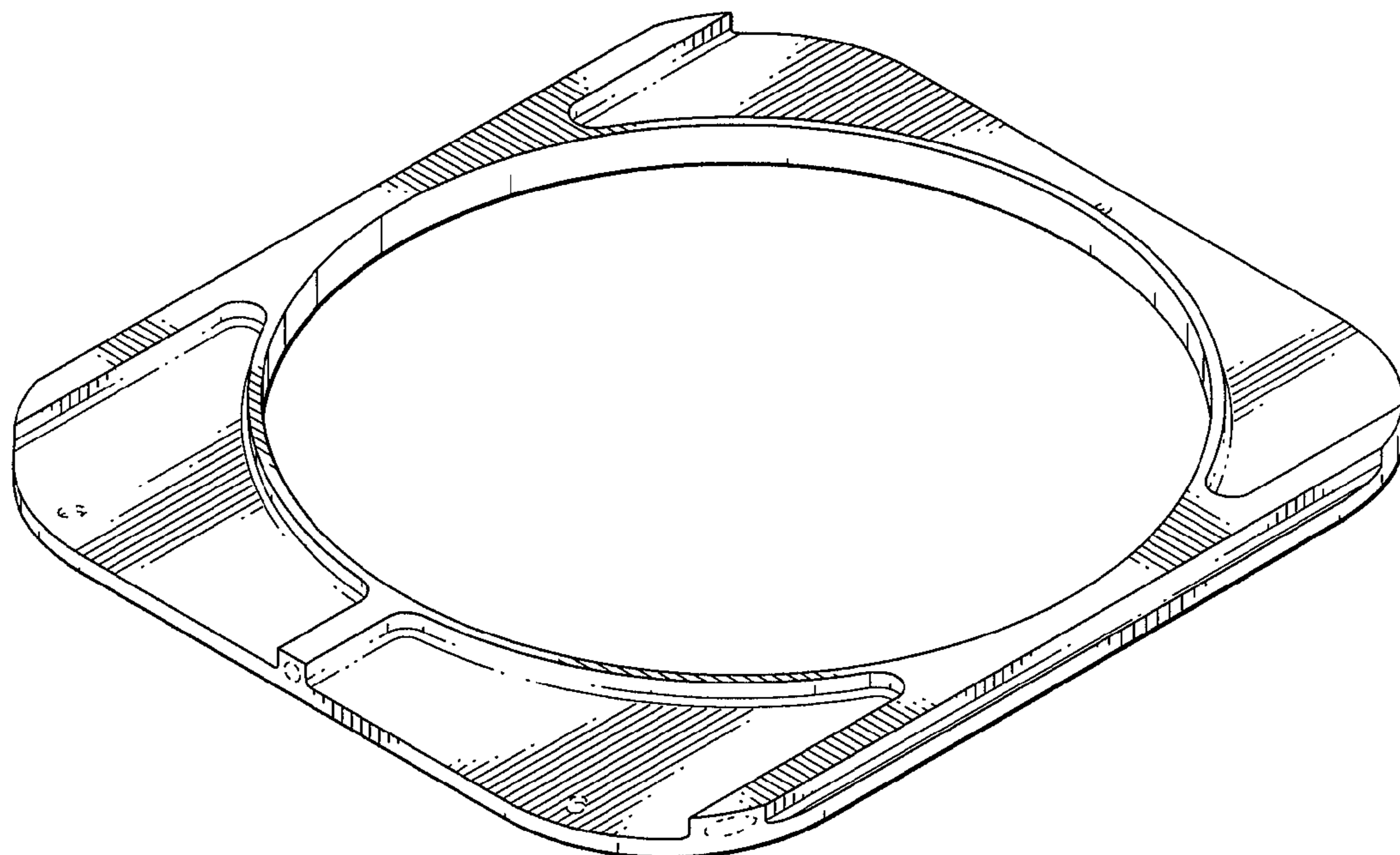
FIG. 10 is a rear view thereof;

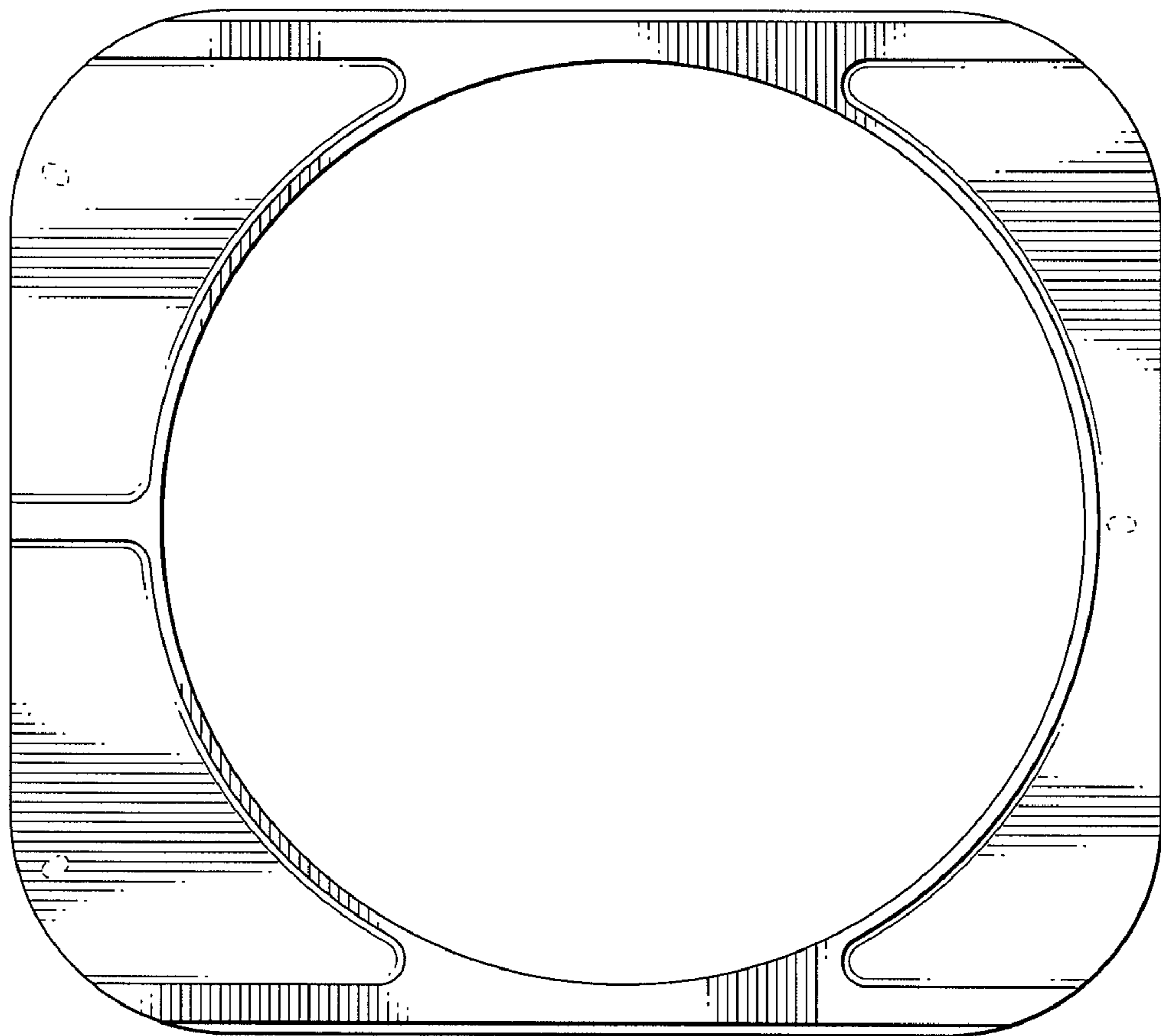
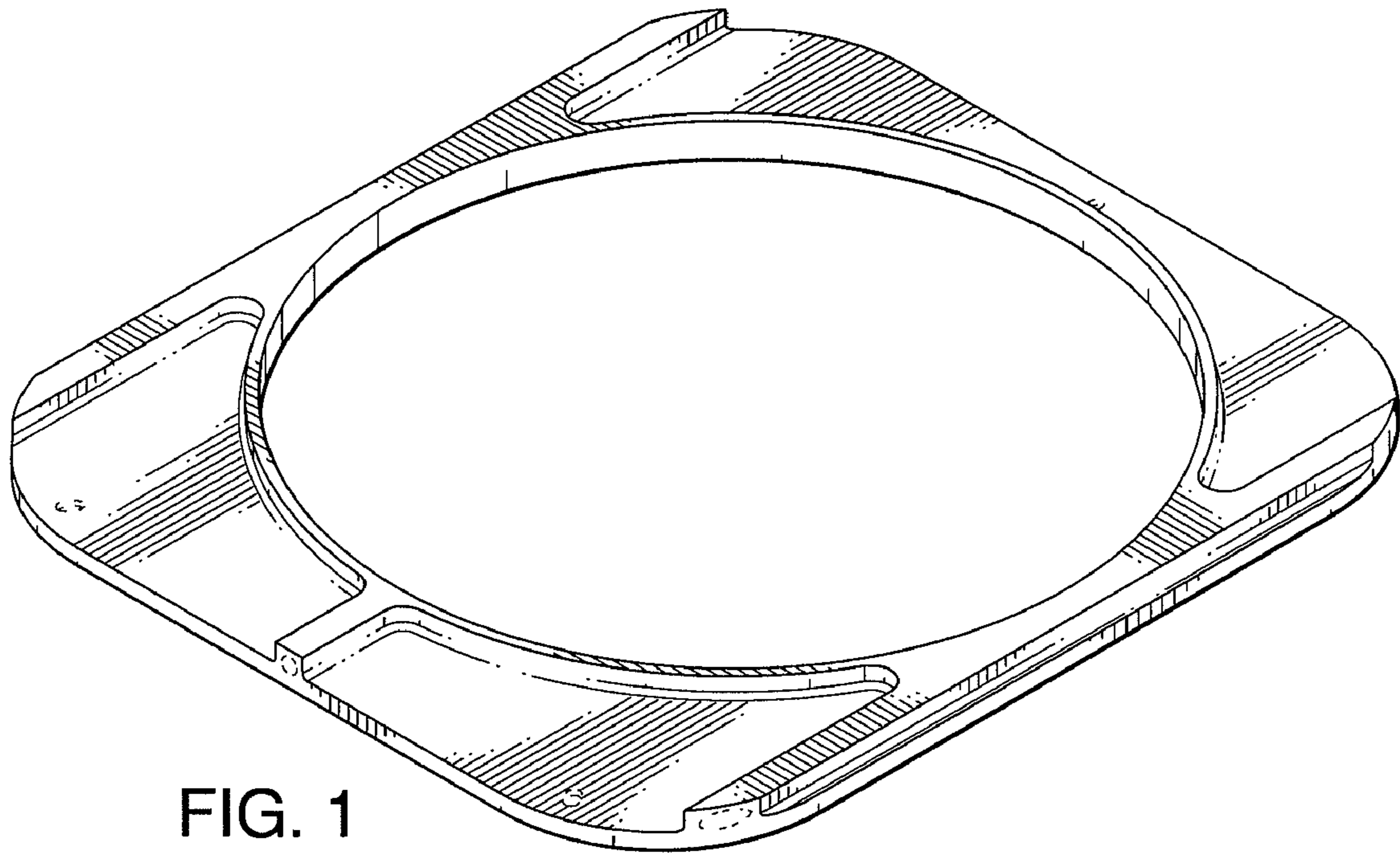
FIG. 11 is a front view thereof; and,

FIG. 12 is a top view thereof.

The ornamental design which is claimed is shown in solid lines in the drawings. Any broken lines in the drawings are for illustrative purposes only and form no part of the claimed design.

1 Claim, 4 Drawing Sheets





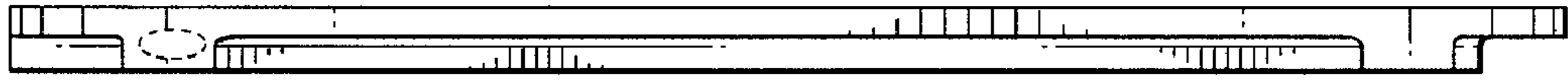


FIG. 3

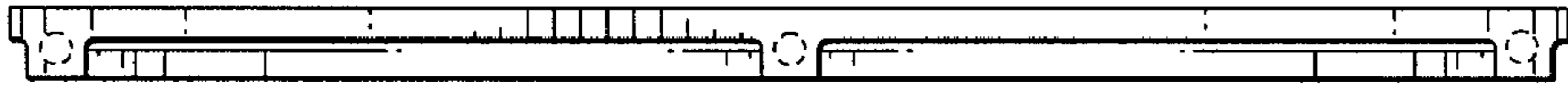


FIG. 4

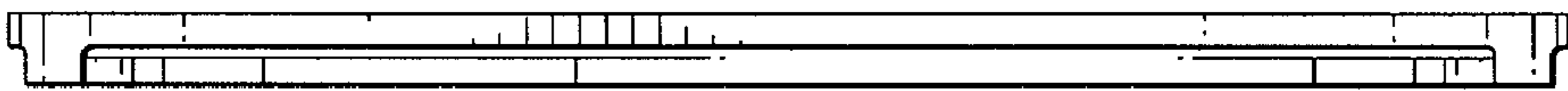


FIG. 5

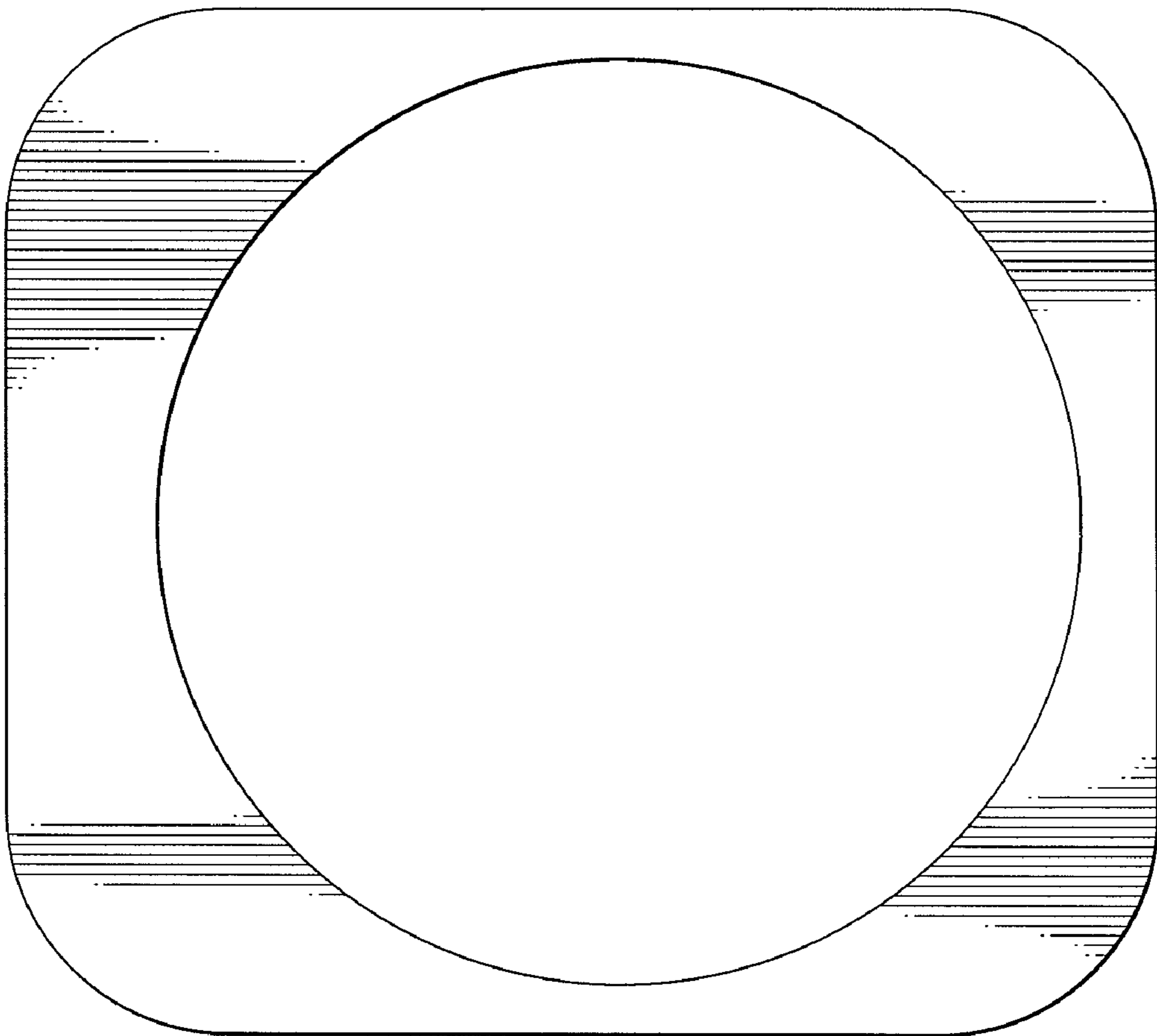


FIG. 6

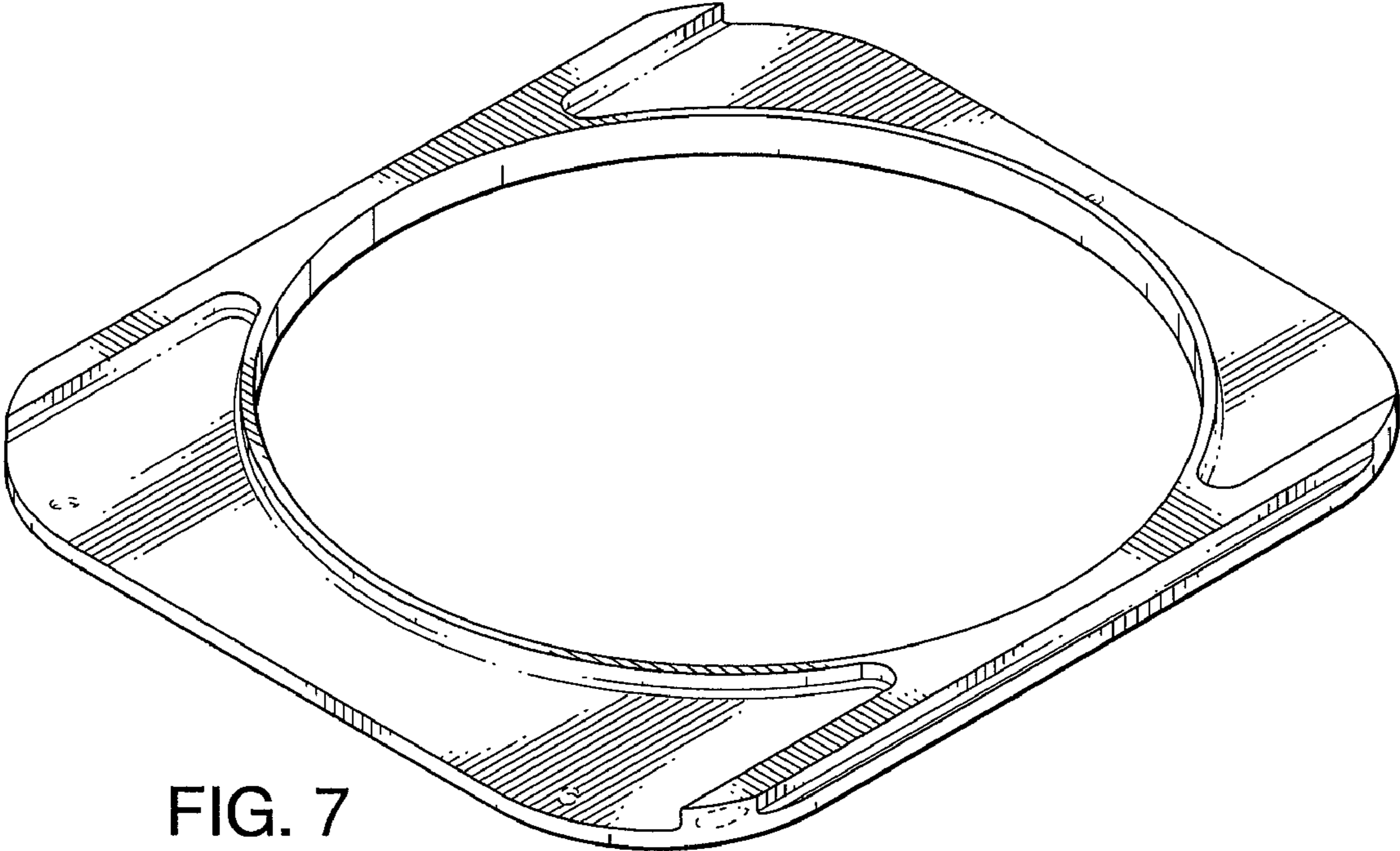


FIG. 7

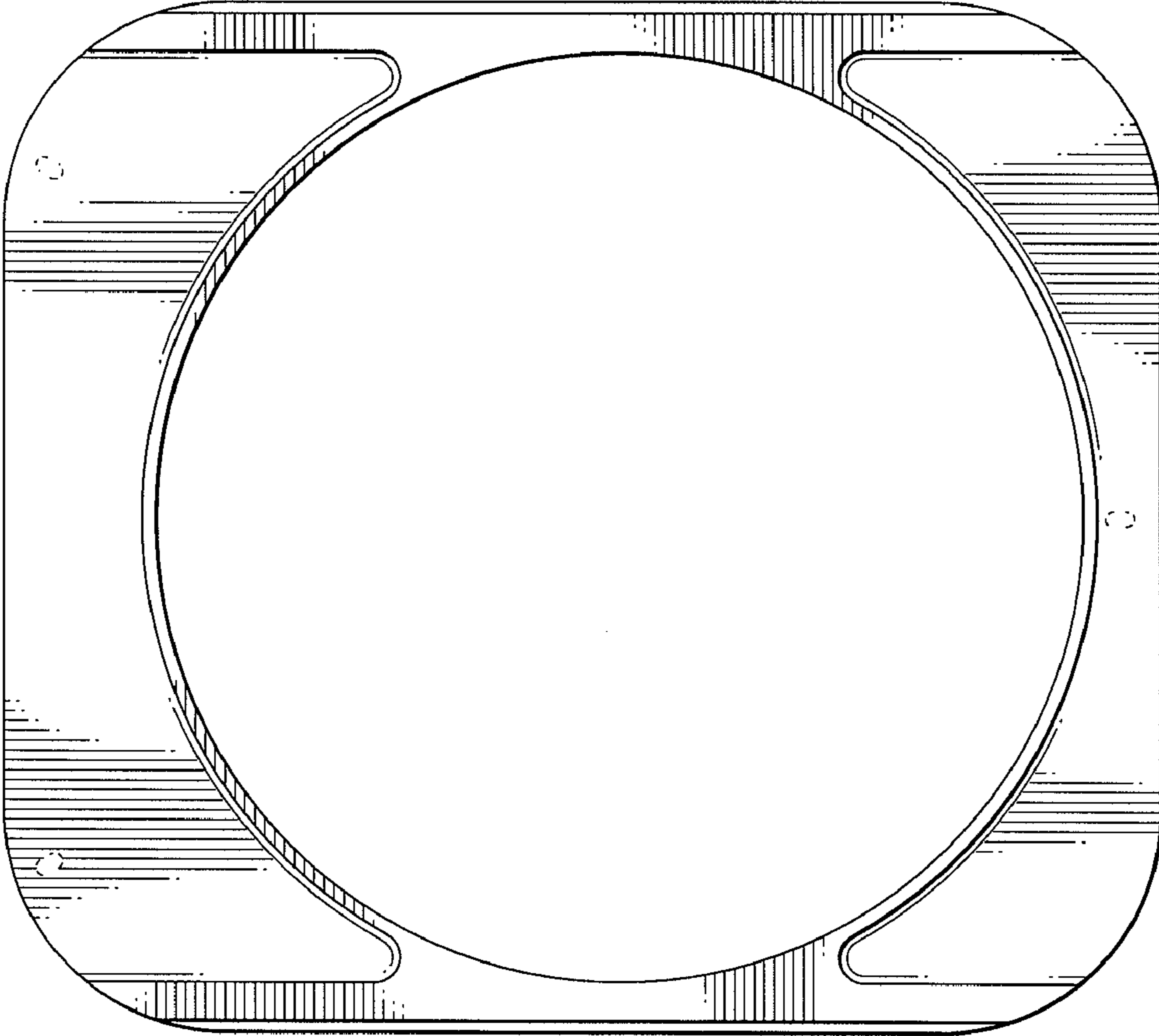


FIG. 8

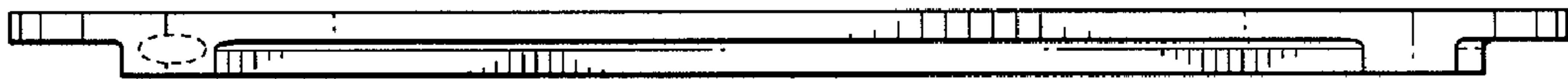


FIG. 9

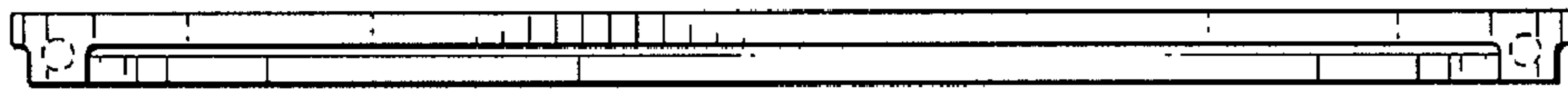


FIG. 10

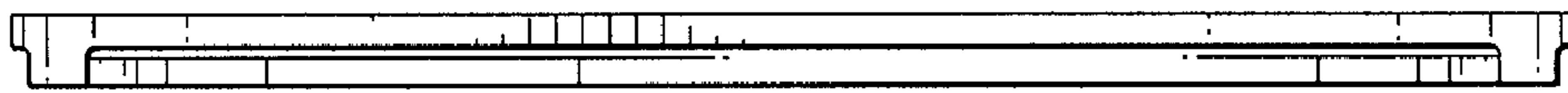


FIG. 11

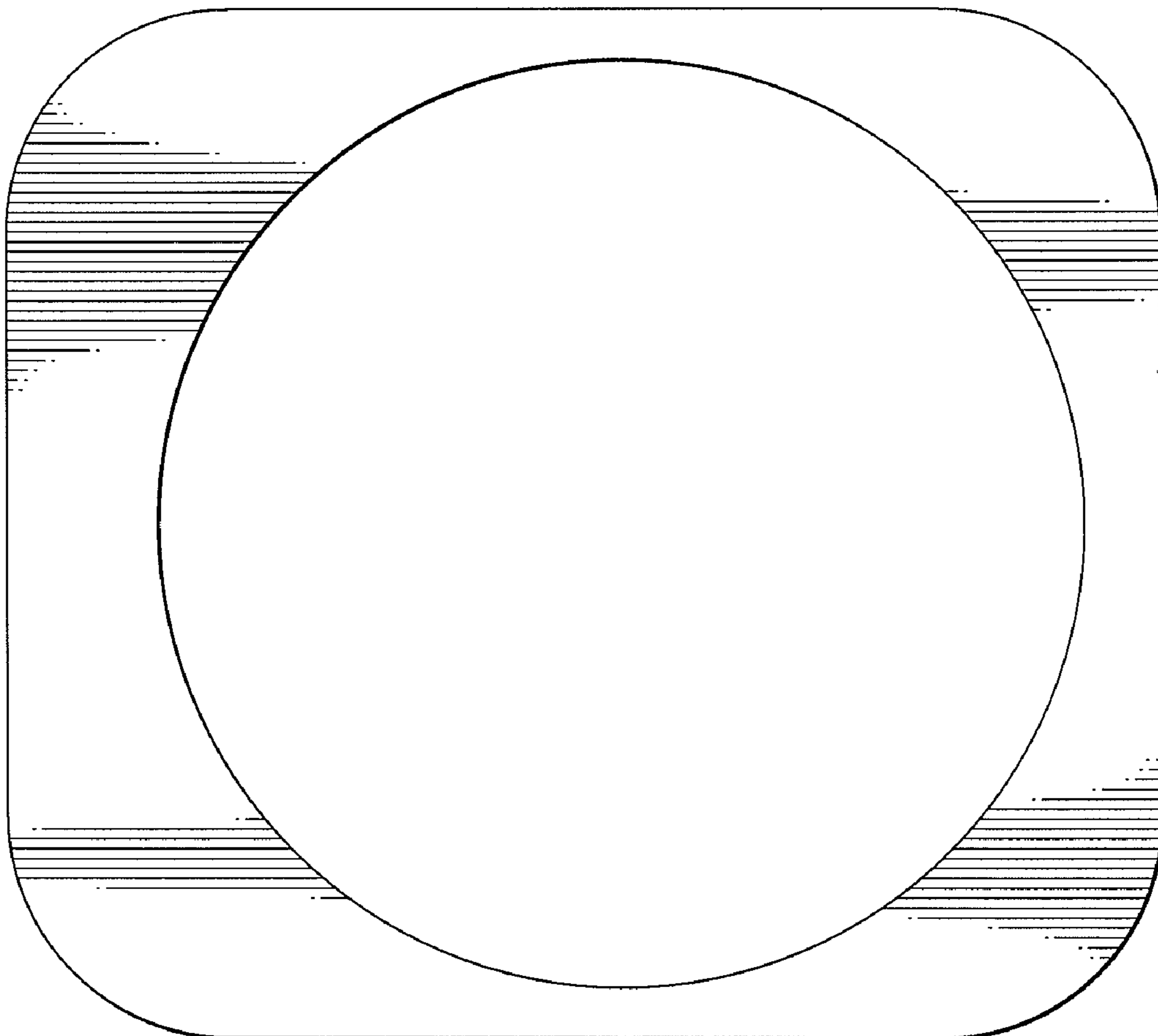


FIG. 12