



US00D600221S

(12) **United States Design Patent**  
**Sato**

(10) **Patent No.:** **US D600,221 S**  
(45) **Date of Patent:** **\*\* Sep. 15, 2009**

(54) **WAFER BOAT**

(75) Inventor: **Izumi Sato**, Oshu (JP)

(73) Assignee: **Tokyo Electron Limited**, Tokyo (JP)

(\*\*) Term: **14 Years**

(21) Appl. No.: **29/309,699**

(22) Filed: **Sep. 26, 2008**

(30) **Foreign Application Priority Data**

Mar. 28, 2008 (JP) ..... 2008-007855

(51) **LOC (9) Cl.** ..... **13-03**

(52) **U.S. Cl.** ..... **D13/182**

(58) **Field of Classification Search** ..... D13/182;  
D25/113, 118, 136; D21/484, 500, 505;  
52/610; 118/728, 729; 211/41.18; 432/241,  
432/253, 258; D6/495

See application file for complete search history.

(56) **References Cited**

**U.S. PATENT DOCUMENTS**

4,002,397	A *	1/1977	Wang et al.	439/225
5,553,854	A *	9/1996	Rum	273/275
D411,176	S *	6/1999	Shimazu	D13/182
6,110,285	A *	8/2000	Kitazawa et al.	118/715
6,163,015	A *	12/2000	Moore et al.	219/404
6,287,112	B1 *	9/2001	Van Voorst Vader et al.	432/258
6,454,865	B1 *	9/2002	Goodman et al.	118/728
6,536,608	B2 *	3/2003	Buckley	211/41.18
6,780,251	B2 *	8/2004	Tometsuka	118/725
6,811,040	B2 *	11/2004	Payne et al.	211/41.18
6,840,767	B2 *	1/2005	Goodman	432/253
7,207,763	B2 *	4/2007	Lee	414/217
D580,894	S *	11/2008	Sato	D13/182
7,455,734	B2 *	11/2008	Yamaguchi et al.	118/728

2002/0187023	A1 *	12/2002	Araki	414/160
2007/0157886	A1 *	7/2007	Elgar et al.	118/729
2008/0041820	A1 *	2/2008	Tong et al.	216/67

\* cited by examiner

*Primary Examiner*—Selina Sikder

(74) *Attorney, Agent, or Firm*—Smith, Gambrell & Russell, LLP

(57) **CLAIM**

The ornamental design for a wafer boat, as shown and described.

**DESCRIPTION**

FIG. 1 is a front view;

FIG. 2 is a partial enlarged perspective view of a bottom along 2—2 of the frontal view shown in FIG. 1;

FIG. 3 is a rear view;

FIG. 4 is a left side view the right side being a mirror image thereof;

FIG. 5 is a plan view;

FIG. 6 is a bottom view;

FIG. 7 is an enlarged bottom view; and,

FIG. 8 is a partially enlarged sectional view, along 2—2 of the front view shown in FIG. 1 and line 8—8 of the bottom view shown in FIG. 6, of the wafer boat in use.

Salients are formed on the bottom board of a wafer boat to get into reentrants of a heat insulating cylinder for manufacturing a semiconductor wafer, and prevent it from falling down in a setting condition. The portion shown in solid lines is my claimed design. The broken line showing in the figures is for illustrative purposes only and forms no part of the claimed design.

**1 Claim, 8 Drawing Sheets**

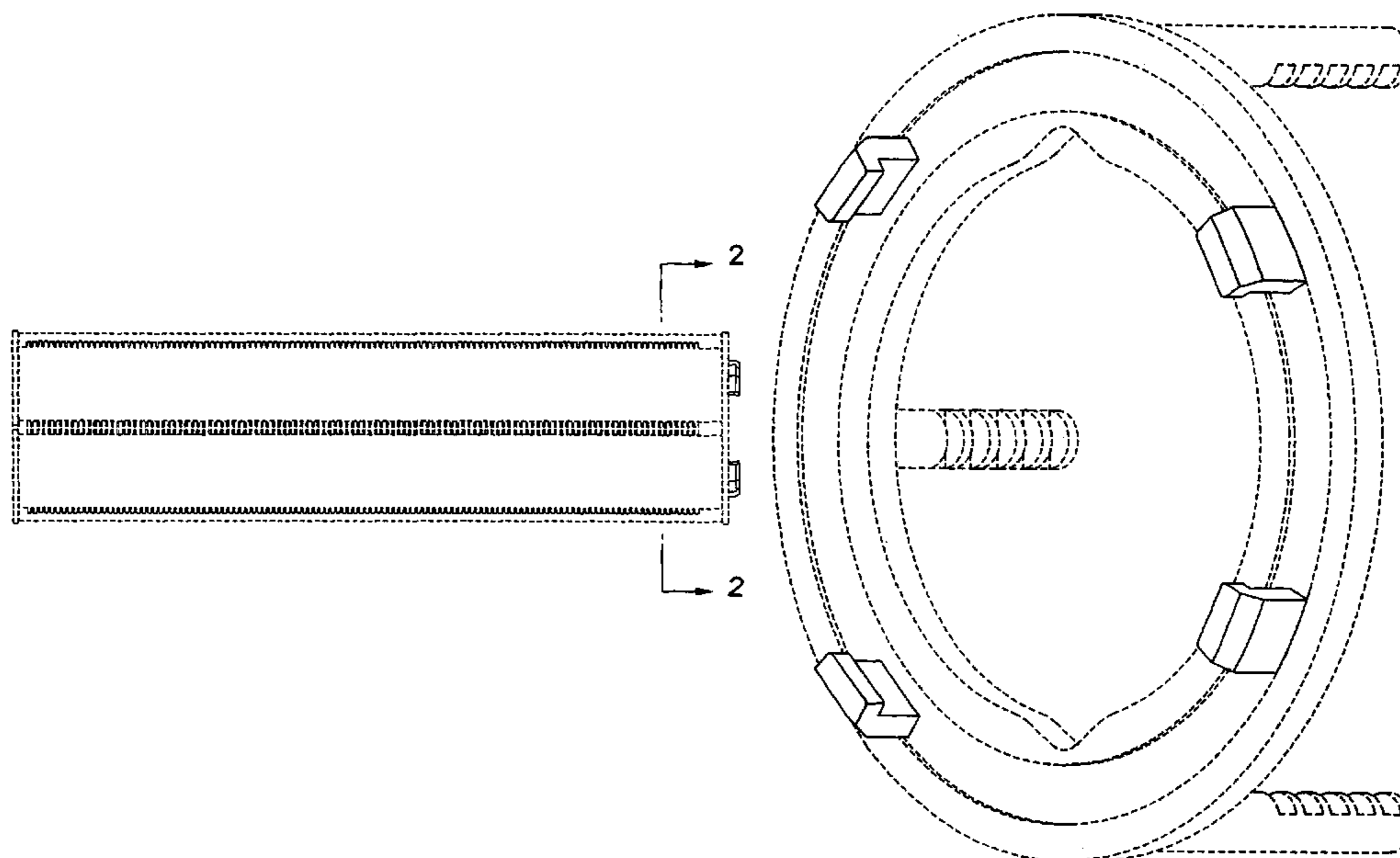


FIGURE 1

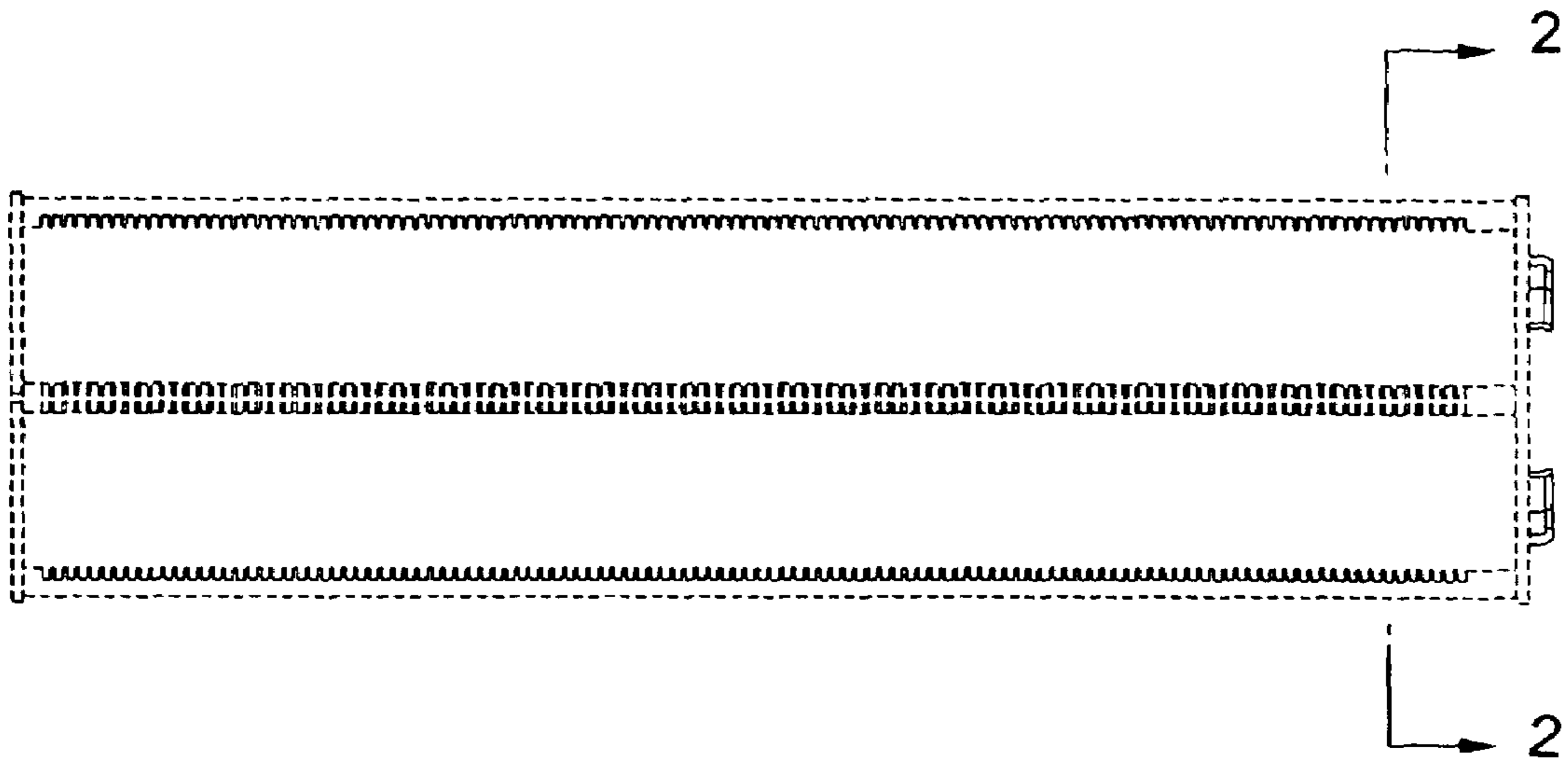
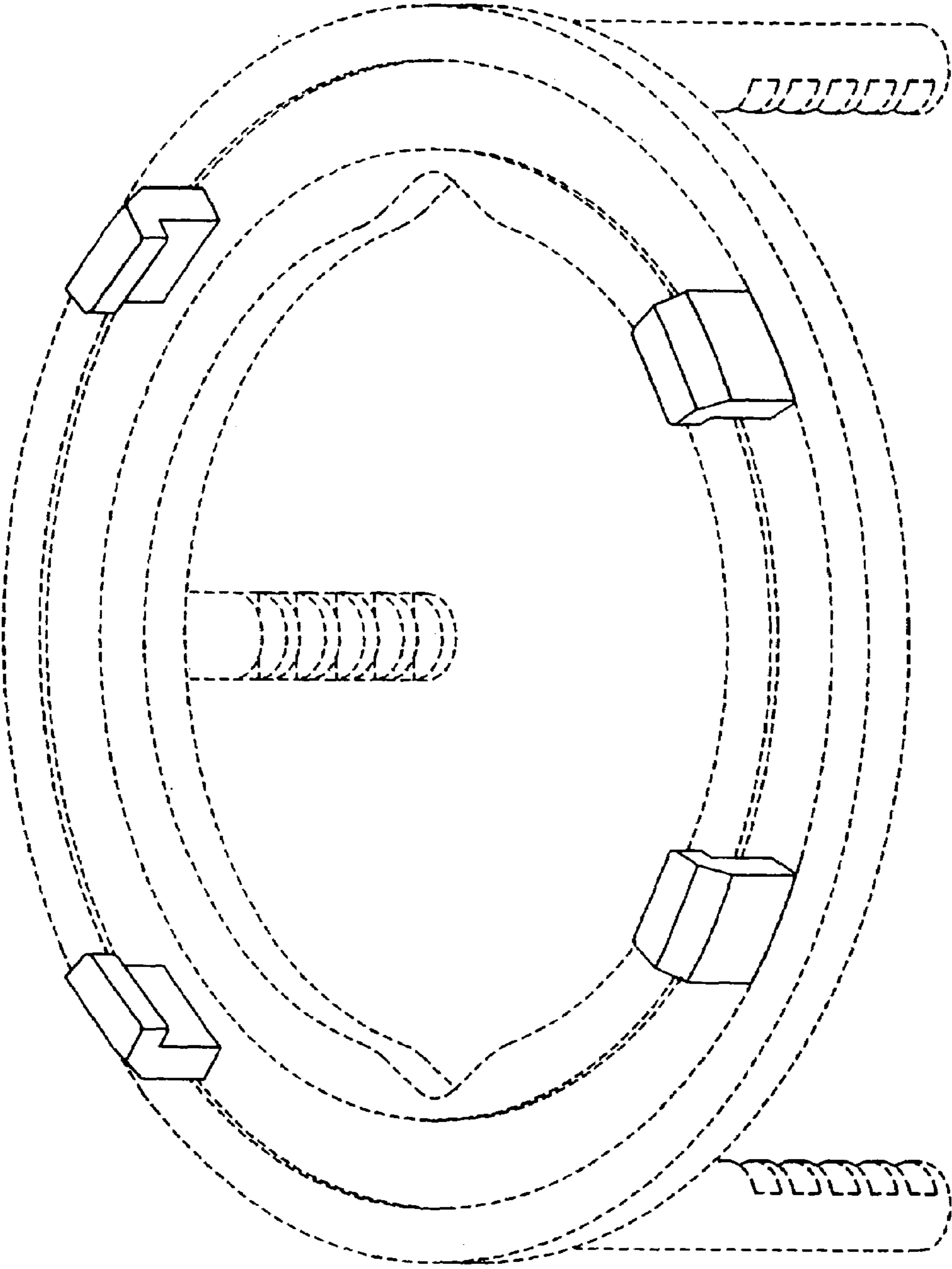


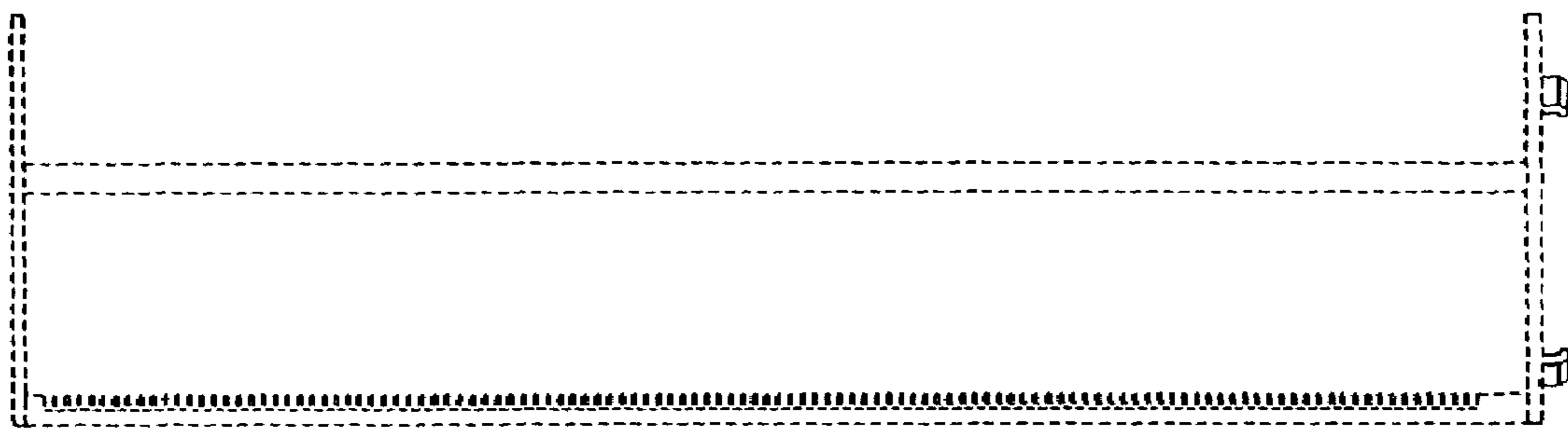
FIGURE 2



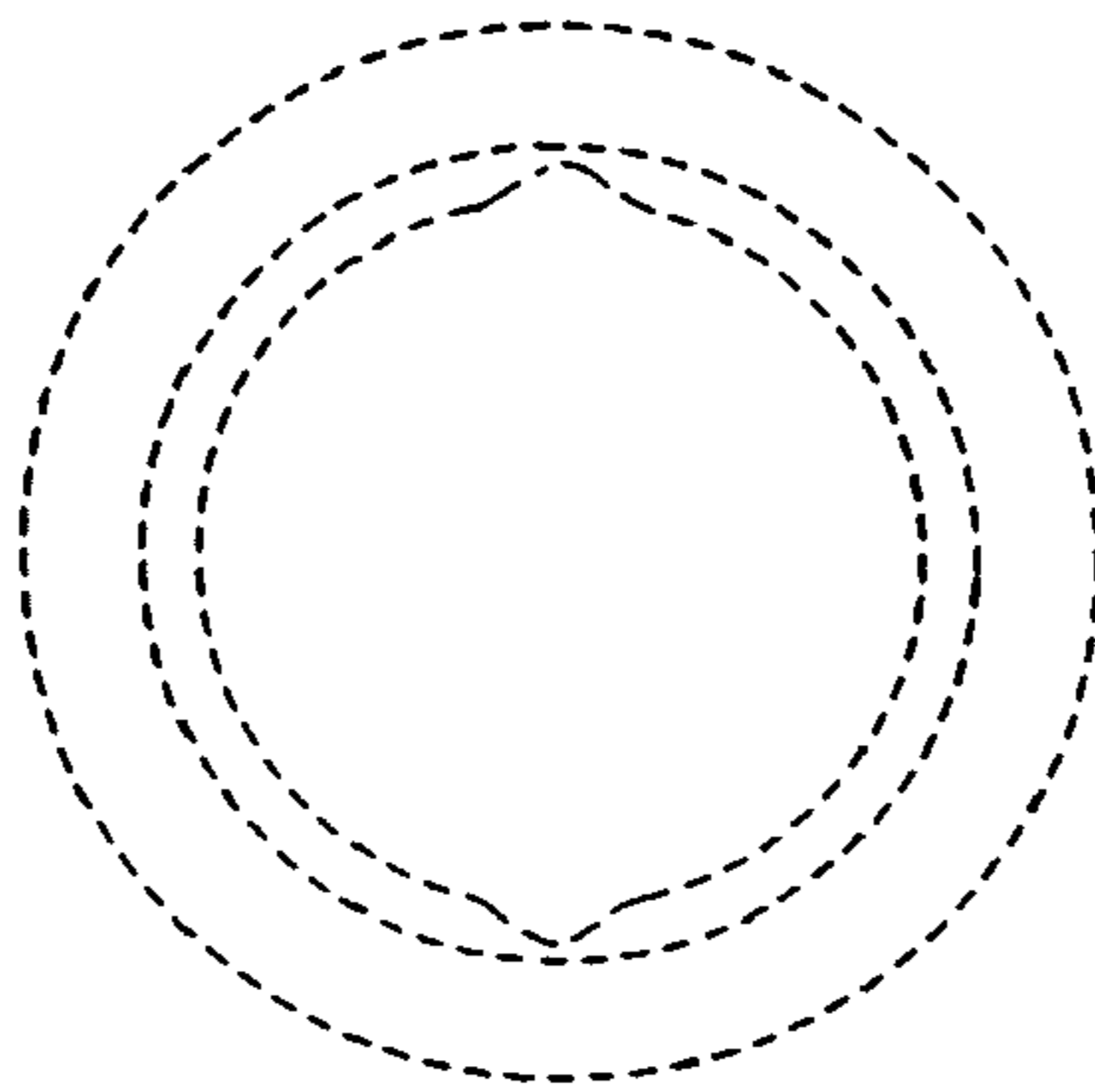
**FIGURE 3**



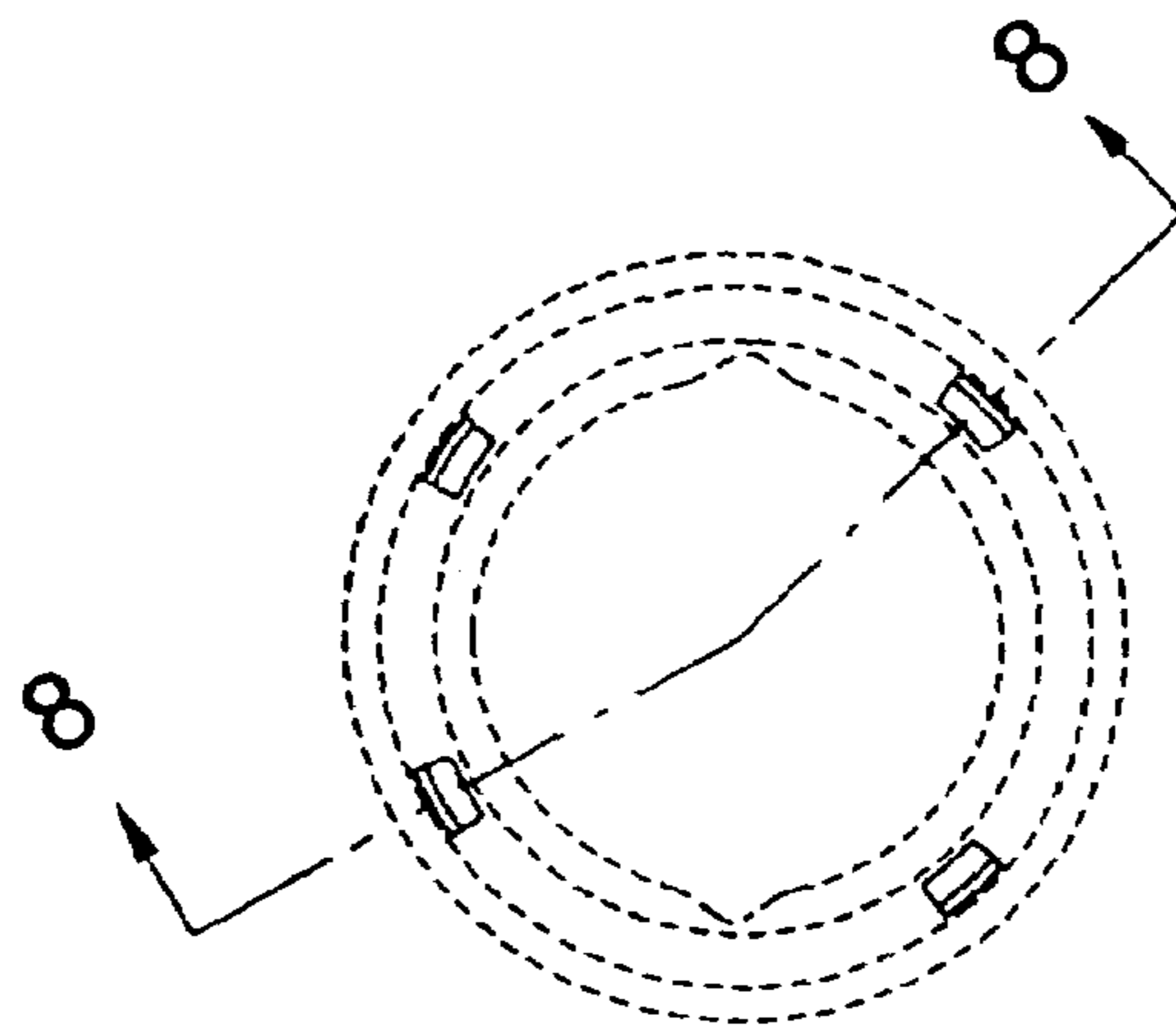
**FIGURE 4**



**FIGURE 5**



**FIGURE 6**



**FIGURE 7**

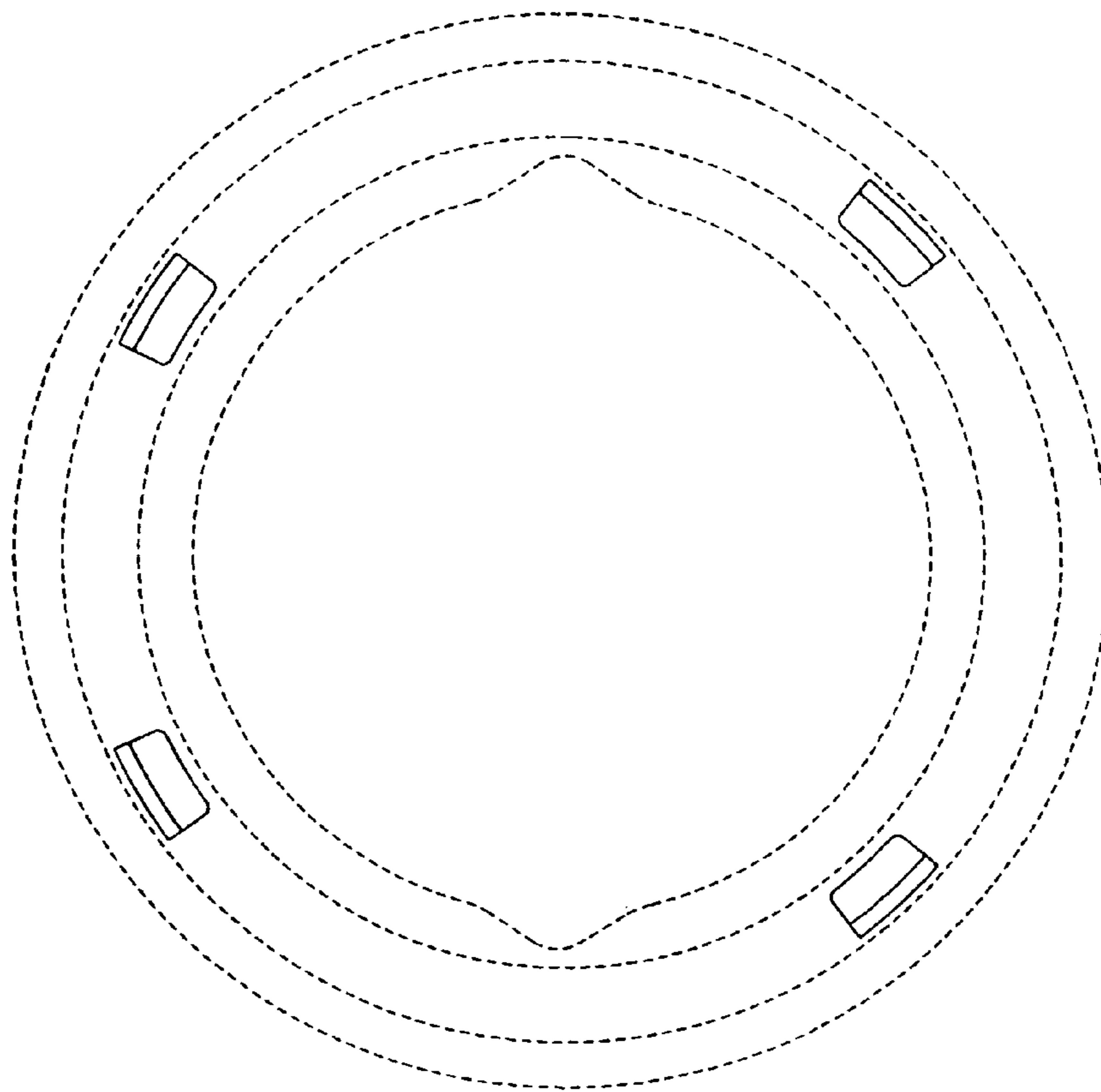




FIG. 8

