



US00D600215S

(12) **United States Design Patent**
Detemple et al.

(10) **Patent No.:** **US D600,215 S**
(45) **Date of Patent:** **** Sep. 15, 2009**

(54) **ELECTRICAL DEVICE**

(75) Inventors: **Thomas Detemple**, Planegg (DE); **Josef Graf**, Hahnbach (DE); **Peter Trautwein**, München (DE)

(73) Assignee: **Siemens Aktiengesellschaft**, Munich (DE)

(**) Term: **14 Years**

(21) Appl. No.: **29/313,208**

(22) Filed: **Dec. 16, 2008**

Related U.S. Application Data

(62) Division of application No. 29/286,039, filed on Apr. 20, 2007, now Pat. No. Des. 585,386.

(30) **Foreign Application Priority Data**

Mar. 5, 2007 (EM) 000690037

(51) **LOC (9) Cl.** **13-03**

(52) **U.S. Cl.** **D13/160**

(58) **Field of Classification Search** D13/137.3, D13/159, 160, 162, 178, 184; 200/17 R, 200/50.02, 50.26, 144 R, 147 R, 244, 304, 200/307, 308, 318, 330, 400, 401, 552; 218/157; 335/13, 16, 20, 35, 172, 202, 167; 361/93.3, 361/115, 173, 652, 673

See application file for complete search history.

(56) **References Cited**

U.S. PATENT DOCUMENTS

D270,530 S	9/1983	Bowden, Jr. et al.
D274,720 S	7/1984	Hannich et al.
D300,315 S	3/1989	Thomas
D315,333 S	3/1991	Barbier et al.
D317,906 S	7/1991	Winter et al.

(Continued)

FOREIGN PATENT DOCUMENTS

DE	M8803357.0	8/1989
DE	M9102519.2	2/1992
DE	M9105956.9	2/1992
DE	M9208145.2	4/1993
DE	M9400612.1	7/1994

(Continued)

Primary Examiner—Daniel D Bui
Assistant Examiner—Thomas J Johannes

(57) **CLAIM**

We claim the ornamental design for an electrical device, as shown and described.

DESCRIPTION

FIG. 1 is a front view of an electrical device showing a first embodiment of our new design;

FIG. 2 is a rear view thereof;

FIG. 3 is a top view thereof;

FIG. 4 is a bottom view thereof;

FIG. 5 is a right side view thereof;

FIG. 6 is a left side view thereof;

FIG. 7 is a perspective view thereof;

FIG. 8 is a front view of an electrical device showing a second embodiment of our new design;

FIG. 9 is a rear view thereof;

FIG. 10 is a top view thereof;

FIG. 11 is a bottom view thereof;

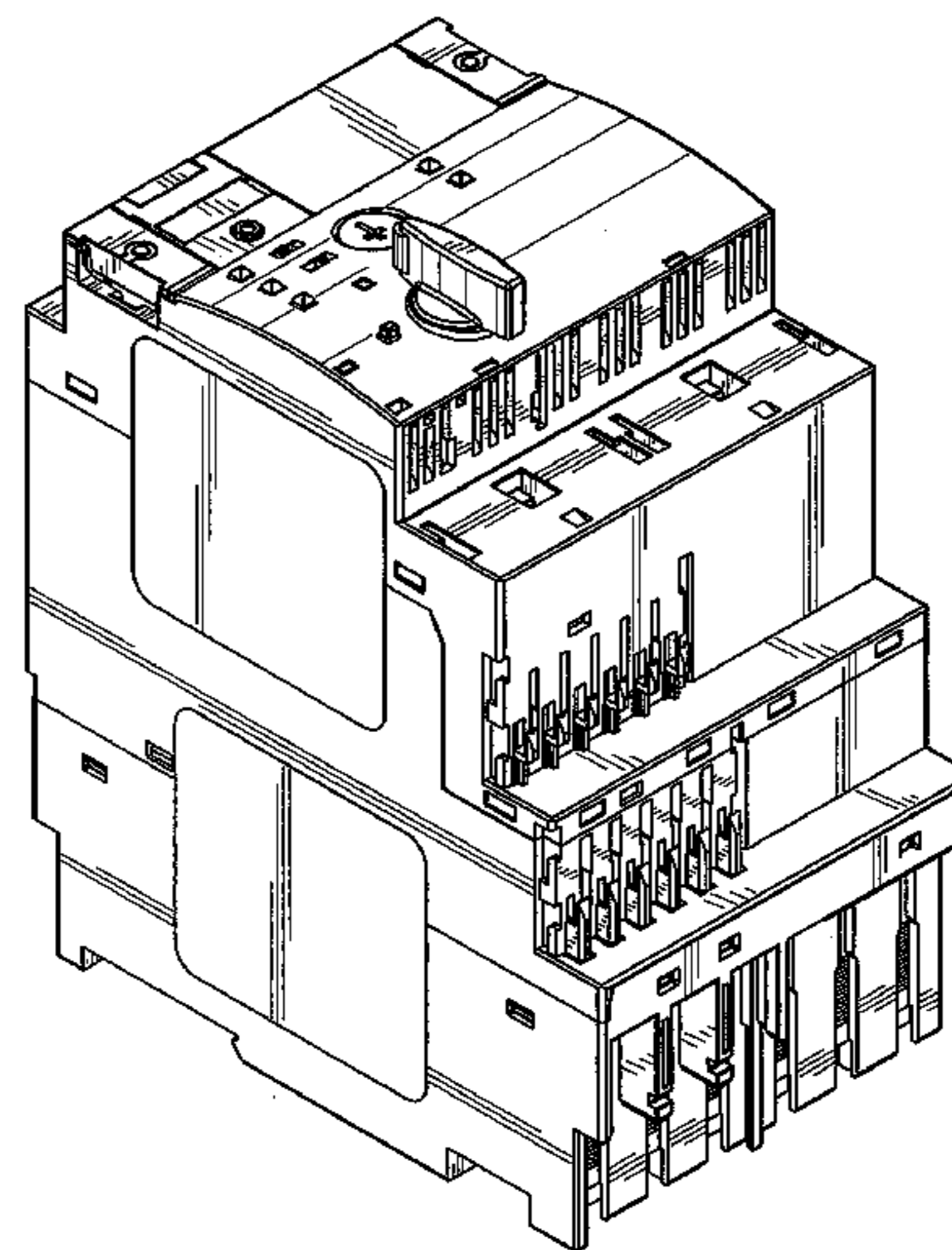
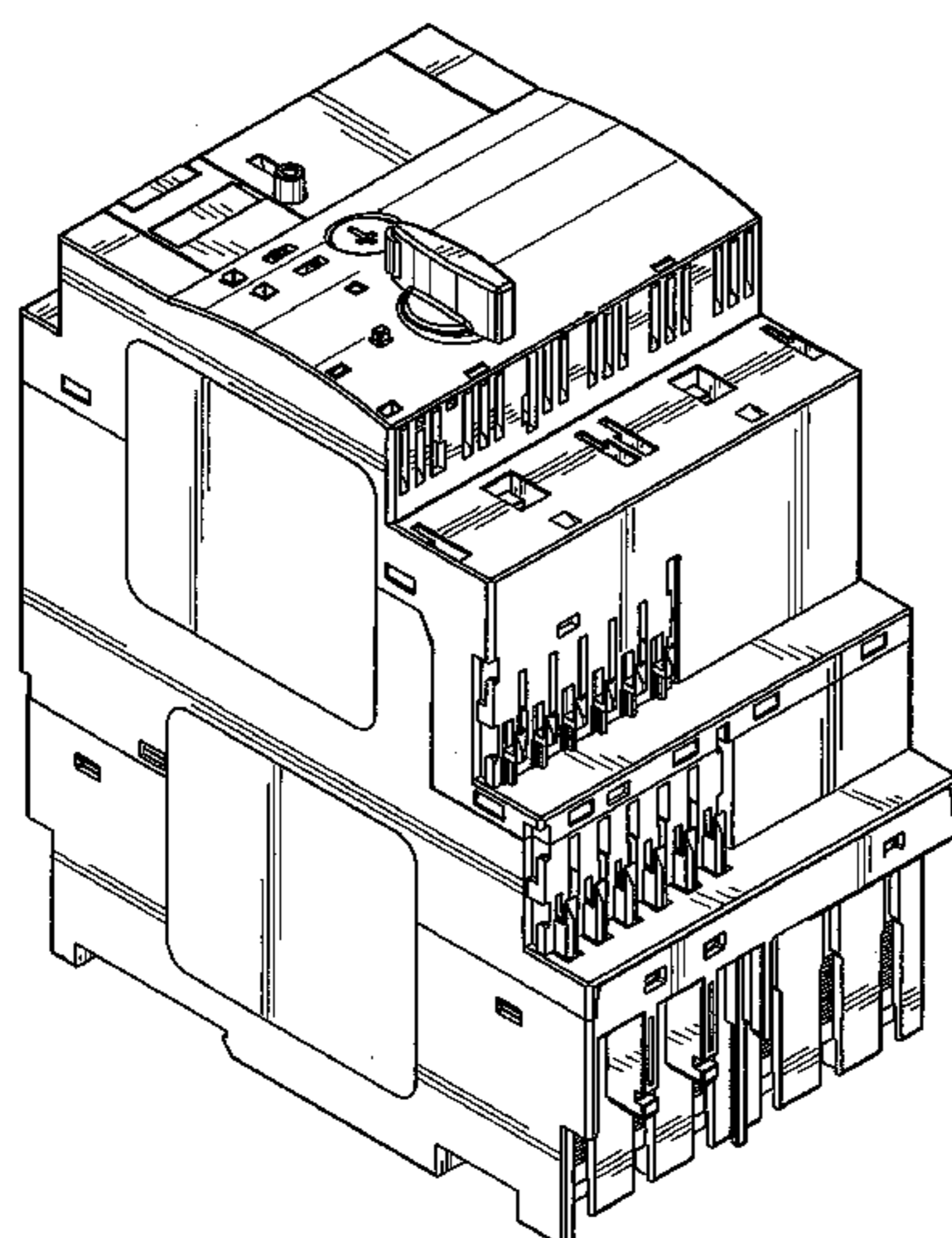
FIG. 12 is a right side view thereof;

FIG. 13 is a left side view thereof; and,

FIG. 14 is a perspective view hereof.

The broken line portion of the figure drawings is included to show unclaimed subject matter only and forms no part of the claimed design.

1 Claim, 14 Drawing Sheets



US D600,215 S

Page 2

U.S. PATENT DOCUMENTS

D318,460 S	7/1991	Heath et al.
D325,725 S	4/1992	Yamagata et al.
D334,174 S	3/1993	Hosogai et al.
D359,948 S	7/1995	Merlin
D367,041 S	2/1996	Alfaro et al.
D406,262 S	3/1999	Gonser
D429,690 S	8/2000	Fristedt
D442,146 S	5/2001	Greenberg et al.
D498,212 S	11/2004	Kim
D498,464 S	11/2004	Kim
D498,465 S	11/2004	Kim
D499,701 S	12/2004	Kim
D506,185 S	6/2005	Kim
D511,325 S	11/2005	Itano et al.
D519,462 S	4/2006	Kudo
D526,276 S	8/2006	Shiraishi et al.
D534,124 S	12/2006	Taguchi
D535,620 S	1/2007	Mace et al.
D536,626 S	1/2007	Azzola et al.

FOREIGN PATENT DOCUMENTS

DE	M9406333.8	12/1994
DE	M9410125.6	7/1995
DE	M9503956.2	3/1996
DE	M9506891.0	6/1996
DE	M9601629.9	7/1996
DE	M9607460.4	3/1997
DE	M9607461.2	3/1997
DE	M9703338.3	9/1997
DE	M9803323.9	12/1998
DE	49908587.6	2/2000
DE	49910815.9	5/2000
DE	40006777.3	12/2000
DE	40012013.5	5/2001
DE	40100845.2	7/2001
DE	40104514.5	11/2001
DE	40203672.7	10/2002
DE	40208043.2	2/2003
DE	40208724.1	2/2003
DE	40208419.5	3/2003
DE	40302727.6	9/2003
DE	40304637.8	10/2003
DE	40304638.6	10/2003
DE	40306783.9	2/2004
DE	40402562.5	10/2004
DE	40402564.1	10/2004
DE	40402563.3	11/2004
DE	40502261.1	8/2005
DE	40502656.0	8/2005
DE	40501379.5	10/2005
DE	40505546.3	4/2006
DE	40600175.8	5/2006
DE	40601608.9	9/2006
DE	40602249.6	9/2006
DE	40605979.9	5/2007
EP	000010301-0001	7/2003
EP	000010301-0002	7/2003
EP	000108428-0001	3/2004
EP	000111208-0001	3/2004
EP	000123476-0001	4/2004
EP	000142195-0001	6/2004

EP	000203468-0005	10/2004
EP	000341169-0014	7/2005
EP	000341169-0015	7/2005
EP	000341169-0016	7/2005
EP	000341169-0017	7/2005
EP	000345517-0001	7/2005
EP	000345517-0002	7/2005
EP	000345517-0003	7/2005
EP	000345517-0004	7/2005
EP	000345517-0005	7/2005
EP	000405550-0001	11/2005
EP	000262902-0001	12/2005
EP	000424080-0006	12/2005
EP	000424080-0007	12/2005
EP	000470851-0001	2/2006
EP	000515374-0001	6/2006
EP	000515374-0002	6/2006
EP	000515374-0003	6/2006
EP	000521901-0001	6/2006
EP	000521901-0002	6/2006
EP	000534508-0001	7/2006
EP	000547633-0001	8/2006
EP	000646310-0001	1/2007
EP	000646310-0002	1/2007
EP	000646310-0003	1/2007
EP	000646310-0004	1/2007
EP	000646310-0005	1/2007
EP	000646310-0006	1/2007
EP	000646310-0007	1/2007
EP	000646310-0008	1/2007
EP	000646310-0009	1/2007
EP	000646310-0010	1/2007
EP	000646310-0011	1/2007
EP	000684949-0001	3/2007
EP	000684949-0002	3/2007
EP	000684949-0003	3/2007
EP	000684949-0004	3/2007
EP	000684949-0005	3/2007
EP	000684949-0006	3/2007
WO	DM/008100	1/1987
WO	DM/025819	4/1993
WO	DM/034581	11/1995
WO	DM/039347	2/1997
WO	DM/040859	7/1997
WO	DM/043878	4/1998
WO	DM/051120	5/2000
WO	DM/051954	8/2000
WO	DM/052336	9/2000
WO	DM/052337	9/2000
WO	DM/053832	1/2001
WO	DM/054109	2/2001
WO	DM/054992	3/2001
WO	DM/055273	4/2001
WO	DM/058393	2/2002
WO	DM/061377	10/2002
WO	DM/062454	2/2003
WO	DM/062457	2/2003
WO	DM/062779	3/2003
WO	DM/064134	9/2003
WO	DM/064335	10/2003
WO	DM/064393	11/2003
WO	DM/067031	3/2006

FIG. 1

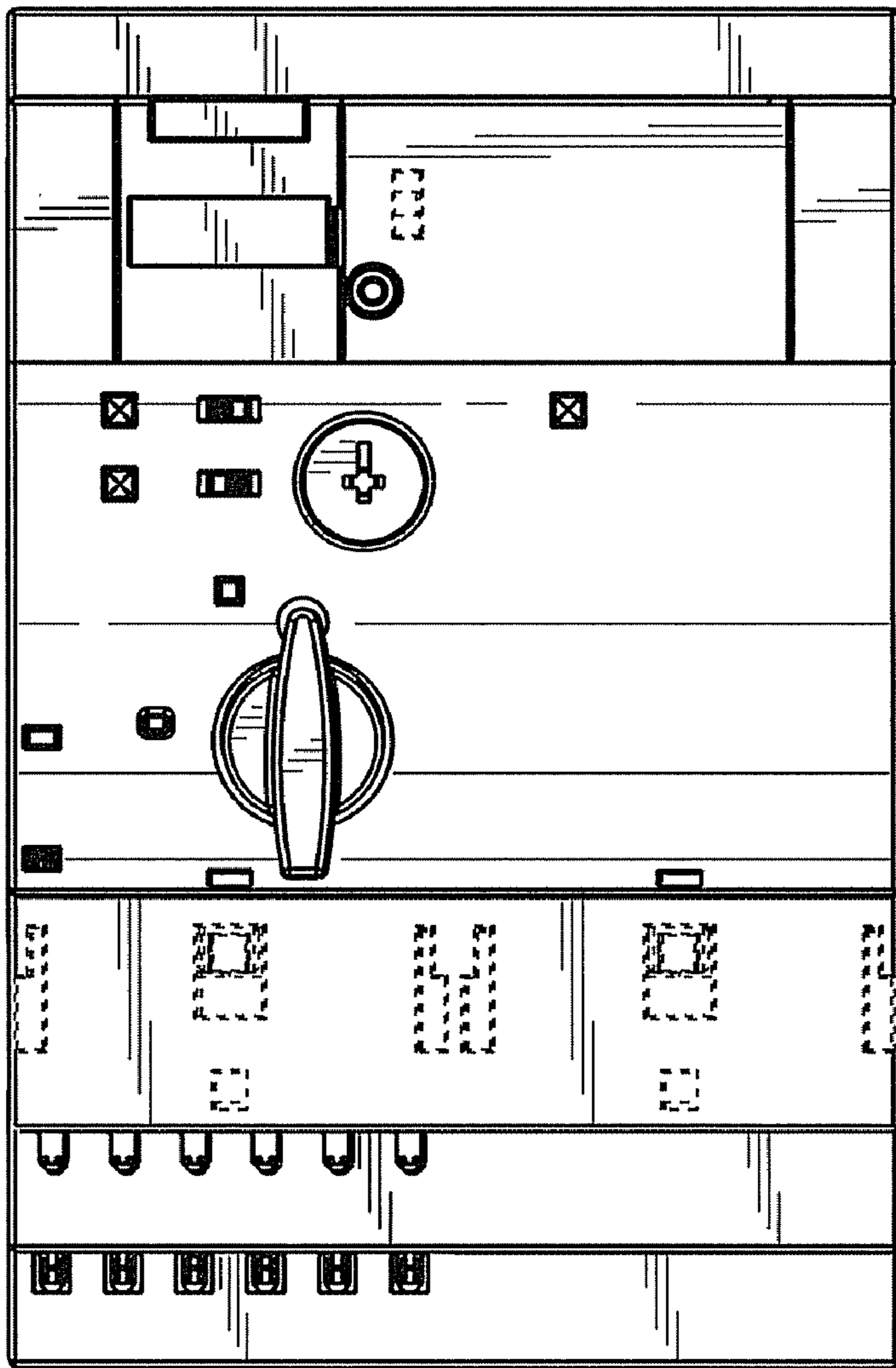


FIG. 2

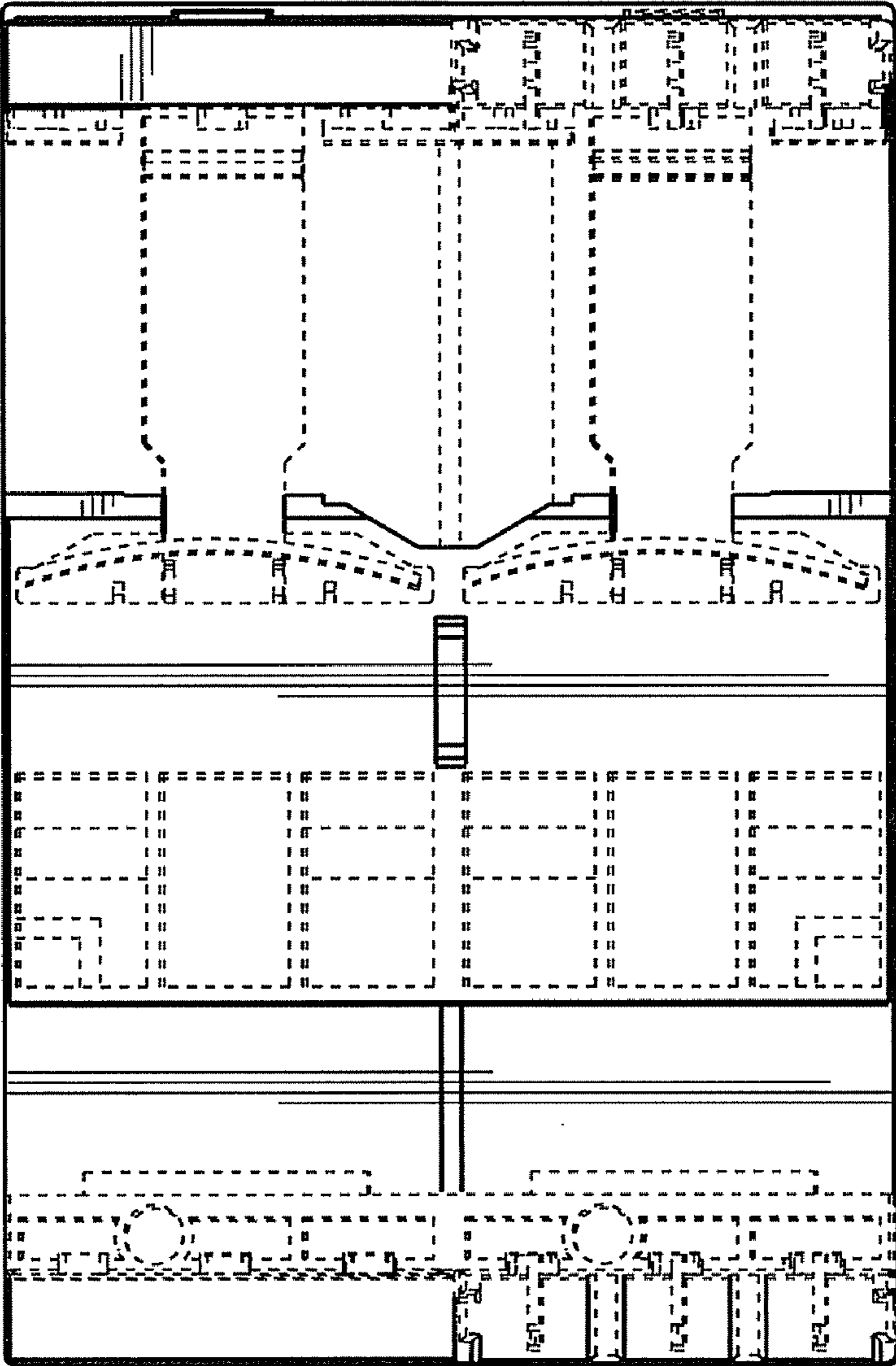


FIG. 3

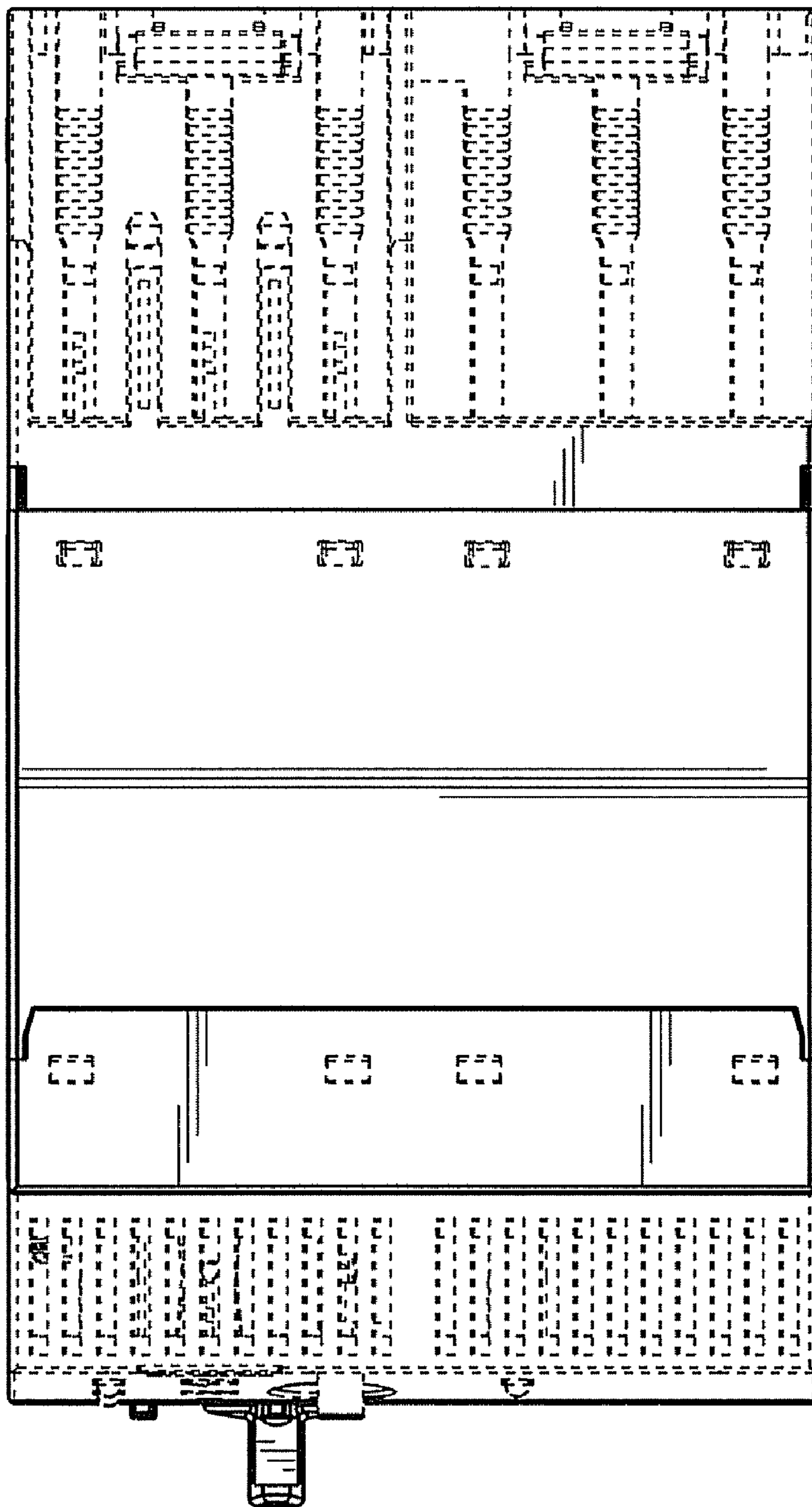


FIG. 4

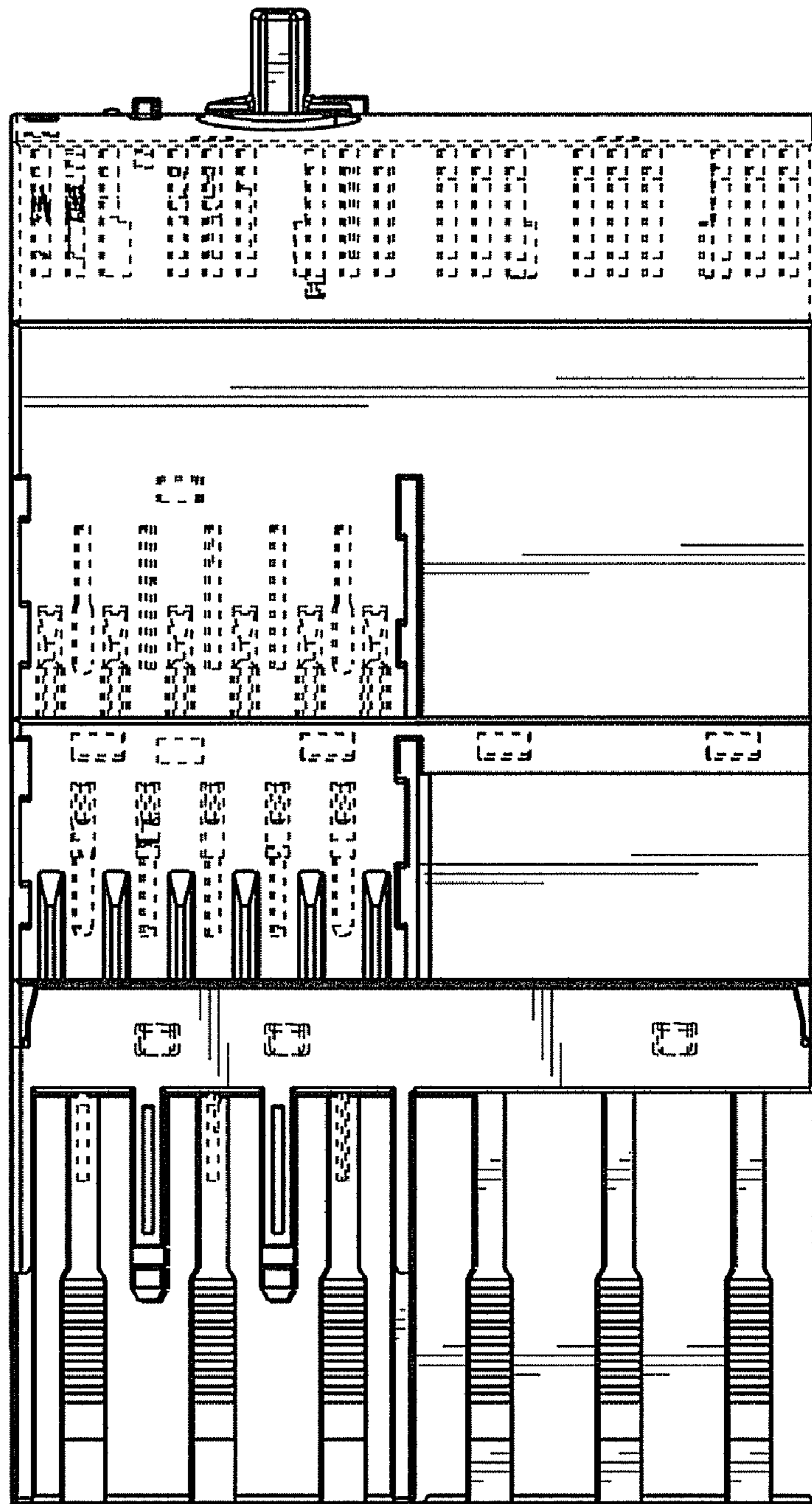


FIG. 5

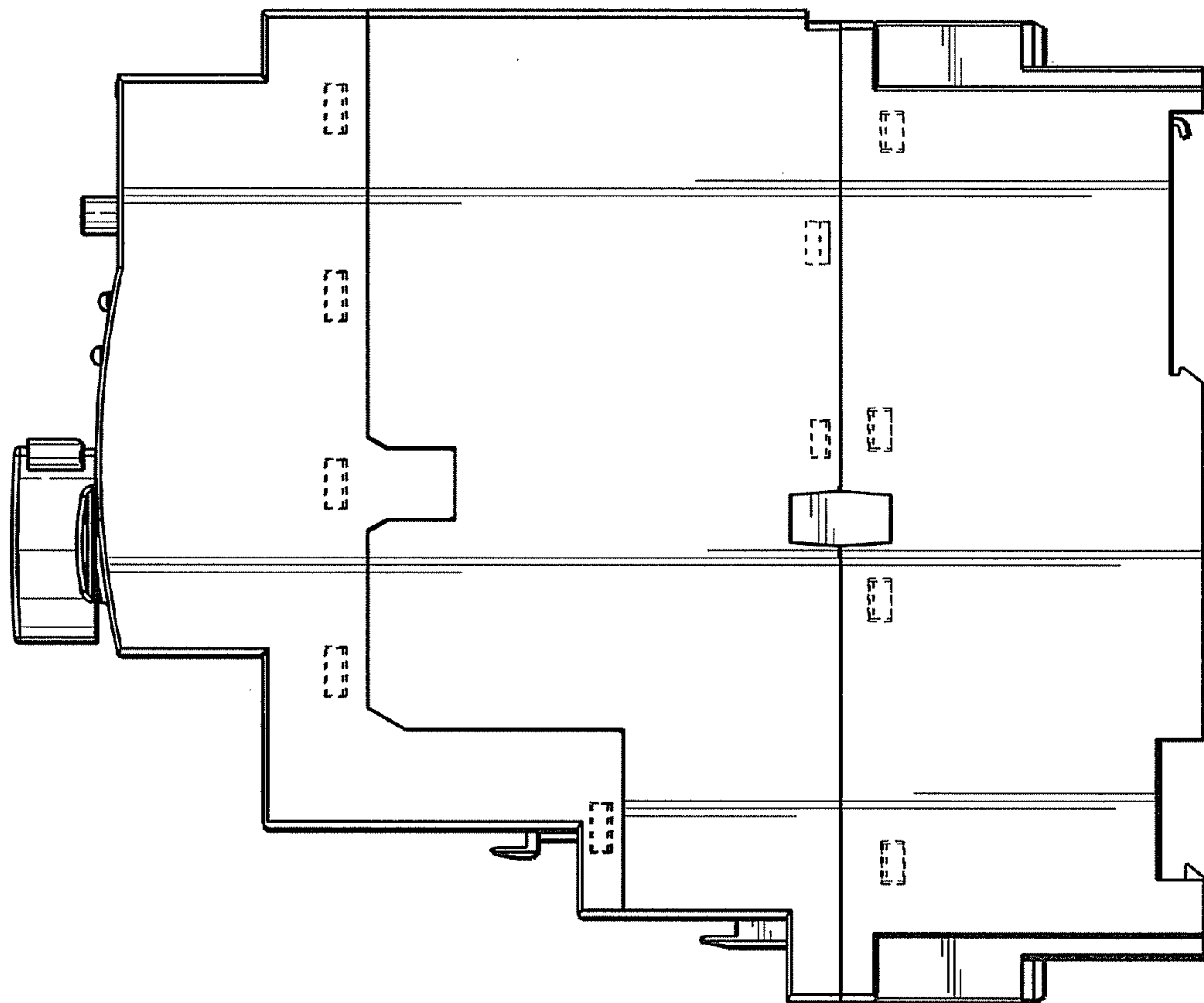


FIG. 6

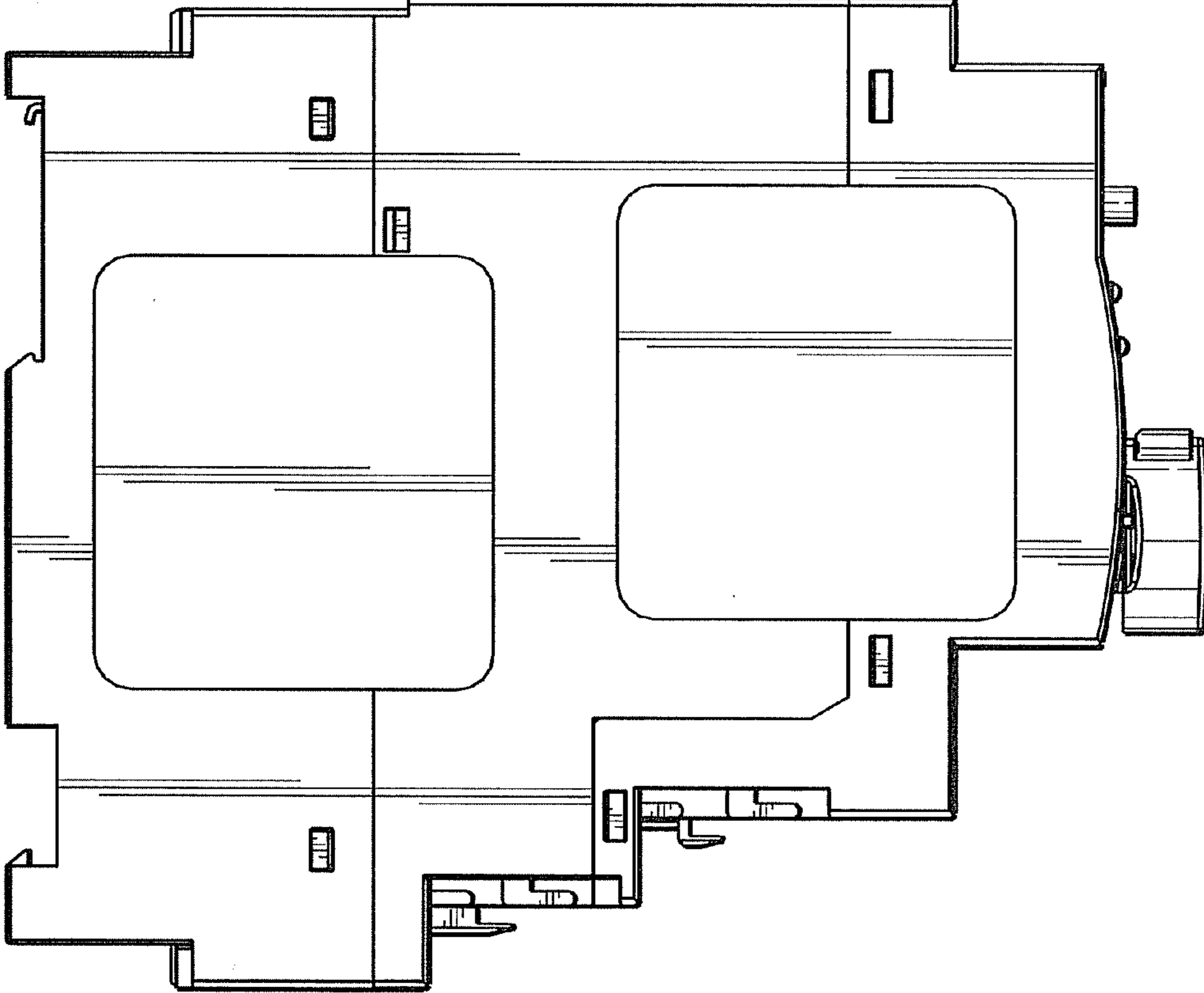


FIG. 7

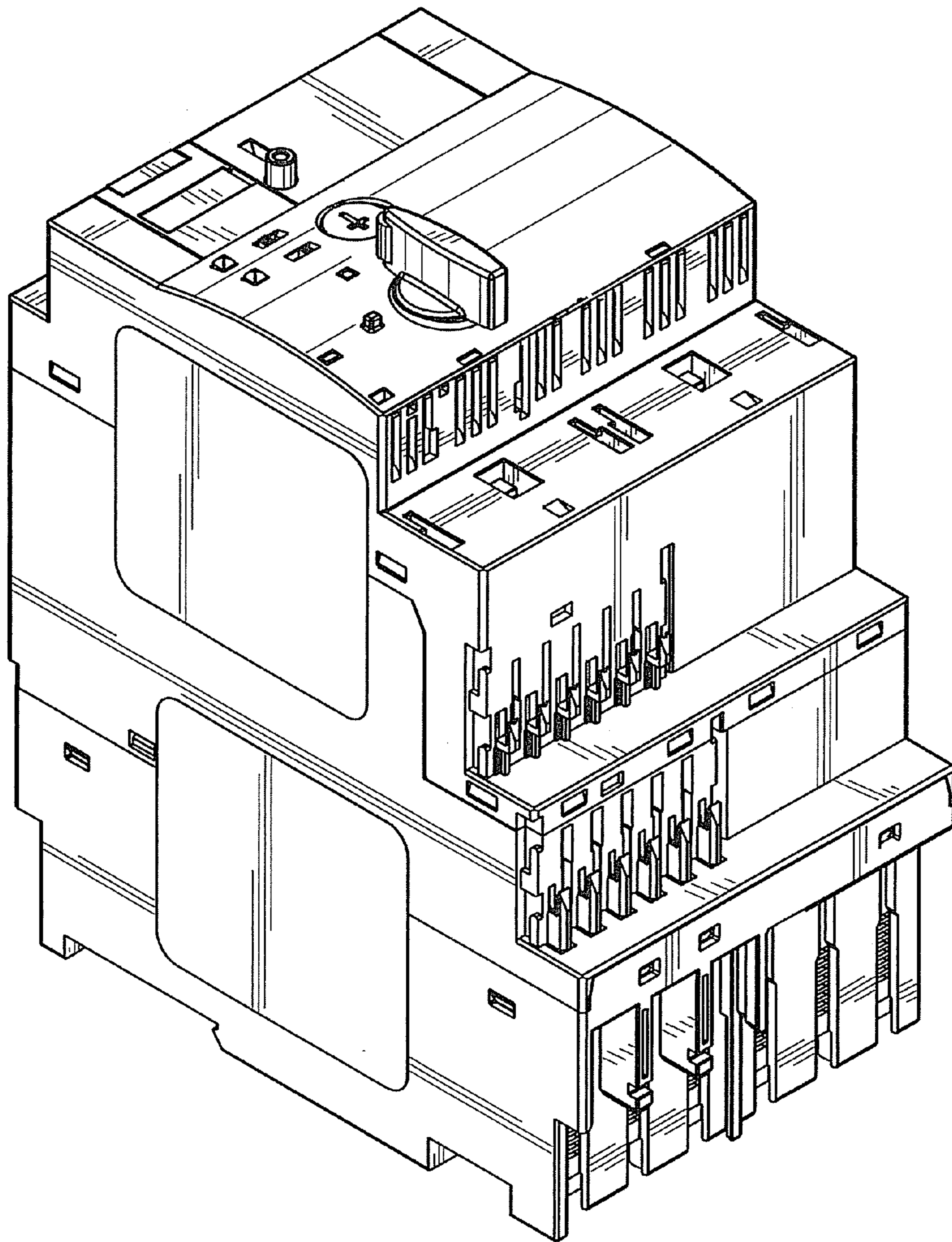


FIG. 8

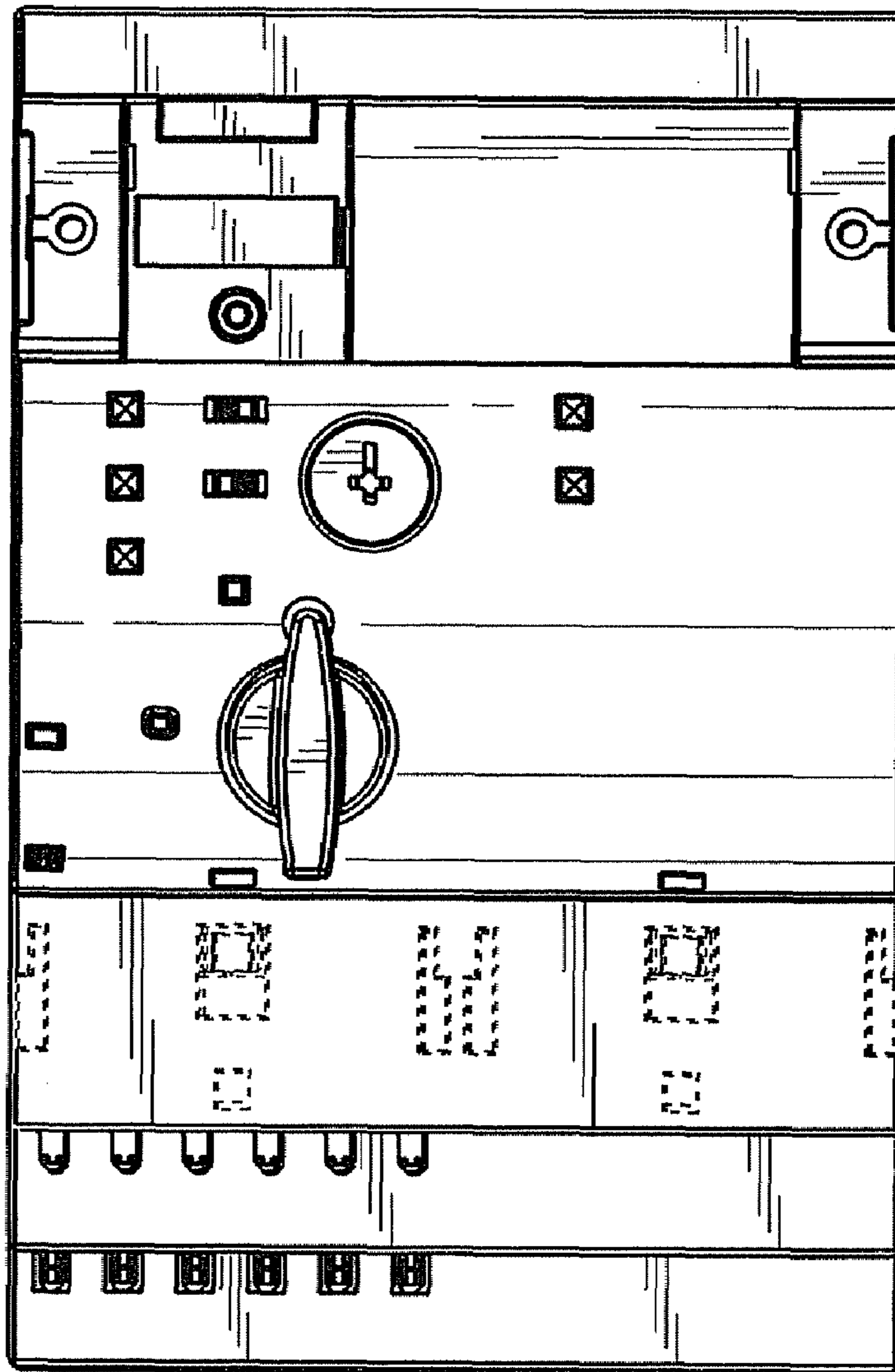


FIG. 9

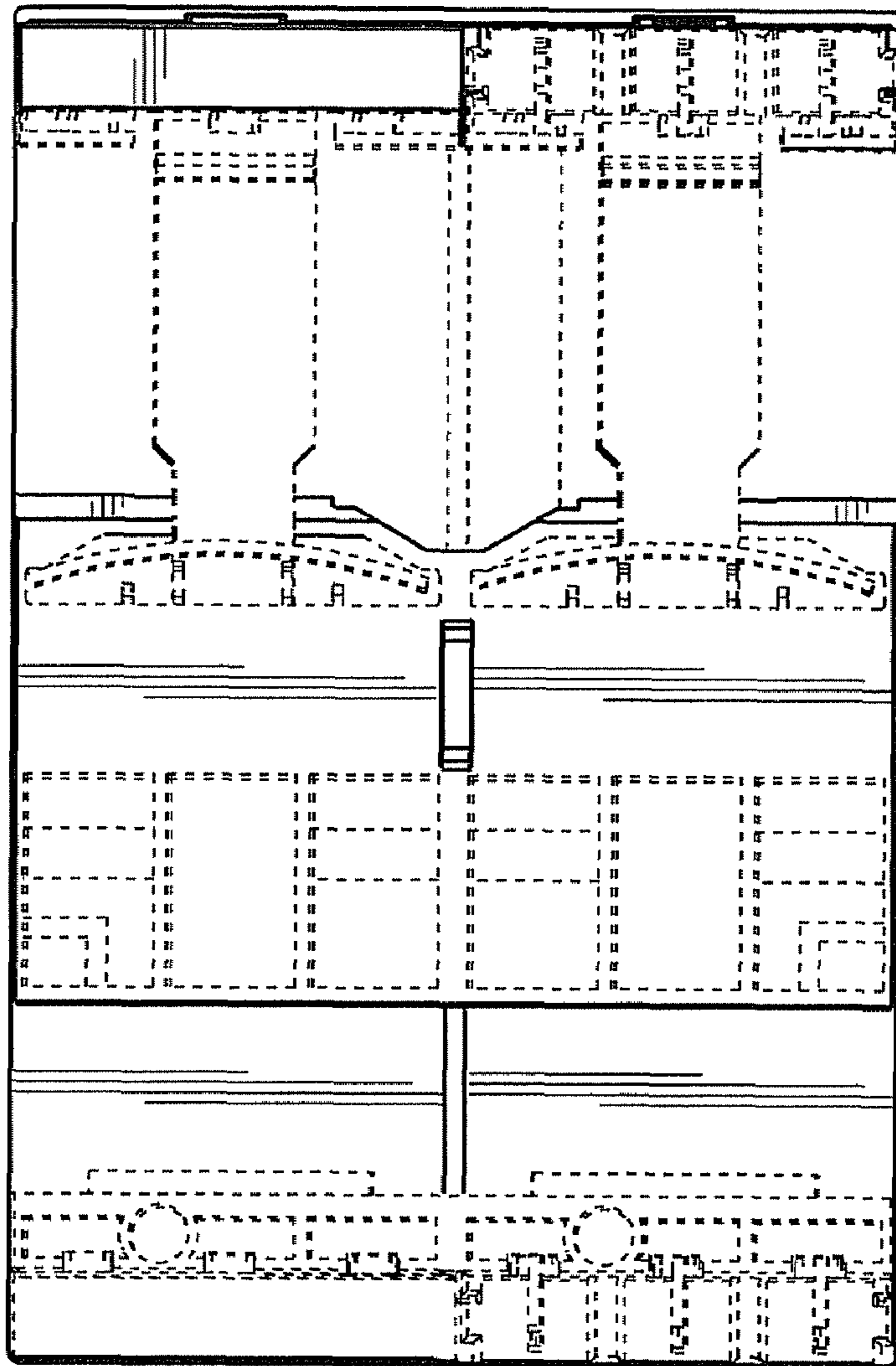


FIG. 10

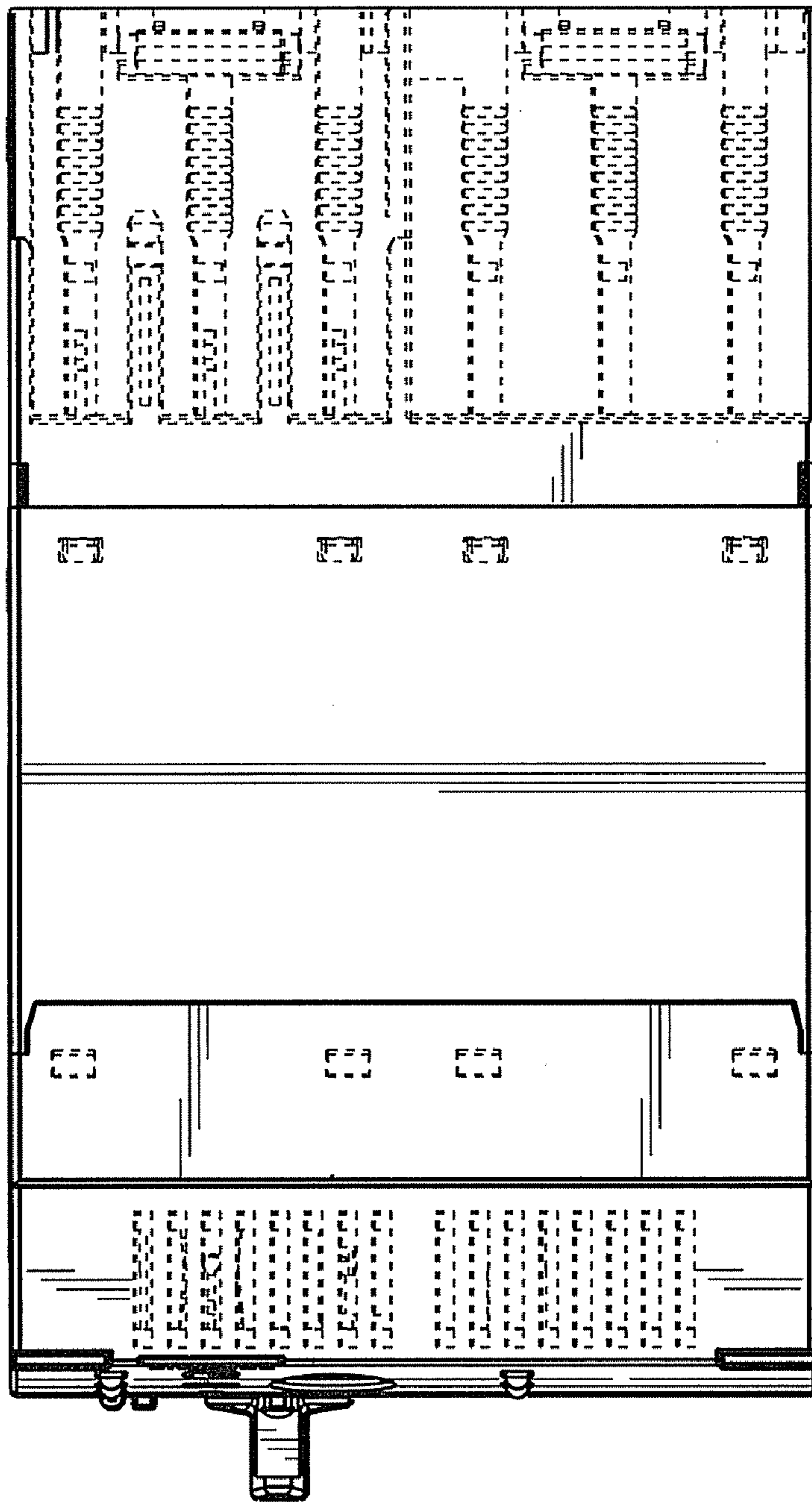


FIG. 11

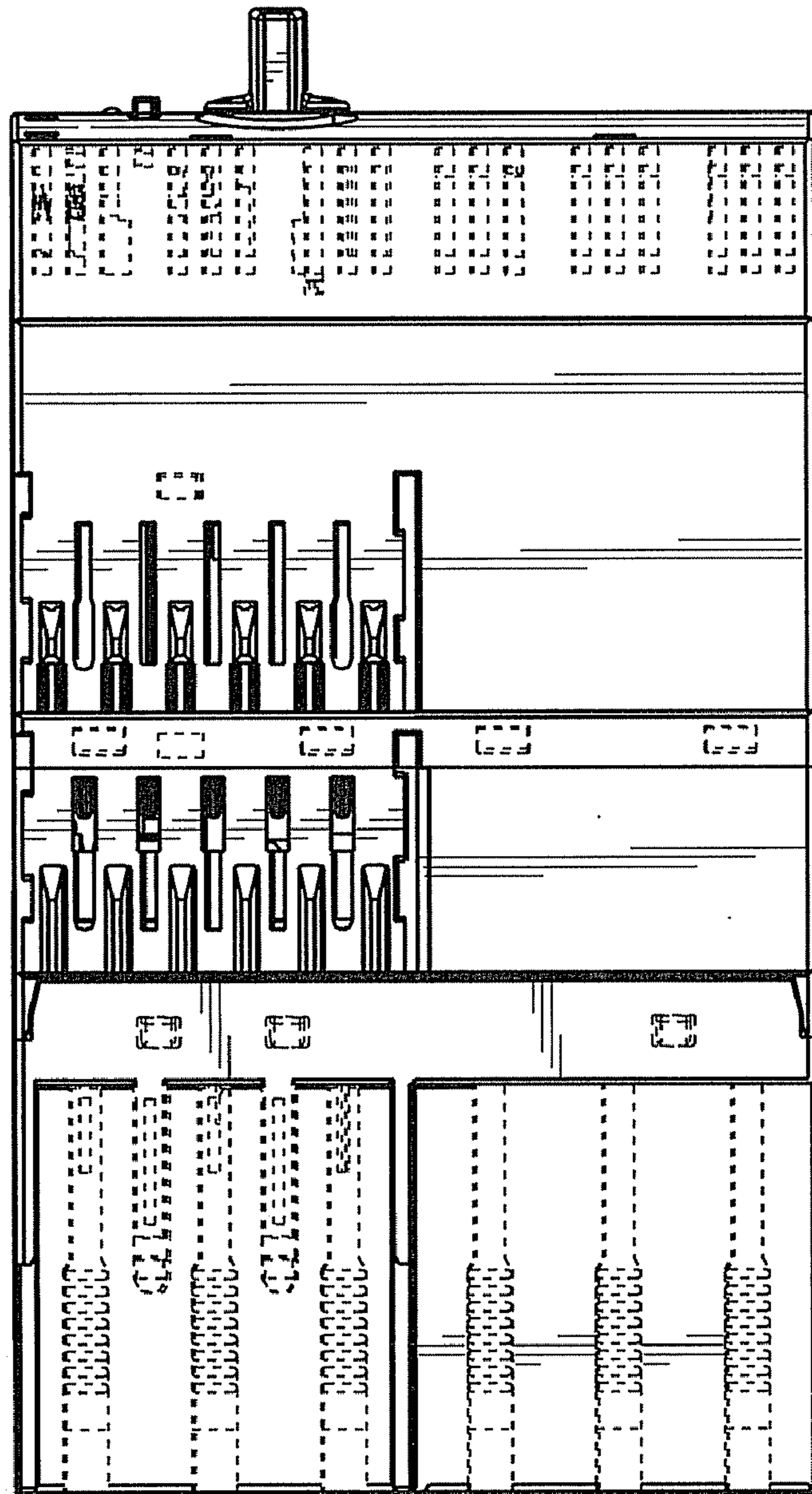


FIG. 12

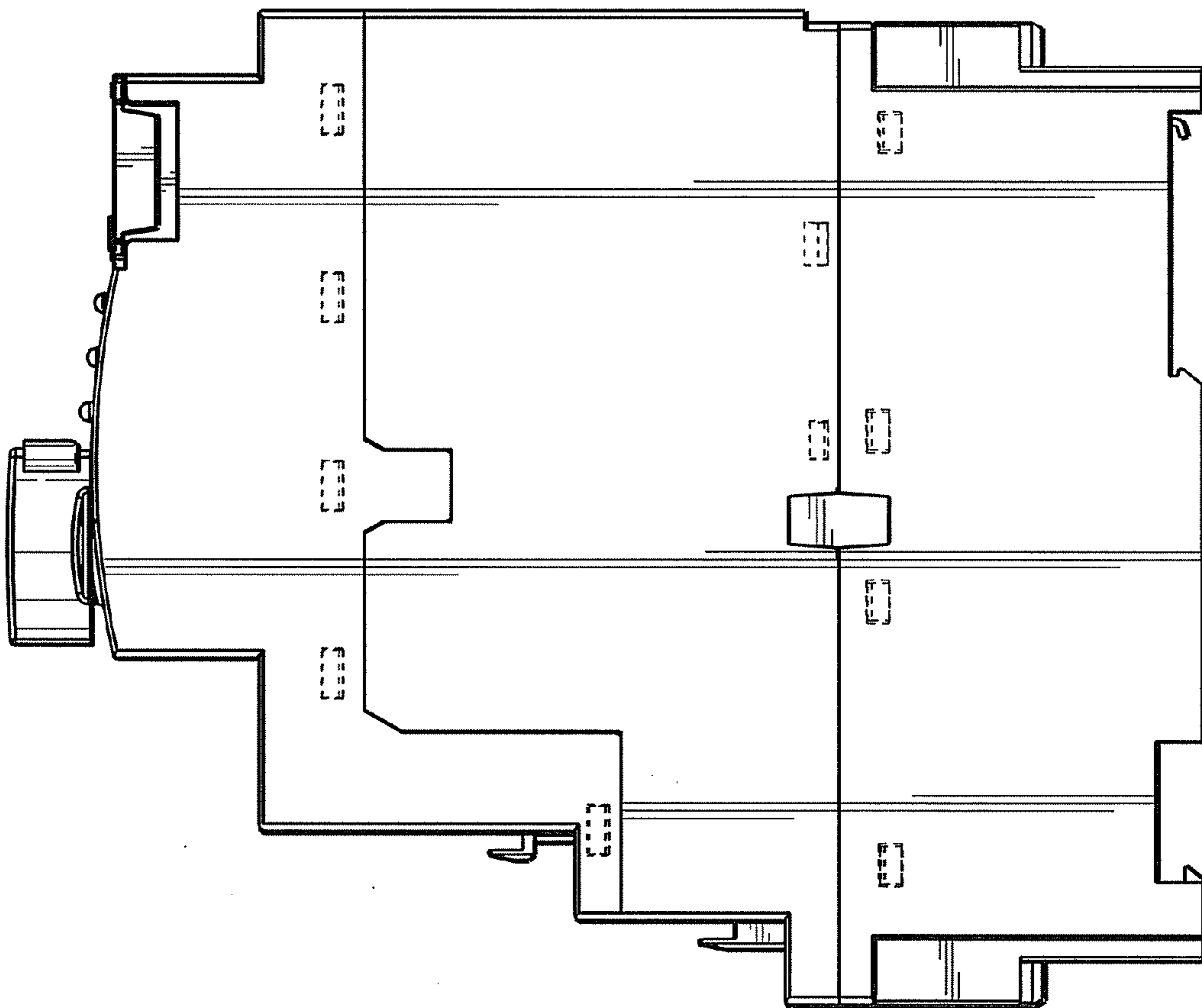


FIG. 13

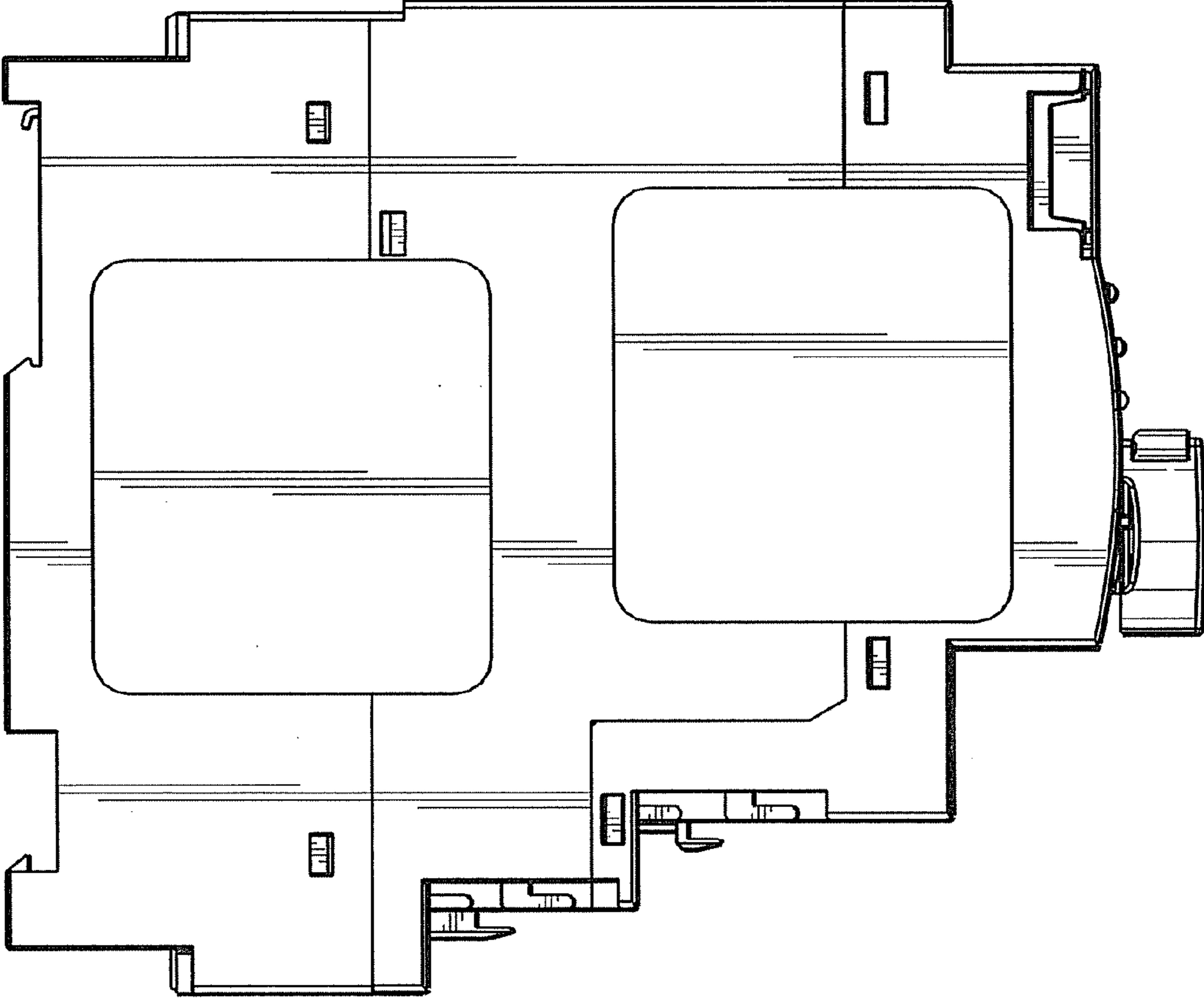


FIG. 14

