



(12) **United States Design Patent**  
**Strickland, Jr.**

(10) **Patent No.:** **US D600,212 S**  
(45) **Date of Patent:** **\*\* Sep. 15, 2009**

(54) **ELECTRICAL CONNECTOR**

- (75) Inventor: **Carl Craig Strickland, Jr.**, Kinston, NC (US)
- (73) Assignee: **Cooper Technologies Company**, Houston, TX (US)
- (\*\*) Term: **14 Years**
- (21) Appl. No.: **29/322,944**
- (22) Filed: **Aug. 14, 2008**

**Related U.S. Application Data**

- (62) Division of application No. 29/299,112, filed on Dec. 19, 2007, now Pat. No. Des. 584,227.

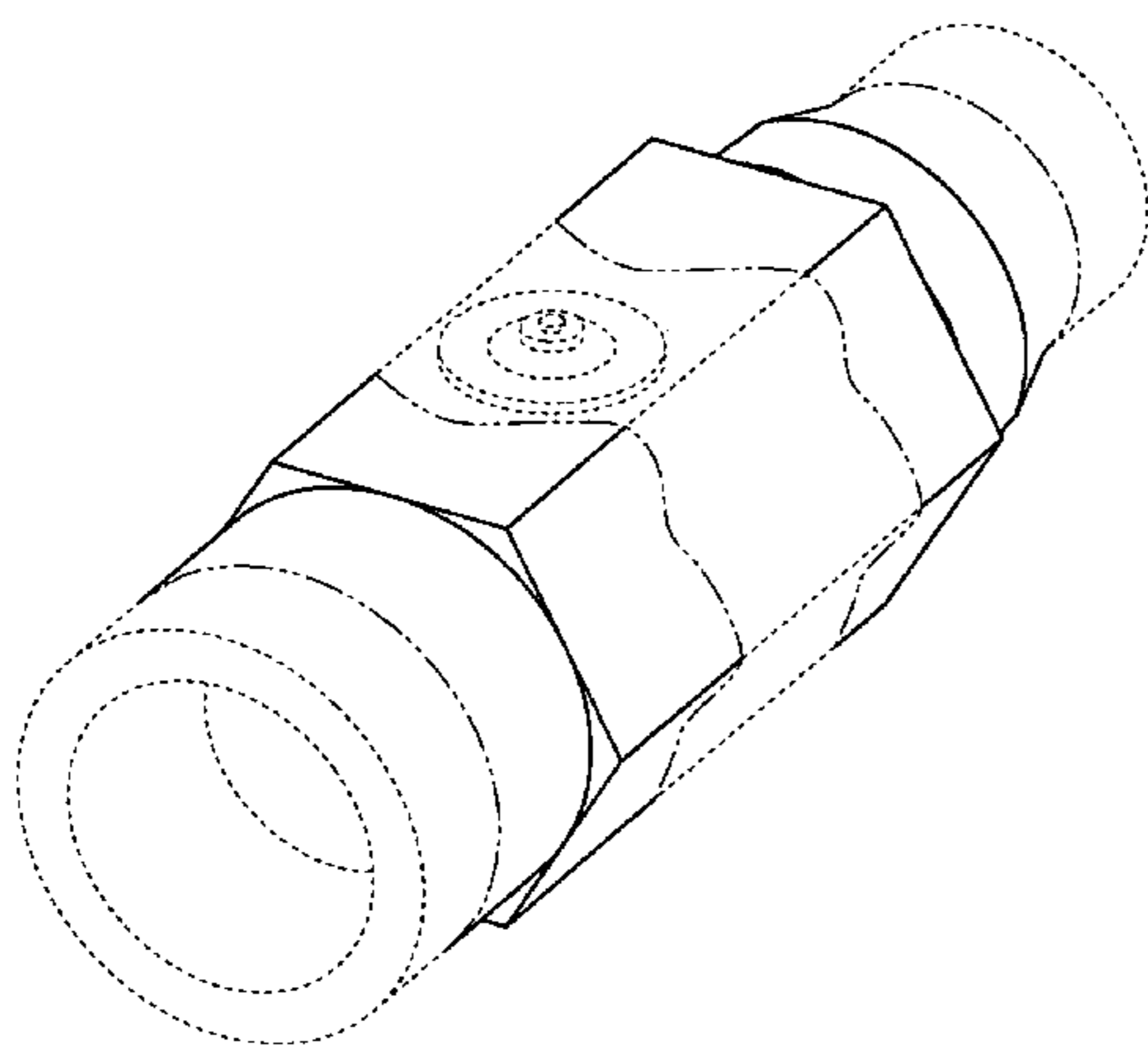
- (51) **LOC (9) Cl.** ..... **13-03**
- (52) **U.S. Cl.** ..... **D13/154; D13/133**
- (58) **Field of Classification Search** ..... D13/123, D13/133, 146, 147, 149, 151, 153, 154, 184, D13/199; 439/86, 180, 278, 374, 378, 380, 439/488-491, 527, 578, 585, 752, 825-828, 439/834, 851, 856; D23/259-262; D8/29  
See application file for complete search history.

(56) **References Cited**

**U.S. PATENT DOCUMENTS**

D33,957 S *	1/1901	Fargo	.....	D23/262
D49,474 S *	8/1916	Thomas	.....	D23/262
2,694,328 A *	11/1954	Lafreniere	.....	81/53.2
3,895,466 A *	7/1975	Melton	.....	29/890.14
4,159,667 A	7/1979	Nordstrom		
4,408,821 A	10/1983	Forney, Jr.		
D301,722 S *	6/1989	Sachs	.....	D20/22
5,487,681 A *	1/1996	Star et al.	.....	439/581
5,499,934 A	3/1996	Jacobsen et al.		
5,934,937 A *	8/1999	McCarthy	.....	439/583
6,080,933 A	6/2000	Gretz		
D437,537 S *	2/2001	Carter, Jr.	.....	D8/29

(Continued)



**OTHER PUBLICATIONS**

[http://www.smallparts.com/Parker-Stainless-Fittings-Female-Coupling/dp/B000FMWQVY?ie=UTF8&qid=1227051754&pf\\_rd\\_r=109JYYRXZDSE6M8JC7C4&pf\\_rd\\_p=463385991&pf\\_rd\\_i=0&sr=1-2&pf\\_rd\\_s=center-3&pf\\_rd\\_m=AIUBT5HP6PMAF&pf\\_rd\\_t=301](http://www.smallparts.com/Parker-Stainless-Fittings-Female-Coupling/dp/B000FMWQVY?ie=UTF8&qid=1227051754&pf_rd_r=109JYYRXZDSE6M8JC7C4&pf_rd_p=463385991&pf_rd_i=0&sr=1-2&pf_rd_s=center-3&pf_rd_m=AIUBT5HP6PMAF&pf_rd_t=301), 2008.\*

(Continued)

*Primary Examiner*—Daniel D Bui  
*Assistant Examiner*—Thomas J Johannes  
(74) *Attorney, Agent, or Firm*—SAIDMAN DesignLaw Group

(57) **CLAIM**

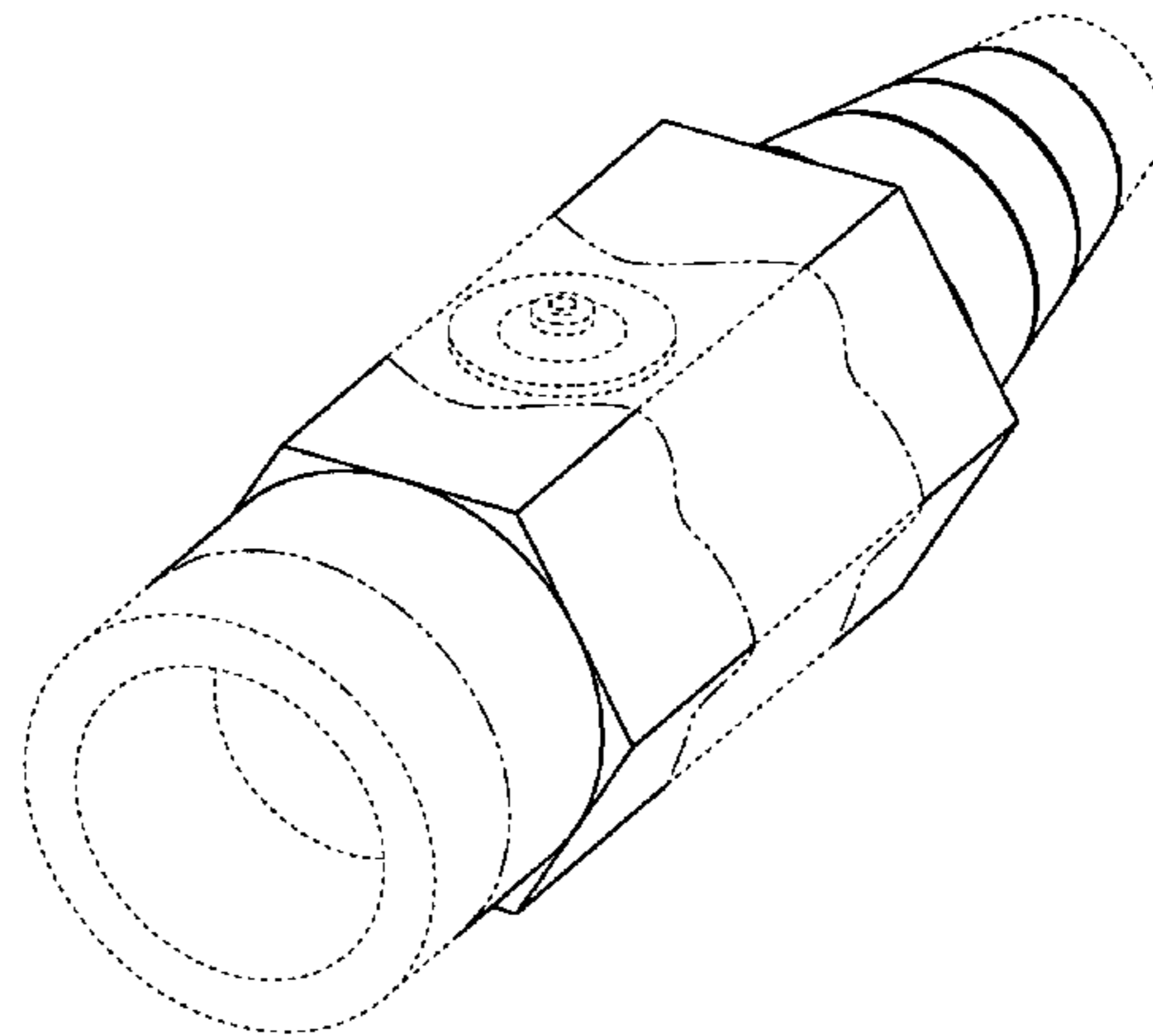
The ornamental design for an electrical connector, as shown and described.

**DESCRIPTION**

- FIG. 1 is a perspective view of an electrical connector showing my new design;
- FIG. 2 is a front view thereof, the rear view being a mirror image;
- FIG. 3 is a top view thereof, the bottom view being a mirror image;
- FIG. 4 is a left end view thereof;
- FIG. 5 is a right end view thereof;
- FIG. 6 is perspective view thereof, showing an alternate usage environment;
- FIG. 7 is a front view thereof, the rear view being a mirror image;
- FIG. 8 is a top view thereof, the bottom view being a mirror image;
- FIG. 9 is a left end view thereof; and,
- FIG. 10 is a right end view thereof.

The dotted broken lines are environmental and form no part of the claimed design. The dash-dot-dot lines indicate boundaries of the claimed design, and form no part thereof.

**1 Claim, 6 Drawing Sheets**



# US D600,212 S

Page 2

## U.S. PATENT DOCUMENTS

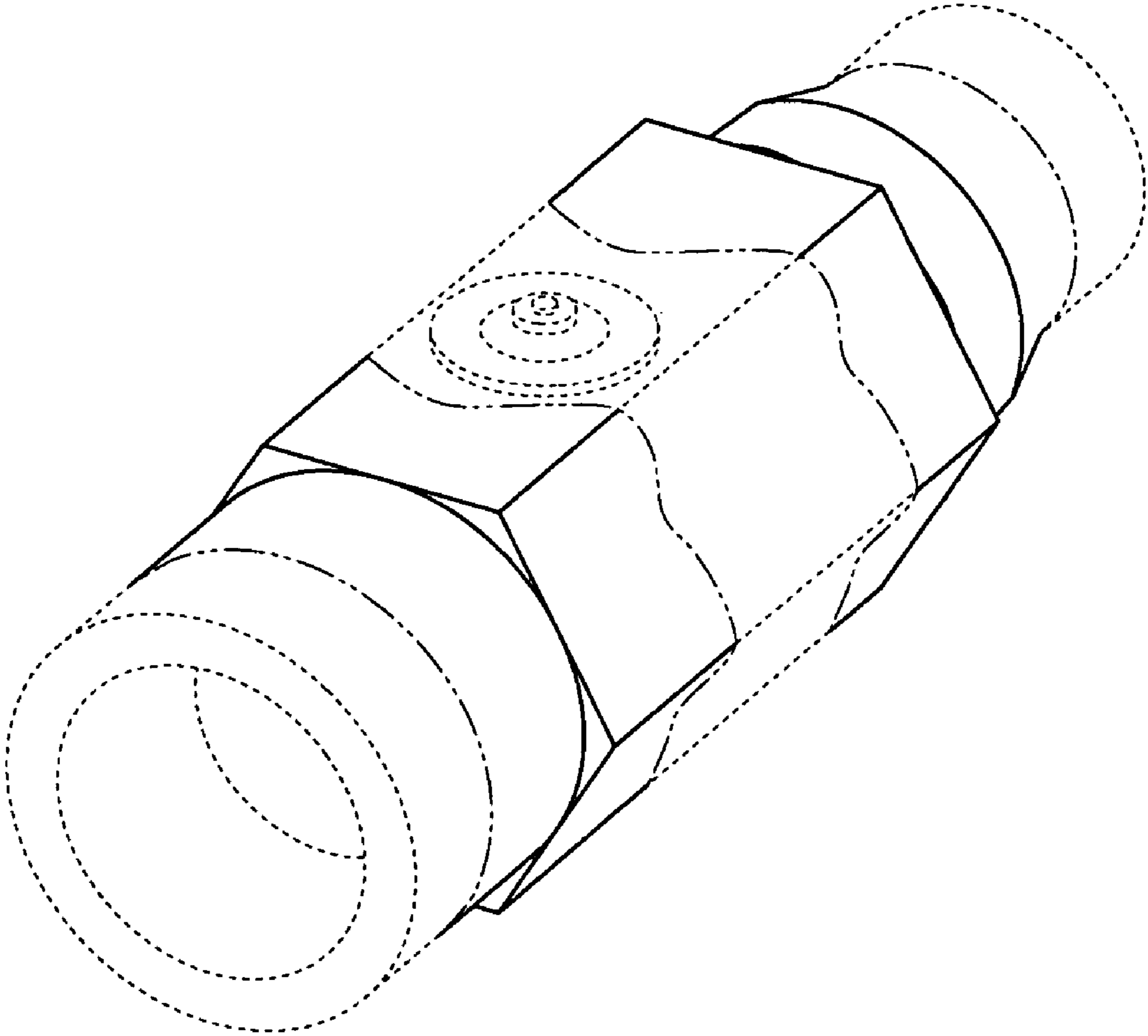
D437,826 S 2/2001 Montena  
D440,939 S 4/2001 Montena  
D462,058 S 8/2002 Montena  
6,733,338 B1 5/2004 Hsia  
D500,840 S \* 1/2005 Kim ..... D23/236  
D505,391 S 5/2005 Rodrigues et al.  
D511,497 S 11/2005 Murphy et al.  
D511,498 S 11/2005 Holliday  
D512,024 S 11/2005 Murphy et al.  
D513,406 S 1/2006 Rodrigues et al.  
D513,736 S 1/2006 Fox  
D519,076 S 4/2006 Fox  
D519,451 S 4/2006 Fox  
D519,452 S 4/2006 Rodrigues et al.  
D519,453 S 4/2006 Rodrigues et al.  
D521,454 S 5/2006 Murphy et al.  
D521,930 S 5/2006 Fox  
7,044,769 B2 5/2006 Zhao  
7,063,565 B2 6/2006 Ward  
7,074,081 B2 \* 7/2006 Hsia ..... 439/584  
D529,865 S 10/2006 LaPere  
D533,259 S \* 12/2006 Lewis et al. .... D23/262  
D544,322 S \* 6/2007 Horobec ..... D8/29  
D545,763 S 7/2007 Tufano, Jr.  
D549,804 S \* 8/2007 Lewis et al. .... D23/262  
D550,624 S 9/2007 McCann  
D554,237 S \* 10/2007 Lewis et al. .... D23/259  
7,288,002 B2 10/2007 Rodrigues et al.  
D561,691 S 2/2008 Holliday  
2002/0013088 A1 1/2002 Rodrigues et al.

2003/0036298 A1 2/2003 Hoffman et al.  
2003/0060082 A1 3/2003 Korte et al.  
2003/0162439 A1 8/2003 Rodrigues et al.  
2003/0224657 A1 12/2003 Malloy  
2004/0046386 A1 \* 3/2004 Chien et al. .... 285/276  
2004/0110416 A1 6/2004 Montena et al.  
2004/0147164 A1 7/2004 Li  
2004/0180575 A1 9/2004 Derenthal  
2005/0079762 A1 4/2005 Hsia  
2005/0112934 A1 5/2005 Zhao et al.  
2005/0136735 A1 6/2005 Rodrigues et al.  
2006/0276079 A1 12/2006 Chen  
2007/0042642 A1 2/2007 Montena et al.  
2007/0087628 A1 4/2007 Rodrigues et al.  
2007/0123100 A1 5/2007 Rodrigues et al.  
2007/0243759 A1 10/2007 Rodrigues et al.  
2008/0064259 A1 3/2008 Amidon

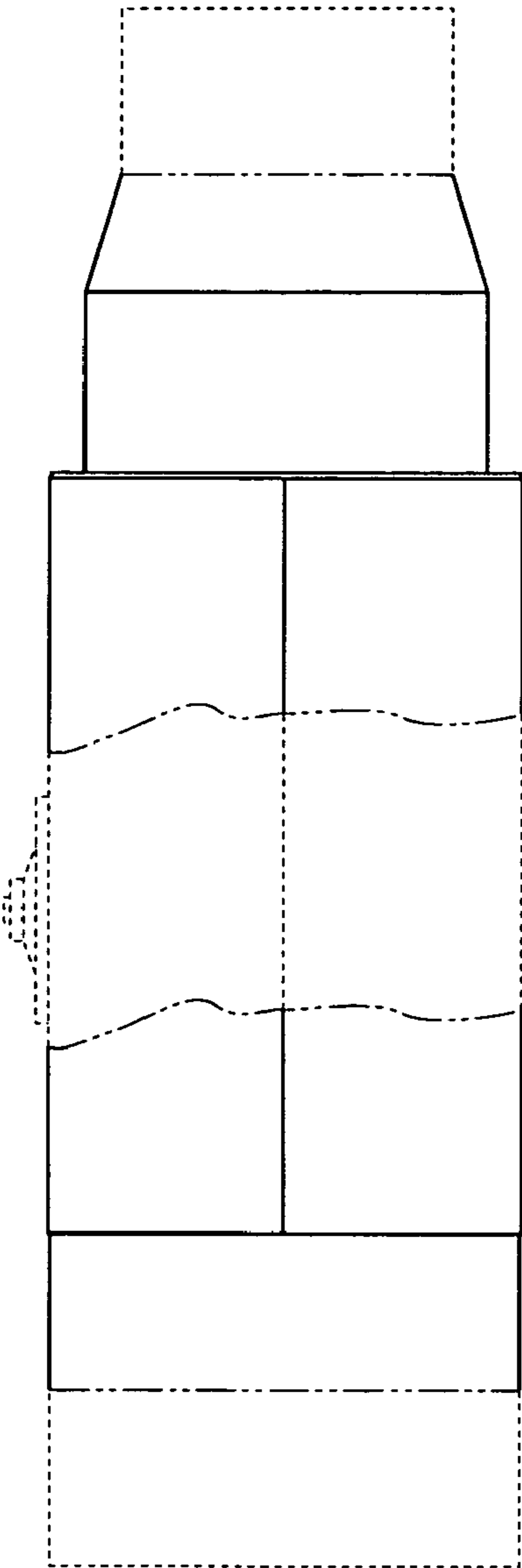
## OTHER PUBLICATIONS

[http://www.smallparts.com/Parker-8-4-FHC-B-01-Brass-Female-Coupling/dp/B000FMX0Y6?ie=UTF8&qid=1227051968&pf\\_rd\\_r=0CX23HZ3EP0A8RZBJSXE&pf\\_rd\\_p=463385991&pf\\_rd\\_i=0&sr=1-2&pf\\_rd\\_s=center-3&pf\\_rd\\_m=AIUBT5HP6PMAF&pf\\_rd\\_t=301](http://www.smallparts.com/Parker-8-4-FHC-B-01-Brass-Female-Coupling/dp/B000FMX0Y6?ie=UTF8&qid=1227051968&pf_rd_r=0CX23HZ3EP0A8RZBJSXE&pf_rd_p=463385991&pf_rd_i=0&sr=1-2&pf_rd_s=center-3&pf_rd_m=AIUBT5HP6PMAF&pf_rd_t=301), 2008.\*  
<http://www.skywalker.com/itemdisplay.aspx?item=8946>, 2008.\*  
<http://akamaipix.crutchfield.com/graphics/infolib/homelib/h75ohmCoaxialConnector.jpg>, 2008.\*  
Standard E1019 Series, Welding Products Catalog, available at least as early as Dec. 31, 1996, p. 15, Cooper Crouse-Hinds.

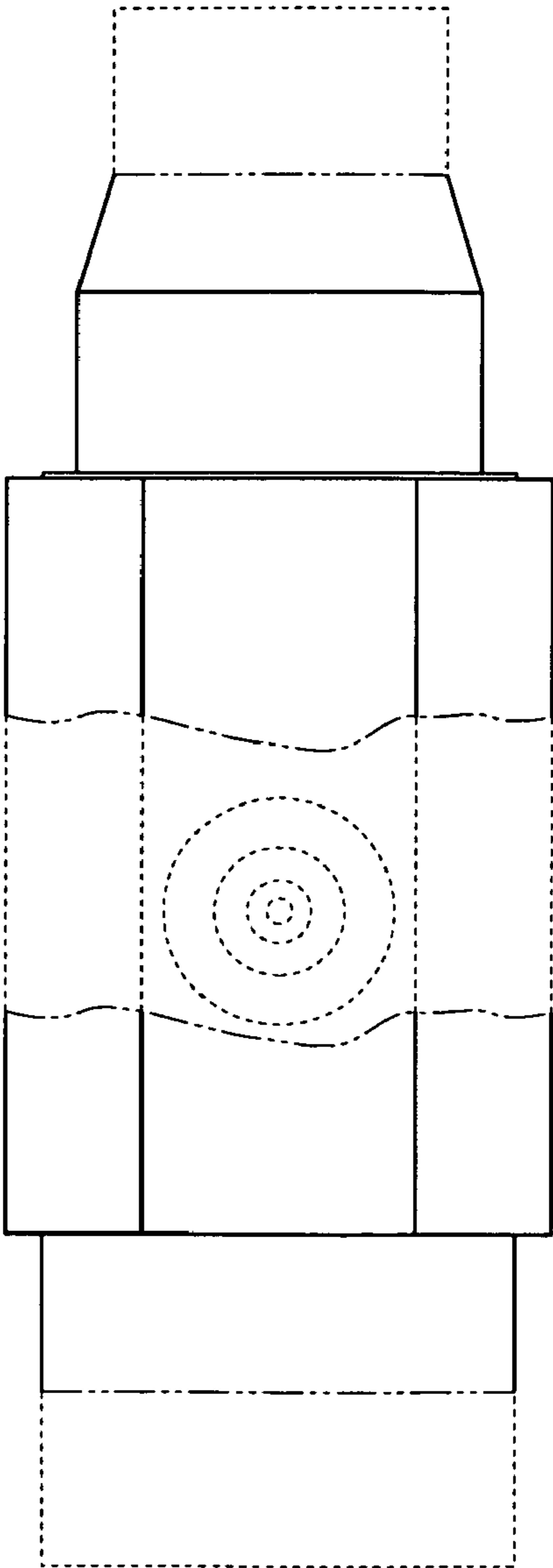
\* cited by examiner



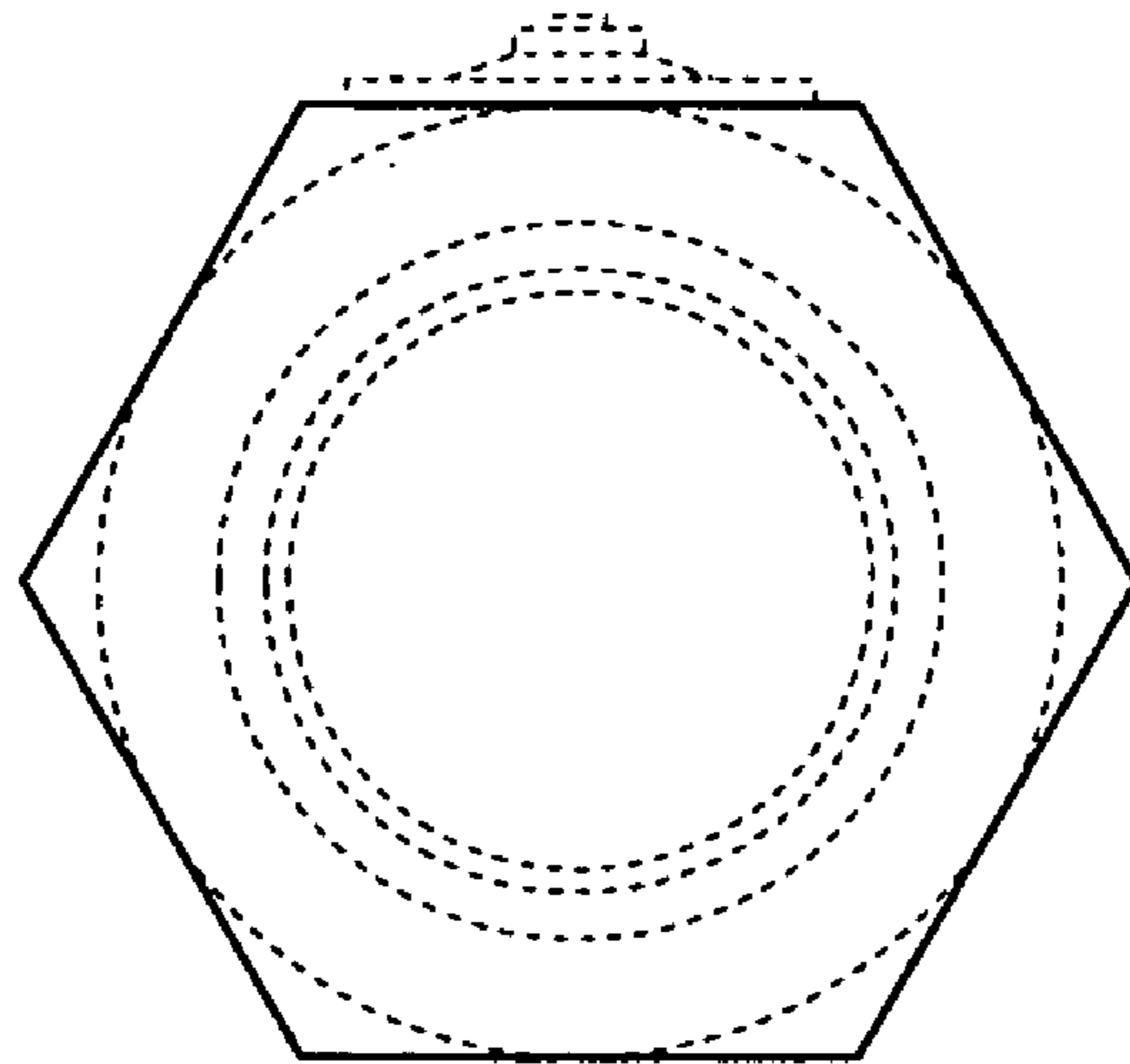
**Fig. 1**



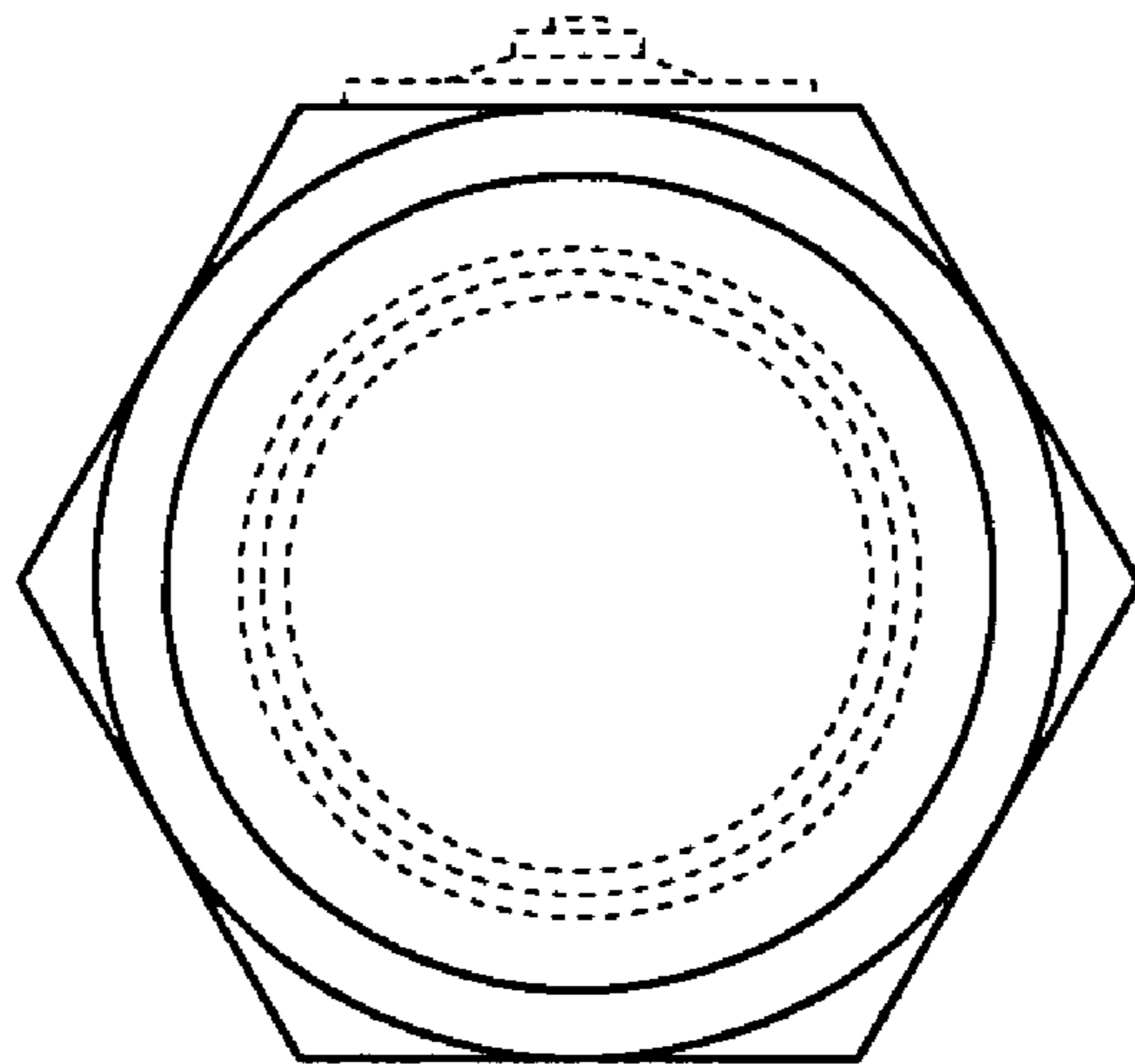
*Fig. 2*



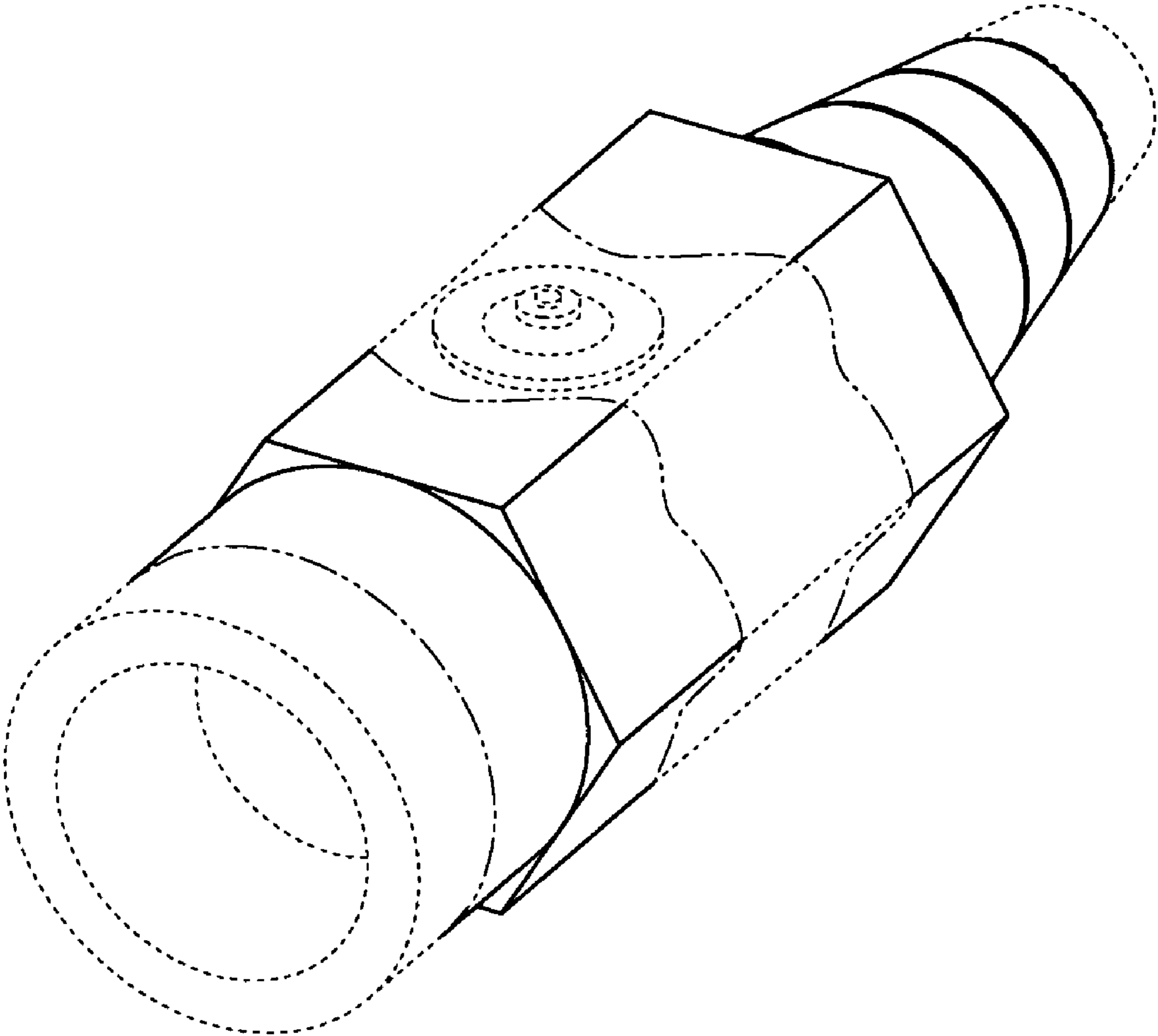
*Fig. 3*



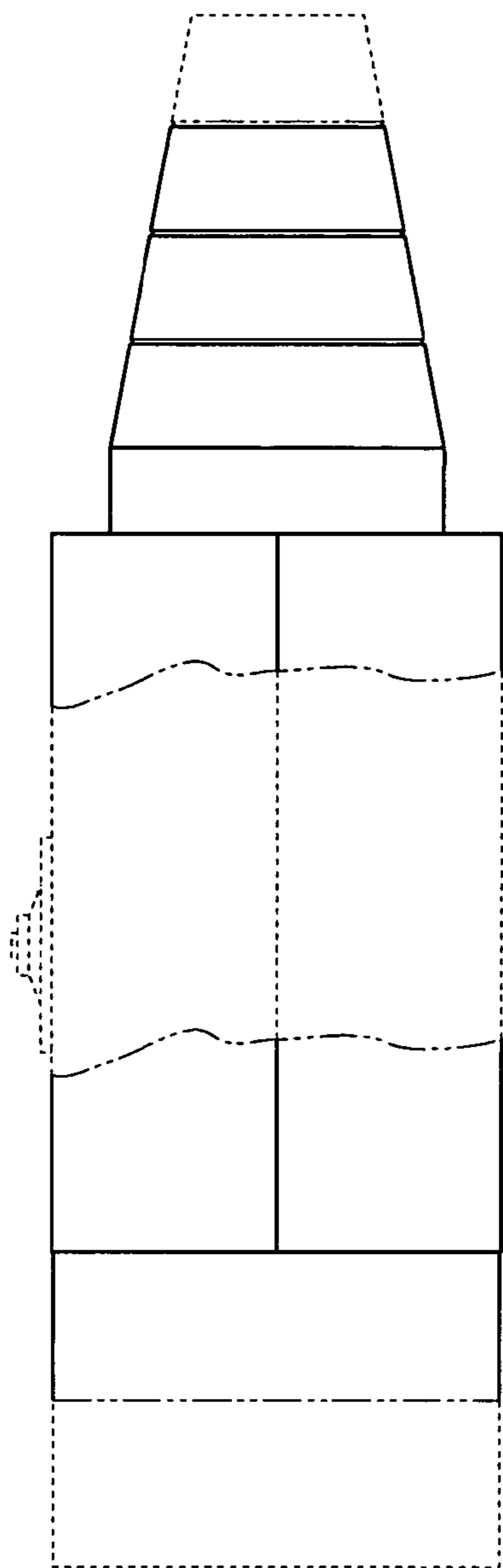
**Fig. 4**



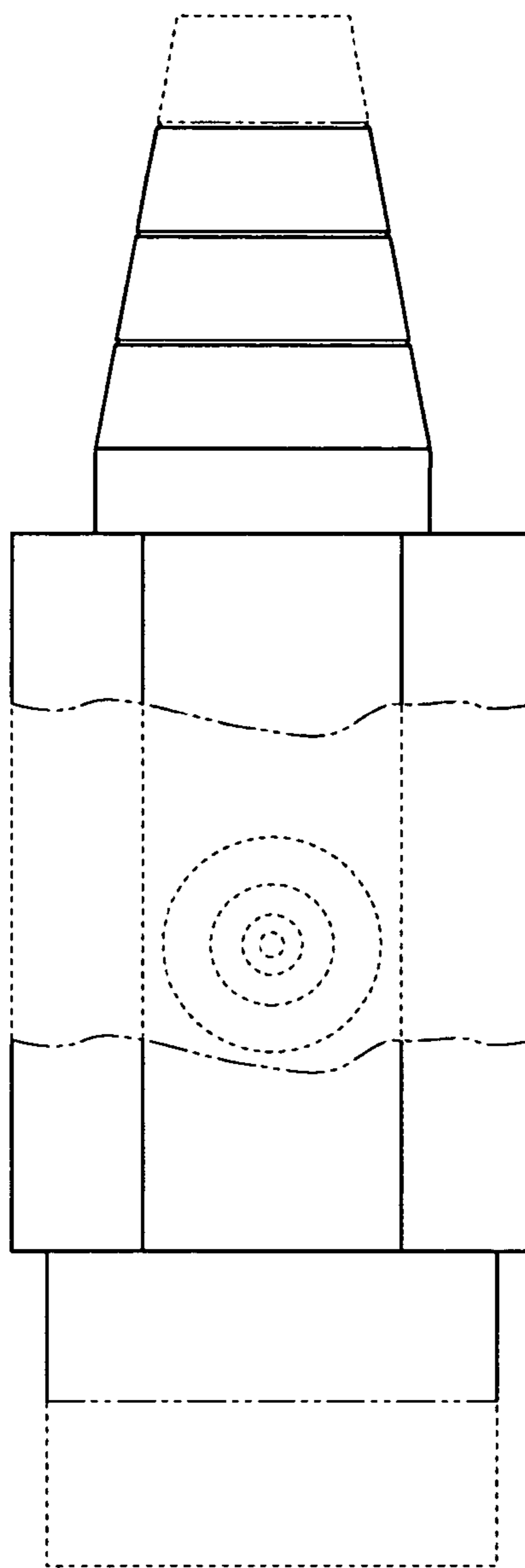
**Fig. 5**



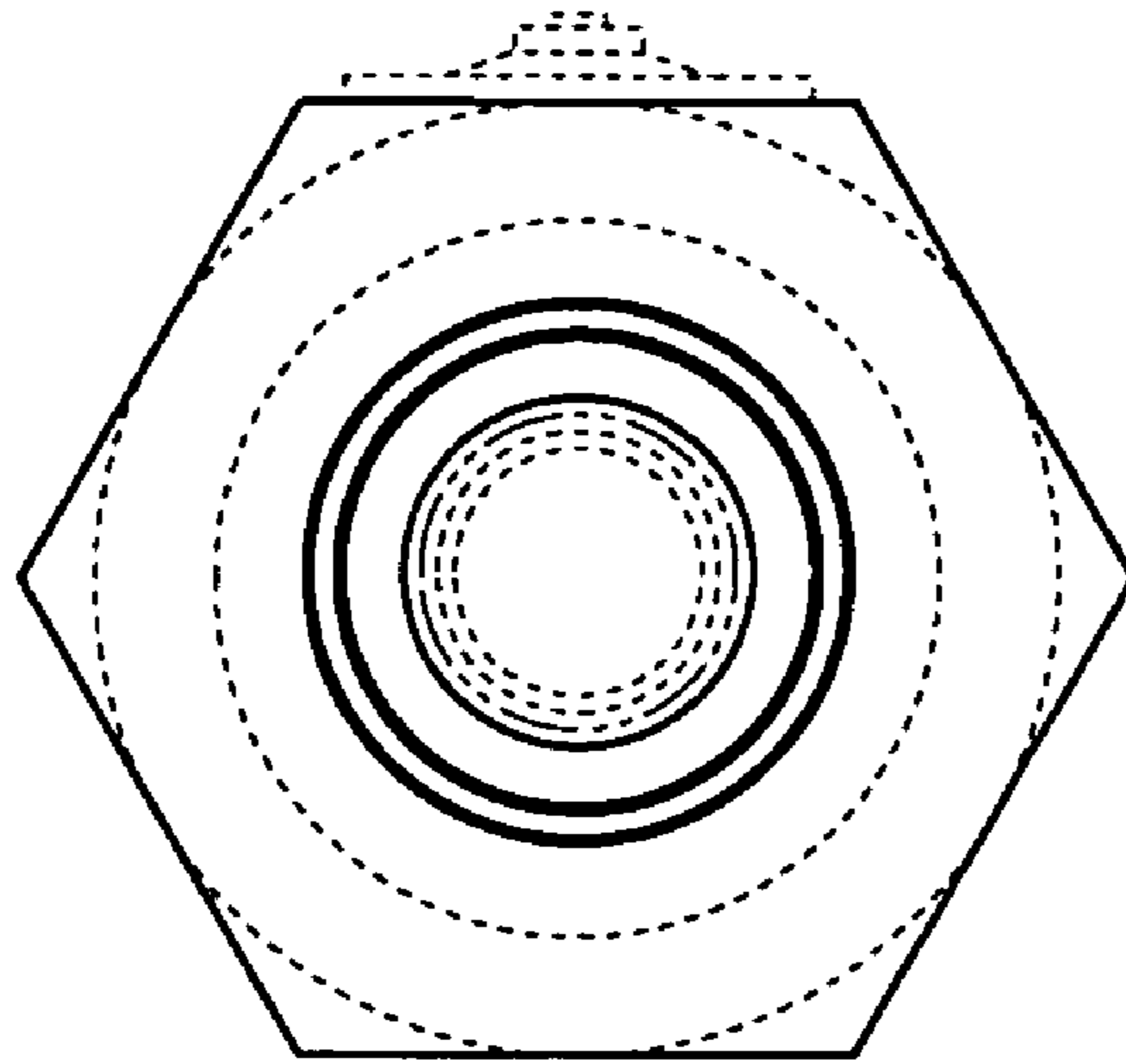
**Fig. 6**



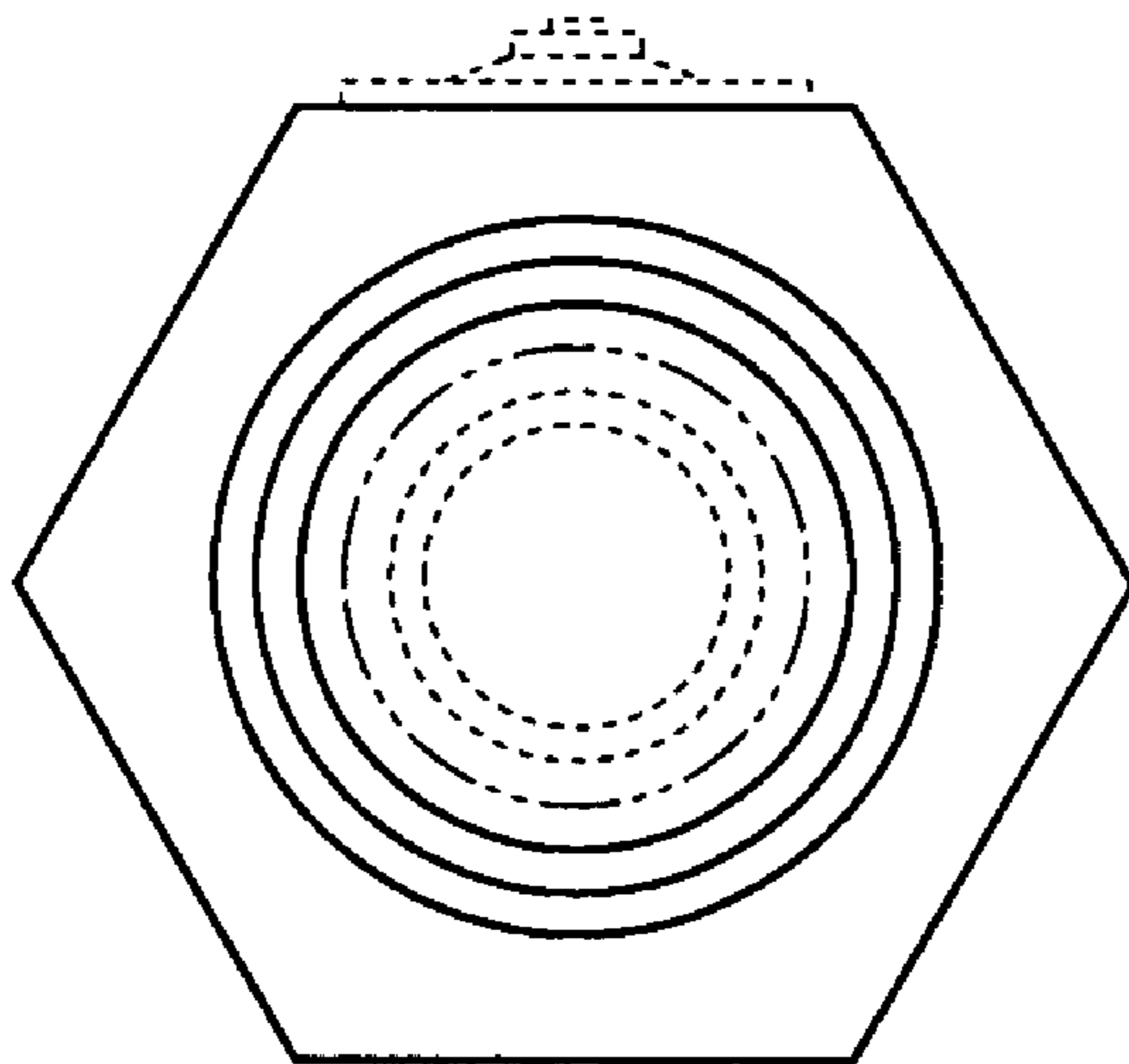
*Fig. 7*



*Fig. 8*



**Fig. 9**



**Fig. 10**