



(12) **United States Design Patent**  
**Strickland, Jr.**

(10) **Patent No.:** **US D600,211 S**  
(45) **Date of Patent:** **\*\* \*Sep. 15, 2009**

(54) **ELECTRICAL CONNECTOR**

(75) Inventor: **Carl Craig Strickland, Jr.**, Kinston, NC (US)

(73) Assignee: **Cooper Technologies Company**, Houston, TX (US)

(\*) Notice: This patent is subject to a terminal disclaimer.

(\*\*) Term: **14 Years**

(21) Appl. No.: **29/322,942**

(22) Filed: **Aug. 14, 2008**

**Related U.S. Application Data**

(62) Division of application No. 29/299,114, filed on Dec. 19, 2007, now Pat. No. Des. 584,228.

(51) **LOC (9) Cl.** ..... **13-03**

(52) **U.S. Cl.** ..... **D13/154; D13/133**

(58) **Field of Classification Search** ..... D13/123, D13/133, 146, 147, 149, 151, 153, 154, 184, D13/199; 439/86, 180, 278, 374, 378, 380, 439/488-491, 527, 578, 585, 752, 825-828, 439/834, 851, 856; D23/259-262; D8/29  
See application file for complete search history.

(56) **References Cited**

**U.S. PATENT DOCUMENTS**

D33,957 S *	1/1901	Fargo	.....	D23/262
D49,474 S *	8/1916	Thomas	.....	D23/262
2,694,328 A *	11/1954	Lafreniere	.....	81/53.2
3,895,466 A *	7/1975	Melton	.....	29/890.14
4,159,667 A	7/1979	Nordstrom		
4,408,821 A	10/1983	Forney, Jr.		

(Continued)

**OTHER PUBLICATIONS**

<http://www.smallparts.com/Parker-Stainless-Fittings-Female-Coupling/dp/B000FMWQVY?ie=UTF8&qid=1227051754&>

pf\_rd\_r=109JYYRXZDSE6M8JC7C4&pf\_rd\_p=463385991&pf\_rd\_i=0&sr=1-2&pf\_rd\_s=center-3&pf\_rd\_m=AIUBT5HP6PMAF&pf\_rd\_t=301, 2008.\*

(Continued)

*Primary Examiner*—Daniel D Bui

*Assistant Examiner*—Thomas J Johannes

(74) *Attorney, Agent, or Firm*—SAIDMAN DesignLaw Group

(57) **CLAIM**

The ornamental design for an electrical connector, as shown and described.

**DESCRIPTION**

FIG. 1 is a perspective view of an electrical connector showing my new design;

FIG. 2 is a front view thereof, the rear view being a mirror image;

FIG. 3 is a top view thereof, the bottom view being a mirror image;

FIG. 4 is a left end view thereof;

FIG. 5 is a right end view thereof;

FIG. 6 is perspective view thereof, showing an alternate usage environment;

FIG. 7 is a front view thereof, the rear view being a mirror image;

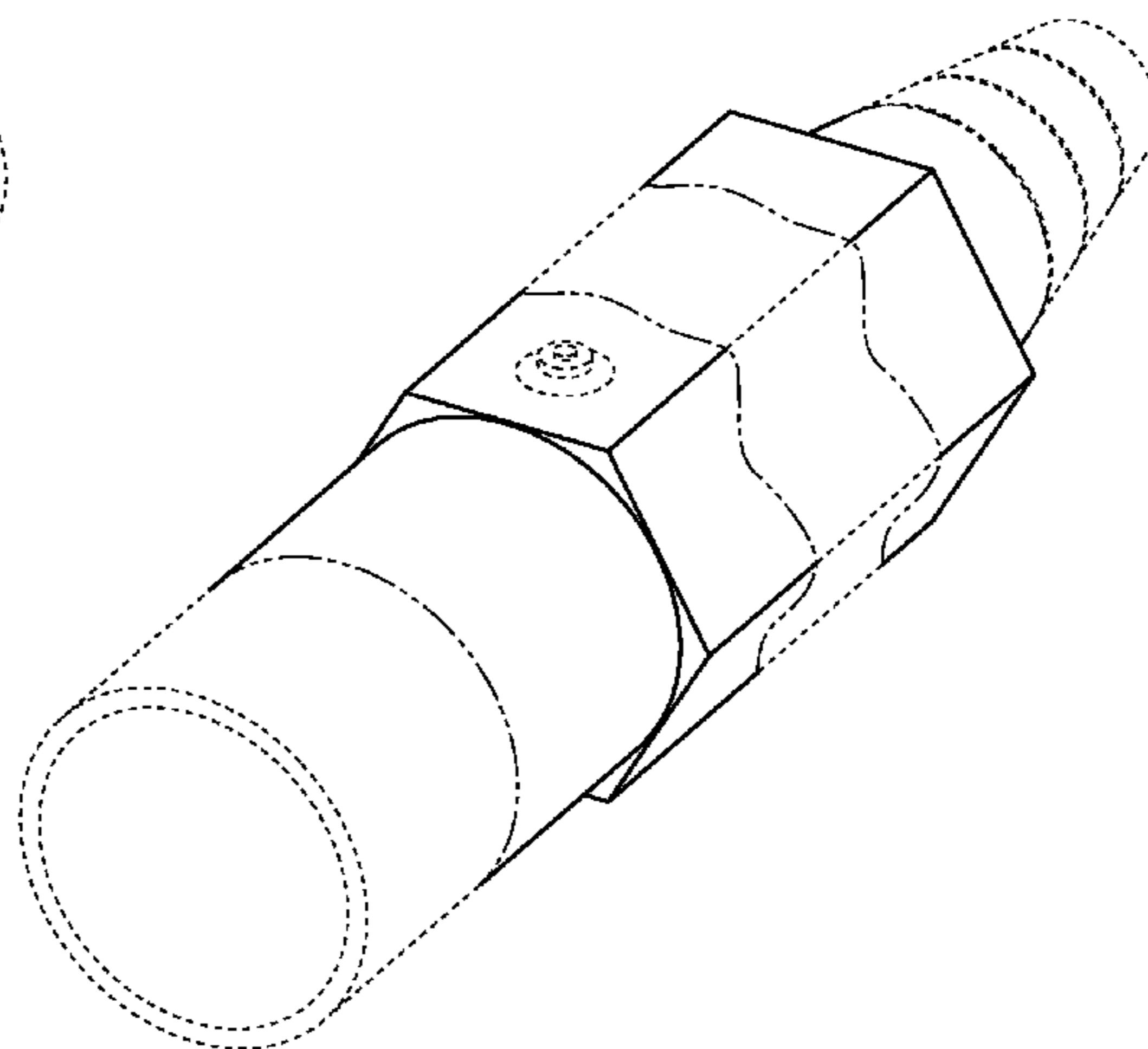
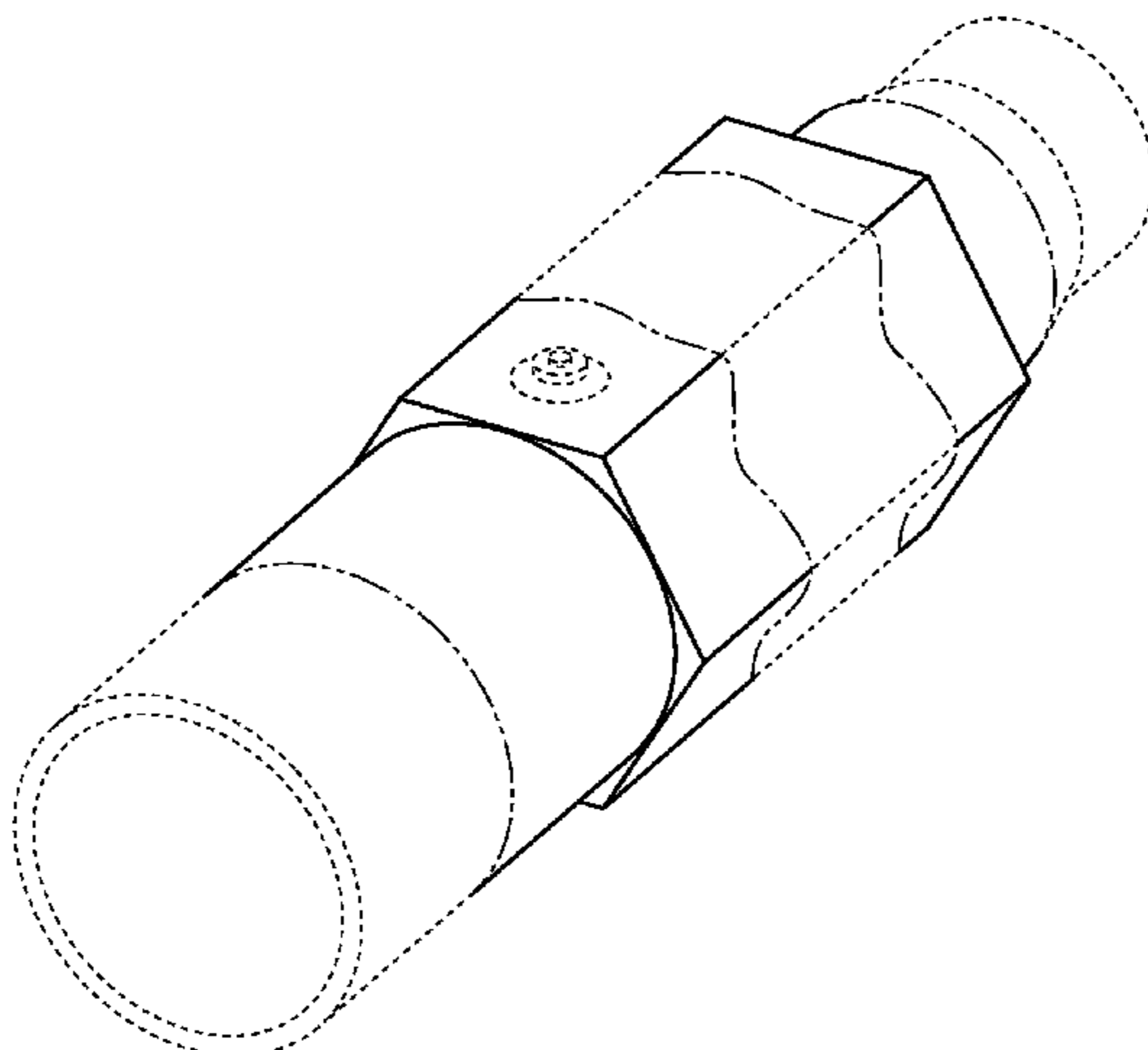
FIG. 8 is a top view thereof, the bottom view being a mirror image;

FIG. 9 is a left end view thereof; and,

FIG. 10 is a right end view thereof.

The dotted broken lines are environmental and form no part of the claimed design. The dash-dot-dot lines indicate boundaries of the claimed design, and form no part thereof.

**1 Claim, 6 Drawing Sheets**



# US D600,211 S

## U.S. PATENT DOCUMENTS

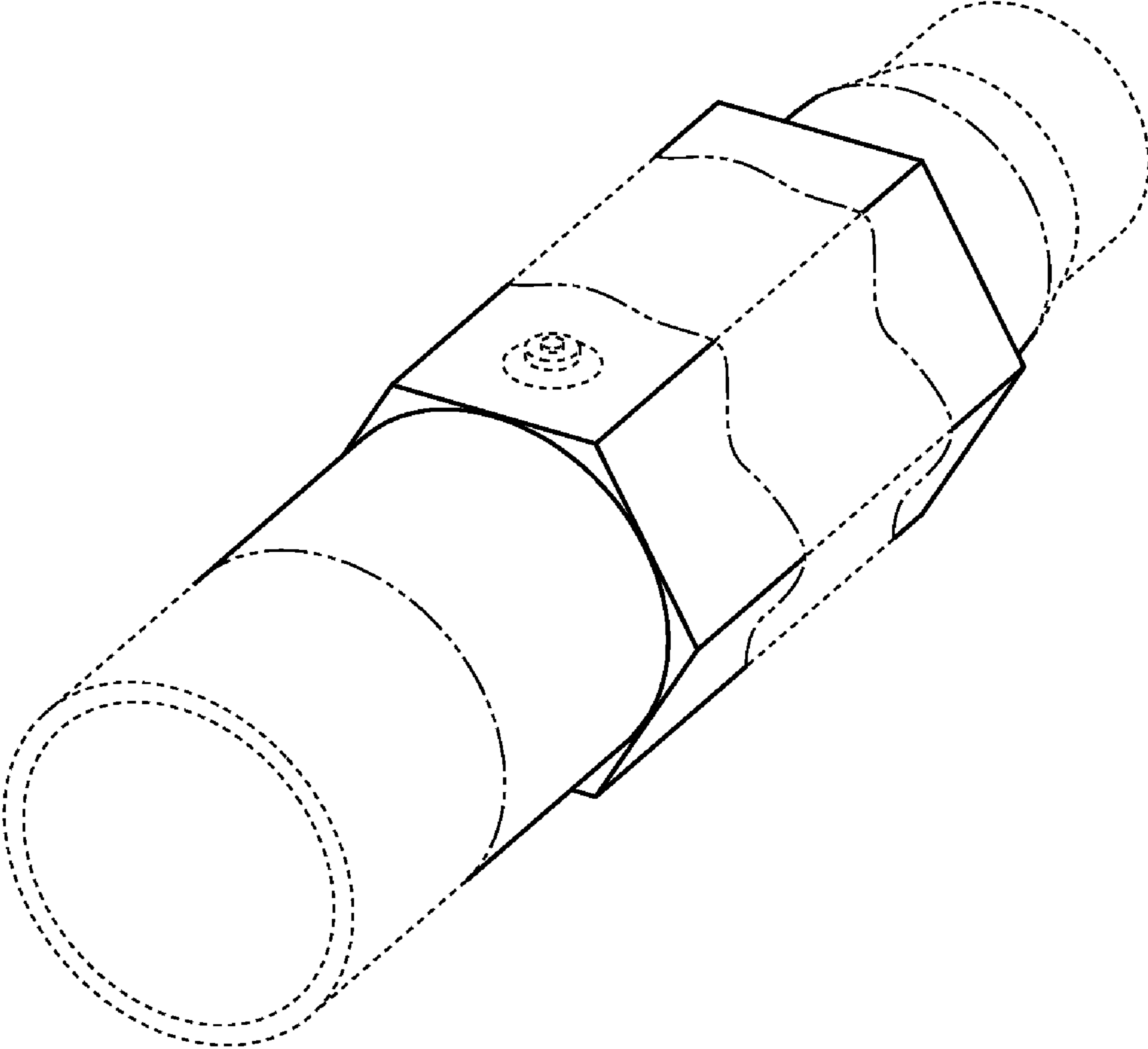
D301,722 S \* 6/1989 Sachs ..... D20/22  
 5,487,681 A \* 1/1996 Star et al. .... 439/581  
 5,499,934 A 3/1996 Jacobsen et al.  
 5,934,937 A \* 8/1999 McCarthy ..... 439/583  
 6,080,933 A 6/2000 Gretz  
 D437,537 S \* 2/2001 Carter, Jr. .... D8/29  
 D437,826 S 2/2001 Montena  
 D440,939 S 4/2001 Montena  
 D462,058 S 8/2002 Montena  
 6,733,338 B1 5/2004 Hsia  
 D500,840 S \* 1/2005 Kim ..... D23/236  
 D505,391 S 5/2005 Rodrigues et al.  
 D511,497 S 11/2005 Murphy et al.  
 D511,498 S 11/2005 Holliday  
 D512,024 S 11/2005 Murphy et al.  
 D513,406 S 1/2006 Rodrigues et al.  
 D513,736 S 1/2006 Fox  
 D519,076 S 4/2006 Fox  
 D519,451 S 4/2006 Fox  
 D519,452 S 4/2006 Rodrigues et al.  
 D519,453 S 4/2006 Rodrigues et al.  
 D521,454 S 5/2006 Murphy et al.  
 D521,930 S 5/2006 Fox  
 7,044,769 B2 5/2006 Zhao  
 7,063,565 B2 6/2006 Ward  
 7,074,081 B2 \* 7/2006 Hsia ..... 439/584  
 D529,865 S 10/2006 LaPere  
 D533,259 S \* 12/2006 Lewis et al. .... D23/262  
 D544,322 S \* 6/2007 Horobec ..... D8/29  
 D545,763 S 7/2007 Tufano, Jr.  
 D549,804 S \* 8/2007 Lewis et al. .... D23/262  
 D550,624 S 9/2007 McCann  
 D554,237 S \* 10/2007 Lewis et al. .... D23/259

7,288,002 B2 10/2007 Rodrigues et al.  
 D561,691 S 2/2008 Holliday  
 2002/0013088 A1 1/2002 Rodrigues et al.  
 2003/0036298 A1 2/2003 Hoffman et al.  
 2003/0060082 A1 3/2003 Korte et al.  
 2003/0162439 A1 8/2003 Rodrigues et al.  
 2003/0224657 A1 12/2003 Malloy  
 2004/0046386 A1 \* 3/2004 Chien et al. .... 285/276  
 2004/0110416 A1 6/2004 Montena et al.  
 2004/0147164 A1 7/2004 Li  
 2004/0180575 A1 9/2004 Derenthal  
 2005/0079762 A1 4/2005 Hsia  
 2005/0112934 A1 5/2005 Zhao et al.  
 2005/0136735 A1 6/2005 Rodrigues et al.  
 2006/0276079 A1 12/2006 Chen  
 2007/0042642 A1 2/2007 Montena et al.  
 2007/0087628 A1 4/2007 Rodrigues et al.  
 2007/0123100 A1 5/2007 Rodrigues et al.  
 2007/0243759 A1 10/2007 Rodrigues et al.  
 2008/0064259 A1 3/2008 Amidon

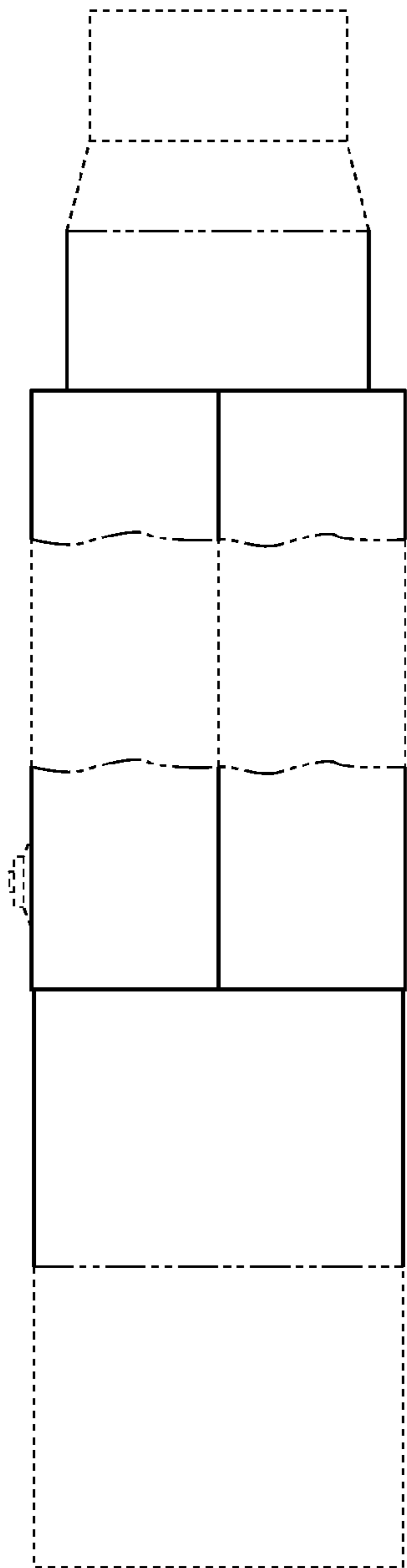
## OTHER PUBLICATIONS

[http://www.smallparts.com/Parker-8-4-FHC-B-01-Brass-Female-Coupling/dp/B000FMX0Y6?ie=UTF8&qid=1227051968&pf\\_rd\\_r=0CX23HZ3EP0A8RZBJSXE&pf\\_rd\\_p=463385991&pf\\_rd\\_i=0&sr=1-2&pf\\_rd\\_s=center-3&pf\\_rd\\_m=AIUBT5HP6PMAF&pf\\_rd\\_t=301](http://www.smallparts.com/Parker-8-4-FHC-B-01-Brass-Female-Coupling/dp/B000FMX0Y6?ie=UTF8&qid=1227051968&pf_rd_r=0CX23HZ3EP0A8RZBJSXE&pf_rd_p=463385991&pf_rd_i=0&sr=1-2&pf_rd_s=center-3&pf_rd_m=AIUBT5HP6PMAF&pf_rd_t=301), 2008.\*  
<http://www.skywalker.com/itemdisplay.aspx?item=8946>, 2008.\*  
<http://akamaipix.crutchfield.com/graphics/infolib/homelib/h75ohmCoaxialConnector.jpg>, 2008.\*  
 E1017 Series, Welding Products Catalog, available at least as early as Dec. 31, 1996, p. 14, Cooper Crouse-Hinds.

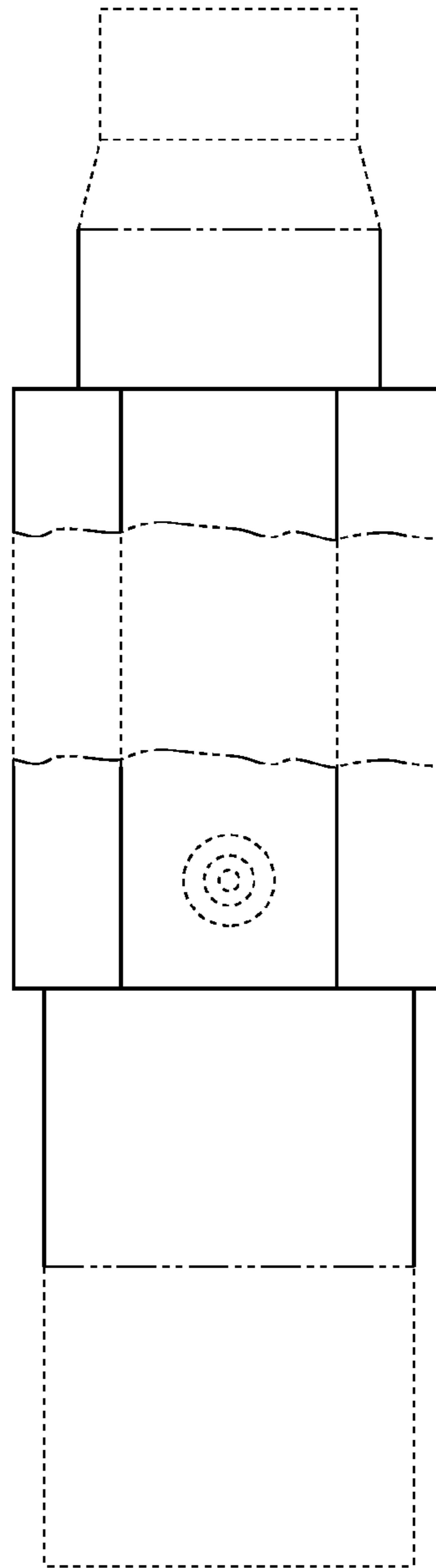
\* cited by examiner



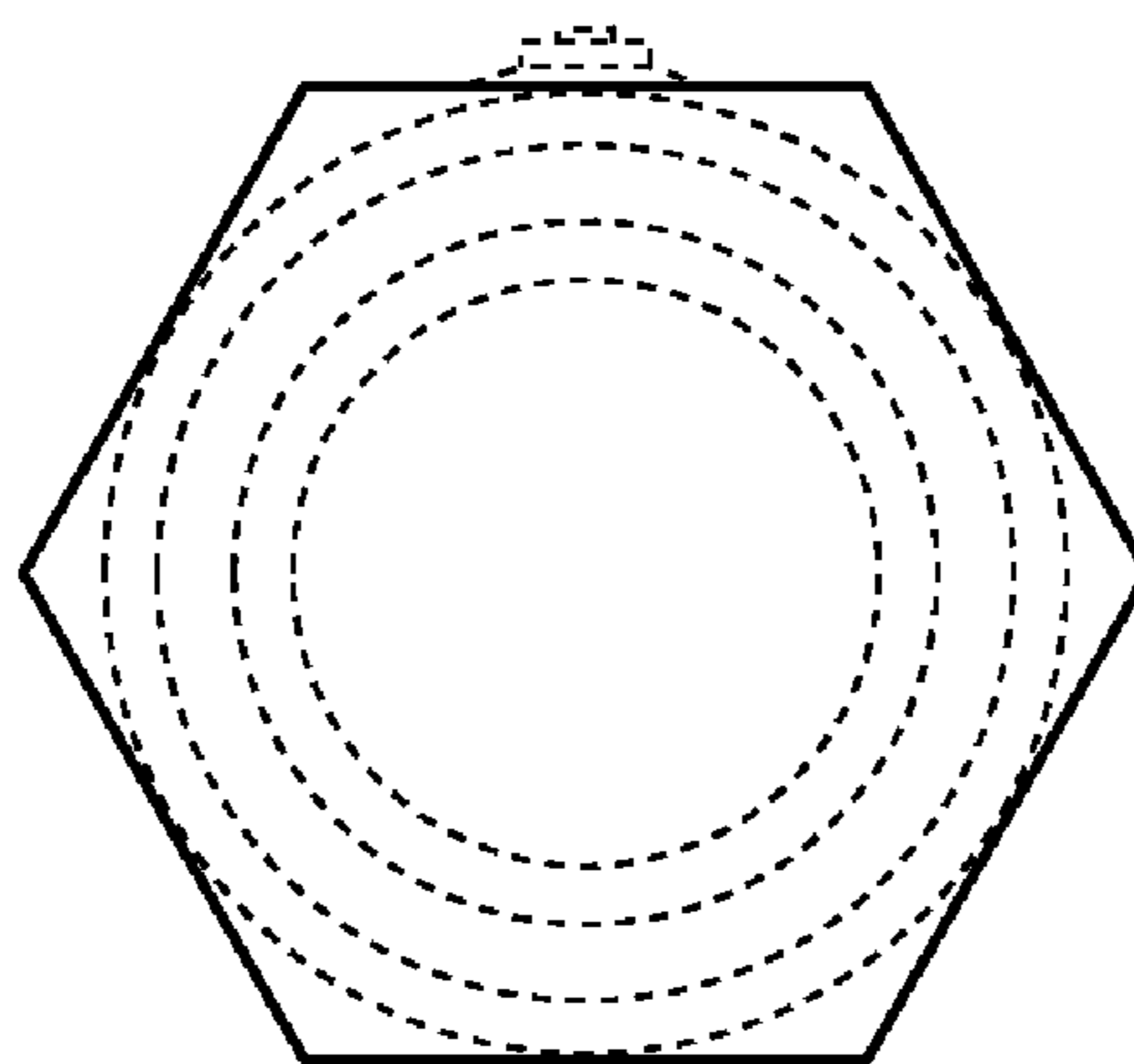
**Fig. 1**



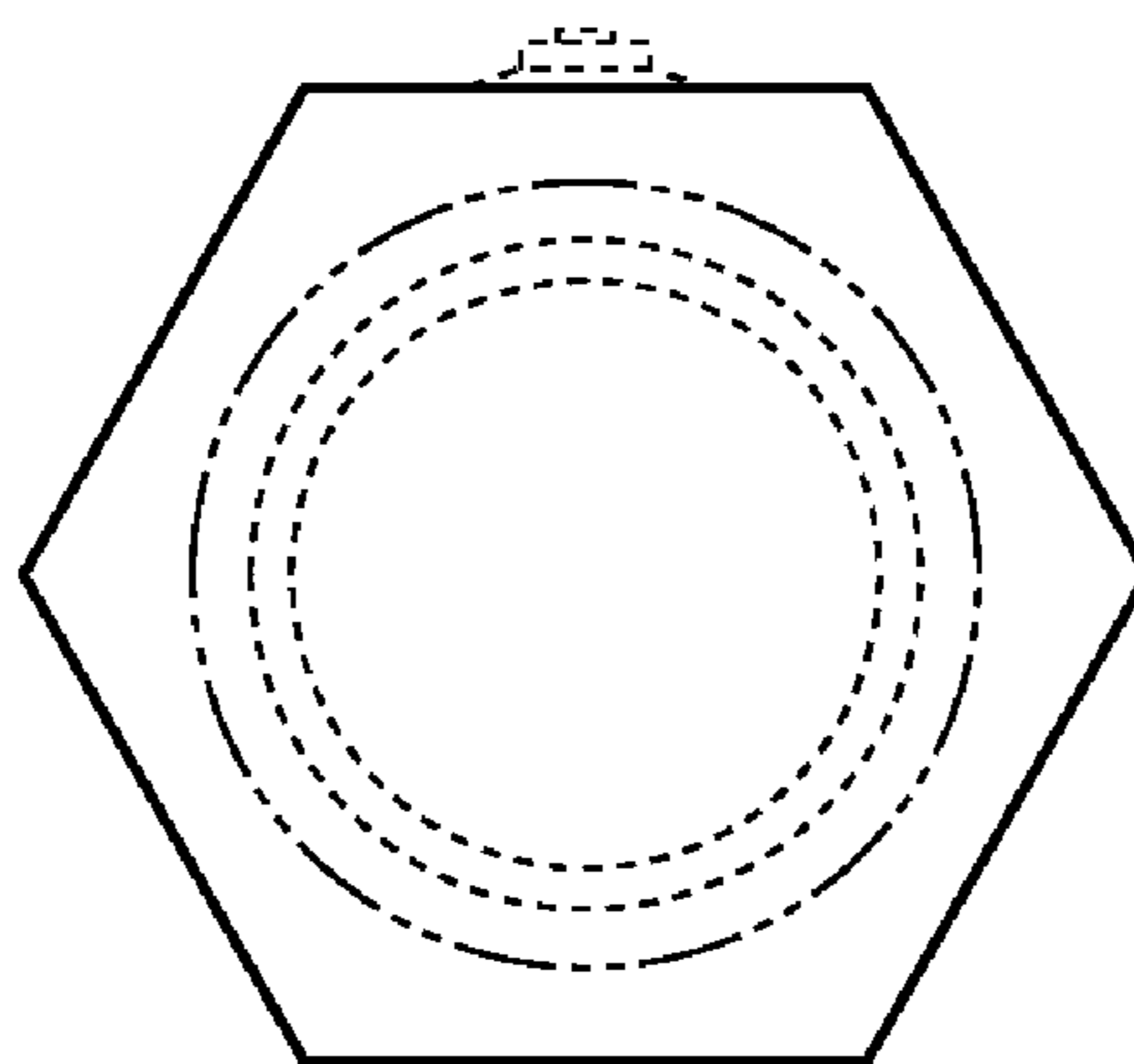
*Fig. 2*



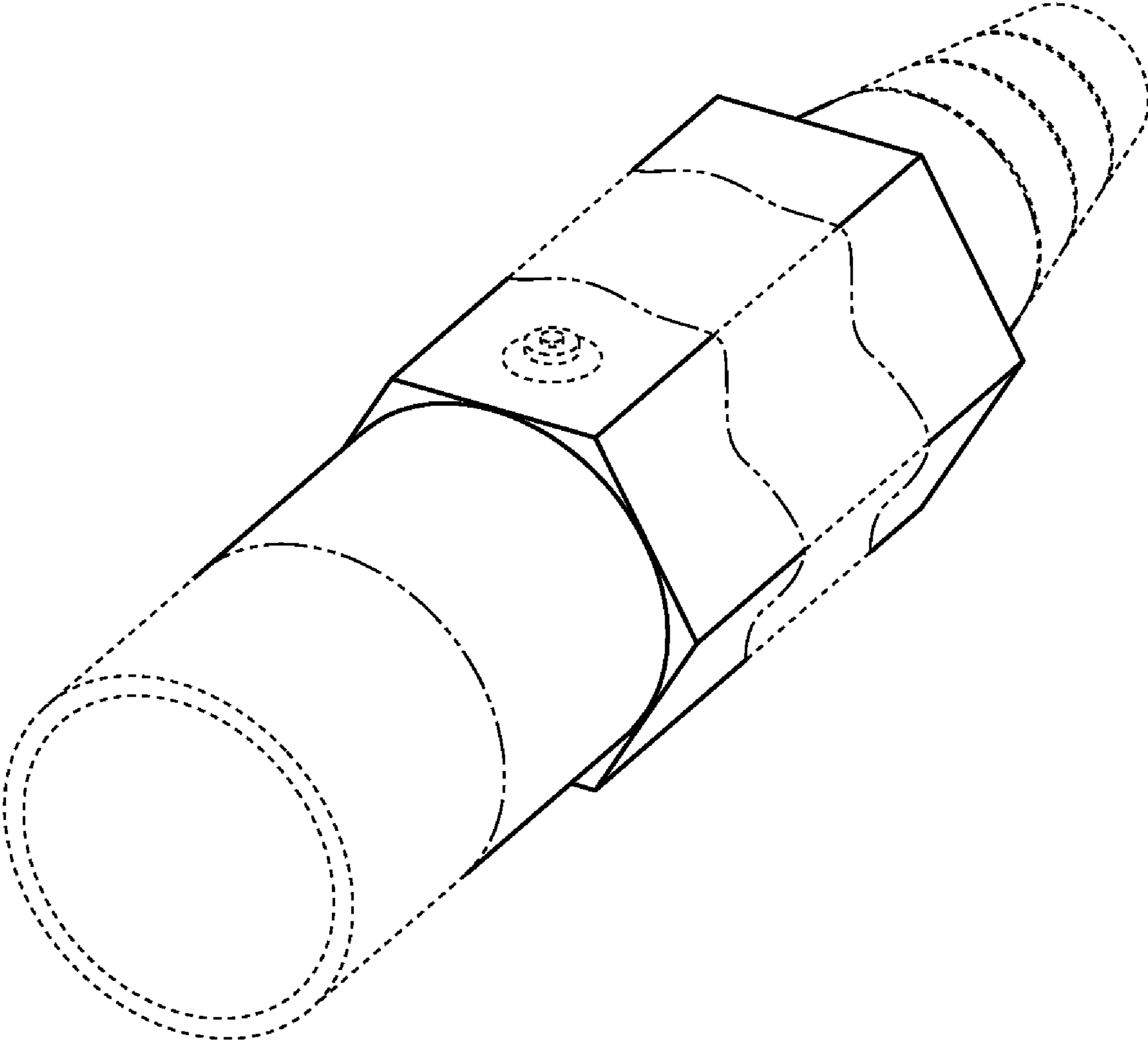
*Fig. 3*



***Fig. 4***

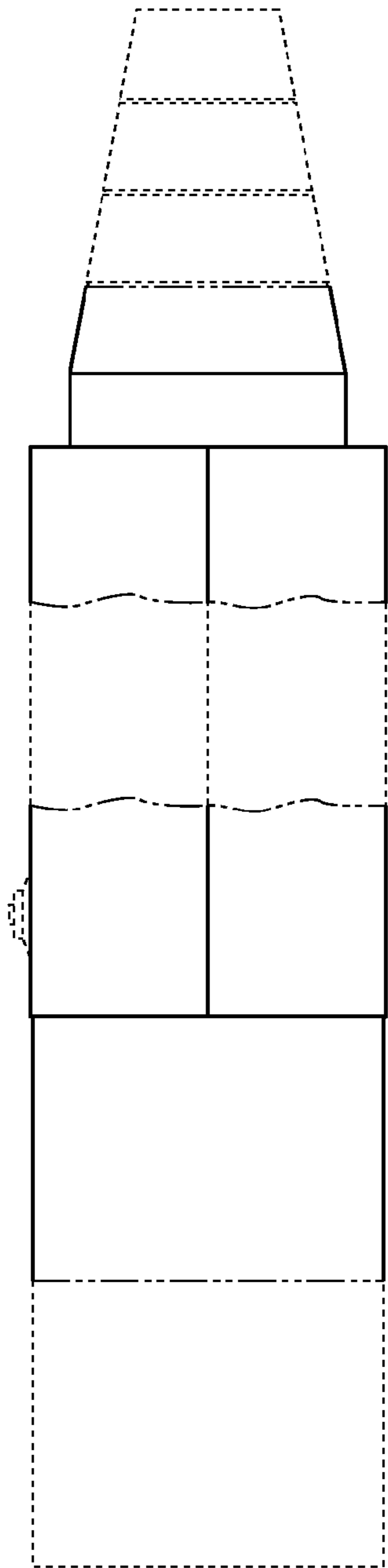


***Fig. 5***

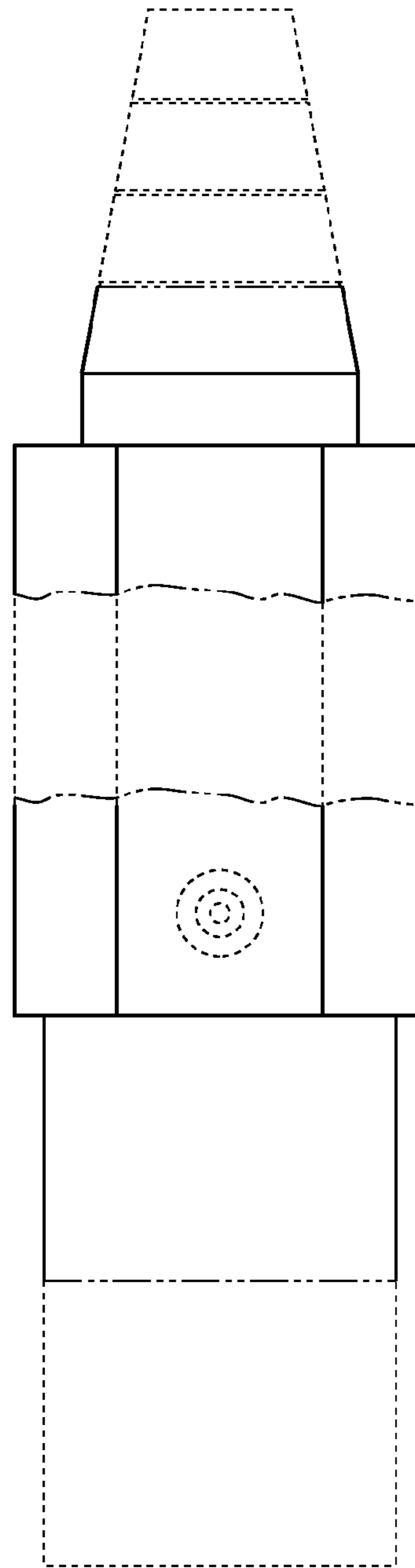


**Fig. 6**

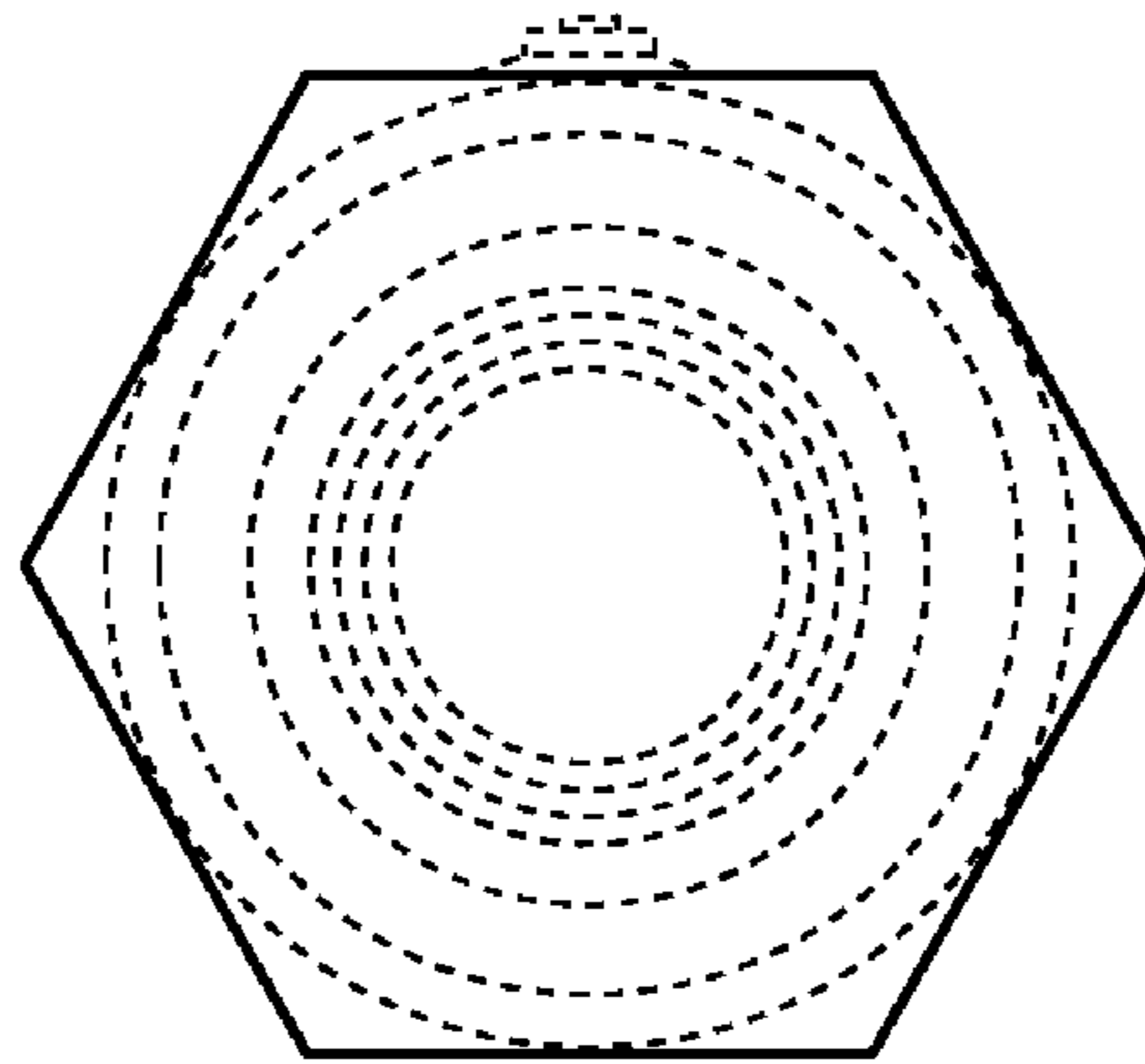




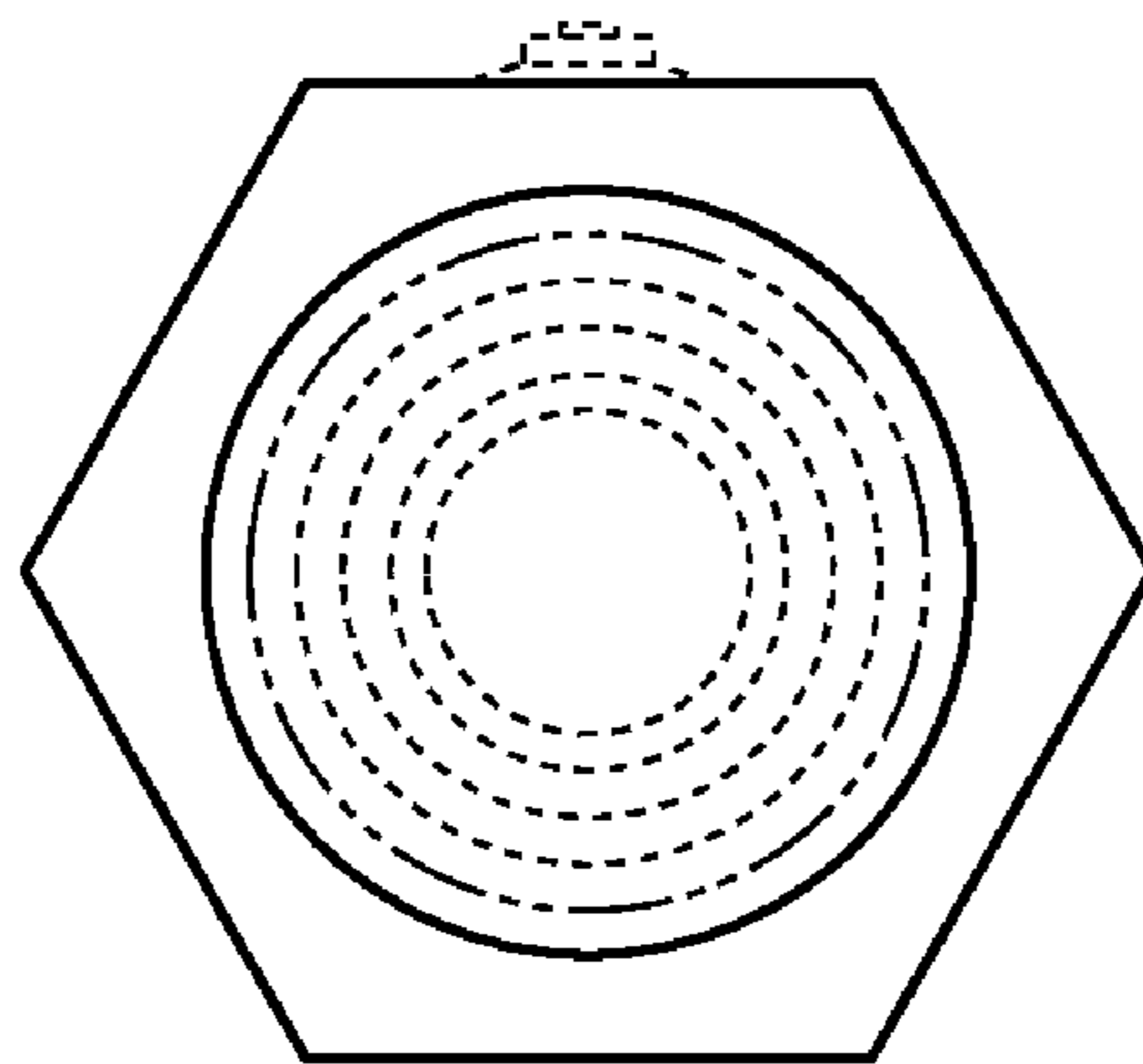
*Fig. 7*



*Fig. 8*



***Fig. 9***



***Fig. 10***