



US00D600210S

(12) **United States Design Patent**
Snyder et al.

(10) **Patent No.:** **US D600,210 S**
(45) **Date of Patent:** **** Sep. 15, 2009**

(54) **COAXIAL CABLE CONNECTOR IN OPEN POSITION**

(75) Inventors: **Bryan S. Snyder**, Corning, NY (US);
Brian Derenthal, Horseheads, NY (US);
Roger Phillips, Jr., Horseheads, NY (US);
Julio Rodrigues, Collierville, TN (US)

(73) Assignee: **Thomas & Betts International, Inc.**,
Wilmington, DE (US)

(**) Term: **14 Years**

(21) Appl. No.: **29/328,315**

(22) Filed: **Nov. 21, 2008**

(51) **LOC (9) Cl.** **13-03**

(52) **U.S. Cl.** **D13/151; D13/133**

(58) **Field of Classification Search** D13/133,
D13/149, 151, 153, 154, 156, 184, 199; 439/133,
439/321, 322, 578, 583, 584, 585, 668, 79,
439/248, 258, 274, 350, 352, 353, 358, 359,
439/362, 378, 445, 447, 656, 660, 676, 677,
439/678, 679, 680, 681, 682, 686; 411/7,
411/11; 426/507; 28/828; 307/10.1; 333/81 A
See application file for complete search history.

(56) **References Cited**

U.S. PATENT DOCUMENTS

1,971,500	A *	8/1934	Palmer	285/116
3,184,256	A *	5/1965	Zavertnik	285/12
4,082,475	A *	4/1978	Kuder	408/125
D265,418	S	7/1982	Chow et al.		
D267,506	S *	1/1983	Evans	D23/262
D274,453	S	6/1984	Hayes		
D296,579	S	7/1988	Hattori		
5,297,458	A	3/1994	Smith et al.		
5,316,348	A	5/1994	Franklin		
5,854,556	A *	12/1998	Steennis et al.	324/541
D413,967	S	9/1999	Yuen		
D432,088	S	10/2000	Malak		
6,276,237	B1	8/2001	Stacy		
D475,975	S *	6/2003	Fox	D13/151
6,817,272	B2 *	11/2004	Holland	81/124.2
6,848,920	B2	2/2005	Fox		

D504,113	S	4/2005	Montena		
6,887,102	B1	5/2005	Burris et al.		
6,971,912	B2	12/2005	Montena et al.		
D519,451	S	4/2006	Fox		
D519,452	S *	4/2006	Rodrigues et al.	D13/133
7,086,897	B2	8/2006	Montena		
7,147,509	B1	12/2006	Burris et al.		
7,189,091	B1	3/2007	Montena		
7,207,820	B1	4/2007	Montena		
7,300,309	B2	11/2007	Montena		
D569,809	S *	5/2008	Montena	D13/151
D572,197	S *	7/2008	Chawgo et al.	D13/154
D574,784	S	8/2008	Chawgo		
D577,681	S *	9/2008	Amidon	D13/151
D584,235	S *	1/2009	Montena	D13/151
2003/0162439	A1	8/2003	Rodrigues et al.		
2004/0019585	A1	1/2004	Fujimoto et al.		
2004/0077215	A1	4/2004	Palinkas et al.		

* cited by examiner

Primary Examiner—Daniel D Bui

Assistant Examiner—Thomas J Johannes

(74) *Attorney, Agent, or Firm*—Hoffman & Baron, LLP

(57) **CLAIM**

The ornamental design for a coaxial cable connector in open position, as shown and described.

DESCRIPTION

FIG. 1 is a rear perspective view of a coaxial cable connector in open position showing our new design;

FIG. 2 is a front perspective view thereof;

FIG. 3 is a top plan view thereof, the bottom being a mirror image;

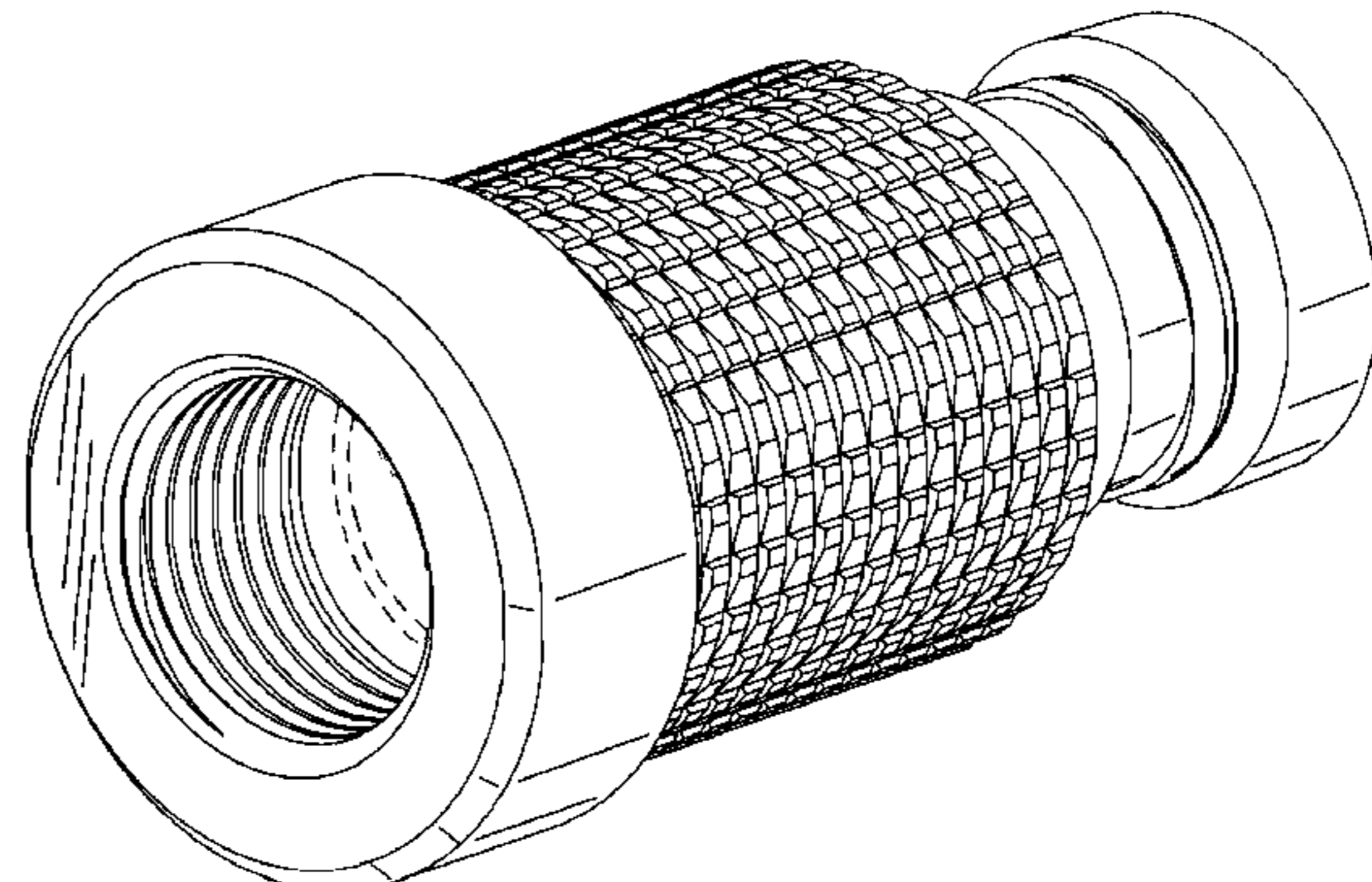
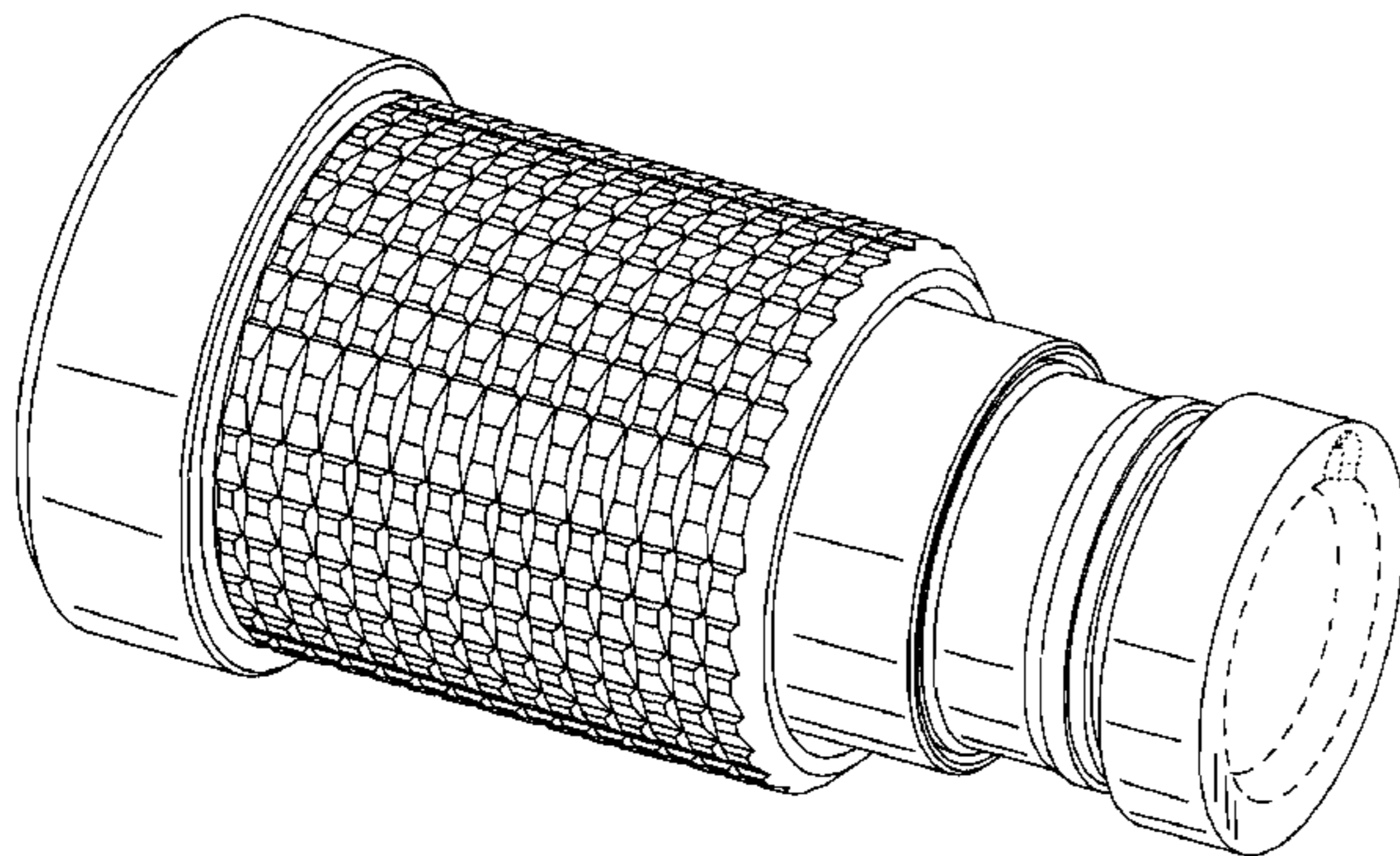
FIG. 4 is a right side plan view thereof, the left side being a mirror image;

FIG. 5 is a front plan view thereof; and,

FIG. 6 is a rear plan view thereof.

The subject matter shown in broken lines is for illustrative purposes only and forms no part of the claimed design.

1 Claim, 3 Drawing Sheets



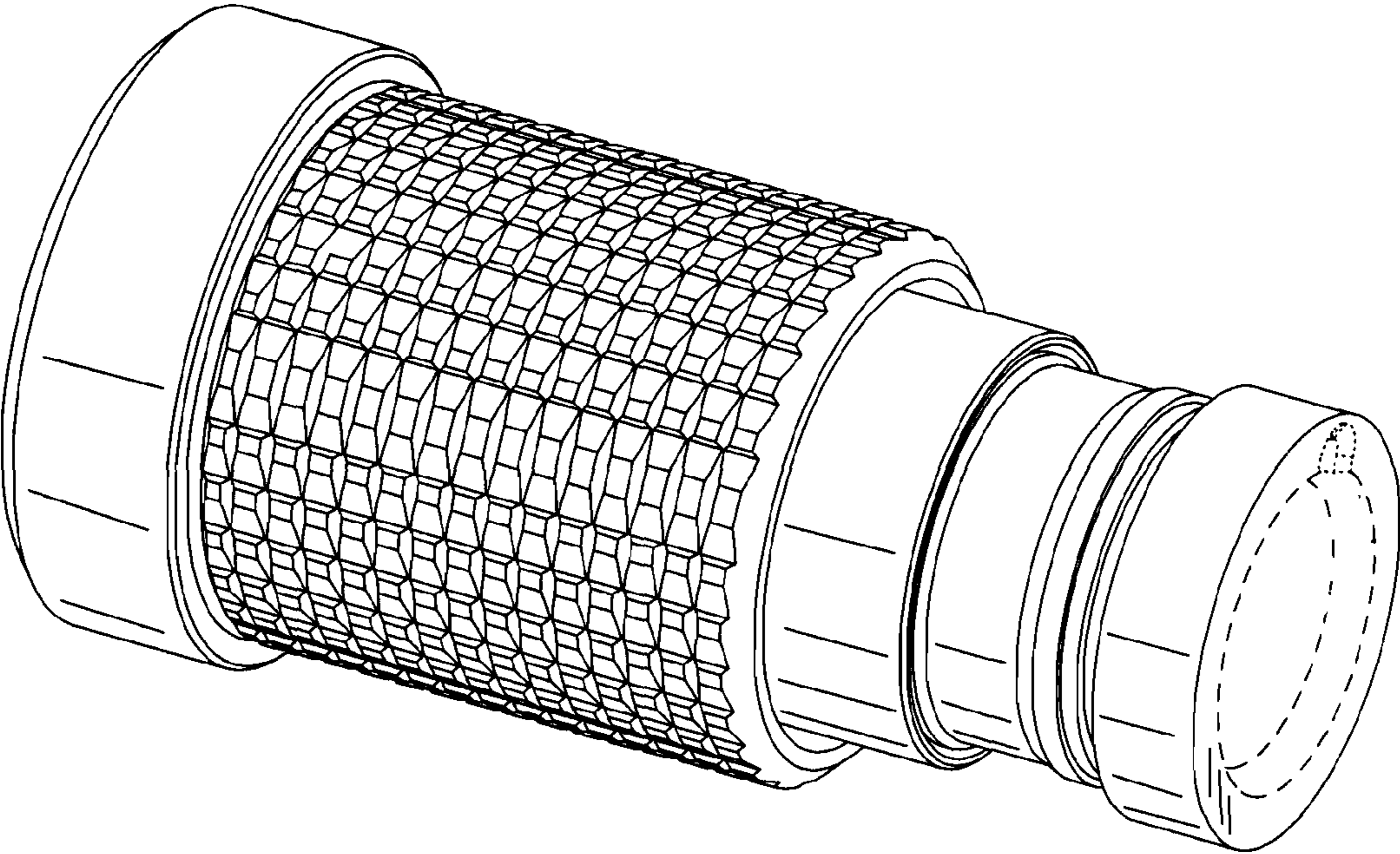


FIG. 1

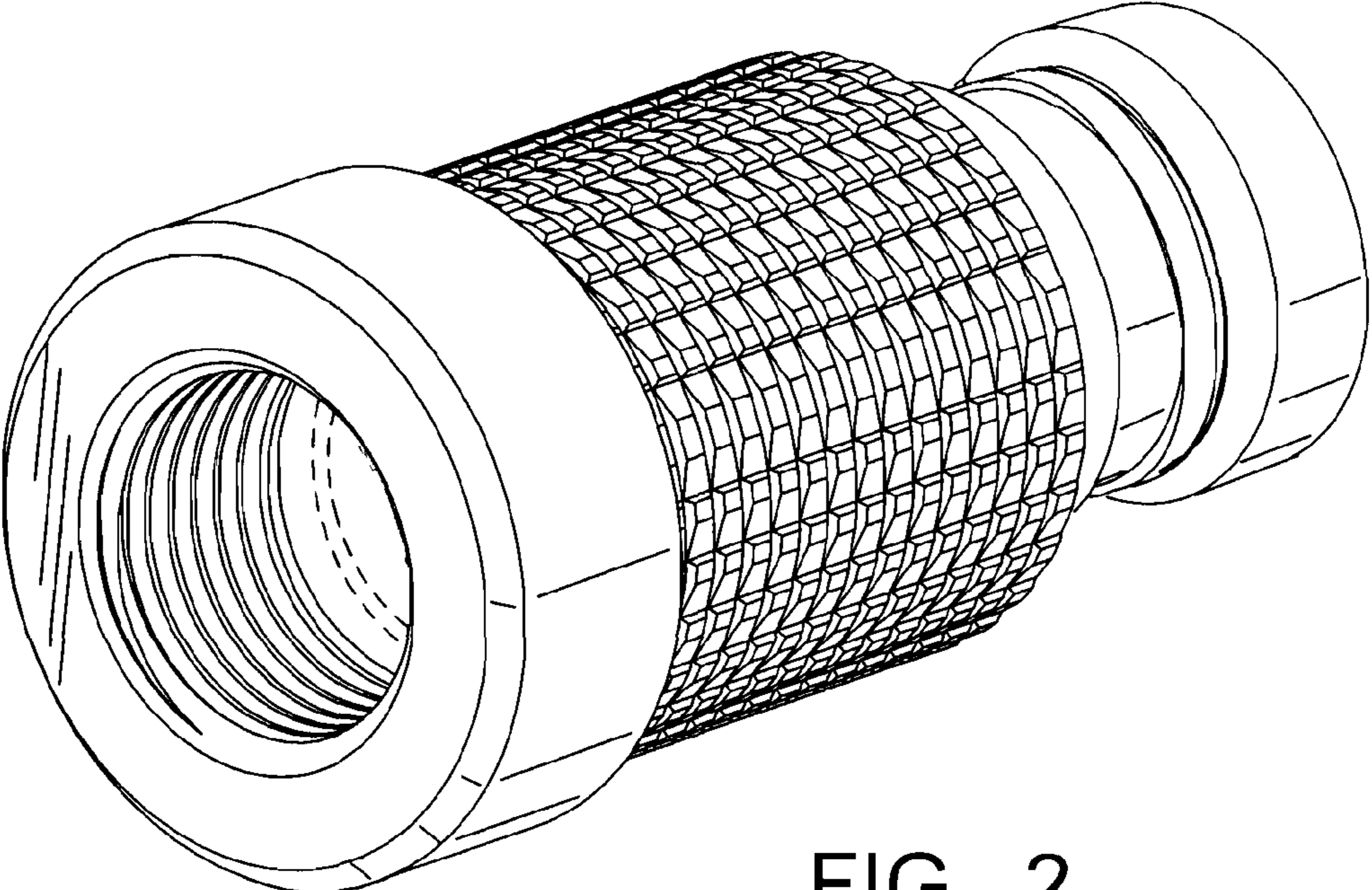


FIG. 2

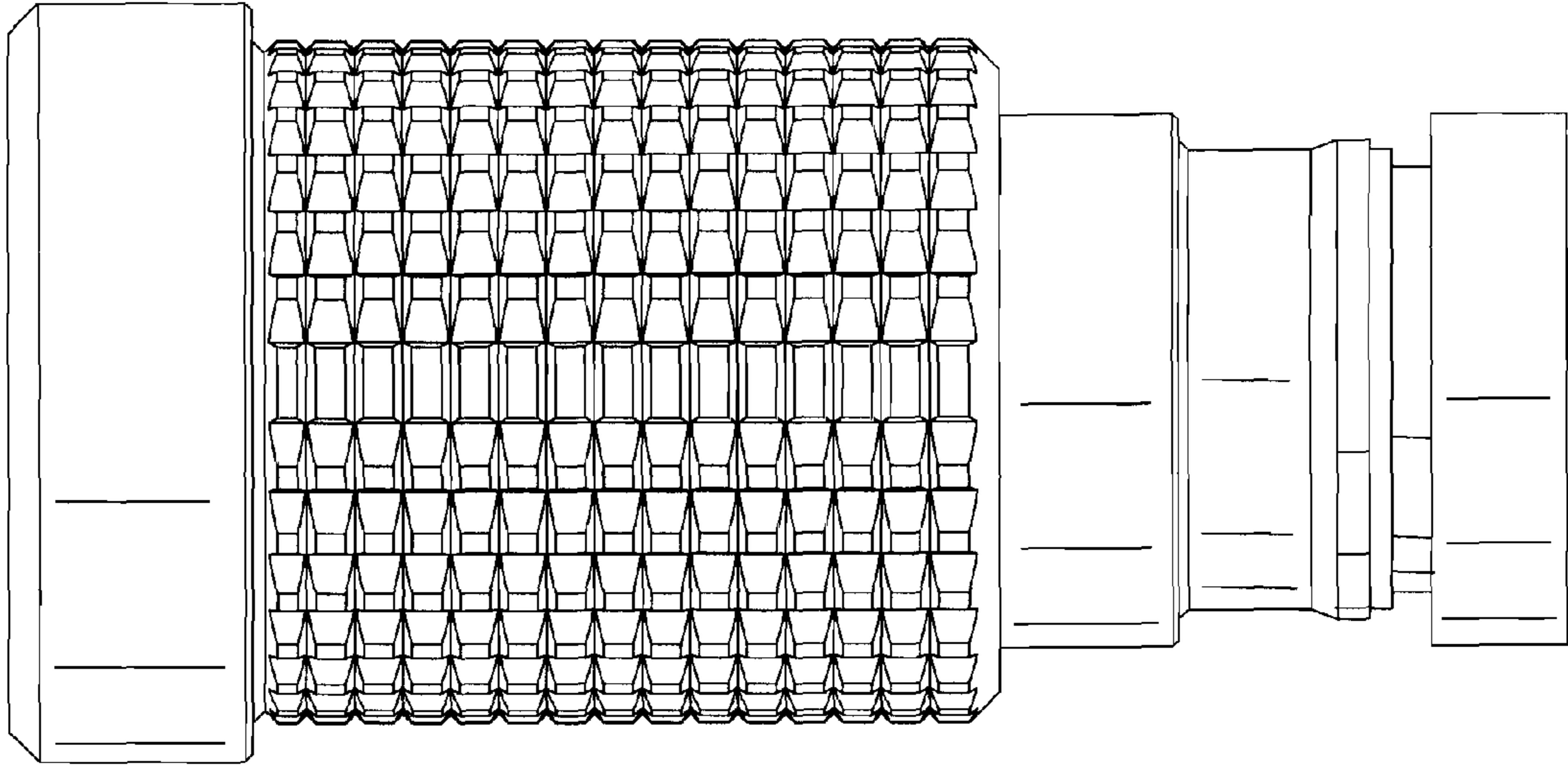


FIG. 3

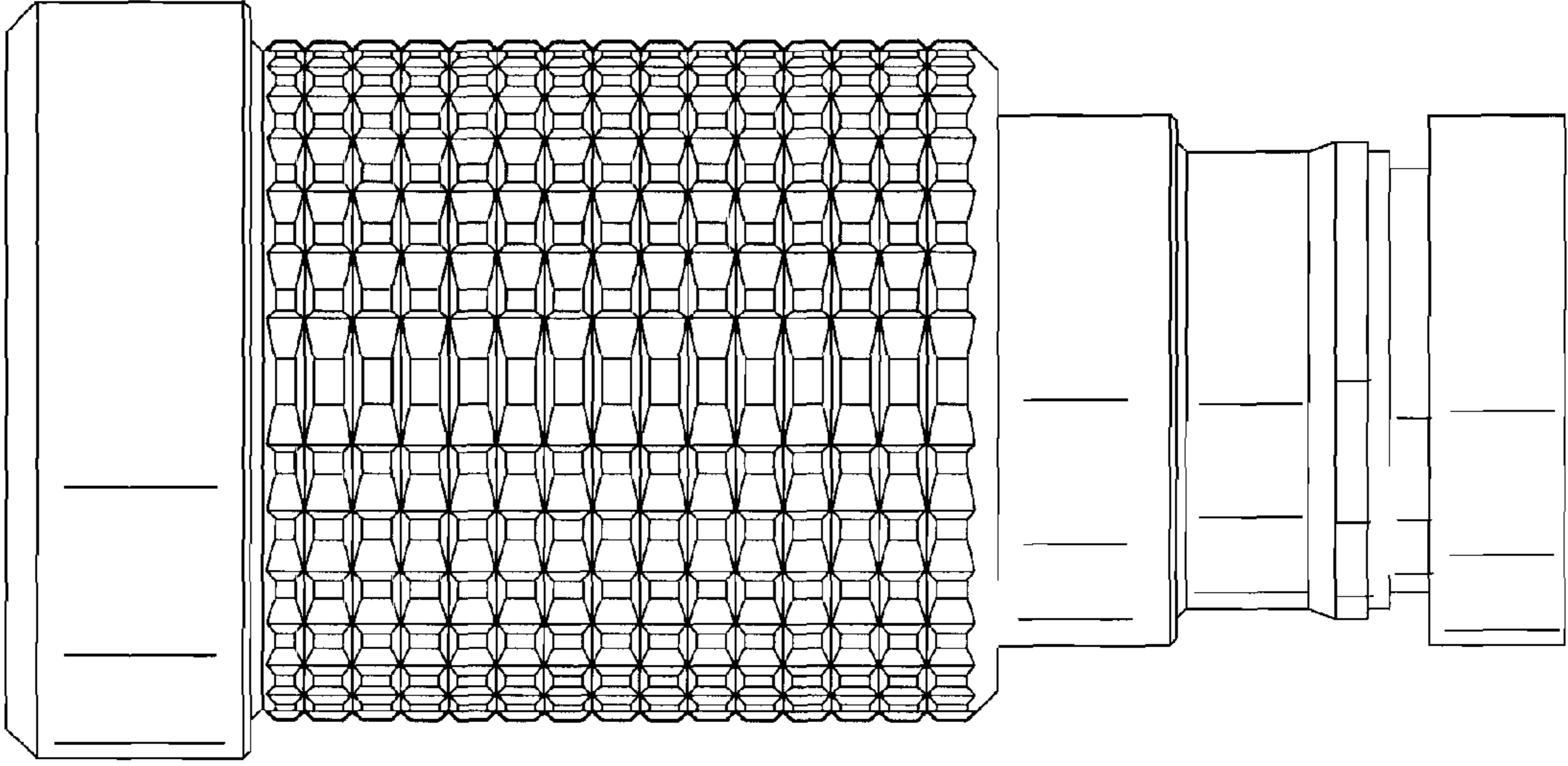


FIG. 4

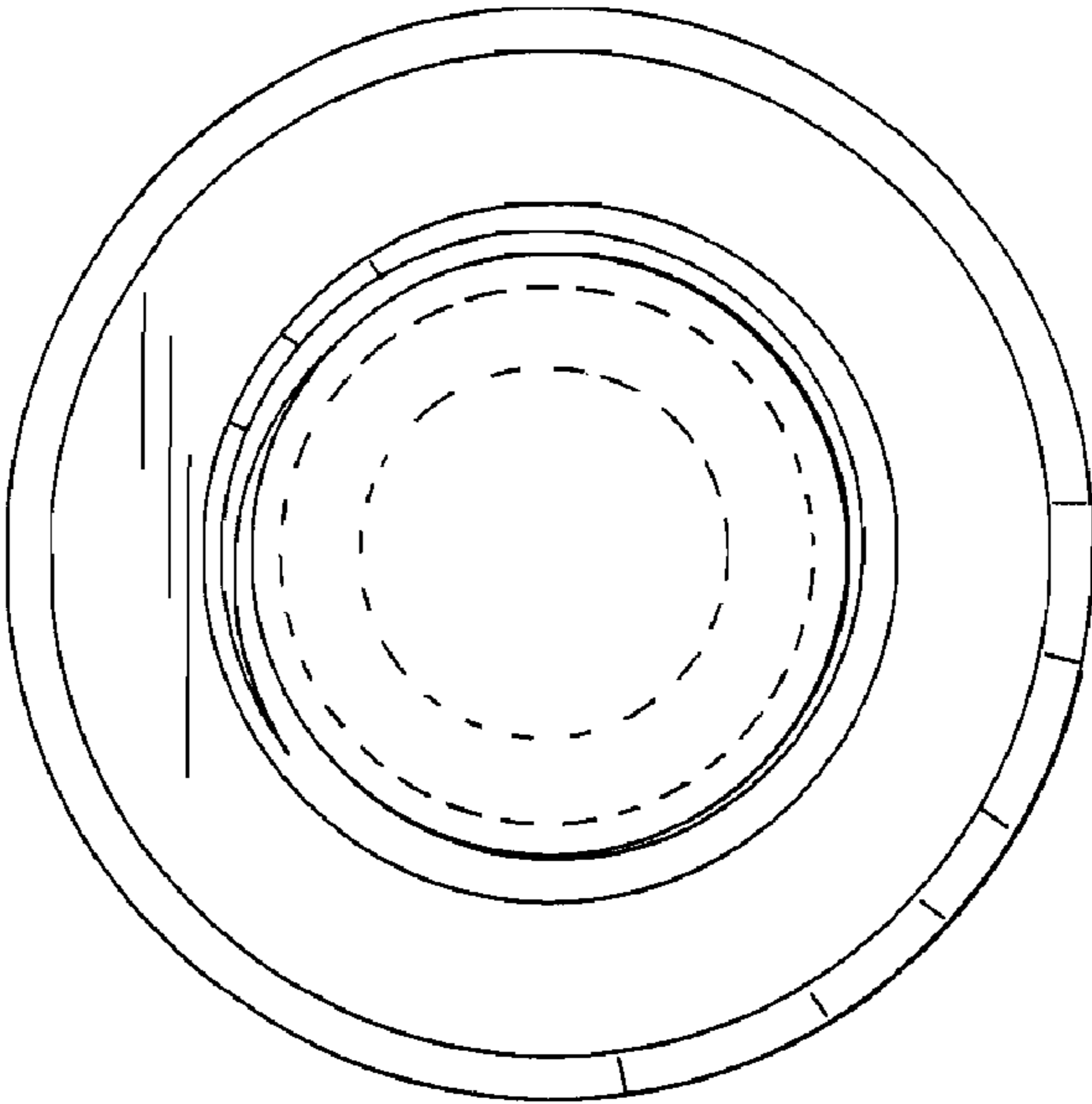


FIG. 5

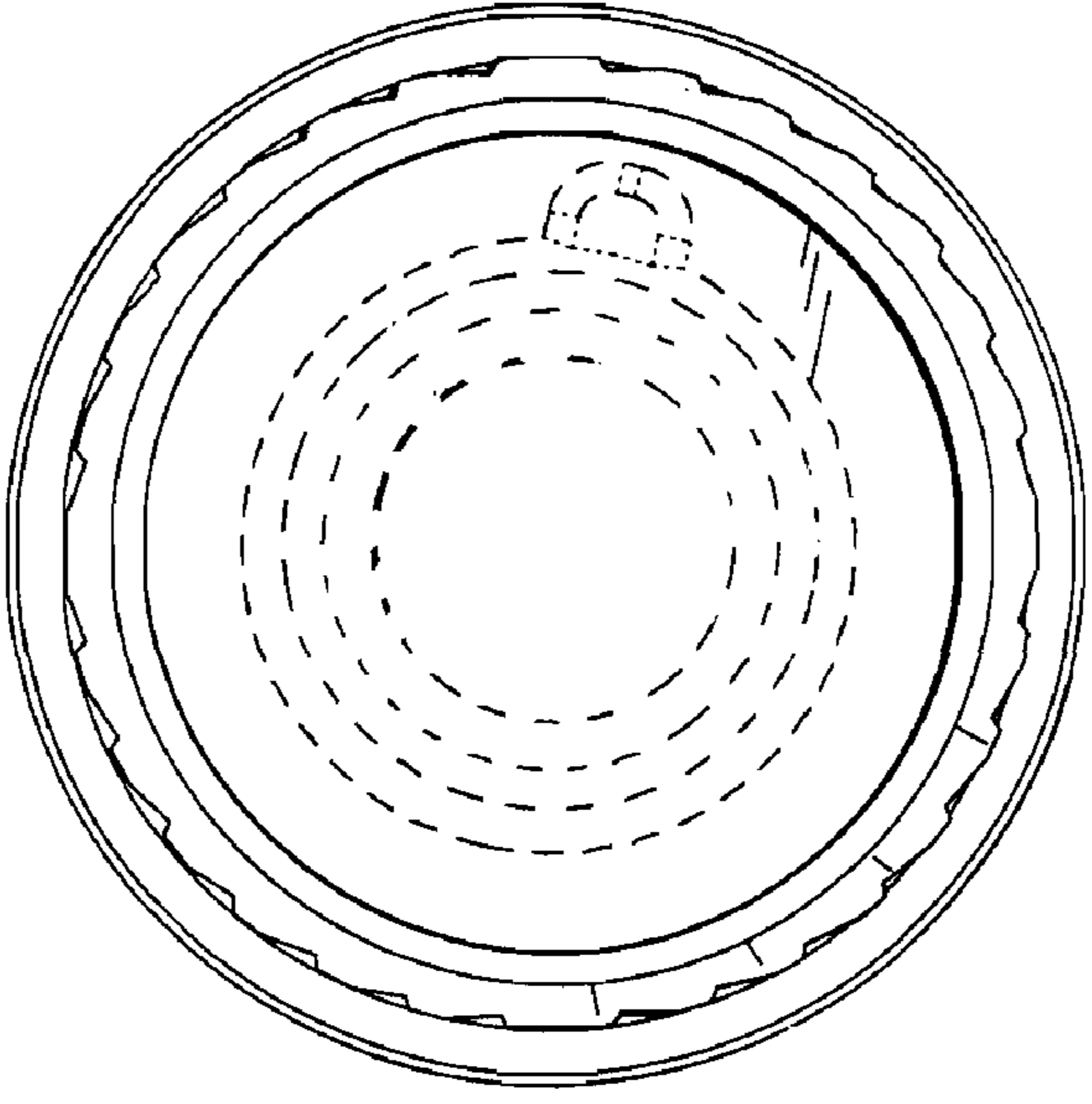


FIG. 6