

US00D600207S

(12) **United States Design Patent**  
**Lumpkins**

(10) **Patent No.:** **US D600,207 S**

(45) **Date of Patent:** **\*\* Sep. 15, 2009**

(54) **RUBBER COATED COPPER PLATE FOR PREVENTING AN ALTERNATOR REGULATOR OR GENERATOR FROM BREAKING DOWN**

5,707,258 A \* 1/1998 Pilotti ..... 439/763  
D486,791 S \* 2/2004 Franks, Jr. .... D13/133  
D556,130 S \* 11/2007 Tajima et al. .... D13/119

\* cited by examiner

(76) Inventor: **Robert M Lumpkins**, 917 4th Ave.,  
Asbury Park, NJ (US) 07712

*Primary Examiner*—Prabhakar Deshmukh  
*Assistant Examiner*—Derrick Holland

(\*\*) Term: **14 Years**

(57) **CLAIM**

(21) Appl. No.: **29/314,468**

The ornamental design for a rubber coated copper plate for preventing an alternator regulator or generator from breaking down, as shown and described.

(22) Filed: **Apr. 2, 2009**

(51) **LOC (9) Cl.** ..... **13-01**

(52) **U.S. Cl.** ..... **D13/118**

(58) **Field of Classification Search** ..... D13/118,  
D13/101, 112, 113, 119, 120, 122, 123, 124,  
D13/133, 149, 154; D8/354, 356, 380, 382;  
174/5 SB, 66, 67, 72 B, 102 C, 121 AR, 262;  
310/198; 439/753, 754, 756, 762, 763  
See application file for complete search history.

**DESCRIPTION**

FIG. 1 is a perspective view of a rubber coated copper plate for preventing an alternator regulator or generator from breaking down showing my new design;  
FIG. 2 is a top plan view thereof;  
FIG. 3 is a bottom plan view thereof;  
FIG. 4 is a left side elevational view thereof;  
FIG. 5 is a right side elevational view thereof;  
FIG. 6 is a front elevational view thereof; and,  
FIG. 7 is a rear elevational view thereof.

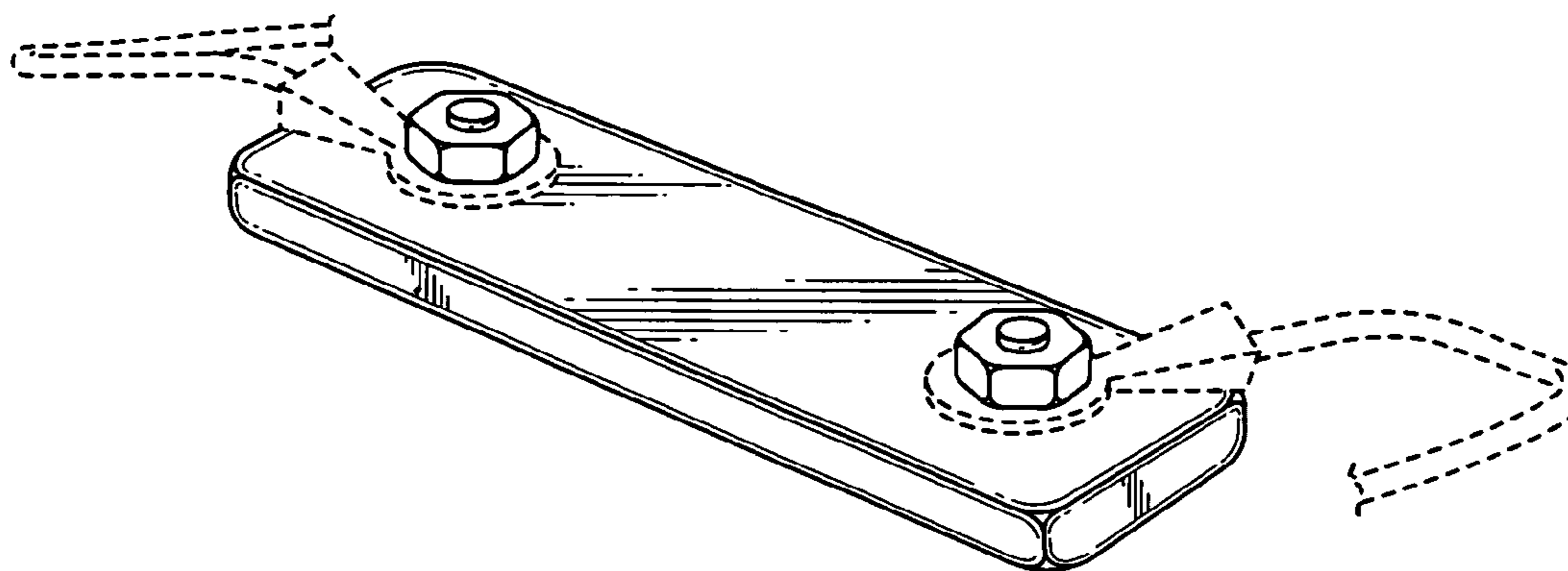
The broken lines shown represent unclaimed subject matter and form no part of the claimed design.

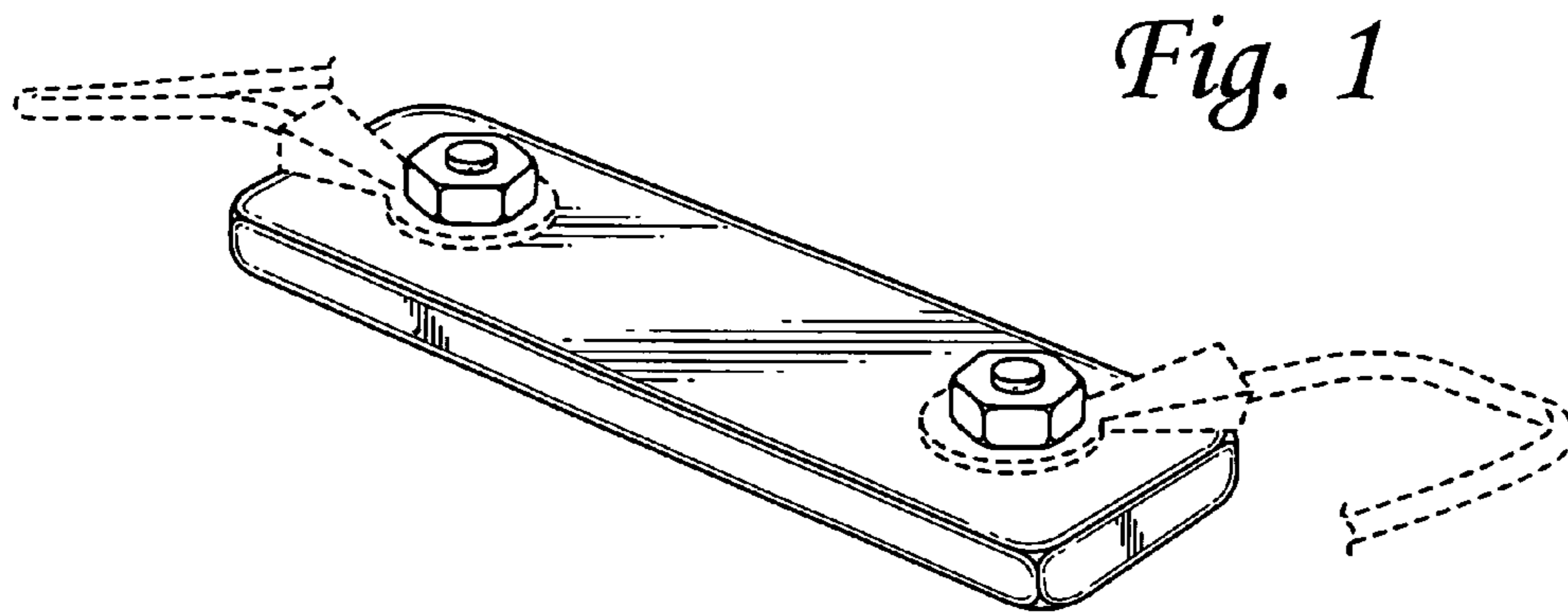
(56) **References Cited**

**U.S. PATENT DOCUMENTS**

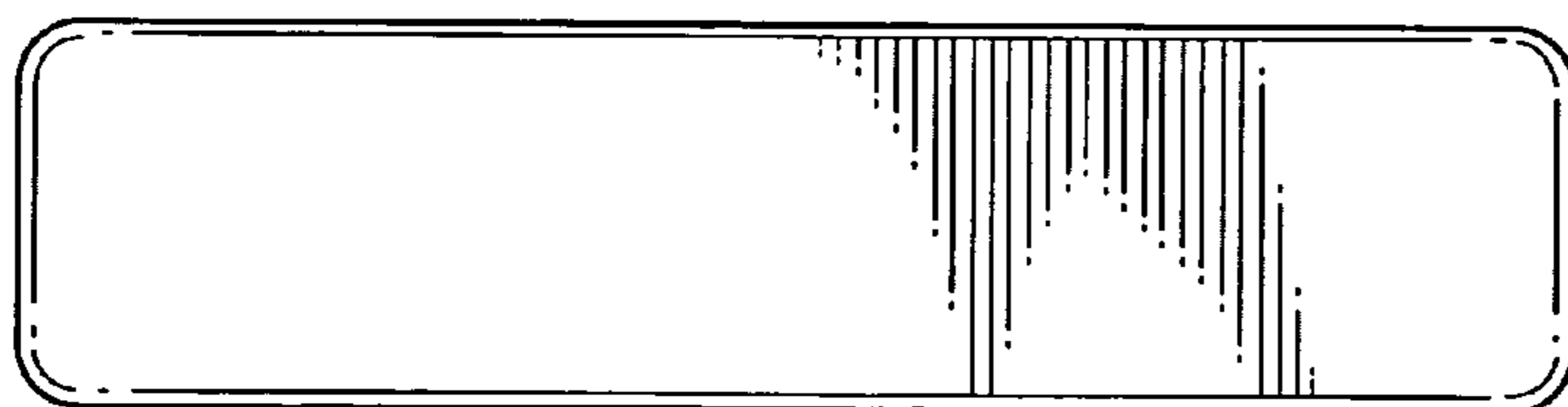
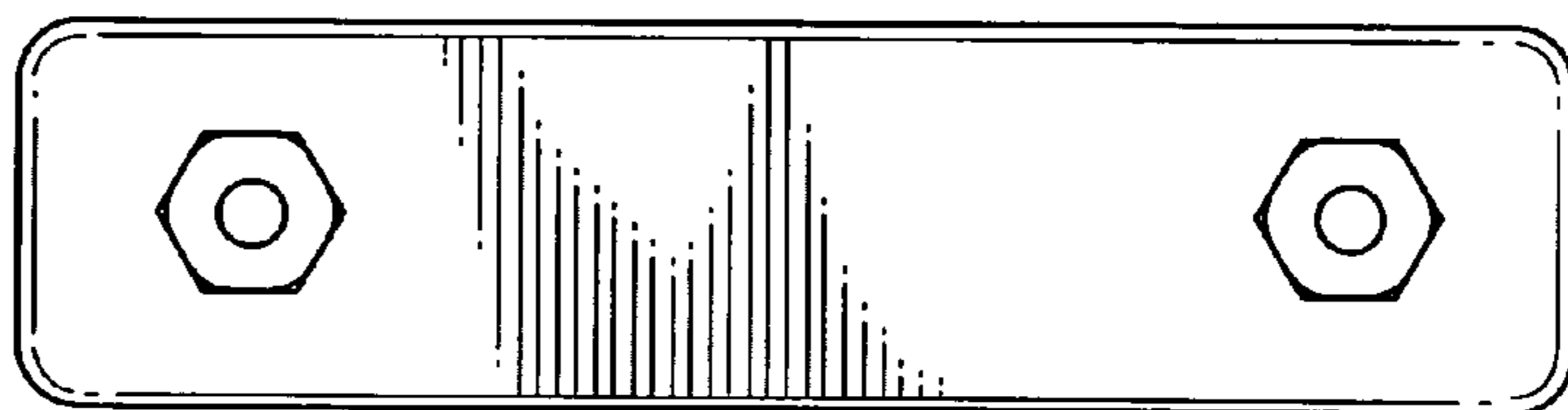
4,000,729 A 1/1977 Clark, Jr.  
4,380,727 A 4/1983 Gray  
D314,825 S \* 2/1991 Torre ..... D24/135  
D351,825 S \* 10/1994 Sachs ..... D13/154  
D360,186 S 7/1995 Netz  
D364,332 S \* 11/1995 Sachs ..... D8/354

**1 Claim, 2 Drawing Sheets**



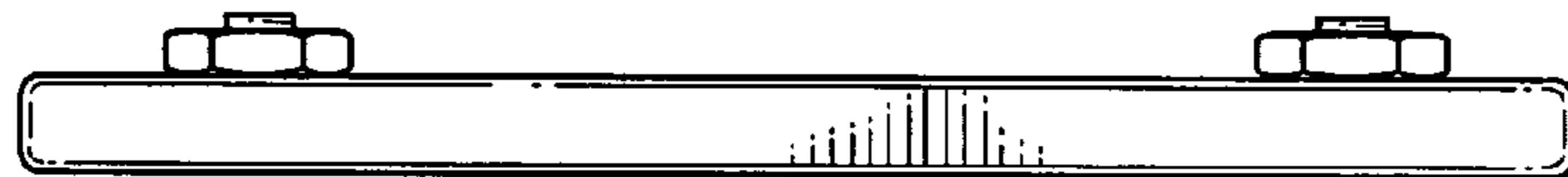
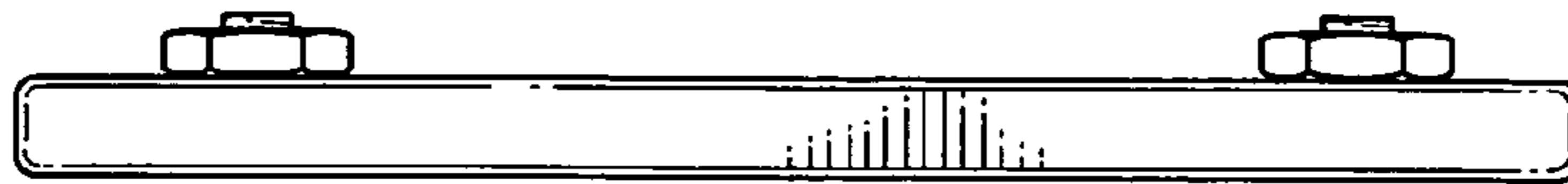


*Fig. 2*



*Fig. 3*

*Fig. 4*



*Fig. 5*



*Fig. 6*

*Fig. 7*

