



US00D600206S

(12) **United States Design Patent**  
**Ledbetter et al.**

(10) **Patent No.:** **US D600,206 S**

(45) **Date of Patent:** **\*\* Sep. 15, 2009**

(54) **PORTION OF A CHARGER**

(75) Inventors: **Carl J. Ledbetter**, Mercer Island, WA (US); **John Ikeda**, Seattle, WA (US); **Michael Baseflug**, Duball, WA (US); **Jonathan Reed Harris**, Redmond, WA (US); **Anthony Reed**, Seattle, WA (US); **Peter Newbury**, Seattle, WA (US)

(73) Assignee: **Microsoft Corporation**, Redmond, WA (US)

(\*\*) Term: **14 Years**

(21) Appl. No.: **29/283,833**

(22) Filed: **Aug. 24, 2007**

(51) **LOC (9) Cl.** ..... **13-02**

(52) **U.S. Cl.** ..... **D13/118; D13/110**

(58) **Field of Classification Search** ..... D13/110,  
D13/118, 107, 108, 123, 144, 199; D14/432,  
D14/433; 307/150, 151; 320/114; 361/600;  
439/668, 669

See application file for complete search history.

(56) **References Cited**

**U.S. PATENT DOCUMENTS**

5,230,641 A \* 7/1993 Wharton ..... 439/668  
D400,176 S \* 10/1998 Jones ..... D13/144  
D409,568 S \* 5/1999 Lindahl ..... D13/144

5,964,623 A \* 10/1999 Maher et al. .... 439/668  
D418,213 S \* 12/1999 Colandro ..... D23/366  
D494,542 S \* 8/2004 Hriscu et al. .... D13/110  
D507,527 S \* 7/2005 Huang ..... D13/110  
D525,937 S \* 8/2006 Seil et al. .... D13/144

\* cited by examiner

*Primary Examiner*—Prabhakar Deshmukh

*Assistant Examiner*—Derrick Holland

(74) *Attorney, Agent, or Firm*—Banner & Witcoff, Ltd.

(57) **CLAIM**

The ornamental design for a portion of a charger, as shown and described.

**DESCRIPTION**

FIG. 1 is a front perspective view of a portion of a charger showing our new design;

FIG. 2 is a front view thereof;

FIG. 3 is a rear view thereof;

FIG. 4 is a right side view thereof;

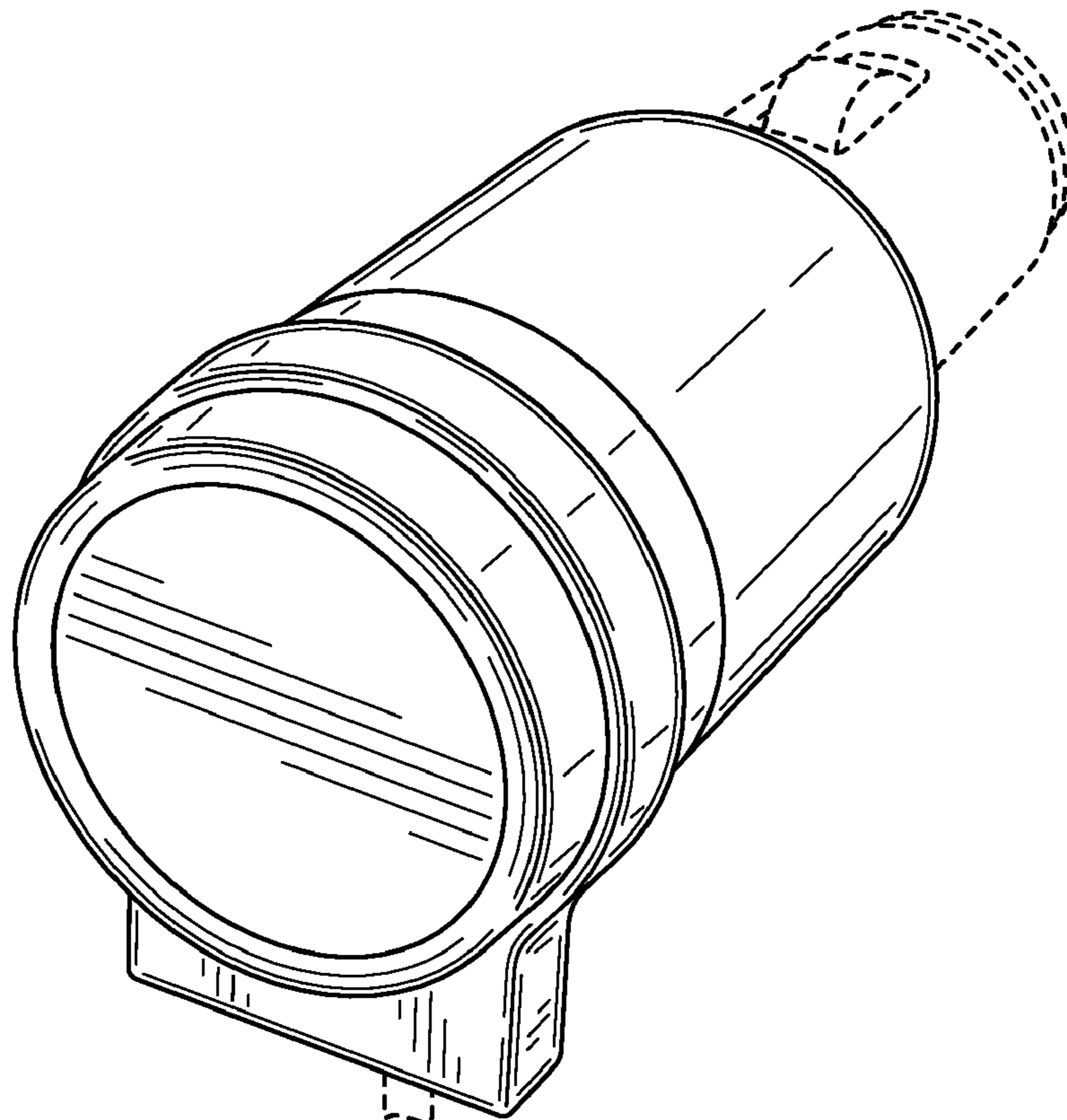
FIG. 5 is a left side view thereof;

FIG. 6 is a top view thereof; and,

FIG. 7 is a bottom view thereof.

The broken lines shown represent unclaimed subject matter and form no part of the claimed design.

**1 Claim, 4 Drawing Sheets**



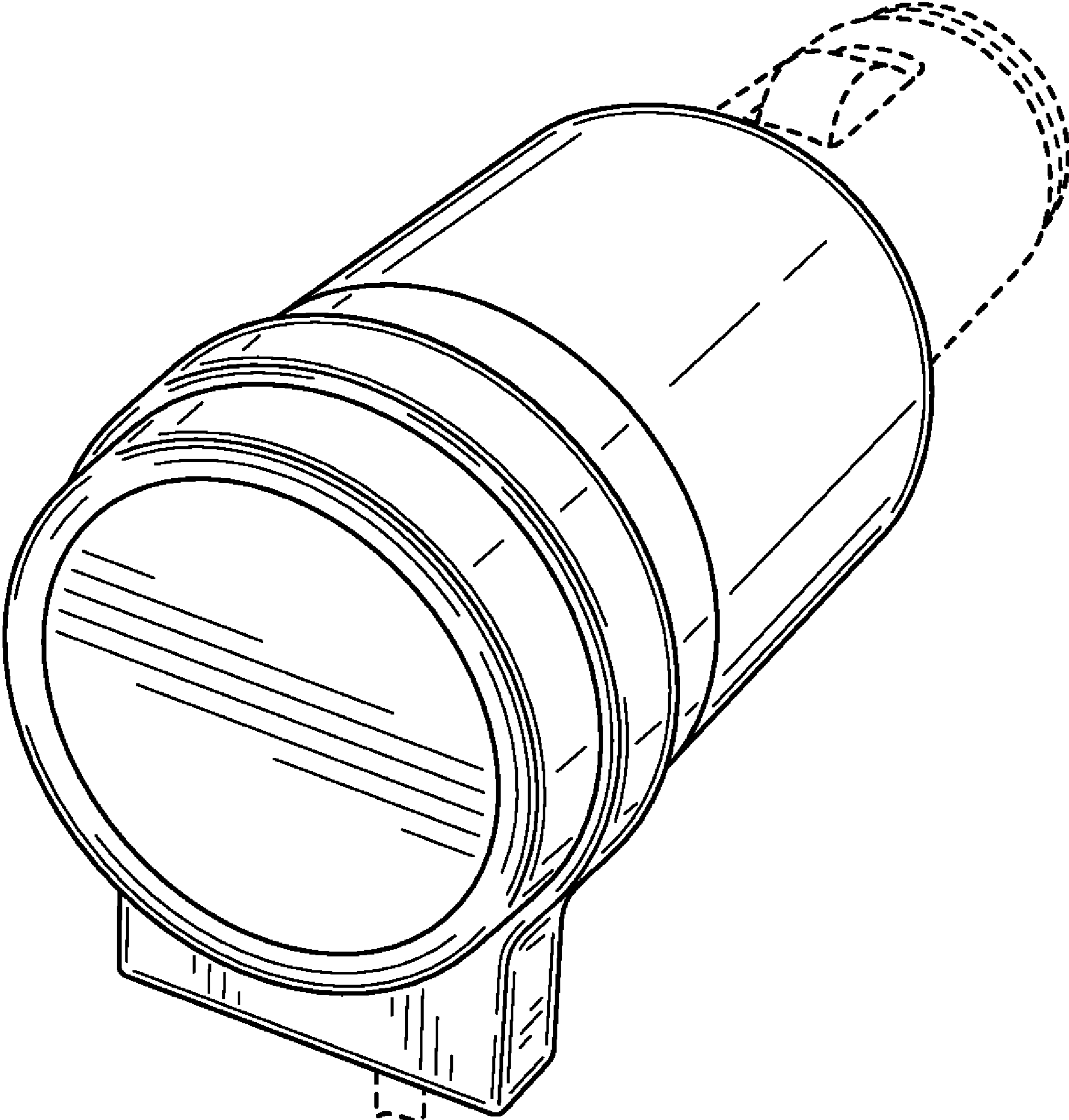


FIG. 1

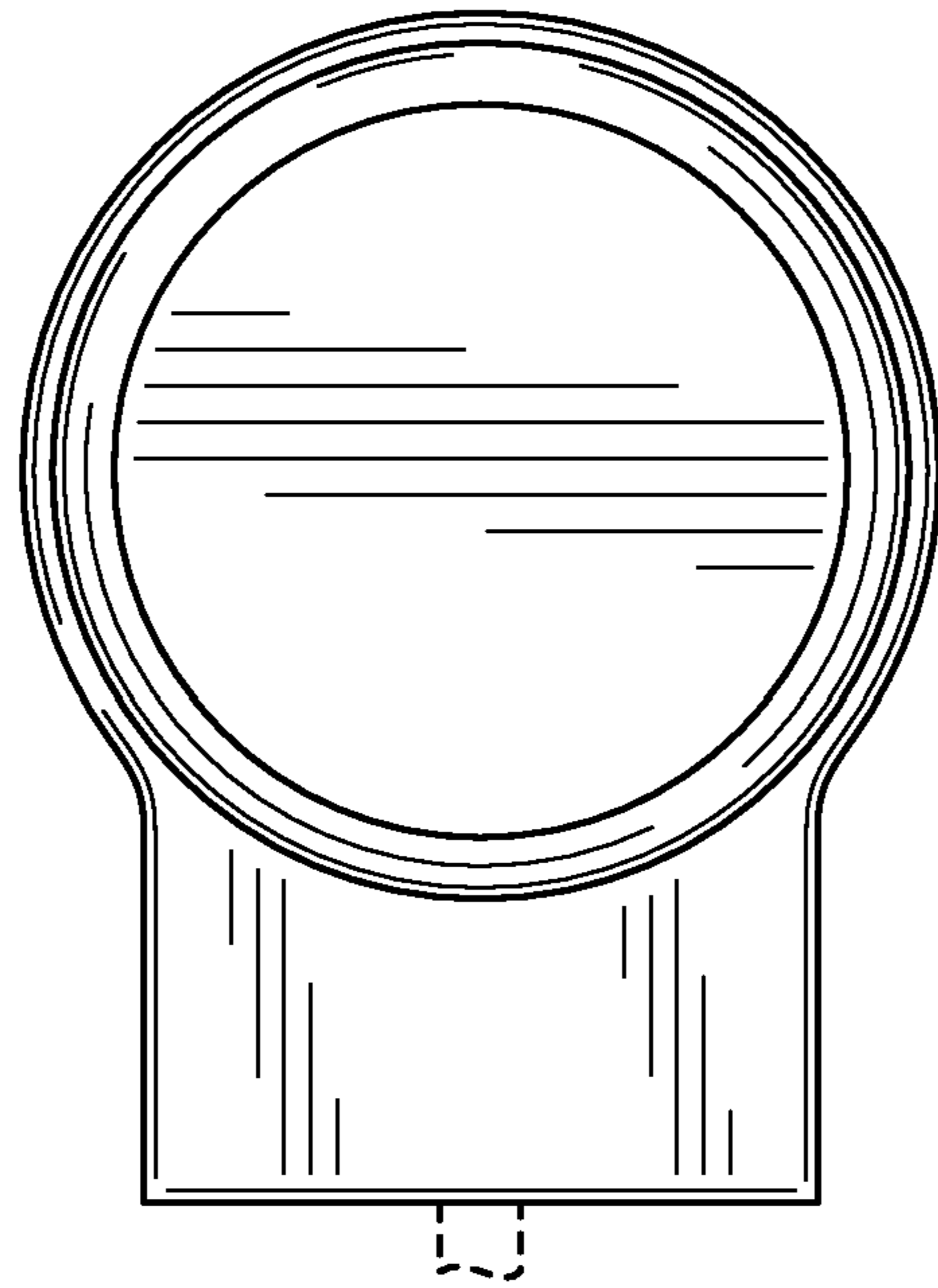


FIG. 2

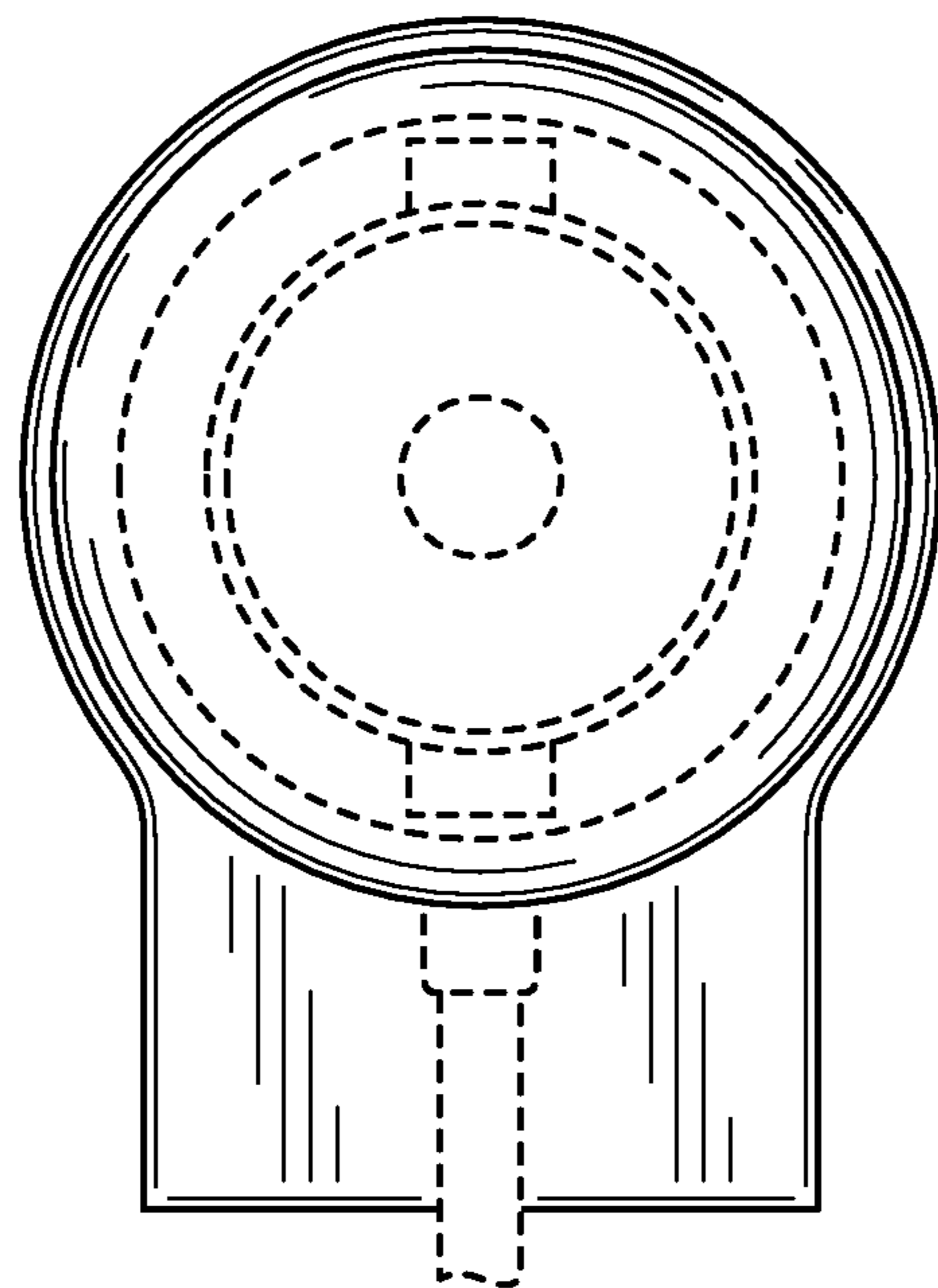


FIG. 3

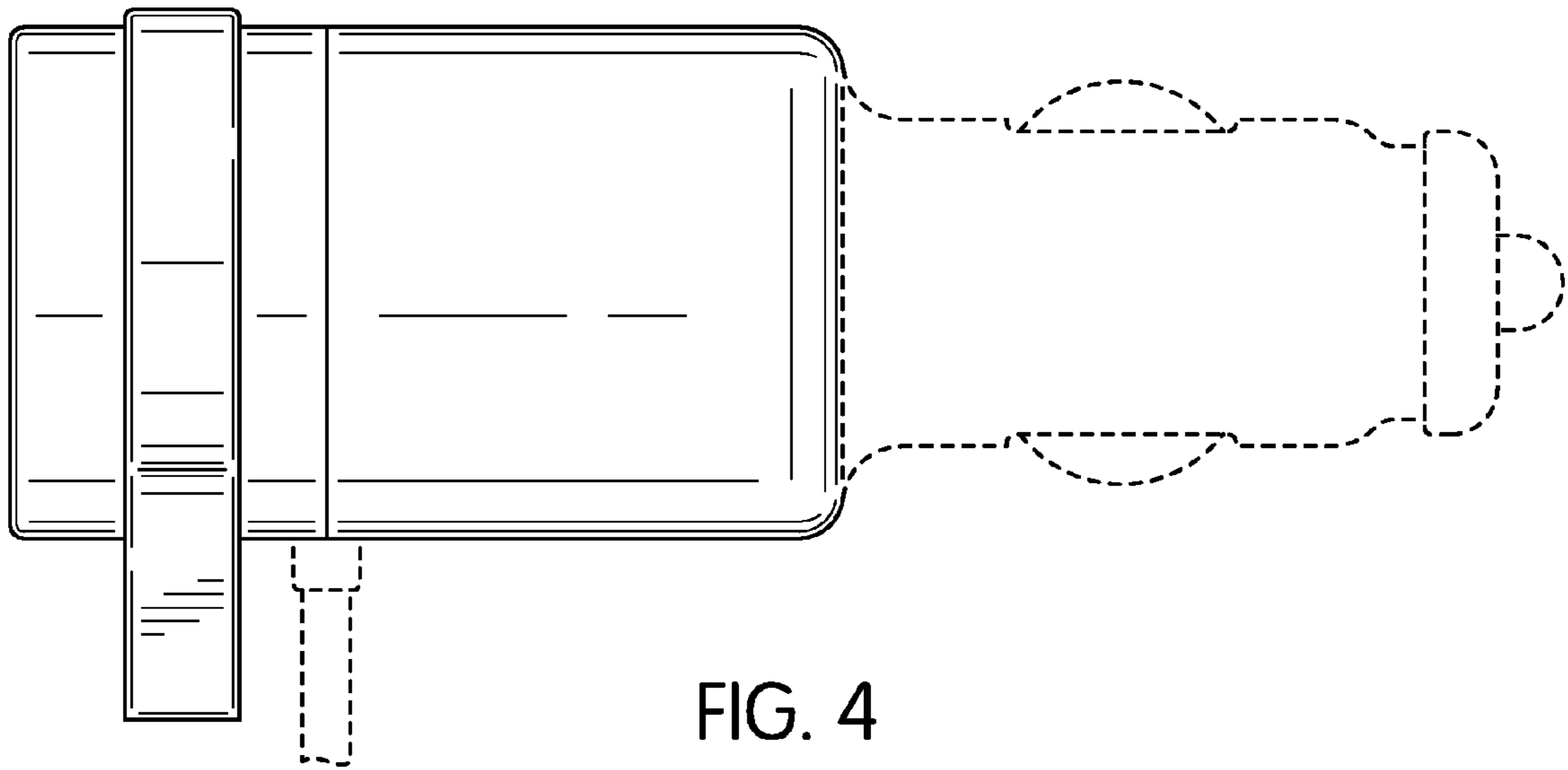


FIG. 4

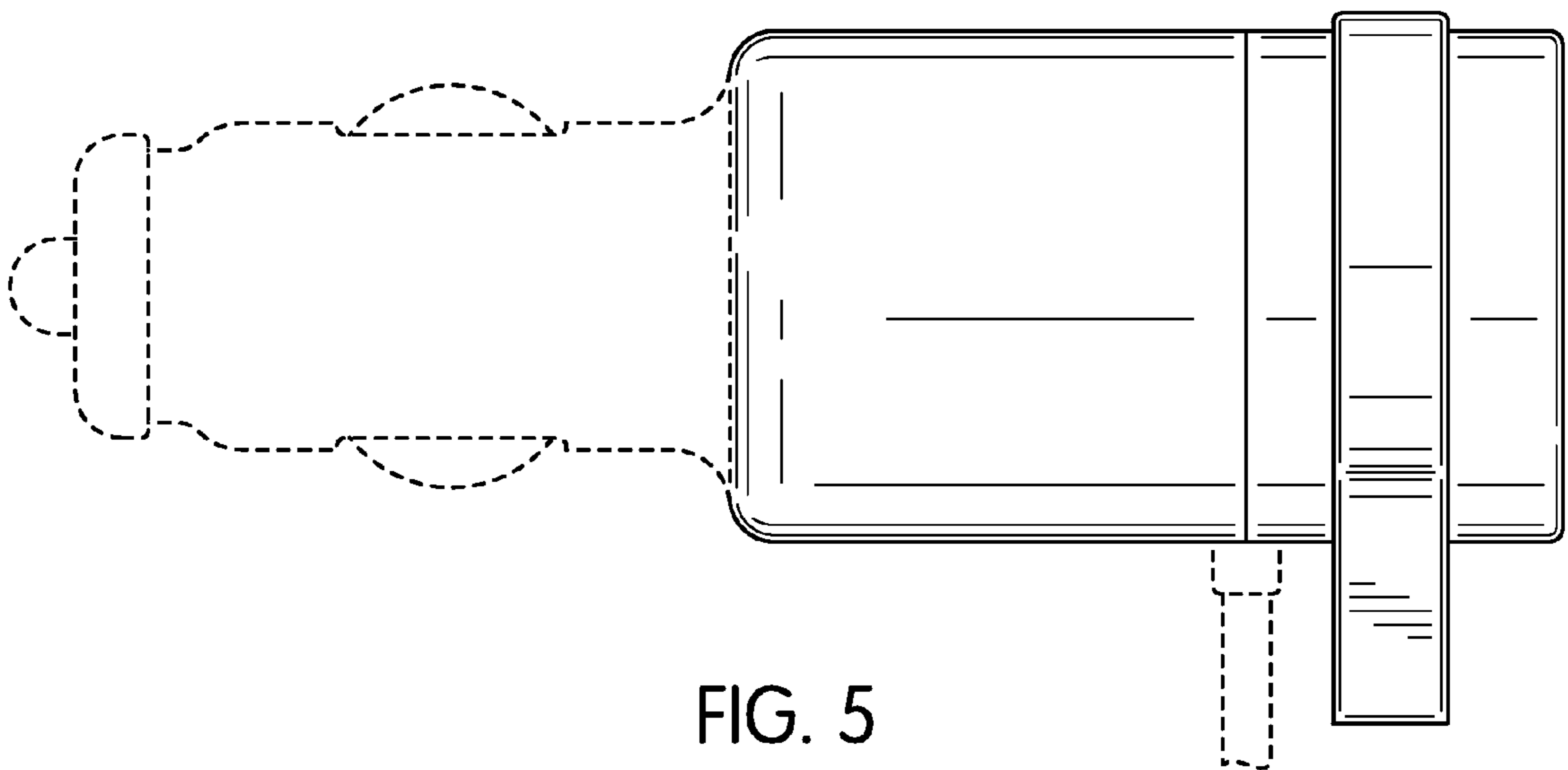


FIG. 5

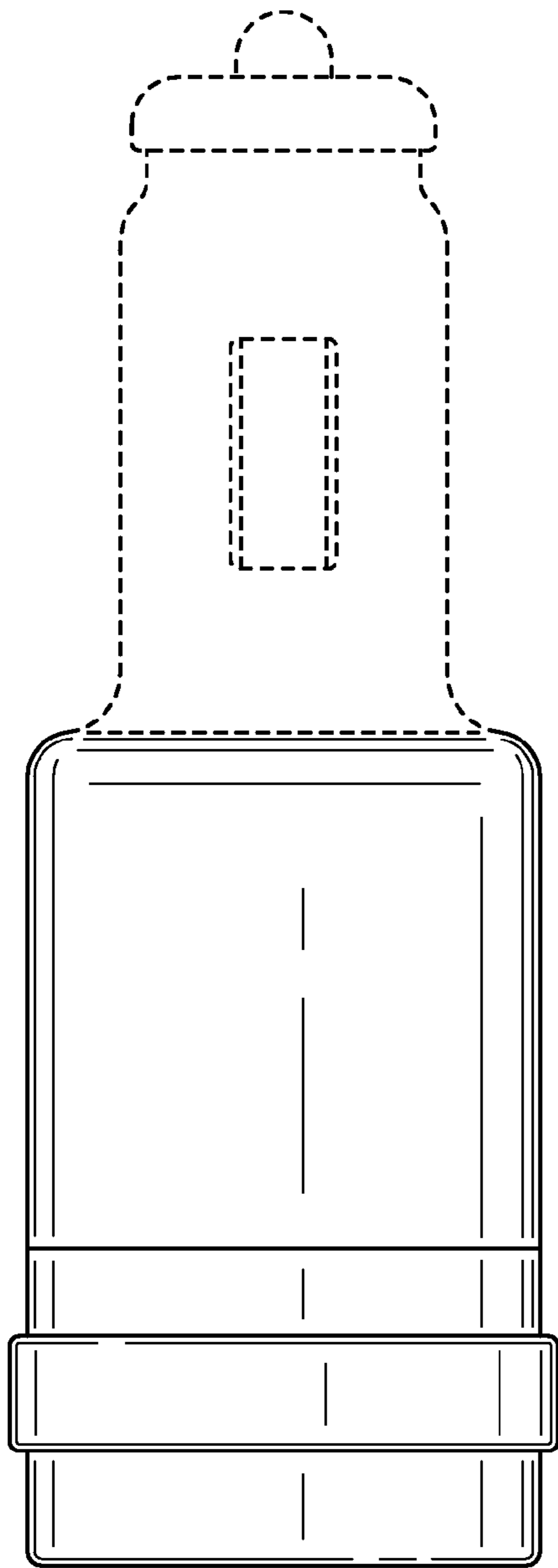


FIG. 6

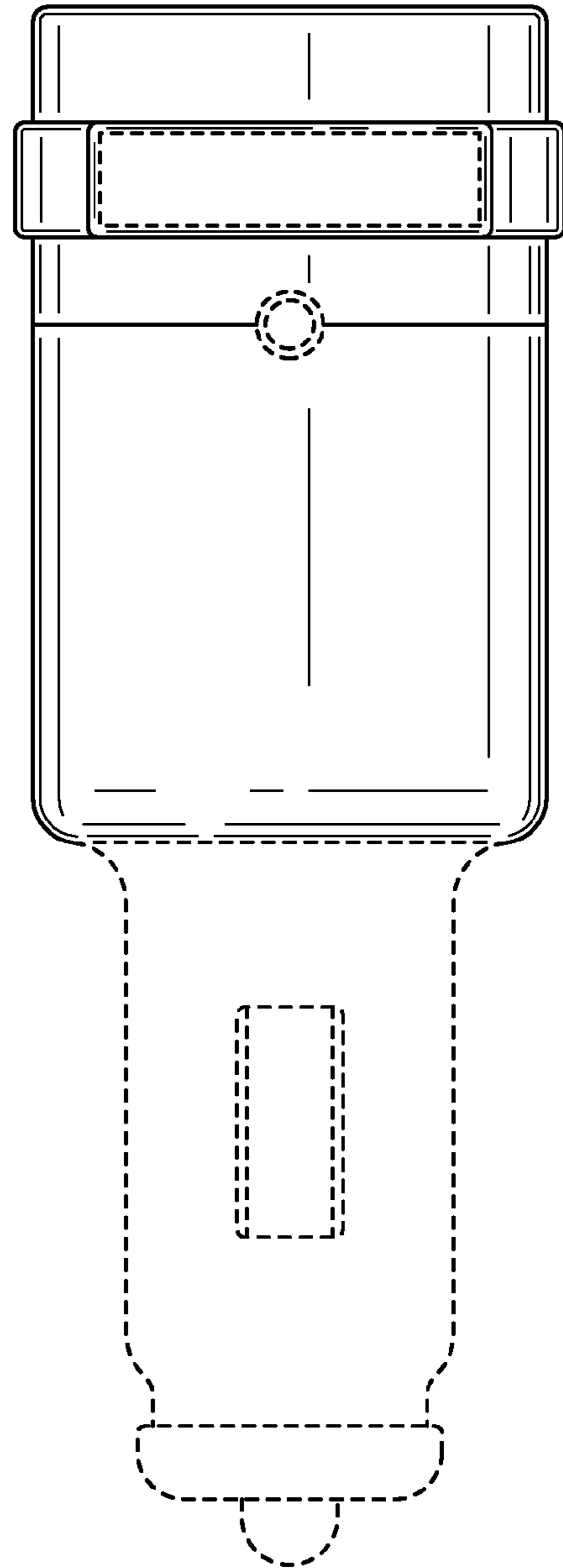


FIG. 7