



US00D600205S

(12) **United States Design Patent**
Imai

(10) **Patent No.:** **US D600,205 S**

(45) **Date of Patent:** **** Sep. 15, 2009**

(54) **ENGINE OPERATED GENERATOR**

(75) Inventor: **Shuhei Imai**, Saitama (JP)

(73) Assignee: **Honda Motor Co., Ltd.**, Tokyo (JP)

(**) Term: **14 Years**

(21) Appl. No.: **29/331,618**

(22) Filed: **Jan. 29, 2009**

(30) **Foreign Application Priority Data**

Aug. 1, 2008 (JP) 2008-019931

(51) **LOC (9) Cl.** **13-01**

(52) **U.S. Cl.** **D13/116**

(58) **Field of Classification Search** D13/116,
D13/112, 114, 122, 184, 199; 290/1 A, 1 B;
307/150, 151, 153, 154; 322/1
See application file for complete search history.

(56) **References Cited**

U.S. PATENT DOCUMENTS

- D309,597 S * 7/1990 Higuchi et al. D13/116
- D416,537 S * 11/1999 Imai et al. D13/116
- 6,661,107 B2 * 12/2003 Higuchi et al. 290/1 A
- D511,139 S * 11/2005 Xiao D13/116
- D518,771 S * 4/2006 Xiao D13/116
- 7,309,927 B2 * 12/2007 Sugiyama et al. 290/1 A

2004/0021320 A1* 2/2004 Yamada et al. 290/1 B

FOREIGN PATENT DOCUMENTS

JP H108-2436 8/2008

* cited by examiner

Primary Examiner—Prabhakar Deshmukh

Assistant Examiner—Derrick Holland

(74) *Attorney, Agent, or Firm*—Westerman, Hattori, Daniels & Adrian, LLP.

(57) **CLAIM**

The ornamental design for, an engine operated generator, as shown and described.

DESCRIPTION

FIG. 1 is a first perspective view of an engine operated generator, showing our new design;

FIG. 2 is a second perspective view thereof;

FIG. 3 is a front elevation view thereof;

FIG. 4 is a rear elevation view thereof;

FIG. 5 is a top plan view thereof;

FIG. 6 is a right side elevation view thereof; and,

FIG. 7 is a left side elevation view thereof.

The broken lines are for illustrative purposes only and form no part of the claimed design.

1 Claim, 7 Drawing Sheets

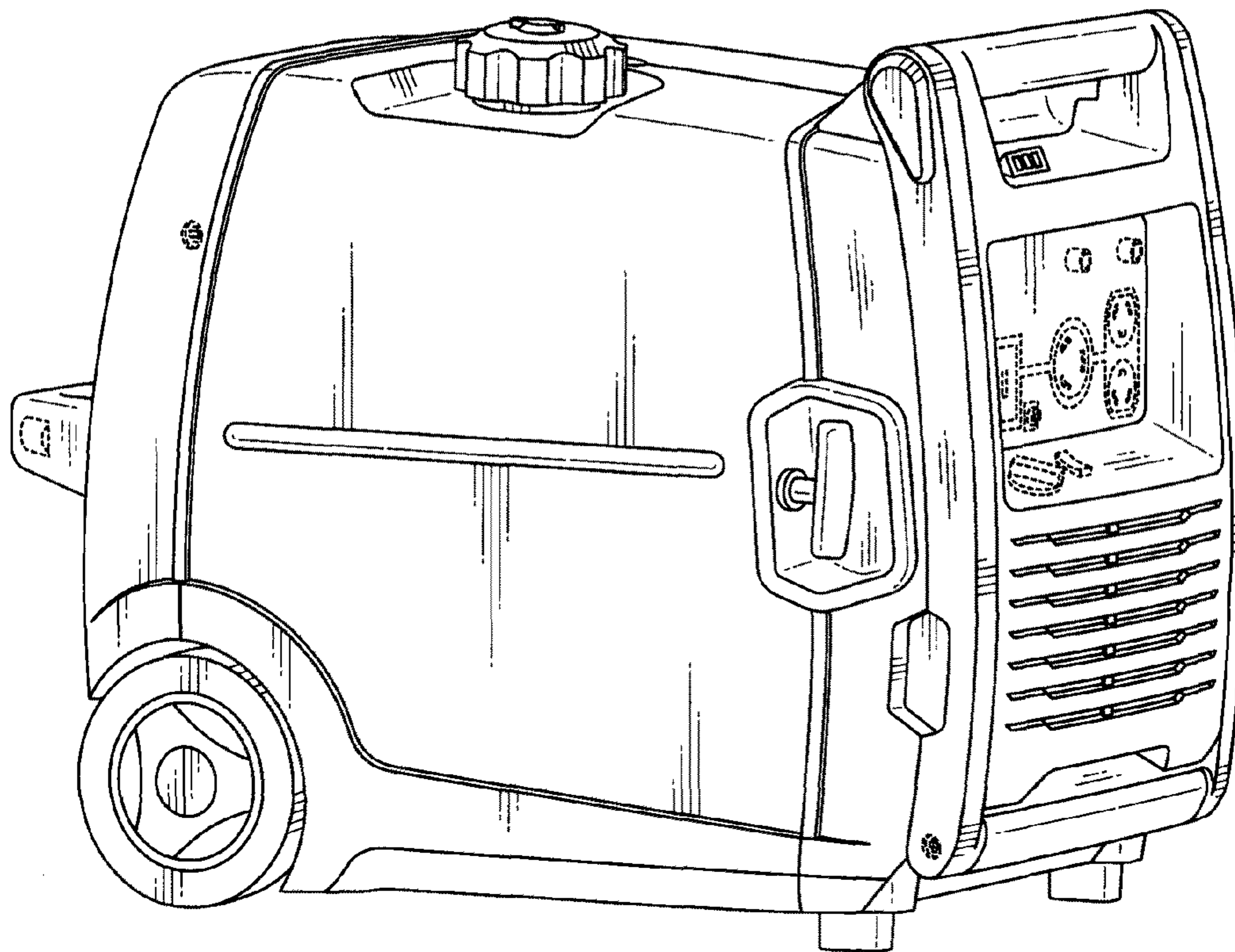


FIG. 1

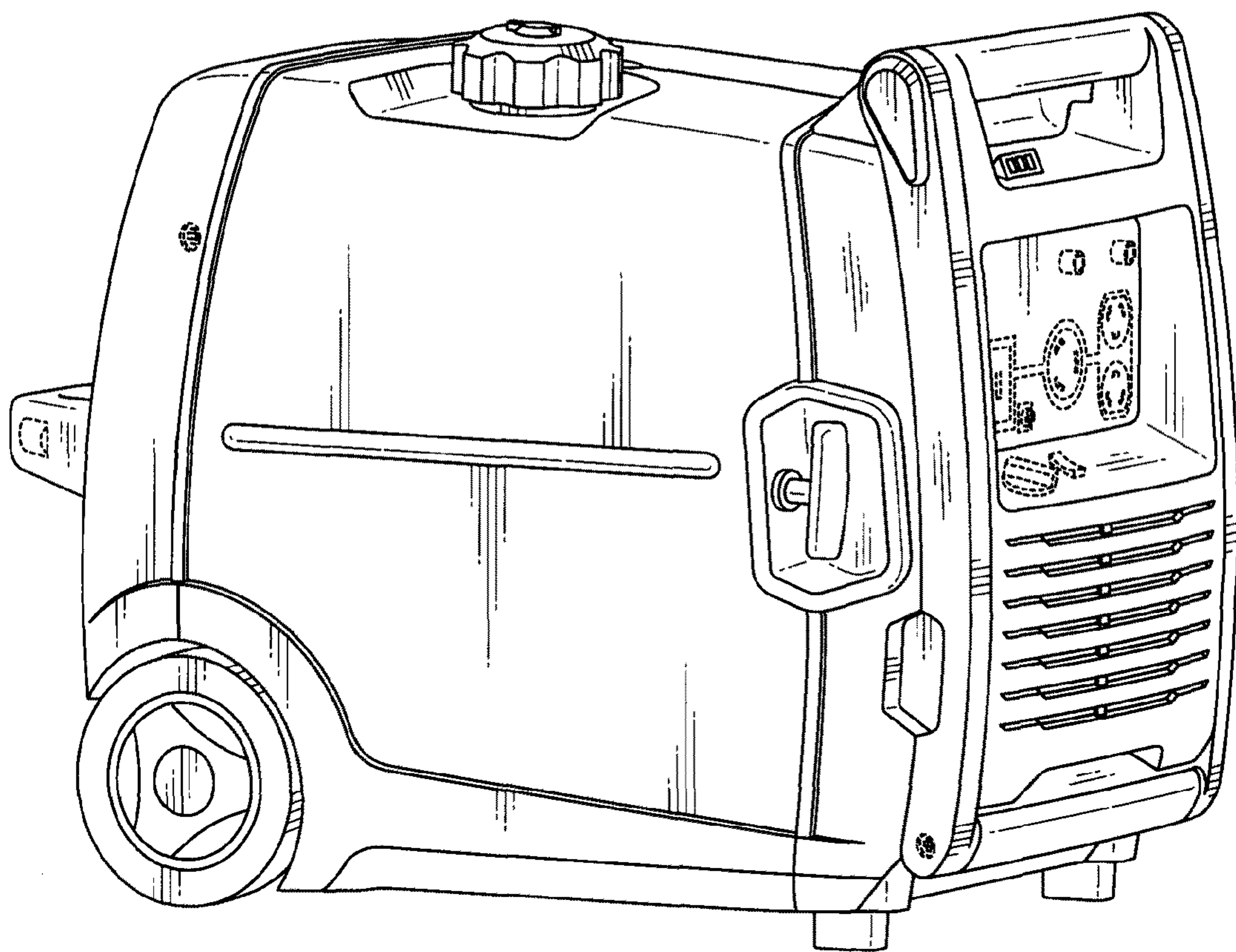


FIG.2

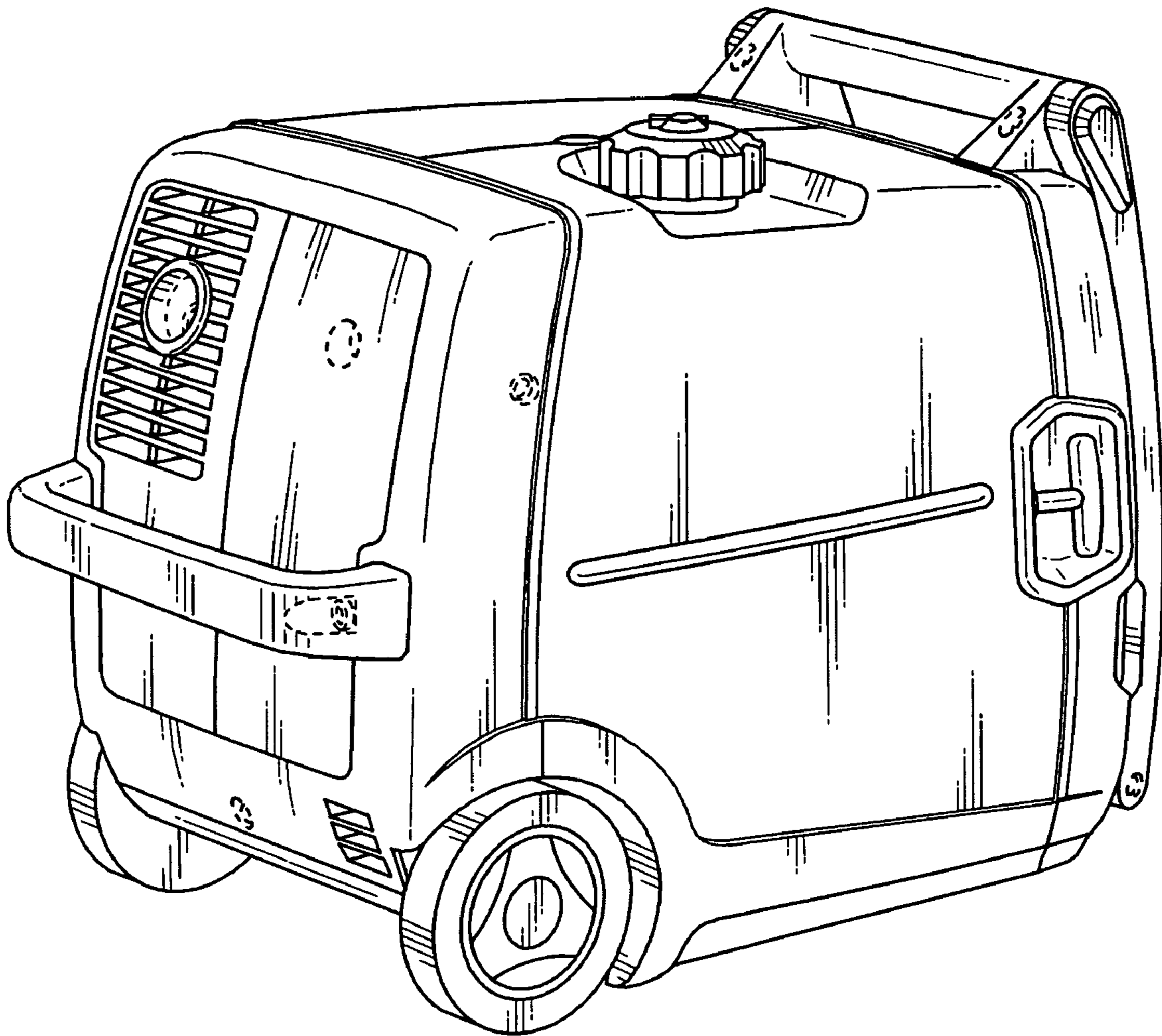


FIG.3

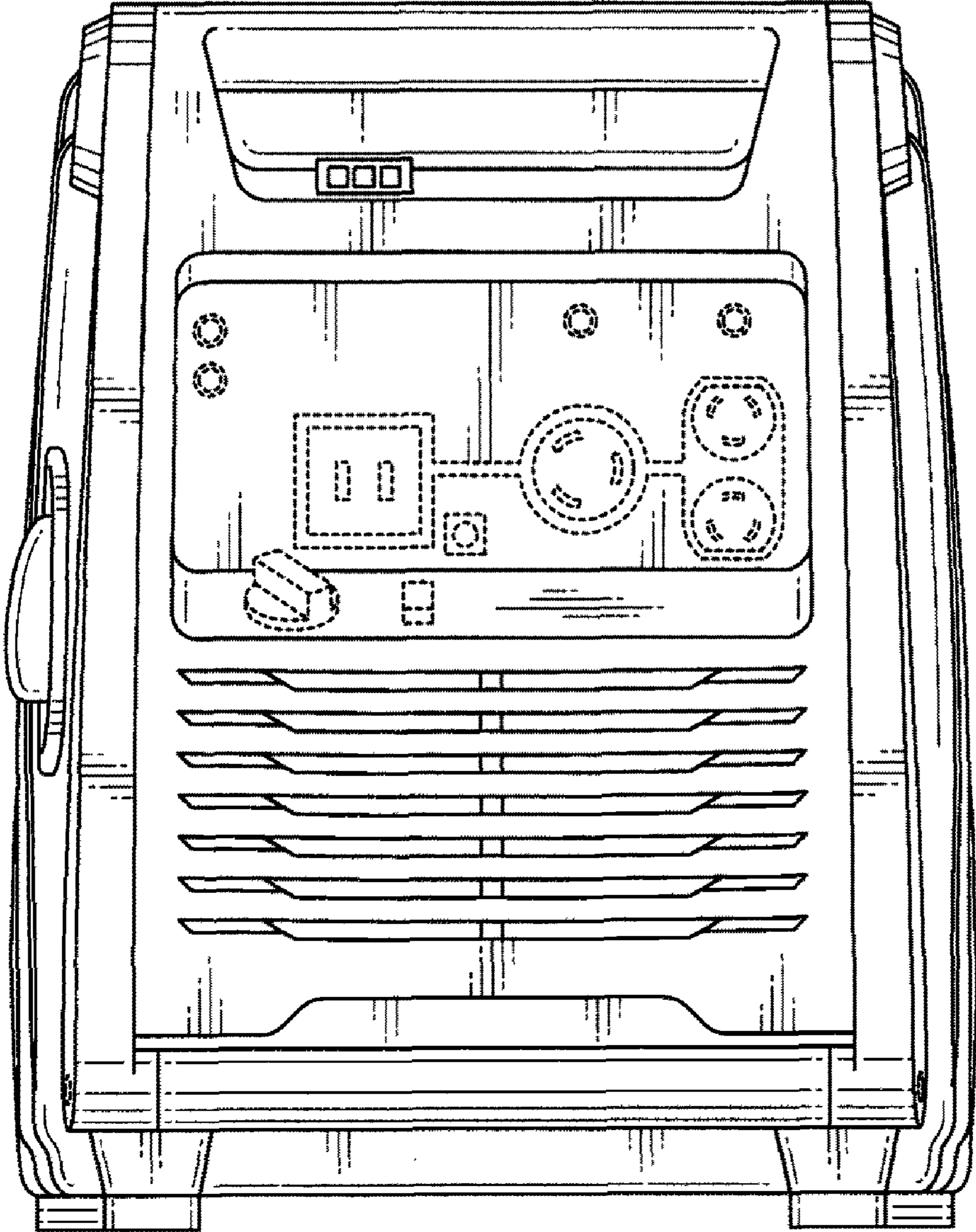


FIG.4

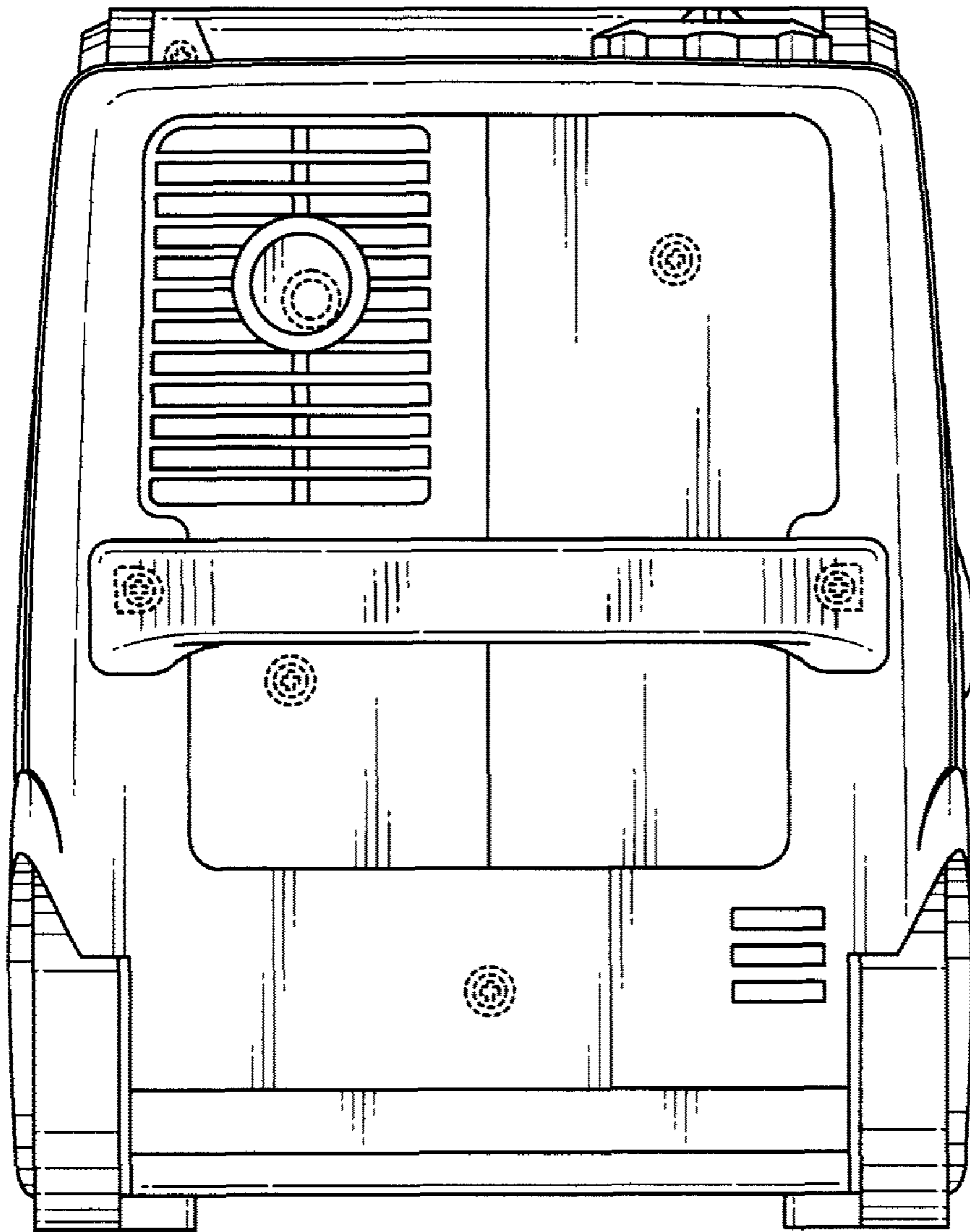


FIG.5

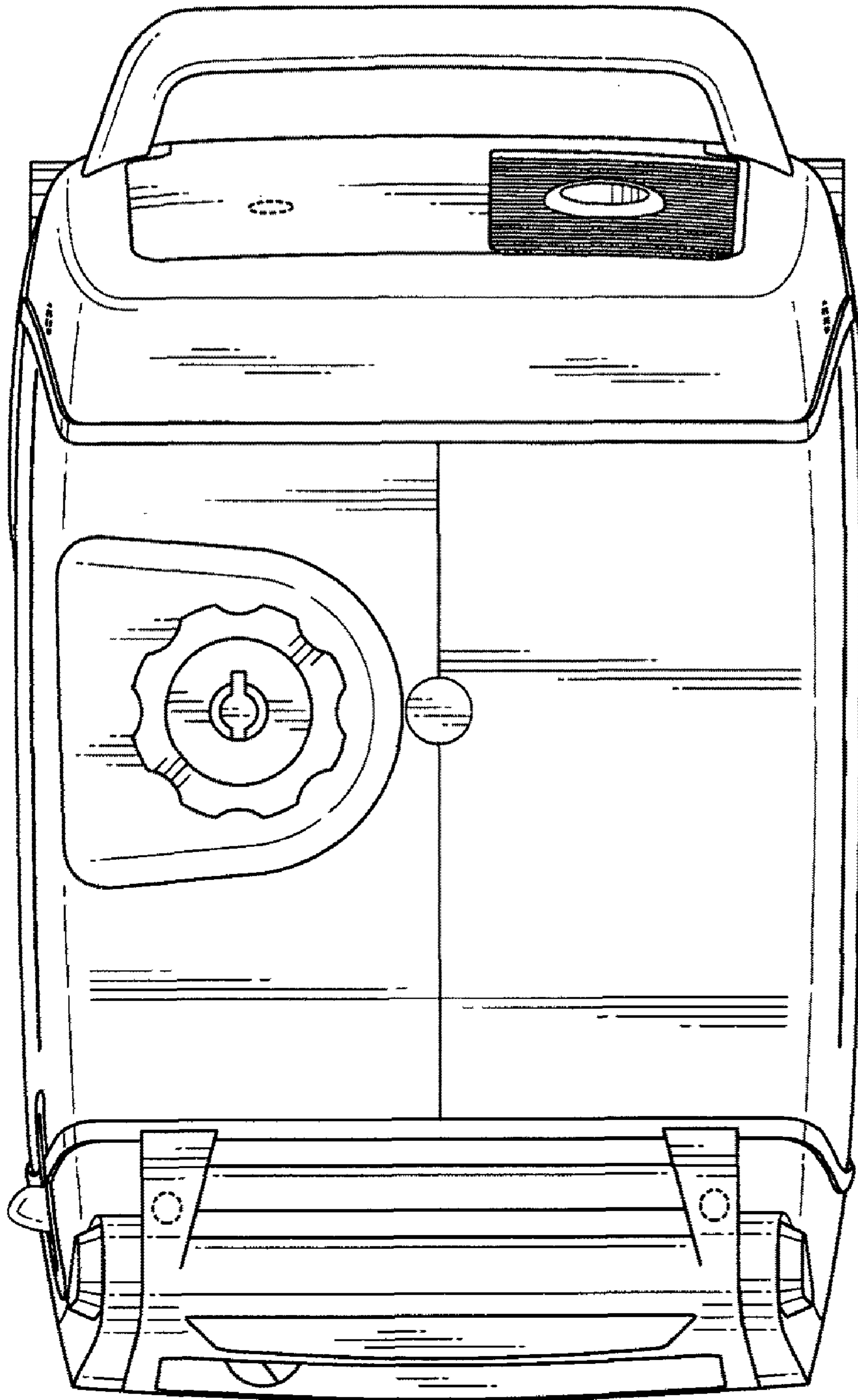


FIG.6

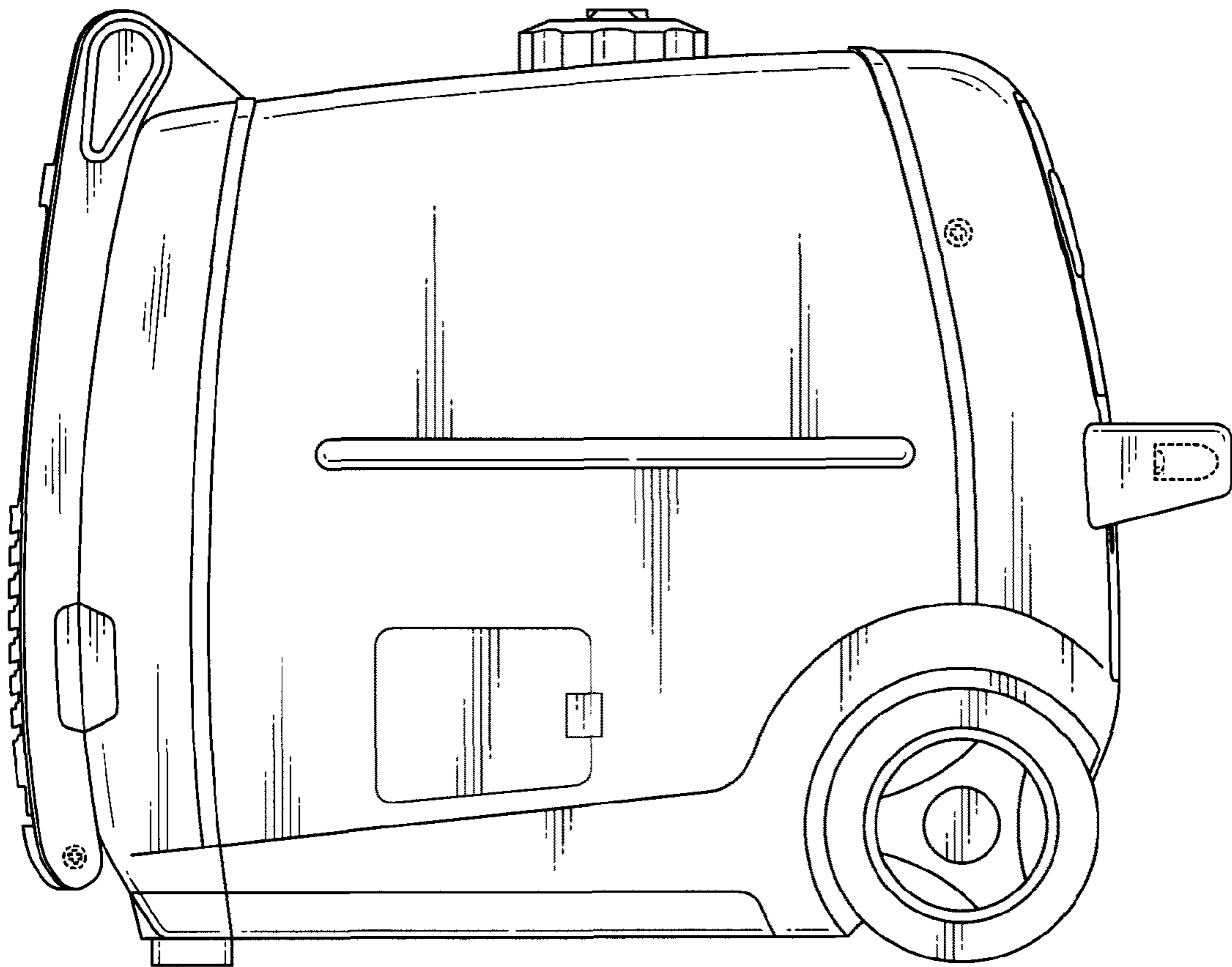


FIG.7

