



US00D600202S

(12) **United States Design Patent**
Mack

(10) **Patent No.:** **US D600,202 S**
(45) **Date of Patent:** **** Sep. 15, 2009**

(54) **BATTERY**
(75) Inventor: **Robert J. Mack**, Milwaukee, WI (US)
(73) Assignee: **Johnson Controls Technology Company**, Holland, MI (US)
(**) Term: **14 Years**
(21) Appl. No.: **29/327,178**
(22) Filed: **Oct. 31, 2008**

D450,653 S 11/2001 Hertel et al.
6,399,238 B1 * 6/2002 Oweis et al. 429/99
D466,478 S 12/2002 Bolstad et al.
D491,138 S * 6/2004 Minato D13/104
D499,070 S 11/2004 Lavington
D517,479 S * 3/2006 Schemm D13/119
D517,987 S 3/2006 Castagnola et al.
D517,988 S * 3/2006 Ihde et al. D13/119
D562,229 S * 2/2008 Peters D13/103
7,332,243 B2 2/2008 Cummins et al.
2003/0059676 A1 * 3/2003 Ruiz Rodriguez et al. ... 429/164
2004/0170888 A1 * 9/2004 Cummins et al. 429/99
2005/0069762 A1 * 3/2005 Daley et al. 429/179

(51) **LOC (9) Cl.** **13-02**
(52) **U.S. Cl.** **D13/104**
(58) **Field of Classification Search** D13/102–106,
D13/110, 118–119, 184; 429/96–100, 163,
429/176
See application file for complete search history.

(56) **References Cited**
U.S. PATENT DOCUMENTS

D252,354 S 7/1979 Uyeda
4,346,151 A * 8/1982 Uba et al. 429/54
4,510,215 A * 4/1985 Adam 429/99
D298,029 S 10/1988 Foster
D303,373 S 9/1989 Ching, Jr.
D304,926 S 12/1989 Ching, Jr.
D304,927 S 12/1989 Ching et al.
D307,133 S 4/1990 Ching, Jr.
D307,886 S 5/1990 Ching et al.
5,283,137 A 2/1994 Ching
5,415,956 A 5/1995 Ching
D372,701 S 8/1996 Tahmassebpur
5,599,641 A 2/1997 Ching et al.
5,856,037 A 1/1999 Casale et al.
5,871,862 A 2/1999 Olson
D406,258 S 3/1999 Segers
5,895,728 A * 4/1999 Walker et al. 429/53
5,977,746 A * 11/1999 Hershberger et al. 320/112
5,998,062 A 12/1999 Olson
6,023,146 A 2/2000 Casale et al.
6,025,086 A 2/2000 Ching
6,174,618 B1 * 1/2001 Nishiyama et al. 429/99

OTHER PUBLICATIONS

Photographs of “old” Optima battery with a date stamp of Week 47, 1990.
Optima Batteries brochure entitled “The Ultimate Power Source” dated Mar. 2007.
Optima Batteries New Product Announcement, 2008.

* cited by examiner

Primary Examiner—Jennifer Rivard
Assistant Examiner—Rosemary K Tarcza
(74) *Attorney, Agent, or Firm*—Lathrop & Clark LLP

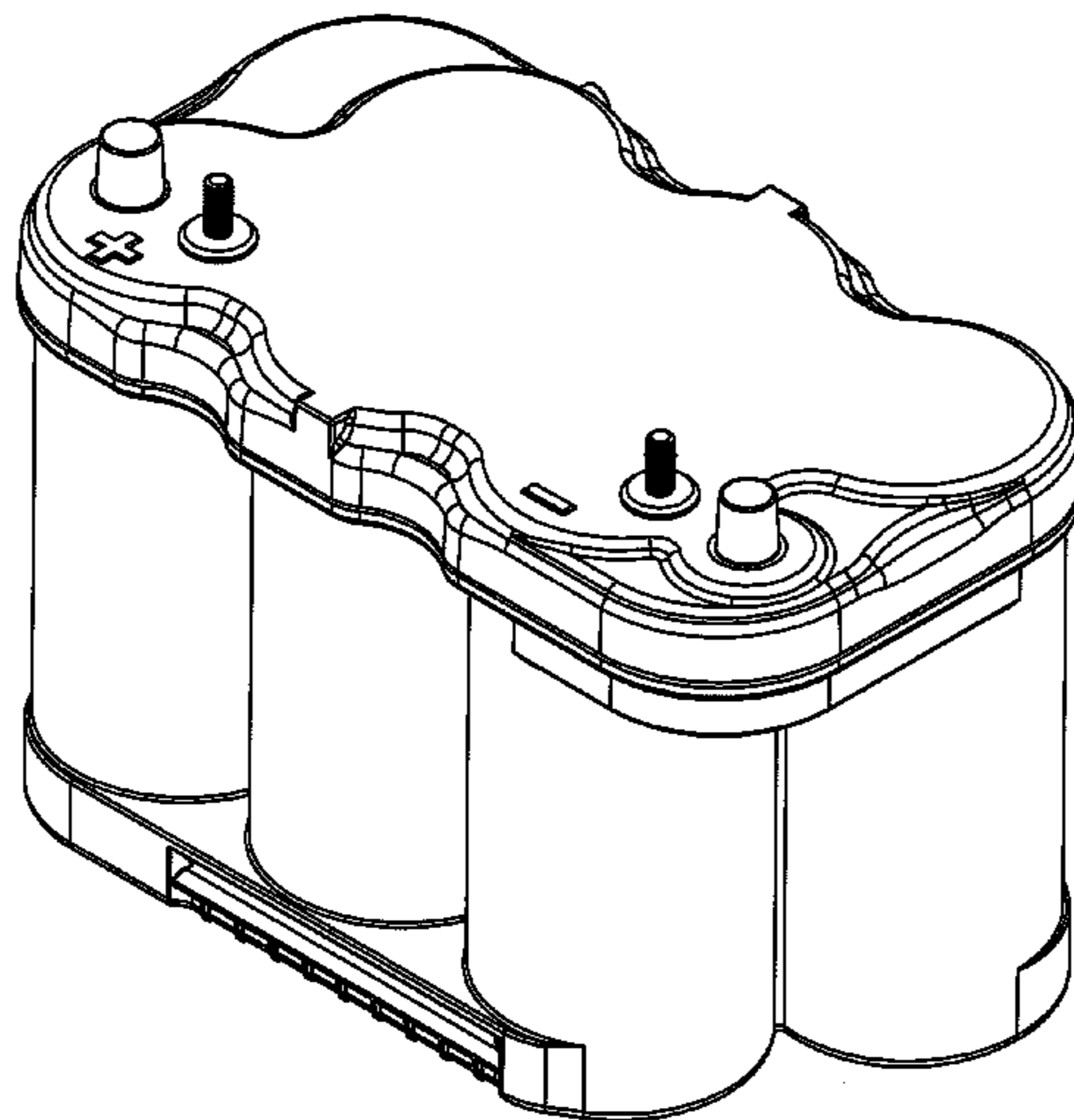
(57) **CLAIM**

The ornamental design for a battery, as shown and described.

DESCRIPTION

FIG. 1 is a top isometric view of the battery according to an exemplary embodiment;
FIG. 2 is a top plan view thereof;
FIG. 3 is a first side elevation view thereof;
FIG. 4 is a second side elevation view thereof;
FIG. 5 is a first end elevation view thereof; and,
FIG. 6 is a second end elevation view thereof.
Except to the extent shown in the figures, the bottom view forms no part of the claimed design.

1 Claim, 6 Drawing Sheets



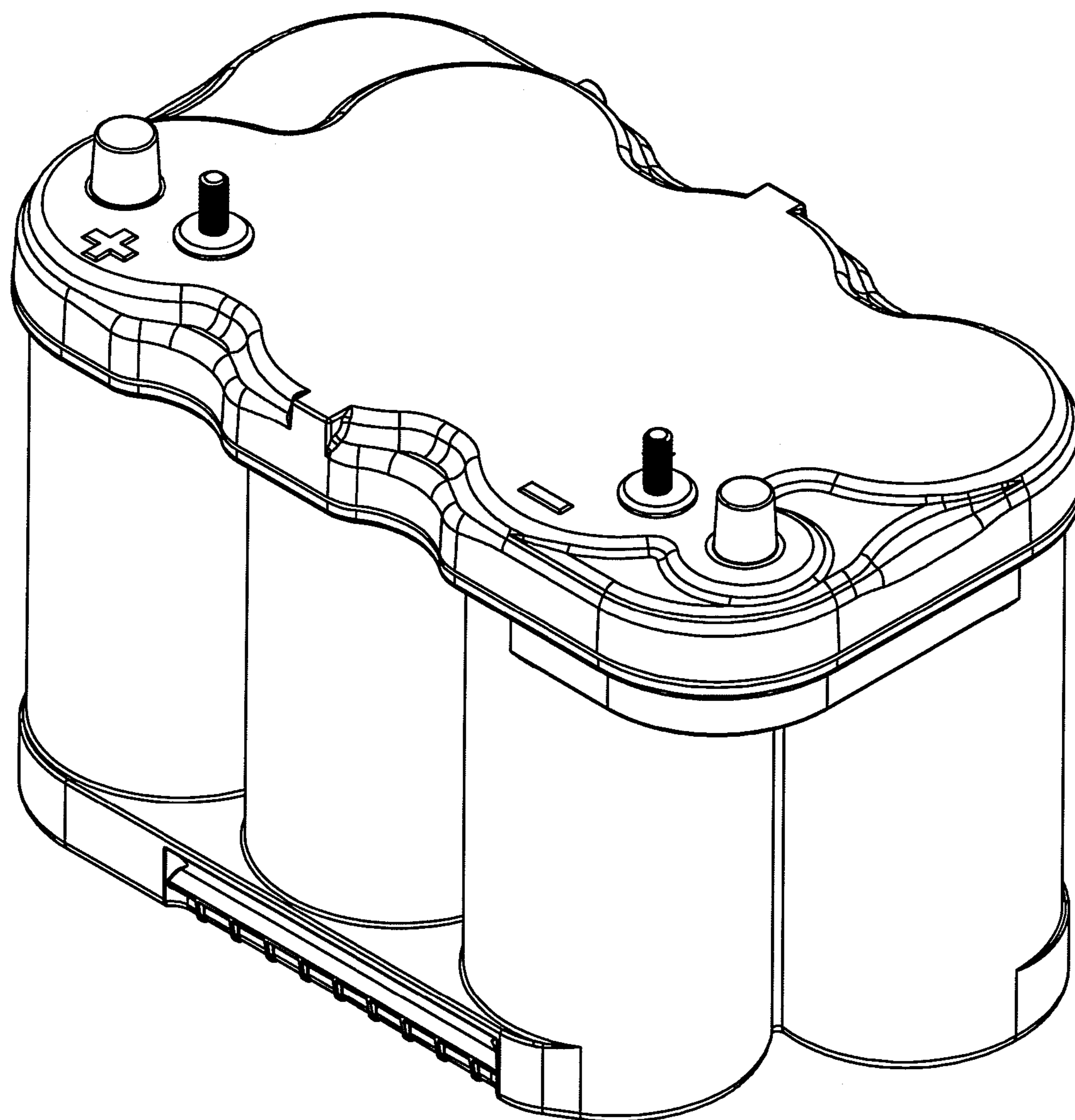


FIG. 1

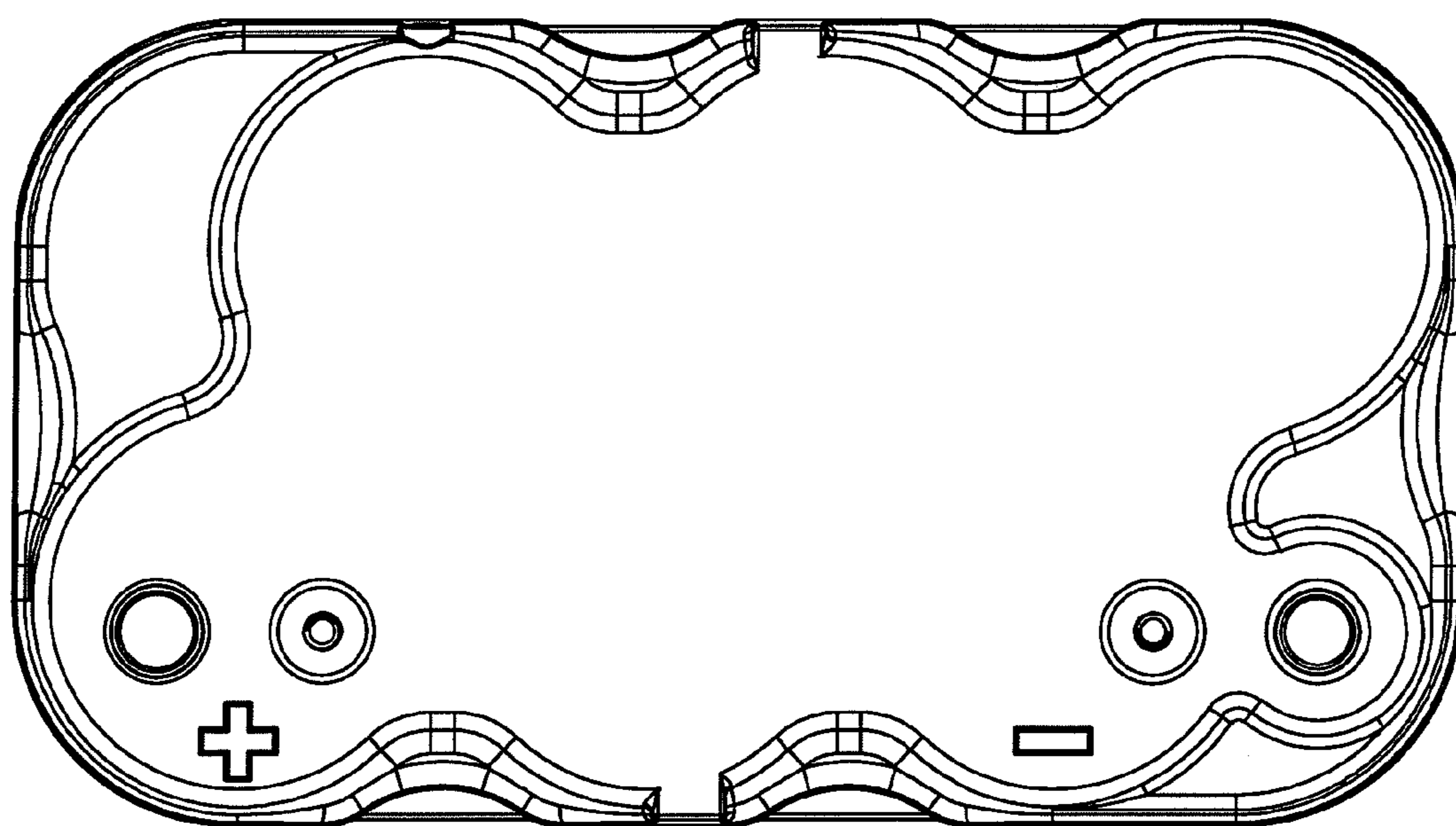


FIG. 2

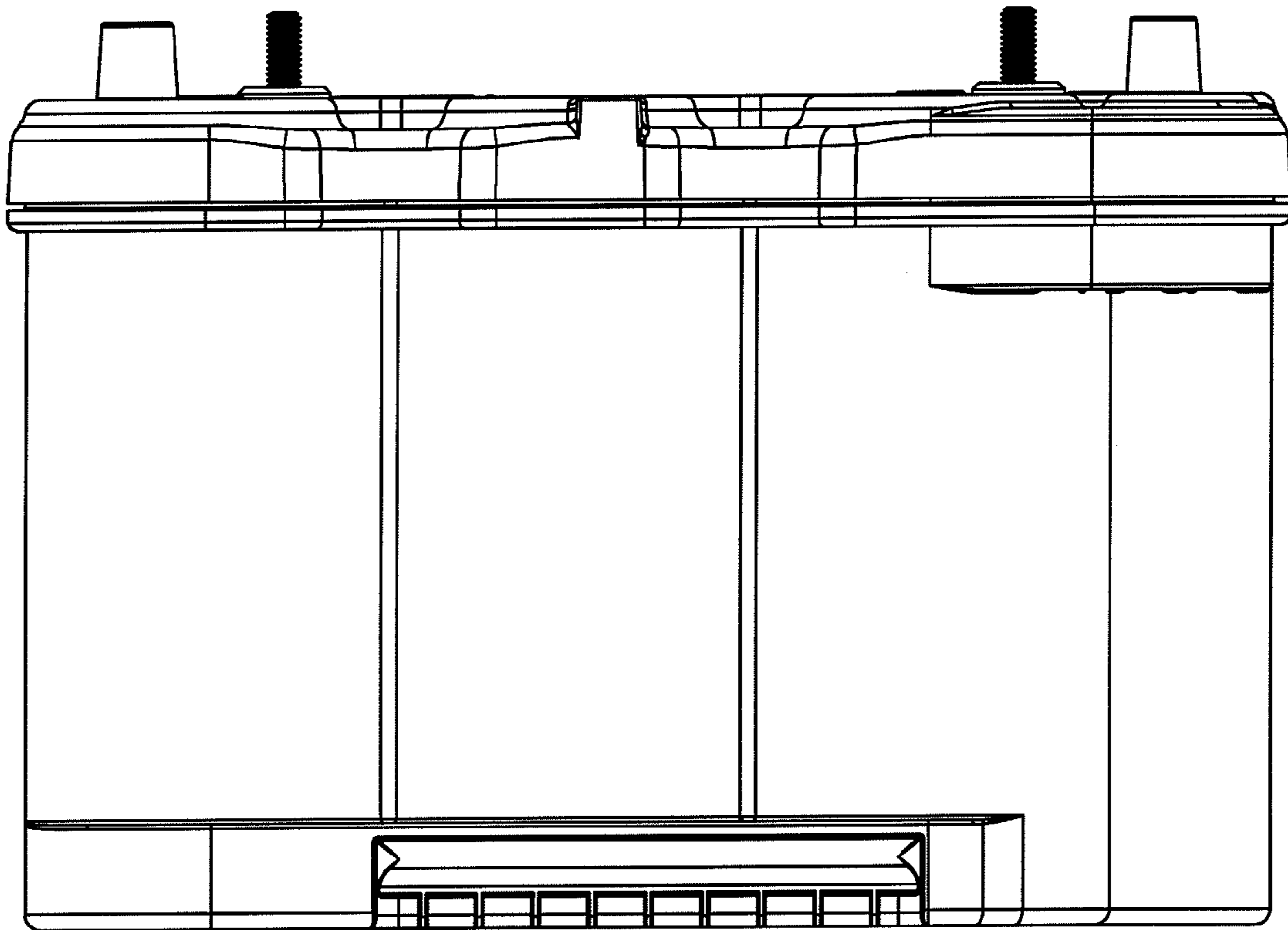


FIG. 3

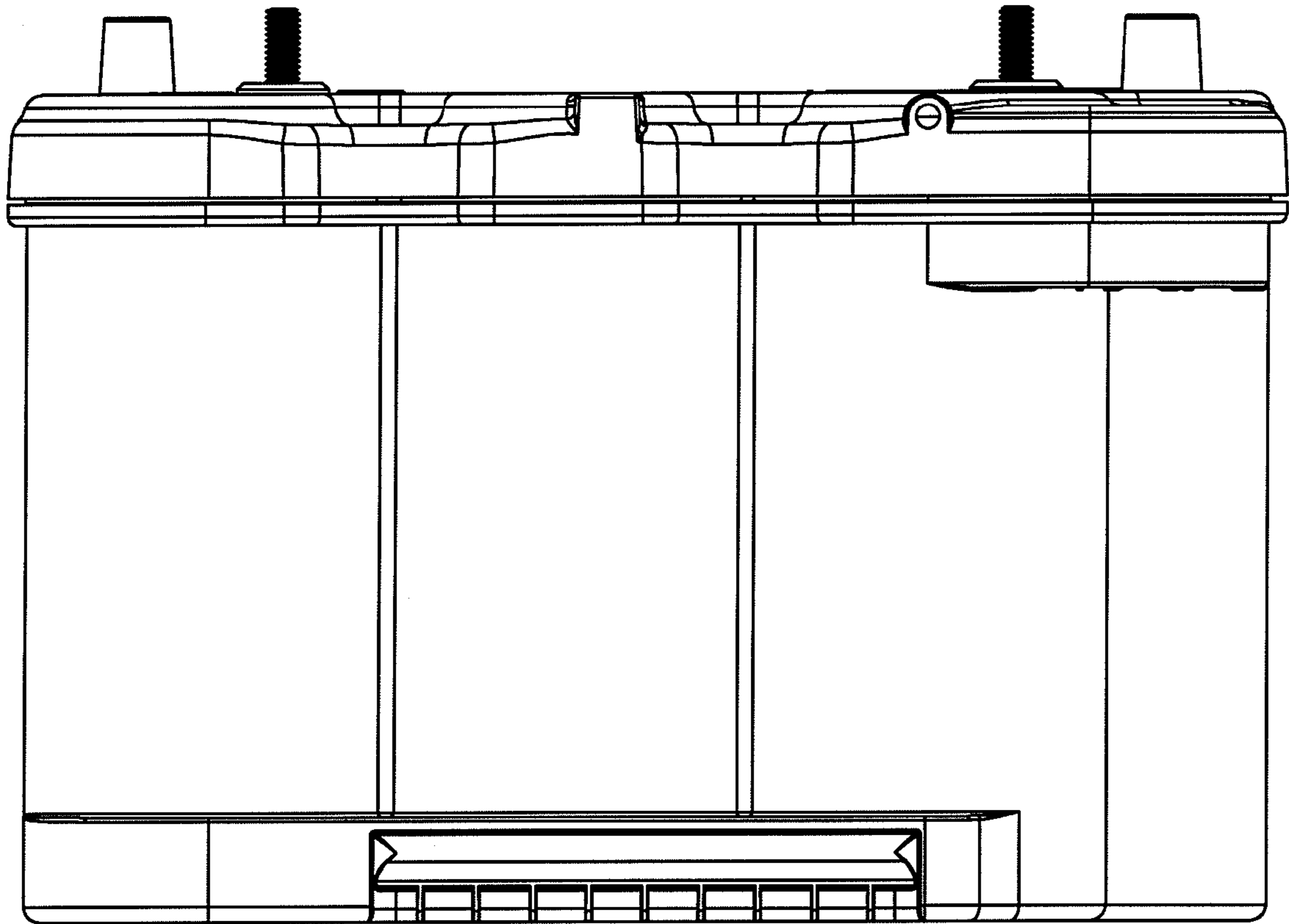


FIG. 4

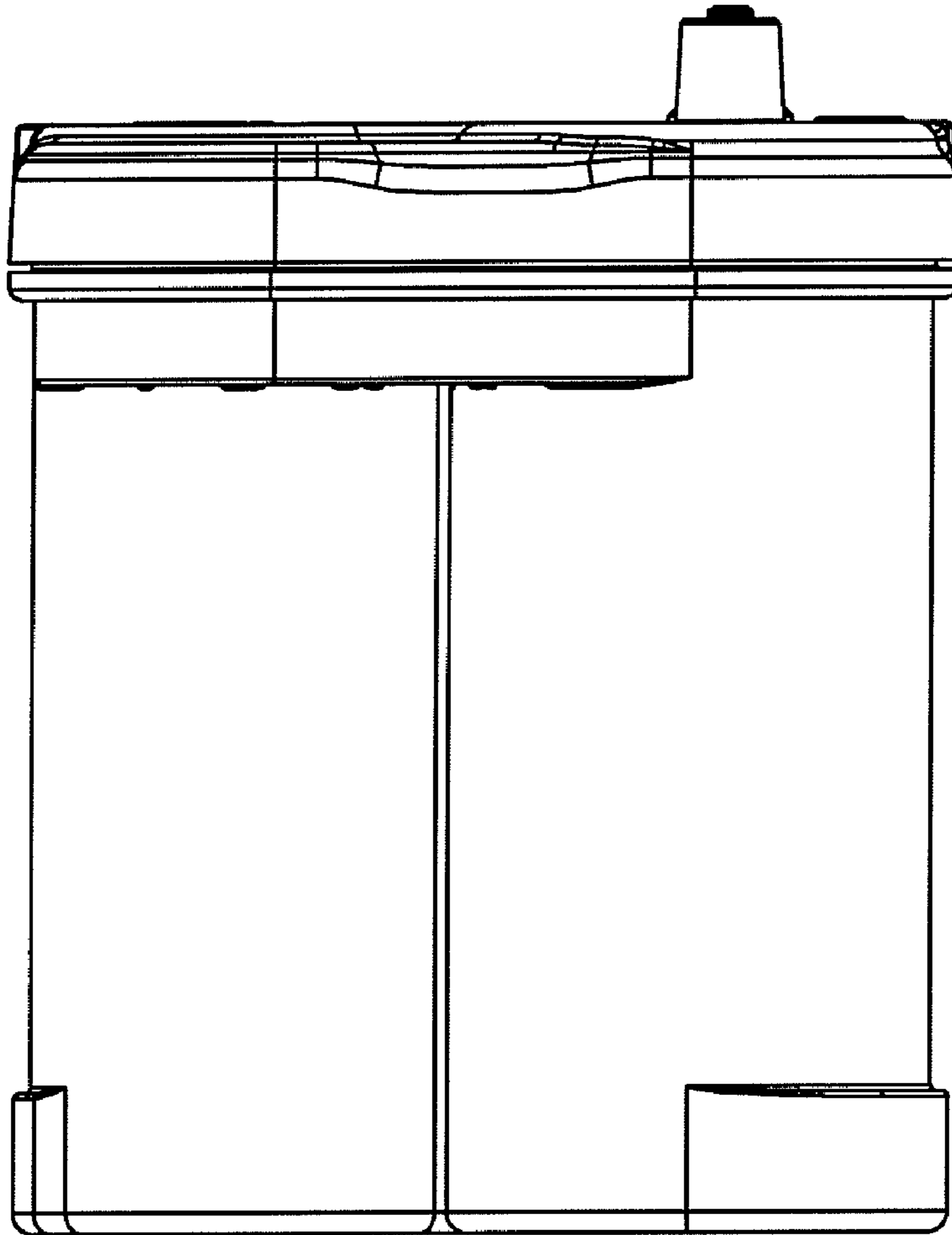


FIG. 5

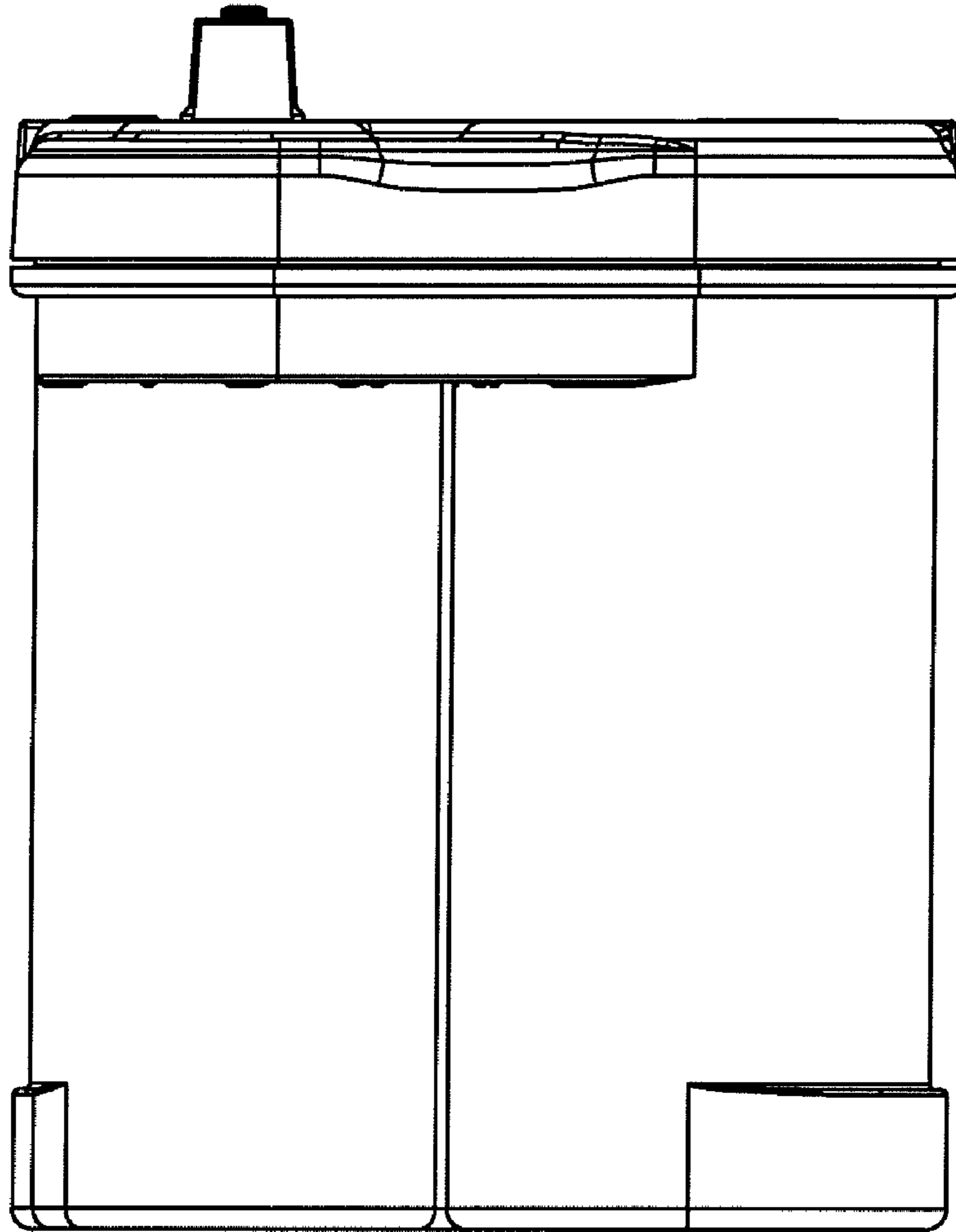


FIG. 6