



US00D600196S

(12) **United States Design Patent**  
**Canankamp et al.**

(10) **Patent No.:** **US D600,196 S**

(45) **Date of Patent:** **\*\* Sep. 15, 2009**

(54) **TIRE**

(75) Inventors: **Mark Anthony Canankamp**, Akron, OH (US); **Charles Joseph Ashton**, Cuyahoga Falls, OH (US); **Shannon Joseph Hughes**, Rootstown, OH (US); **Daniel Patrick Curtis**, Medina, OH (US); **Michael Christopher Kulton**, Wadsworth, OH (US); **Scott Kenneth Junod**, North Canton, OH (US)

(73) Assignee: **The Goodyear Tire & Rubber Company**, Akron, OH (US)

(\*\*) Term: **14 Years**

(21) Appl. No.: **29/324,358**

(22) Filed: **Sep. 11, 2008**

(51) **LOC (9) Cl.** ..... **12-15**

(52) **U.S. Cl.** ..... **D12/580**

(58) **Field of Classification Search** ..... D12/531,  
D12/544-565, 574, 579-588, 594-595, 600-603;  
152/209.1, 209.8-209.18, 209.25-209.28,  
152/455

See application file for complete search history.

(56) **References Cited**

U.S. PATENT DOCUMENTS

3,155,135	A	11/1964	Klenk	.....	152/353
D271,753	S	12/1983	Newton	.....	D12/140
D274,806	S	* 7/1984	Epinat	.....	D12/580
D296,681	S	* 7/1988	Krupa et al.	.....	D12/580
4,953,604	A	9/1990	Shepler et al.	.....	152/209
D315,538	S	* 3/1991	Graas	.....	D12/580
5,002,109	A	3/1991	Shepler et al.	.....	152/209
D333,286	S	* 2/1993	Rogers et al.	.....	D12/597
D428,836	S	* 8/2000	Grosskopf et al.	.....	D12/580
D431,801	S	* 10/2000	Poling	.....	D12/580

D460,404	S	* 7/2002	Janjareh et al.	.....	D12/580
D515,022	S	2/2006	Helt et al.	.....	D12/528
D524,719	S	7/2006	Hubbell et al.	.....	D12/509
D528,969	S	9/2006	Hubbell et al.	.....	D12/509
D538,738	S	* 3/2007	Miller et al.	.....	D12/574

\* cited by examiner

*Primary Examiner*—Stacia Cadmus

(74) *Attorney, Agent, or Firm*—Richard B. O’Planick

(57) **CLAIM**

The ornamental design for a tire, as shown and described.

**DESCRIPTION**

FIG. 1 is a perspective view of a tire showing our new design, it being understood that the pattern repeats uniformly throughout the circumference of the tread;

FIG. 2 is a front elevational view thereof;

FIG. 3 is a right side elevational view thereof; the opposite side elevational view being identical thereto;

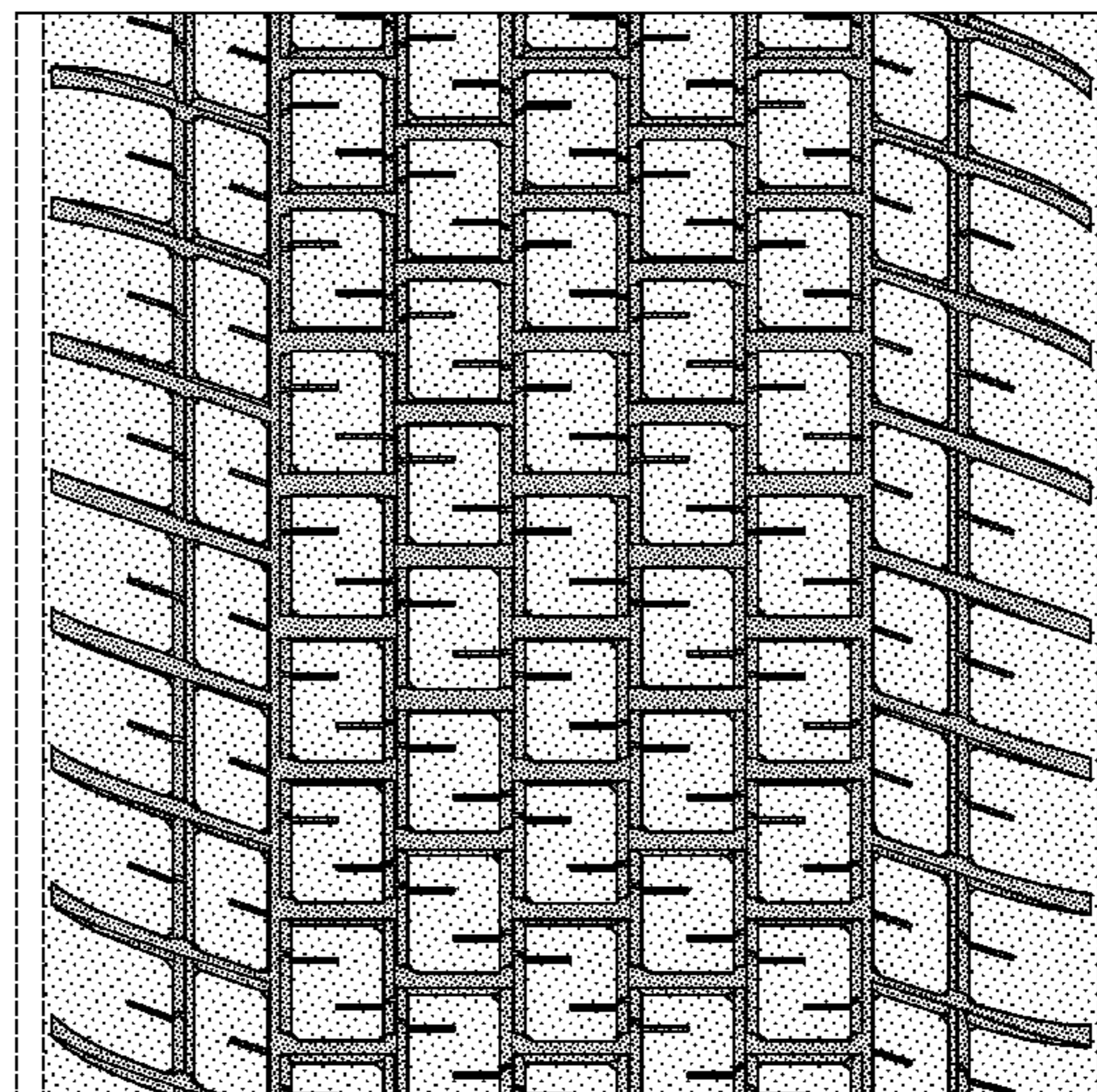
FIG. 4 is an enlarged fragmentary front elevational view thereof;

FIG. 5 is a perspective view of a second embodiment of a tire showing our new design, it being understood that the pattern repeats uniformly throughout the circumference of the tread and that the opposite side perspective view is identical thereto; and,

FIG. 6 is a front elevational view of a second embodiment, it being understood that an enlarged fragmentary view thereof would be substantially identical to that shown in FIG. 4, with the exception of the inclusion of the sidewall in solid lines.

In the drawings, the broken line showing of the sidewall, inner bead and the peripheral boundary between the tire tread and the sidewall in FIGS. 1 through 4 depict environmental subject matter and form no part of the claimed design.

**1 Claim, 6 Drawing Sheets**



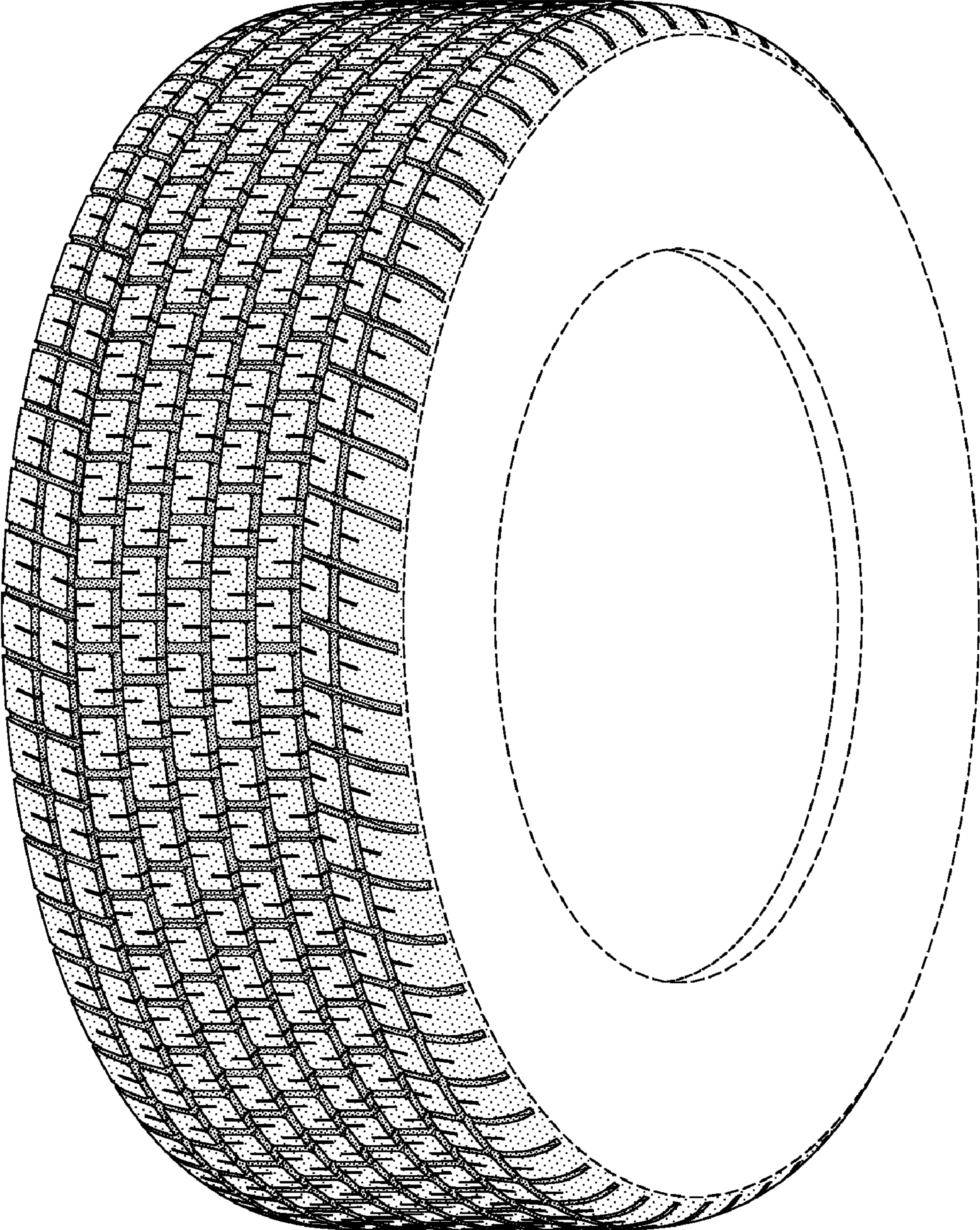


FIG-1

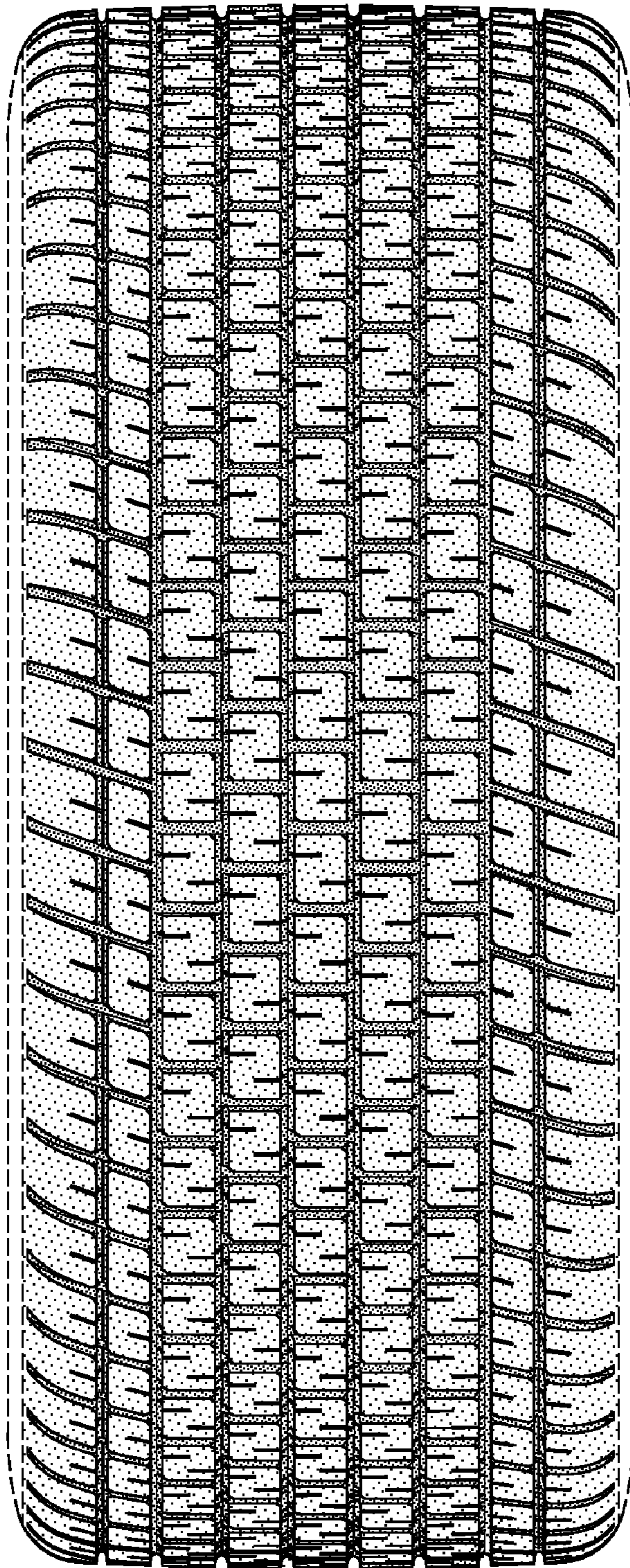


FIG-2

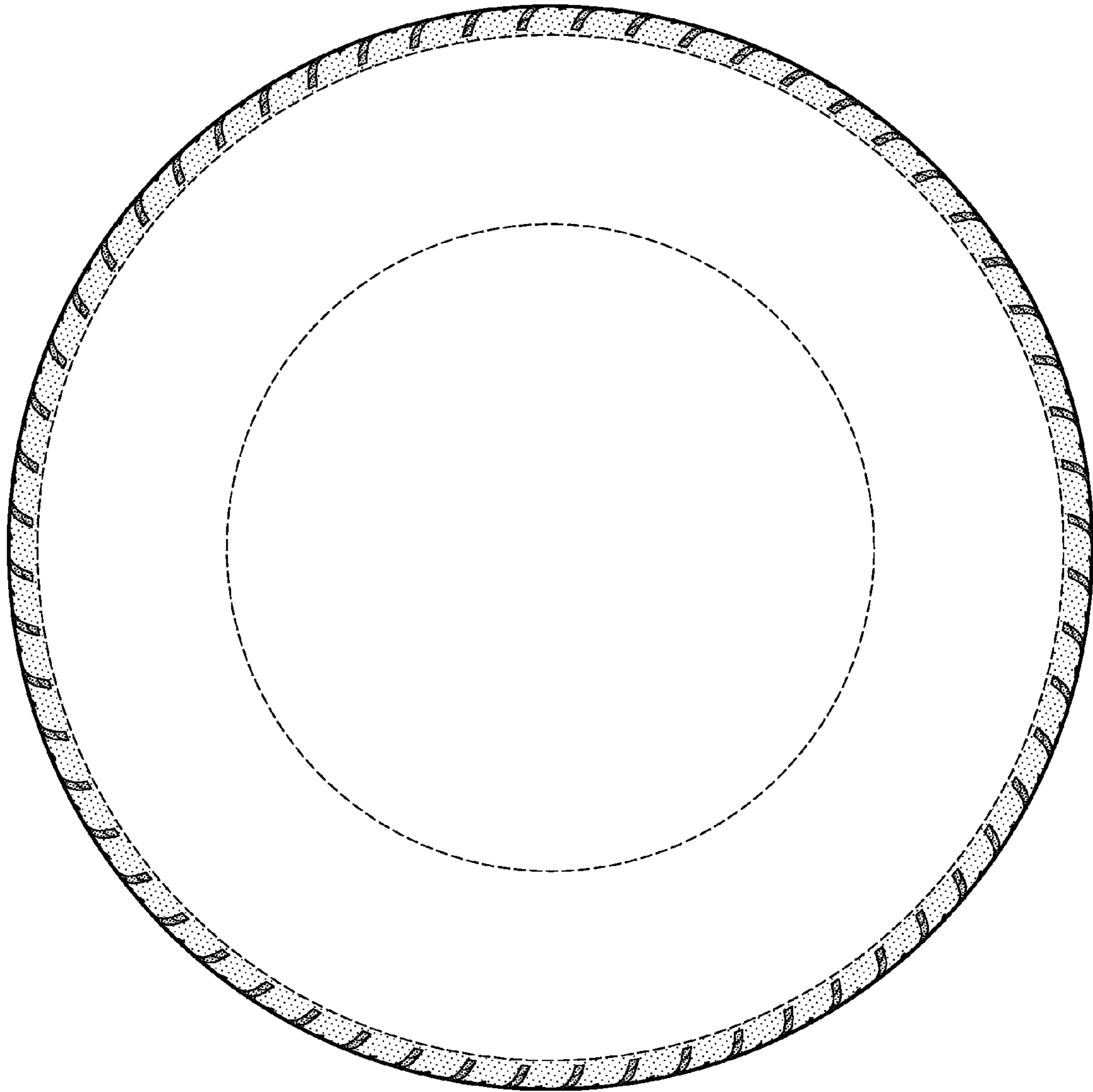


FIG-3

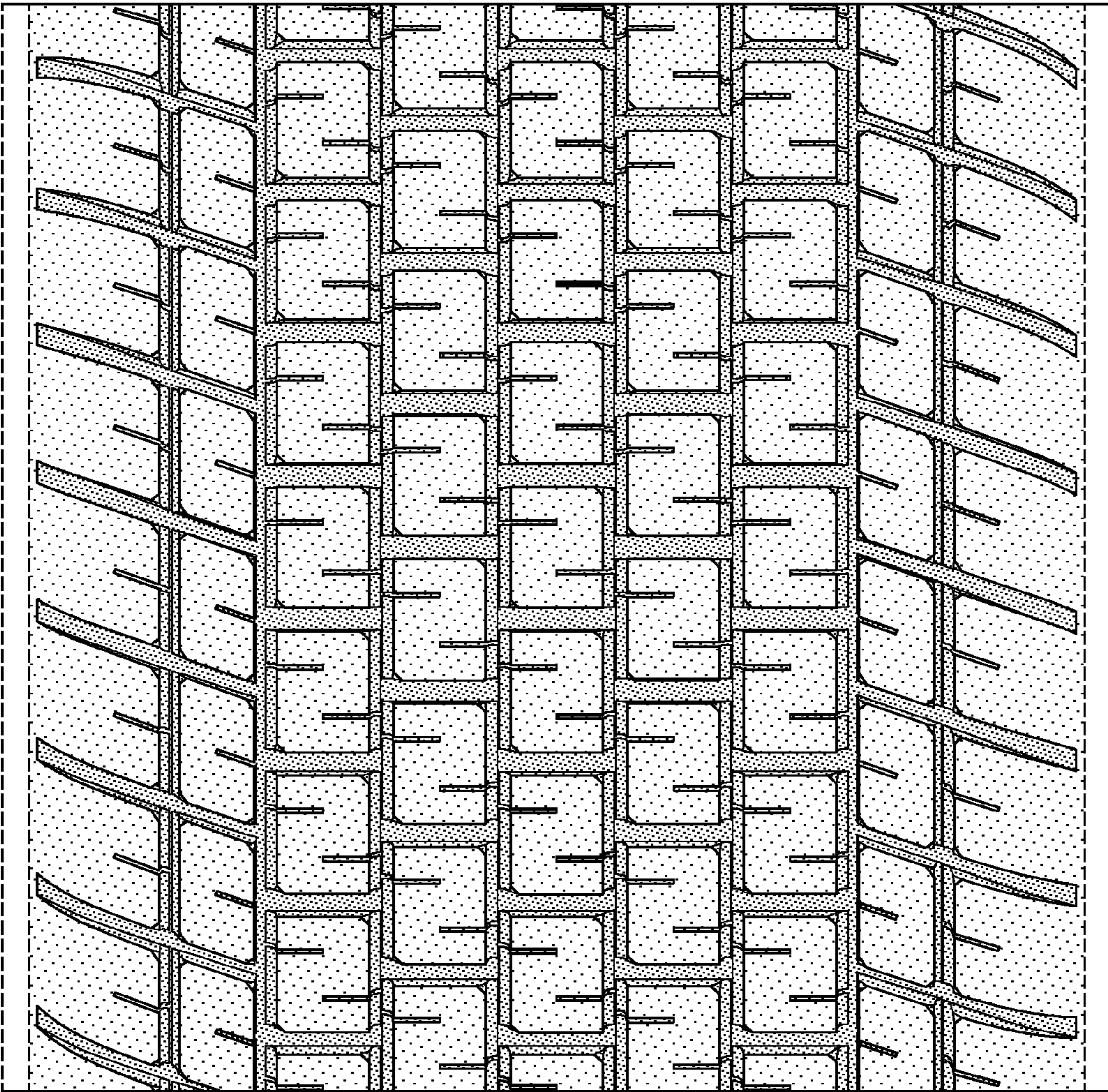


FIG-4

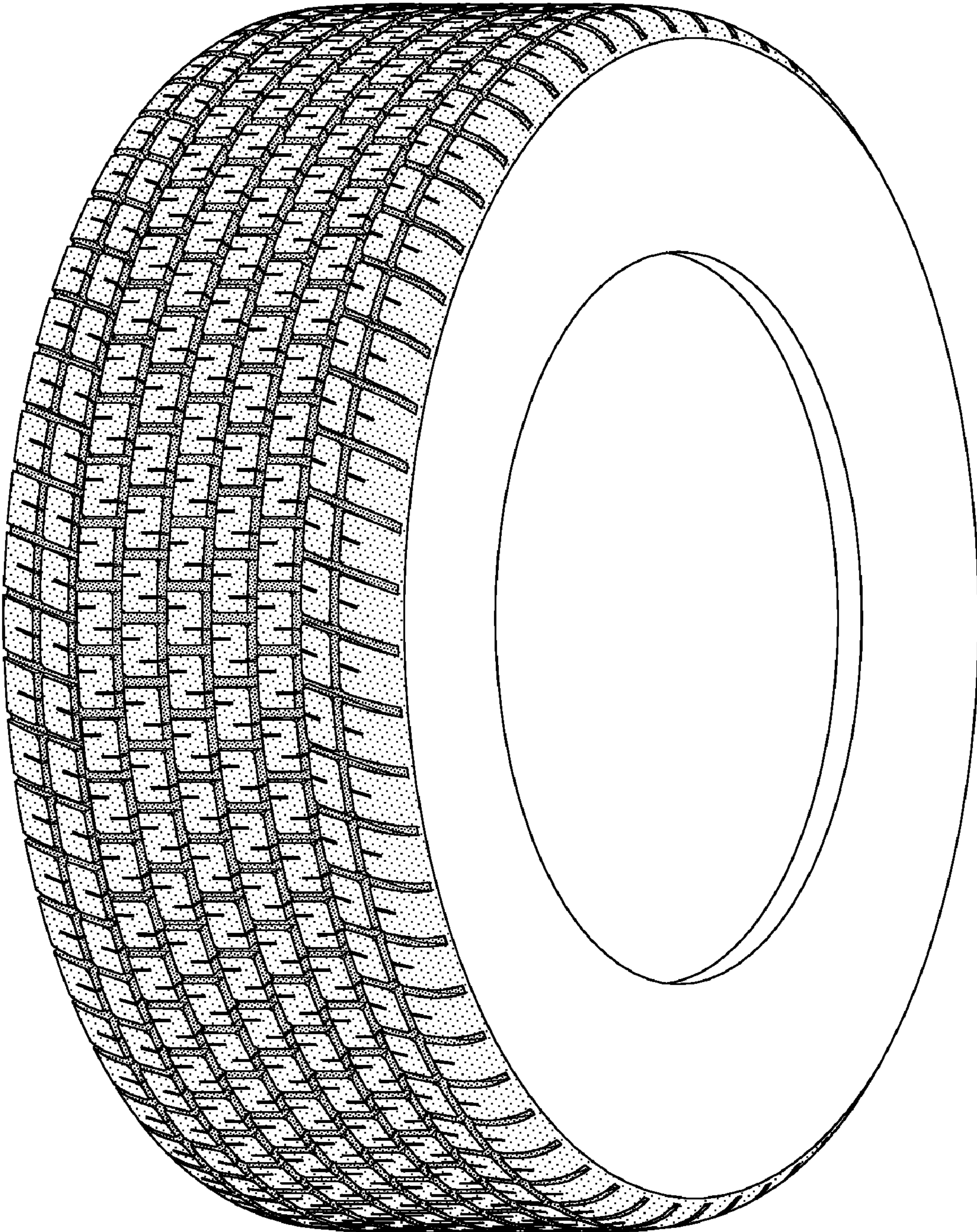


FIG-5

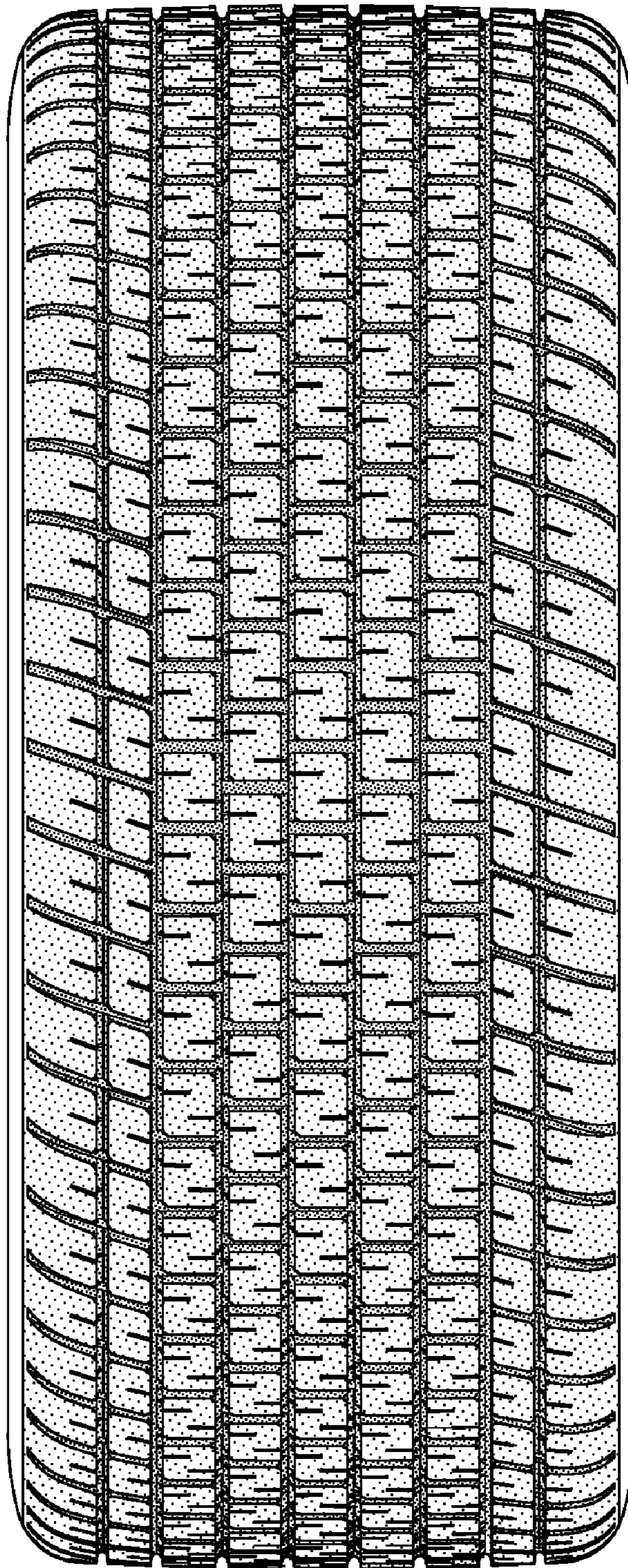


FIG-6