



US00D600193S

(12) **United States Design Patent**
Nukala et al.

(10) **Patent No.:** **US D600,193 S**

(45) **Date of Patent:** **** Sep. 15, 2009**

(54) **TIRE**

D577,655 S * 9/2008 Heinen D12/521
D586,726 S * 2/2009 Baumard et al. D12/521

(75) Inventors: **Surendra Nukala**, Cruchten (LU);
Michel Marguerite Walther Ghislain
Constant, Bastogne (BE); **Jerome**
Marcel Germain Delu, Bridel (LU)

* cited by examiner

Primary Examiner—Stacia Cadmus

(74) *Attorney, Agent, or Firm*—Richard B. O’Planick

(73) Assignee: **The Goodyear Tire & Rubber**
Company, Akron, OH (US)

(57) **CLAIM**

The ornamental design for a tire, as shown and described.

(**) Term: **14 Years**

DESCRIPTION

(21) Appl. No.: **29/329,802**

FIG. 1 is a perspective view of a tire showing our new design, it being understood that the pattern repeats uniformly throughout the circumference of the tread;

(22) Filed: **Dec. 22, 2008**

FIG. 2 is a front elevational view thereof;

(51) **LOC (9) Cl.** **12-15**

(52) **U.S. Cl.** **D12/521**

(58) **Field of Classification Search** D12/505,
D12/515–532, 900–901; 152/209.1, 209.8–209.18,
152/209.25–209.28, 455

FIG. 3 is a right side elevational view thereof; the opposite side elevational view being identical thereto;

See application file for complete search history.

FIG. 4 is an enlarged fragmentary front elevational view thereof;

(56) **References Cited**

U.S. PATENT DOCUMENTS

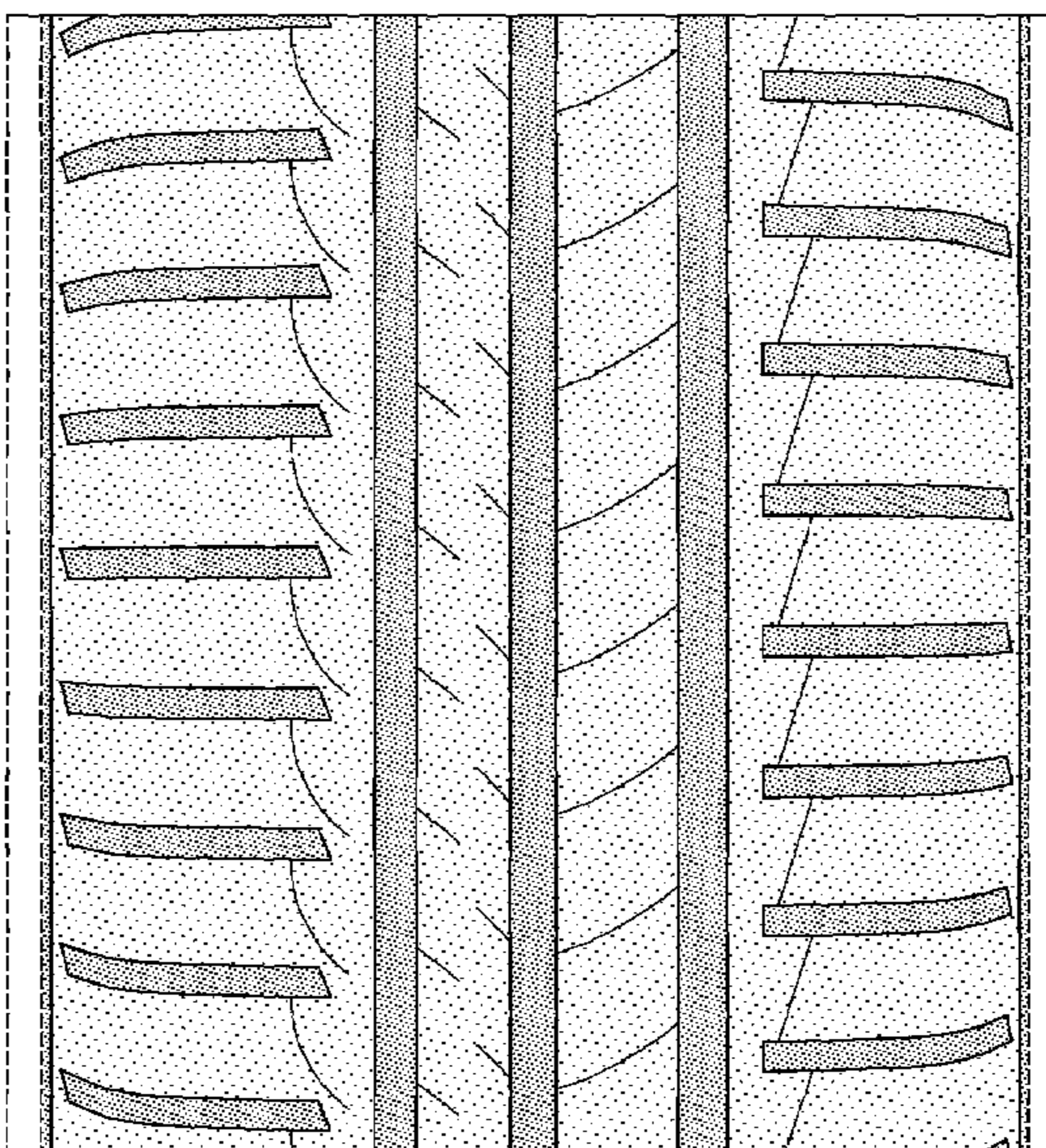
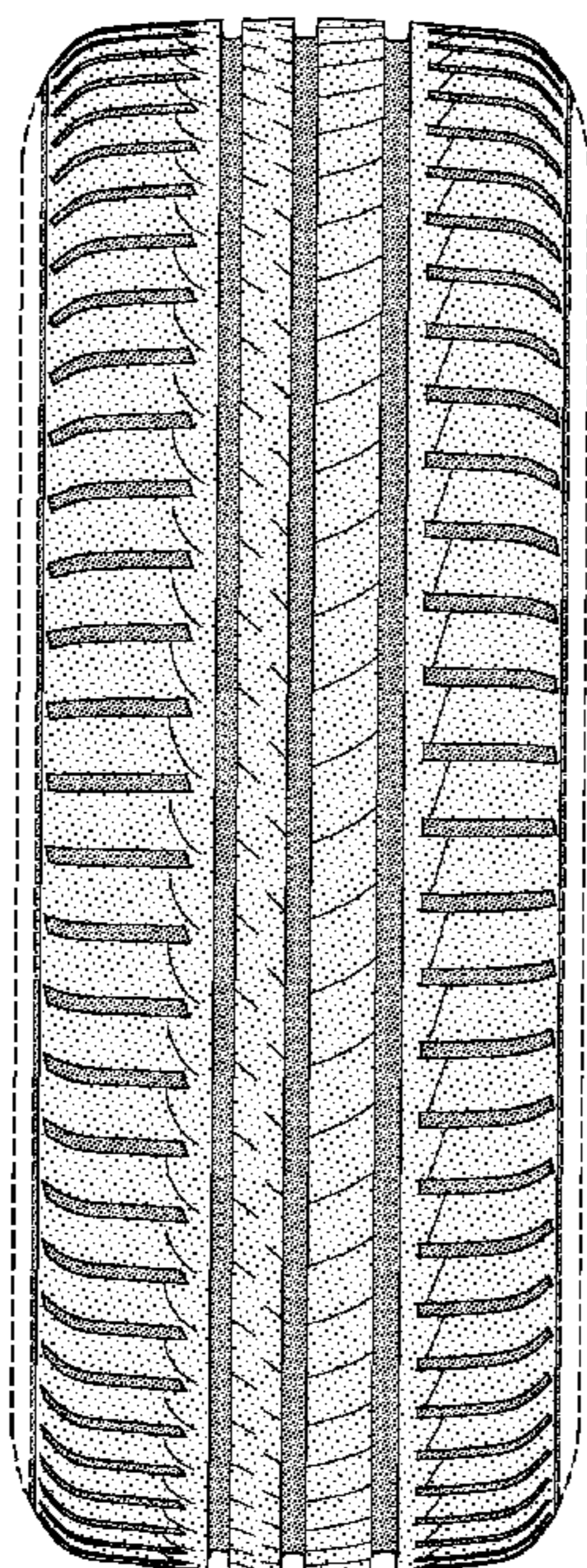
D432,956 S	10/2000	Ricquet	D12/141
D490,046 S	5/2004	Fukunaga	D12/521
D502,441 S	3/2005	Lo	D12/521
D512,013 S	* 11/2005	Delu et al.	D12/521
D524,232 S	* 7/2006	Heinen et al.	D12/521
D525,186 S	7/2006	Martin	D12/521
D545,756 S	7/2007	Feider et al.	D12/521
D551,156 S	9/2007	Shinohara et al.	D12/521
D558,128 S	12/2007	Delu et al.	D12/521
D559,168 S	* 1/2008	Murata	D12/523
D559,767 S	* 1/2008	Graas et al.	D12/521
D560,595 S	1/2008	Bindner et al.	D12/521

FIG. 5 is a perspective view of a second embodiment of a tire showing our new design, it being understood that the pattern repeats uniformly throughout the circumference of the tread and that the opposite side perspective view is identical thereto; and,

FIG. 6 is a front elevational view of a second embodiment, it being understood that an enlarged fragmentary view thereof would be substantially identical to that shown in FIG. 4, with the exception of the inclusion of the sidewall in solid lines.

In the drawings, the broken line showing of the sidewall, inner bead and the peripheral boundary between the tire tread and the sidewall in FIGS. 1 through 4 depict environmental subject matter and form no part of the claimed design.

1 Claim, 6 Drawing Sheets



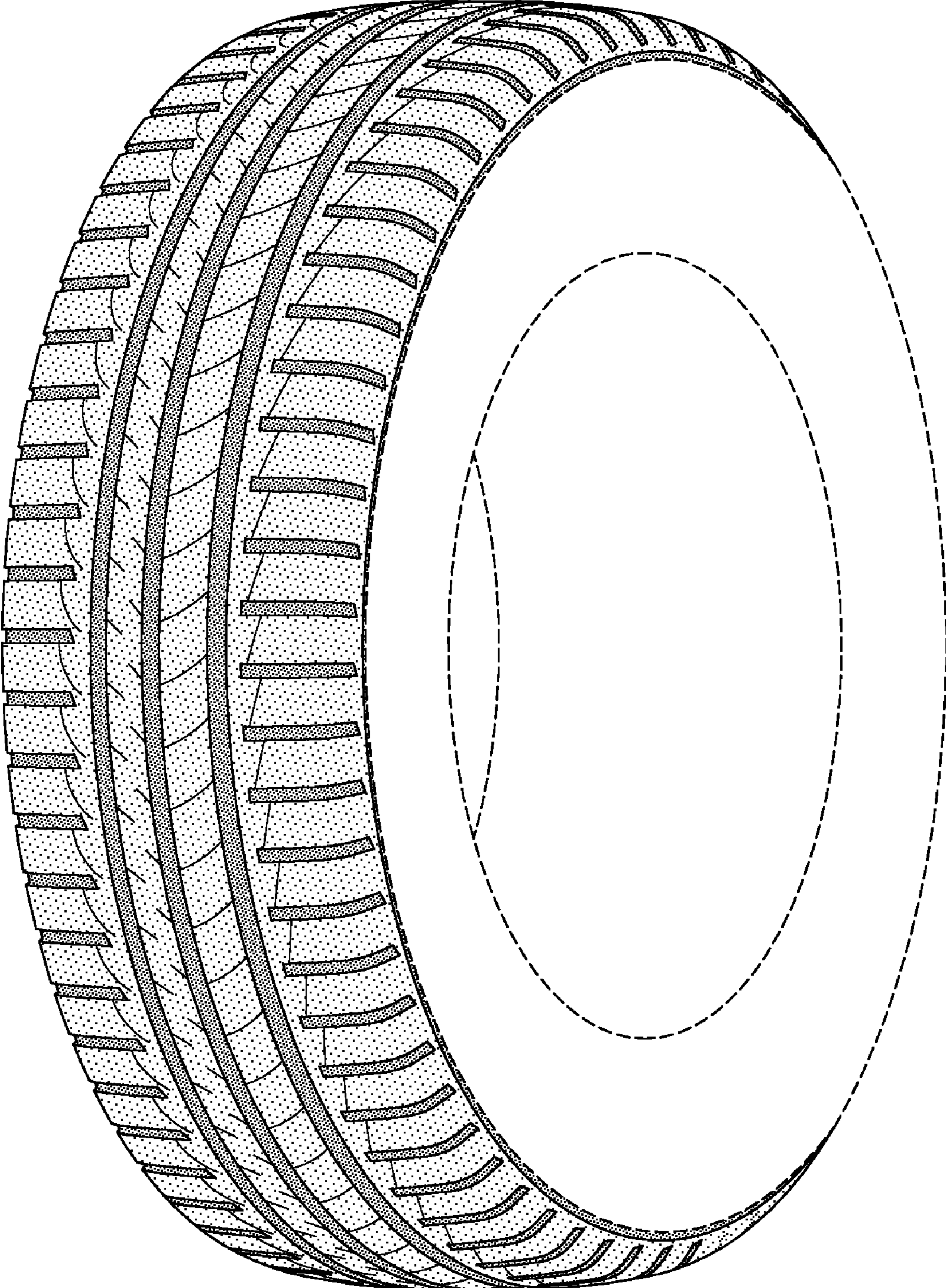


FIG-1

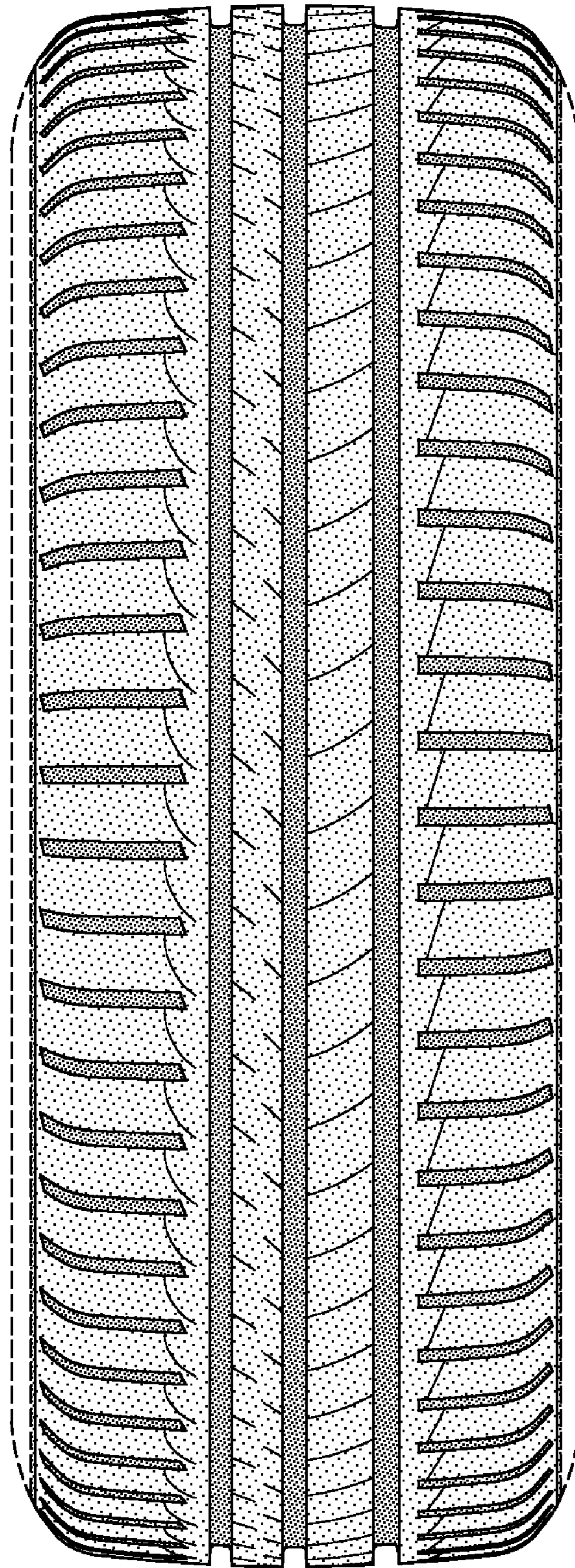


FIG-2

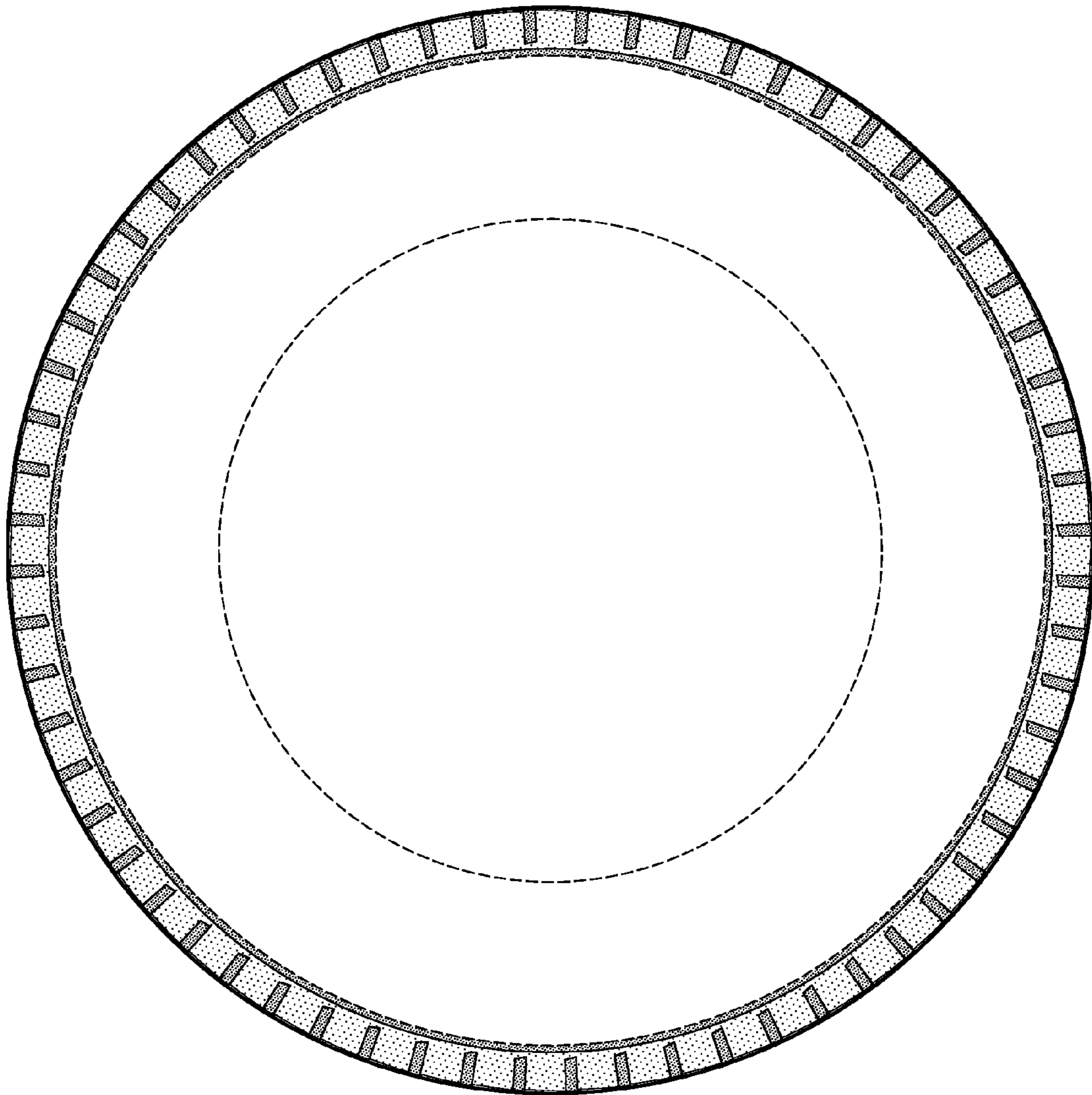


FIG-3

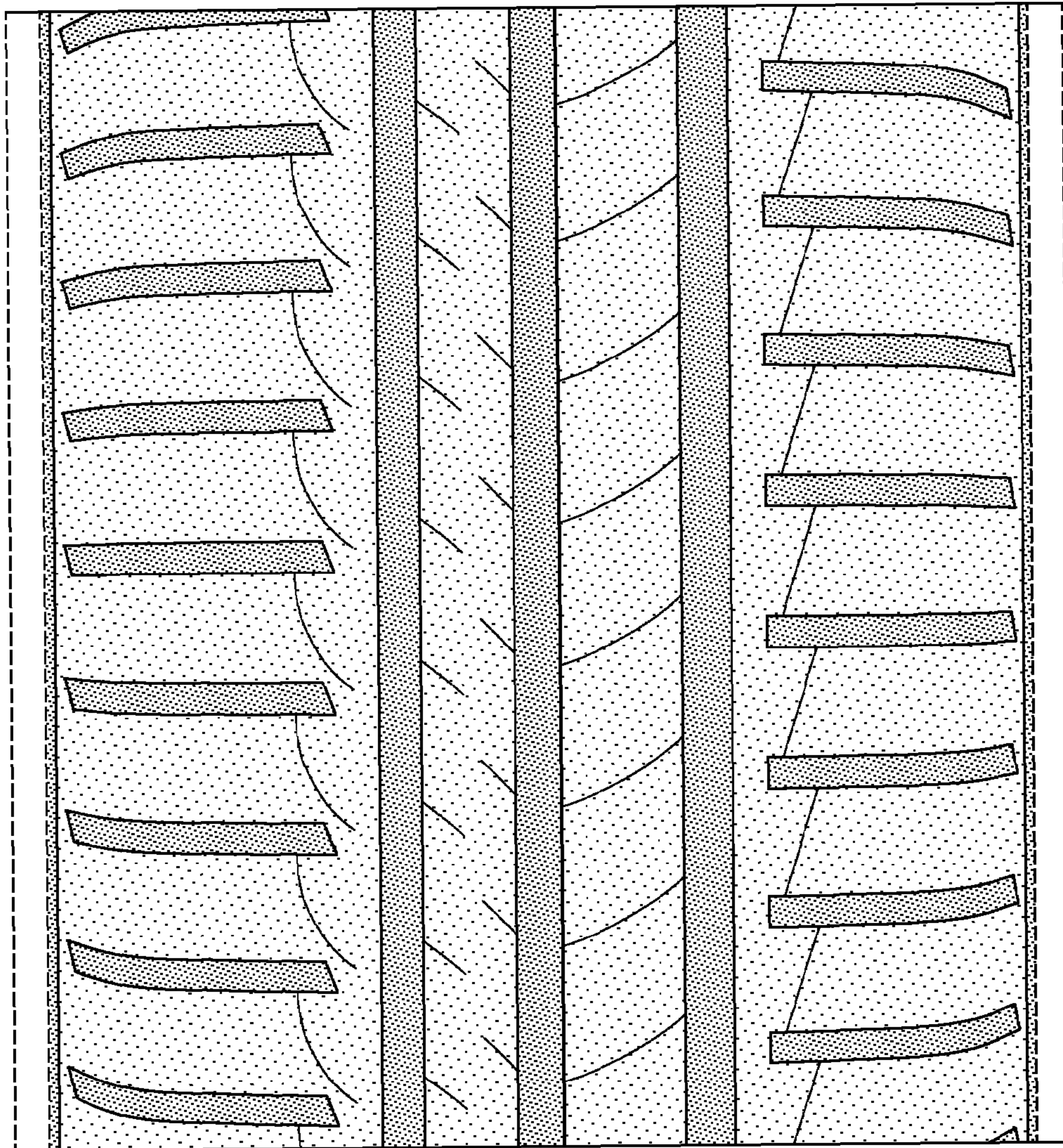


FIG-4

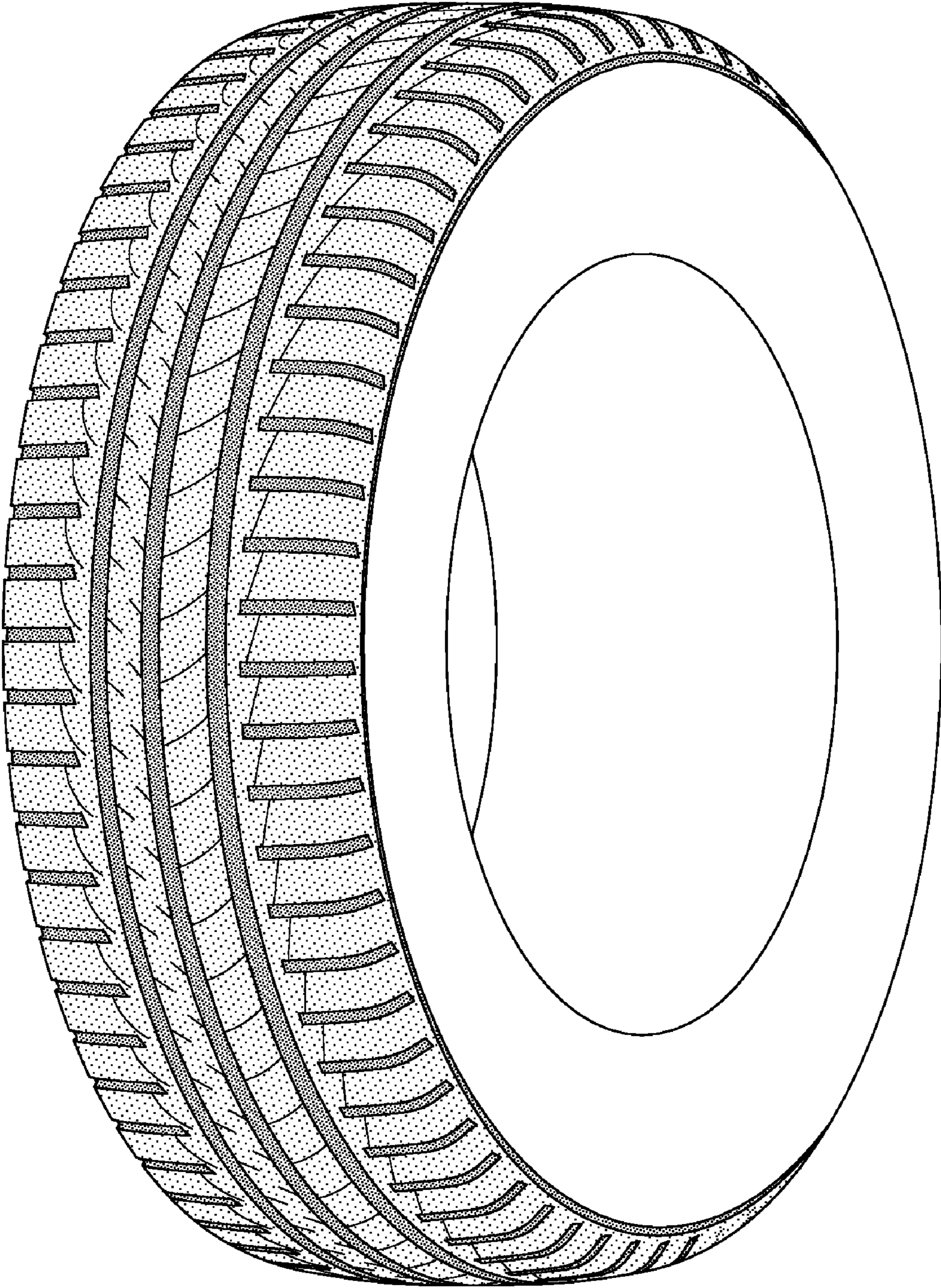


FIG-5

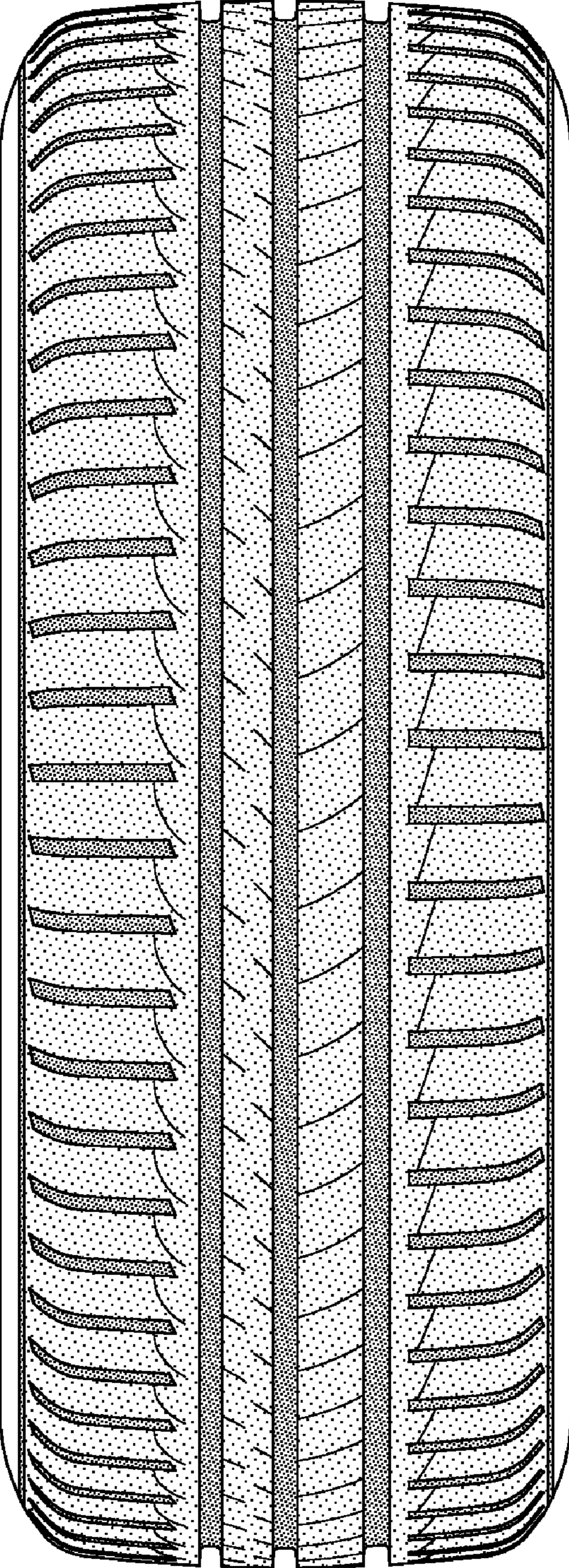


FIG-6