



US00D600189S

(12) **United States Design Patent**
Swanston

(10) **Patent No.:** **US D600,189 S**

(45) **Date of Patent:** **** Sep. 15, 2009**

(54) **EXTERIOR PROTECTIVE COVER FOR
AUTOMOBILE ROOF**

(76) **Inventor:** **Christopher Swanston**, 151 Almonds
Way, Magnolia (DE) 19962

(**) **Term:** **14 Years**

(21) **Appl. No.:** **29/313,531**

(22) **Filed:** **Jan. 16, 2009**

(51) **LOC (9) Cl.** **12-16**

(52) **U.S. Cl.** **D12/401**

(58) **Field of Classification Search** D12/401-405;
160/370.21, 370.22; 180/370.23; 280/770;
150/165-167; 296/136.01, 95.1, 84.1, 77.1;
224/328; 135/88.01, 88.1, 91, 93, 95
See application file for complete search history.

(56) **References Cited**

U.S. PATENT DOCUMENTS

2,643,911	A *	6/1953	Lyon	296/95.1
3,184,264	A	5/1965	Ealey et al.		
3,263,736	A	8/1966	Macomson		
4,848,825	A	7/1989	Niernberger		
4,966,405	A	10/1990	Tremaine et al.		
4,973,098	A	11/1990	McFall		
5,014,758	A	5/1991	Stinson		
5,275,460	A	1/1994	Kraus		
5,290,085	A	3/1994	Takagi		
5,356,191	A	10/1994	Sheehan		
5,378,035	A *	1/1995	Wu	296/136.03
5,429,406	A *	7/1995	Huang	296/95.1
5,435,362	A *	7/1995	Chiang	150/166
5,456,515	A	10/1995	Dang		
D364,846	S *	12/1995	Kelsey et al.	D12/401
5,511,845	A *	4/1996	Hindson	296/136.04
5,564,770	A	10/1996	Smith et al.		
5,690,376	A *	11/1997	Leidal	296/99.1

D393,828	S *	4/1998	Threats, Sr.	D12/401
D418,806	S	1/2000	Roell		
6,598,653	B1	7/2003	Gonzalez		
6,648,396	B2 *	11/2003	Monahan et al.	296/97.7
D496,322	S *	9/2004	Farney et al.	D12/401
D504,854	S	5/2005	Hicks		
2004/0040676	A1 *	3/2004	Engl et al.	160/370.22
2004/0069424	A1 *	4/2004	Seel	160/370.22
2004/0069425	A1 *	4/2004	Hansen et al.	160/370.22

* cited by examiner

Primary Examiner—Caron Veynar

Assistant Examiner—Katrina A Kile

(74) *Attorney, Agent, or Firm*—Robert C. Montgomery;
Joseph T. Yaksich

(57) **CLAIM**

The ornamental design for an exterior protective cover for automobile roof, as shown.

DESCRIPTION

FIG. 1 is a perspective view of an exterior protective cover for automobile roof;

FIG. 2 is an isometric view thereof;

FIG. 3 is a front view, with a rear view being a mirror image thereof;

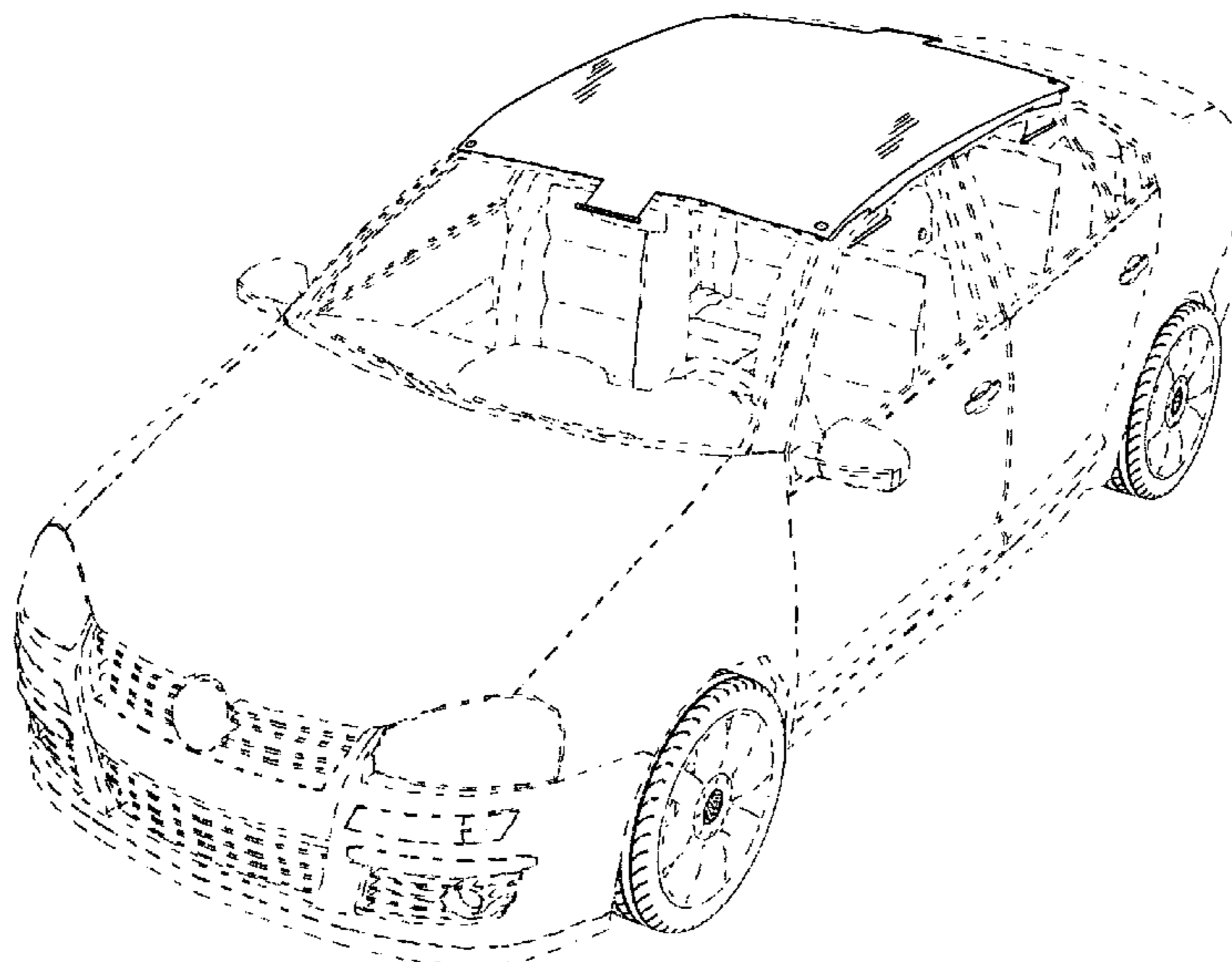
FIG. 4 is a right side view, with a left side view being a mirror image thereof;

FIG. 5 is a top view thereof; and,

FIG. 6 is a bottom view thereof.

For convenience of illustration, the layer on the bottom surface of the design that contacts the automobile roof as shown in FIG. 6 is understood to represent a layer which continues across the bottom surface.

1 Claim, 6 Drawing Sheets



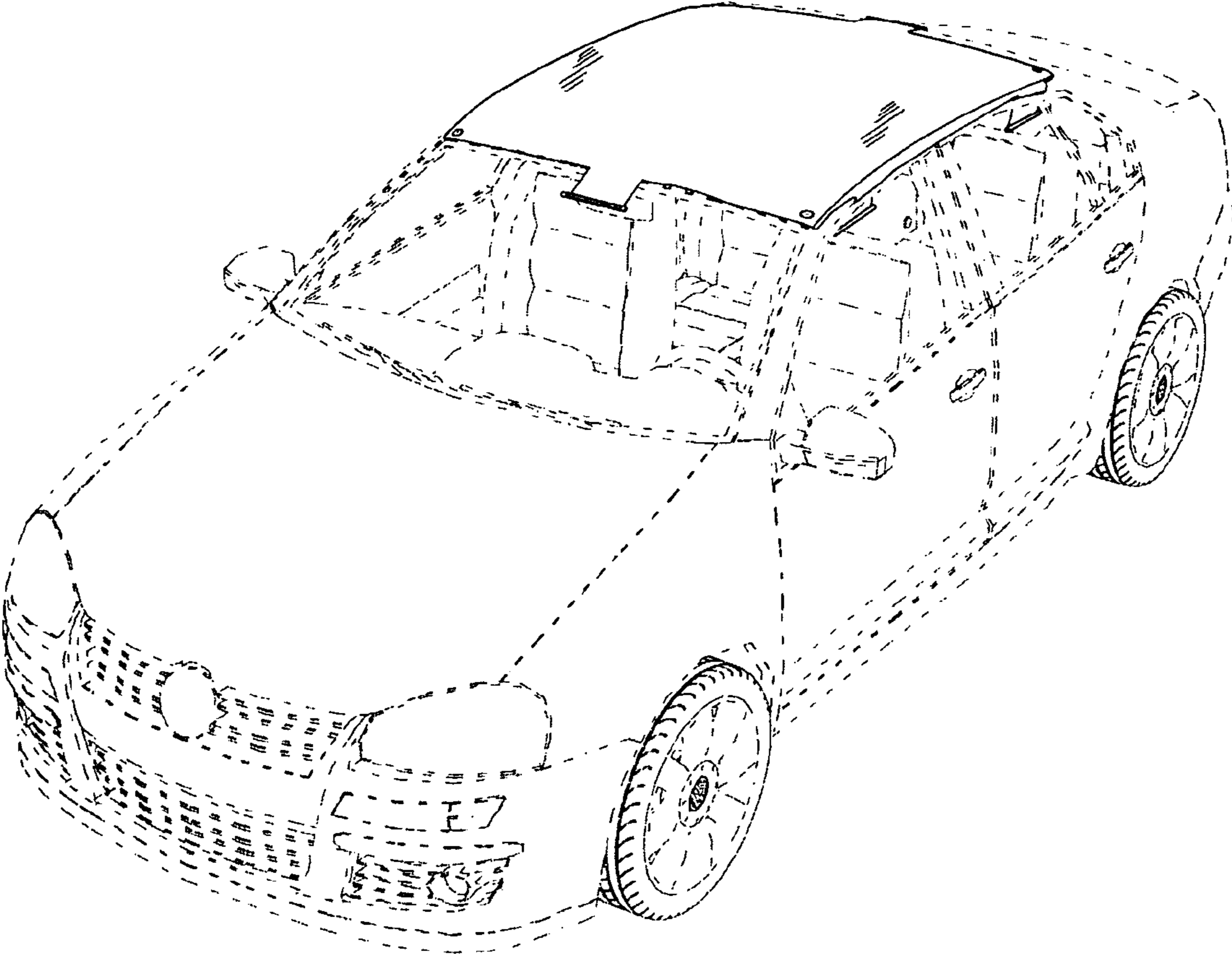


Fig. 1

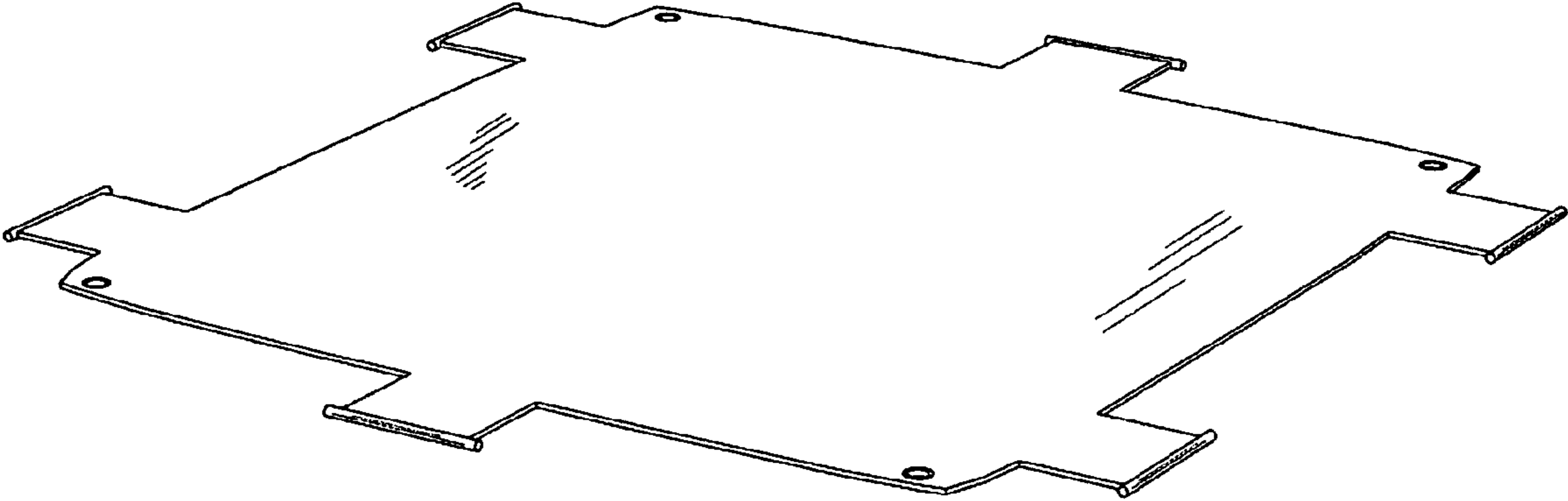


Fig. 2

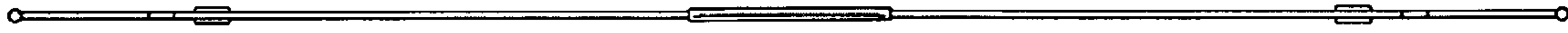


Fig. 3



Fig. 4

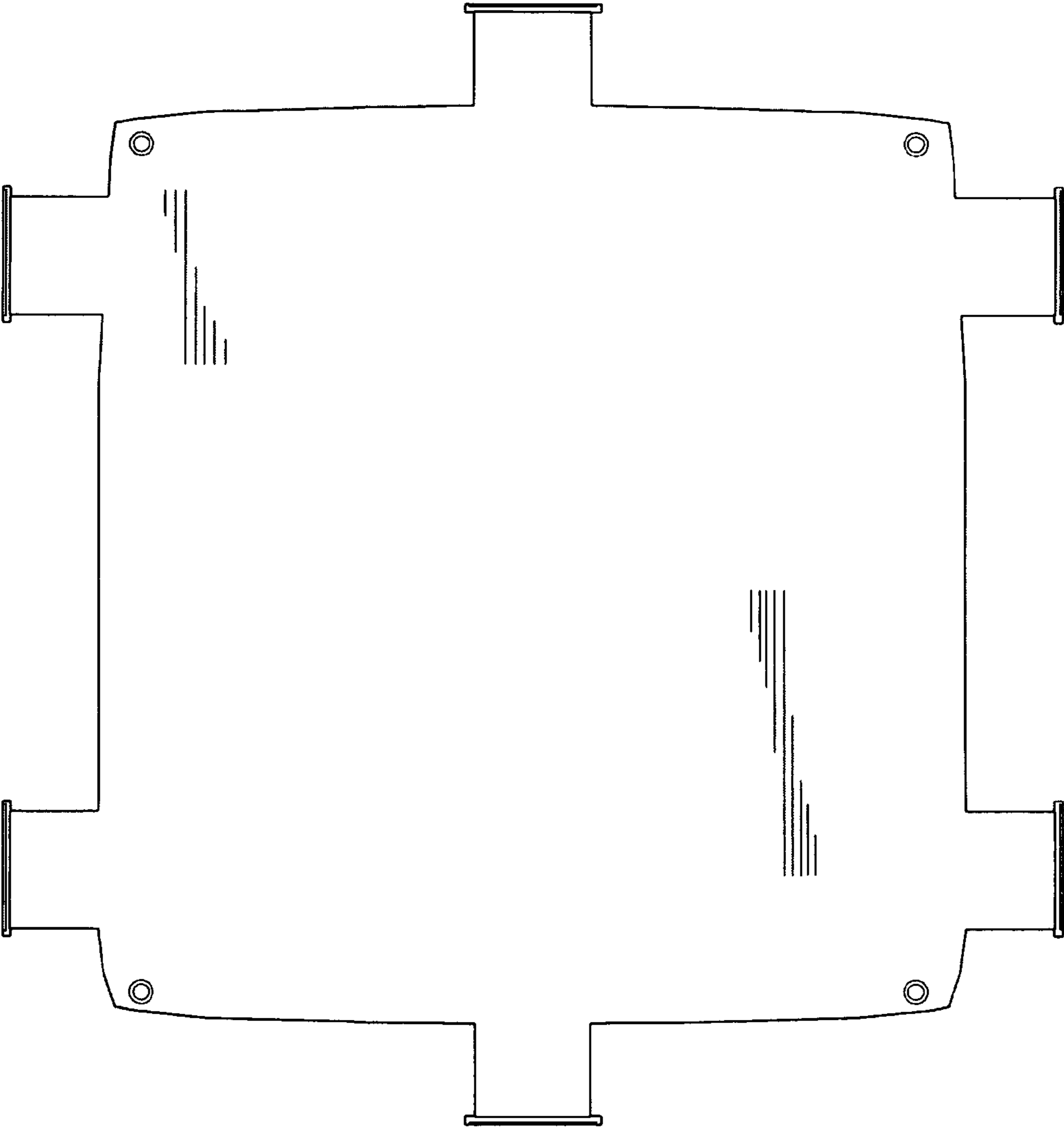


Fig. 5

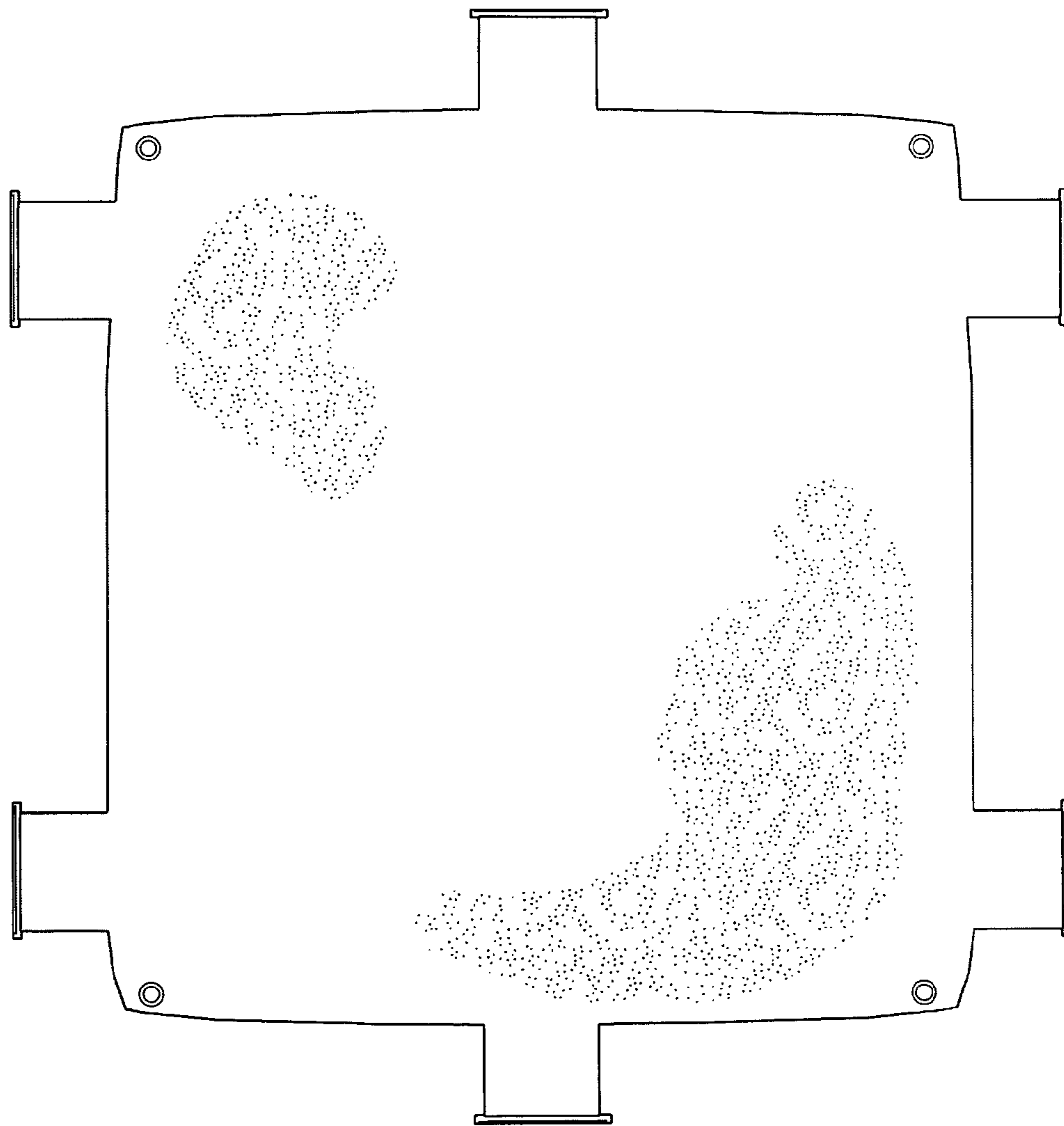


Fig. 6