



US00D600186S

(12) **United States Design Patent**  
**Bhambra**

(10) **Patent No.:** **US D600,186 S**

(45) **Date of Patent:** **\*\* \*Sep. 15, 2009**

(54) **TAILPIPE FOR A VEHICLE**

(75) Inventor: **Ranjit Bhambra**,  
Tiefenbronn-Muehlhausen (DE)

(73) Assignee: **Dr. Ing. h.c.F. Porsche**  
**Aktiengesellschaft**, Stuttgart (DE)

(\*) Notice: This patent is subject to a terminal disclaimer.

(\*\*) Term: **14 Years**

(21) Appl. No.: **29/306,765**

(22) Filed: **Apr. 16, 2008**

(30) **Foreign Application Priority Data**

Oct. 17, 2007 (EM) ..... 000810080-0001

(51) **LOC (9) Cl.** ..... **12-16**

(52) **U.S. Cl.** ..... **D12/194**

(58) **Field of Classification Search** ..... D12/194;  
181/227, 228, 239, 247-249, 264, 277-280,  
181/282; D15/5; 60/313, 312; 29/890.08;  
138/37-39, 44, 103, 109; D21/657  
See application file for complete search history.

(56) **References Cited**

**U.S. PATENT DOCUMENTS**

D488,114 S \* 4/2004 Kulla ..... D12/194  
D534,469 S \* 1/2007 Murkett ..... D12/194  
D539,715 S \* 4/2007 Lai ..... D12/194  
D540,231 S \* 4/2007 Braun et al. .... D12/194  
D553,062 S \* 10/2007 Murkett ..... D12/194

D556,660 S \* 12/2007 Murkett ..... D12/194  
D558,111 S \* 12/2007 Banks, III ..... D12/194  
2007/0291470 A1 \* 12/2007 Thomson ..... 362/96

\* cited by examiner

*Primary Examiner*—T. Chase Nelson  
*Assistant Examiner*—Michael A Pratt  
(74) *Attorney, Agent, or Firm*—RatnerPrestia

(57) **CLAIM**

The ornamental design for a tailpipe for a vehicle, as shown and described.

**DESCRIPTION**

This application is related to the following co-pending application: application Ser. No. 29/306,764, entitled "Tailpipe for a Vehicle".

FIG. 1 is a left, front, elevated perspective view of a tailpipe for a vehicle according to my novel design;

FIG. 2 is a front view thereof;

FIG. 3 is a top view thereof;

FIG. 4 is a bottom view thereof;

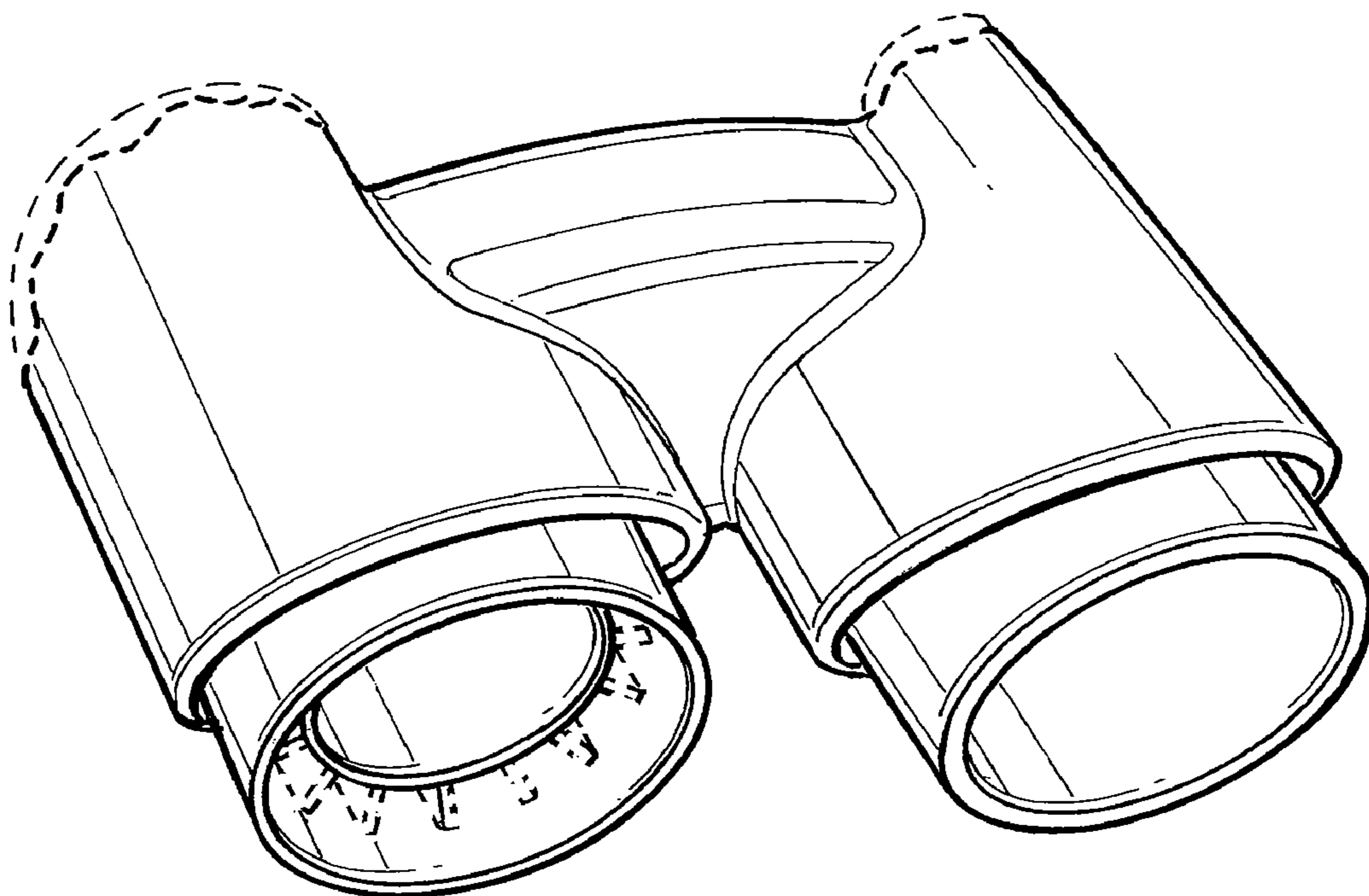
FIG. 5 is a left side view thereof; and,

FIG. 6 is a right side view thereof.

The broken lines are for illustrative purposes only and form no part of the claimed design.

The broken line showing of a pattern of radiating fins in FIGS. 1 and 2 various portions of the exhaust tip in FIGS. 1-6 is included for the purpose of illustrating environment and forms no part of the claimed designs.

**1 Claim, 3 Drawing Sheets**



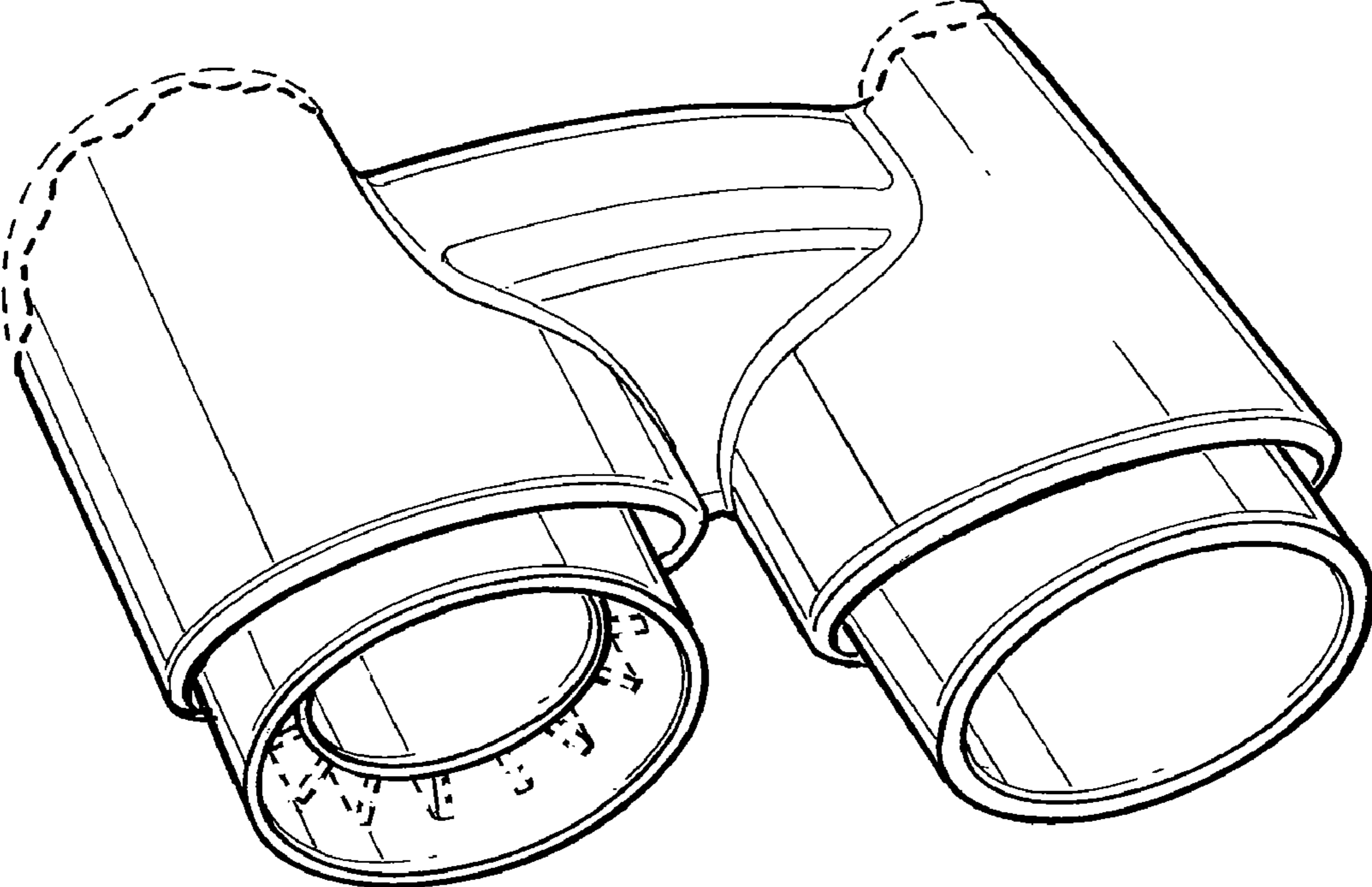


FIG. 1

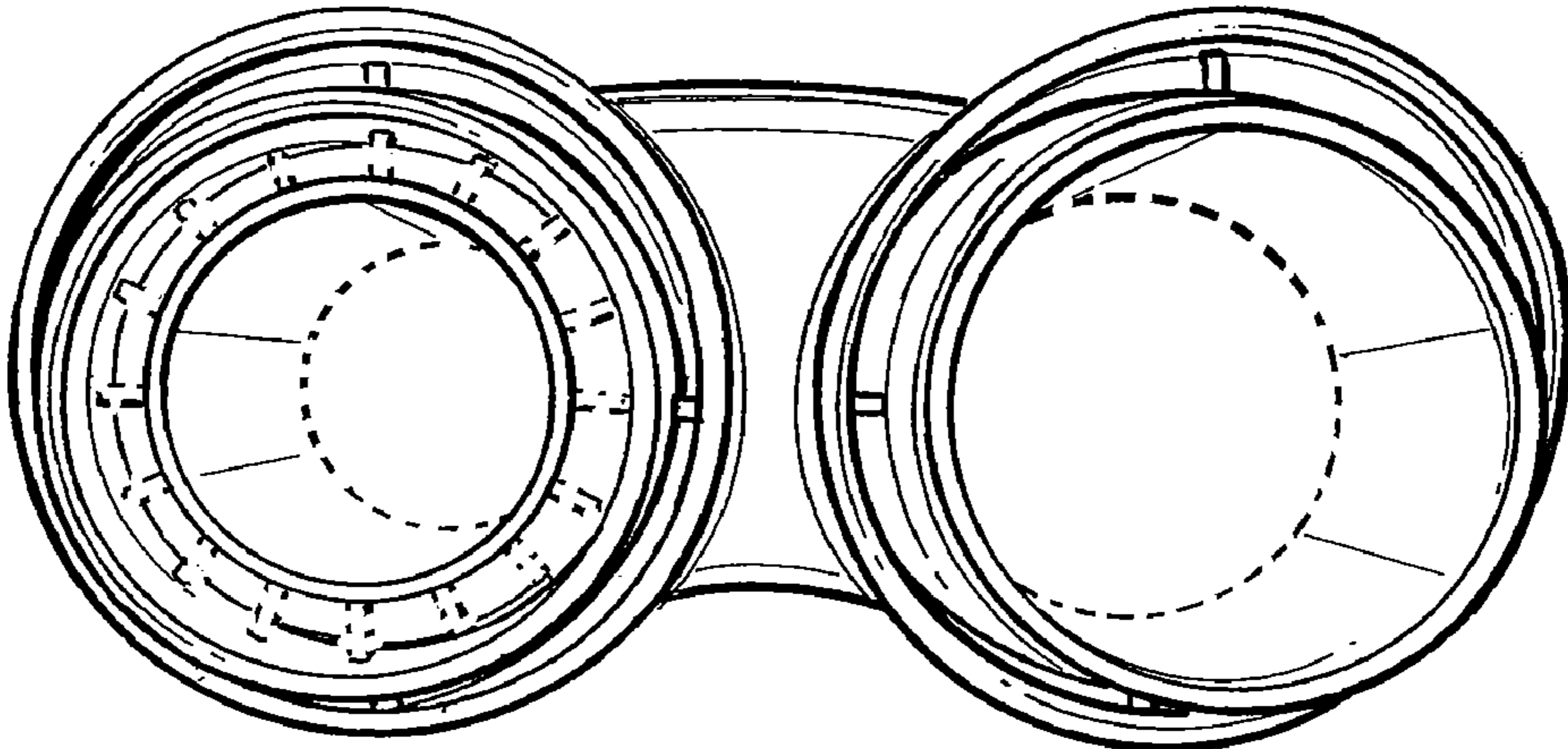


FIG. 2

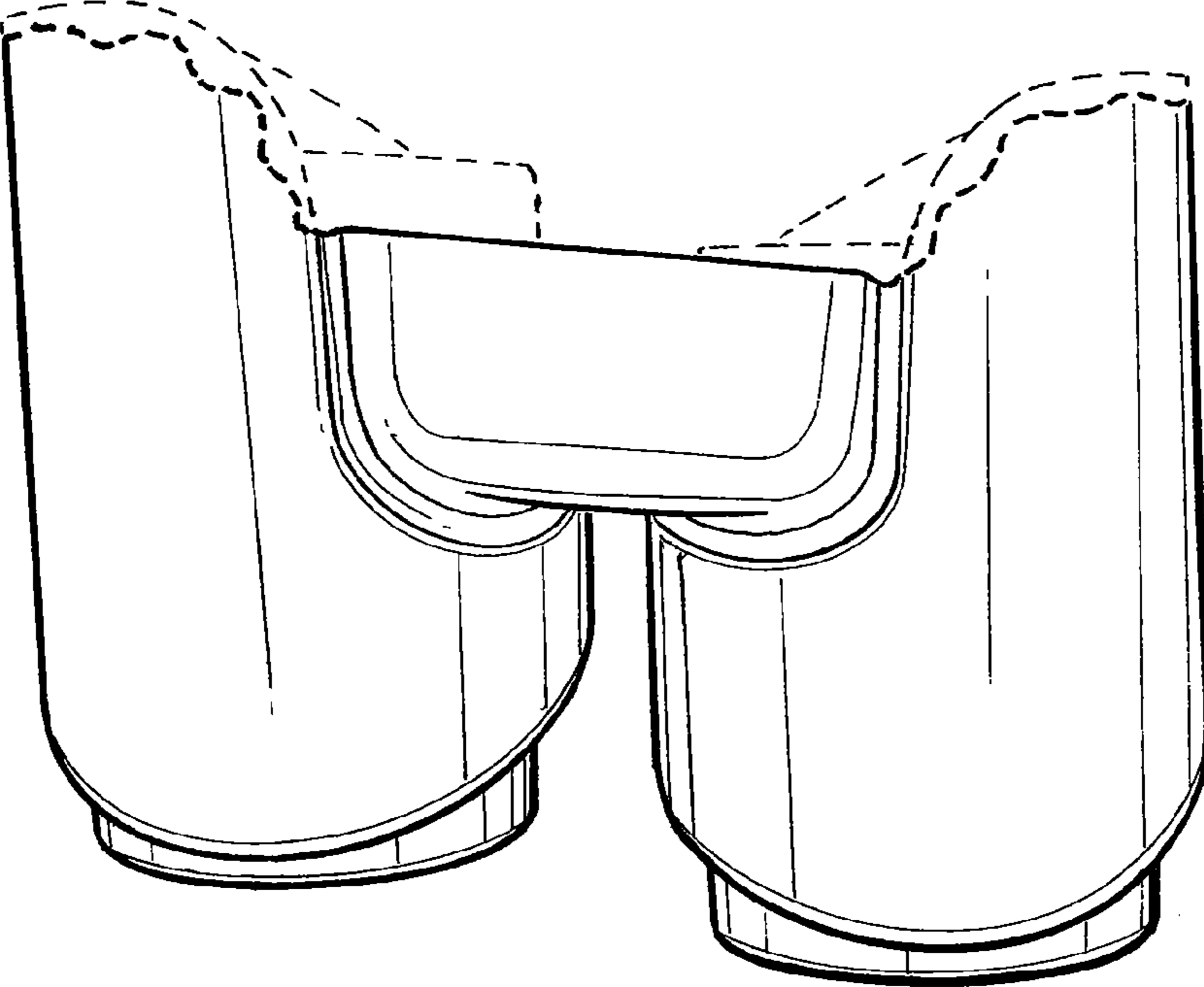


FIG. 3

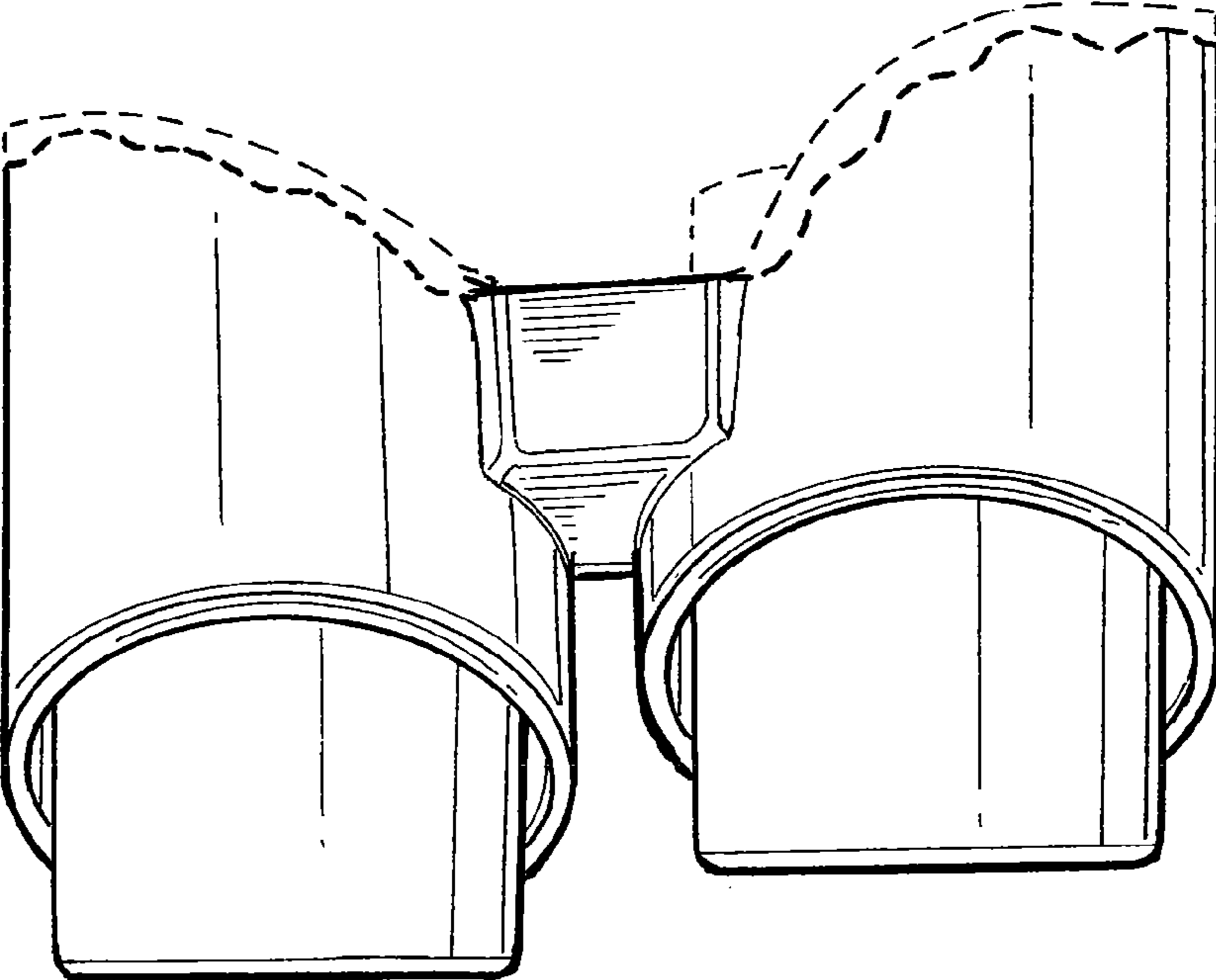


FIG. 4

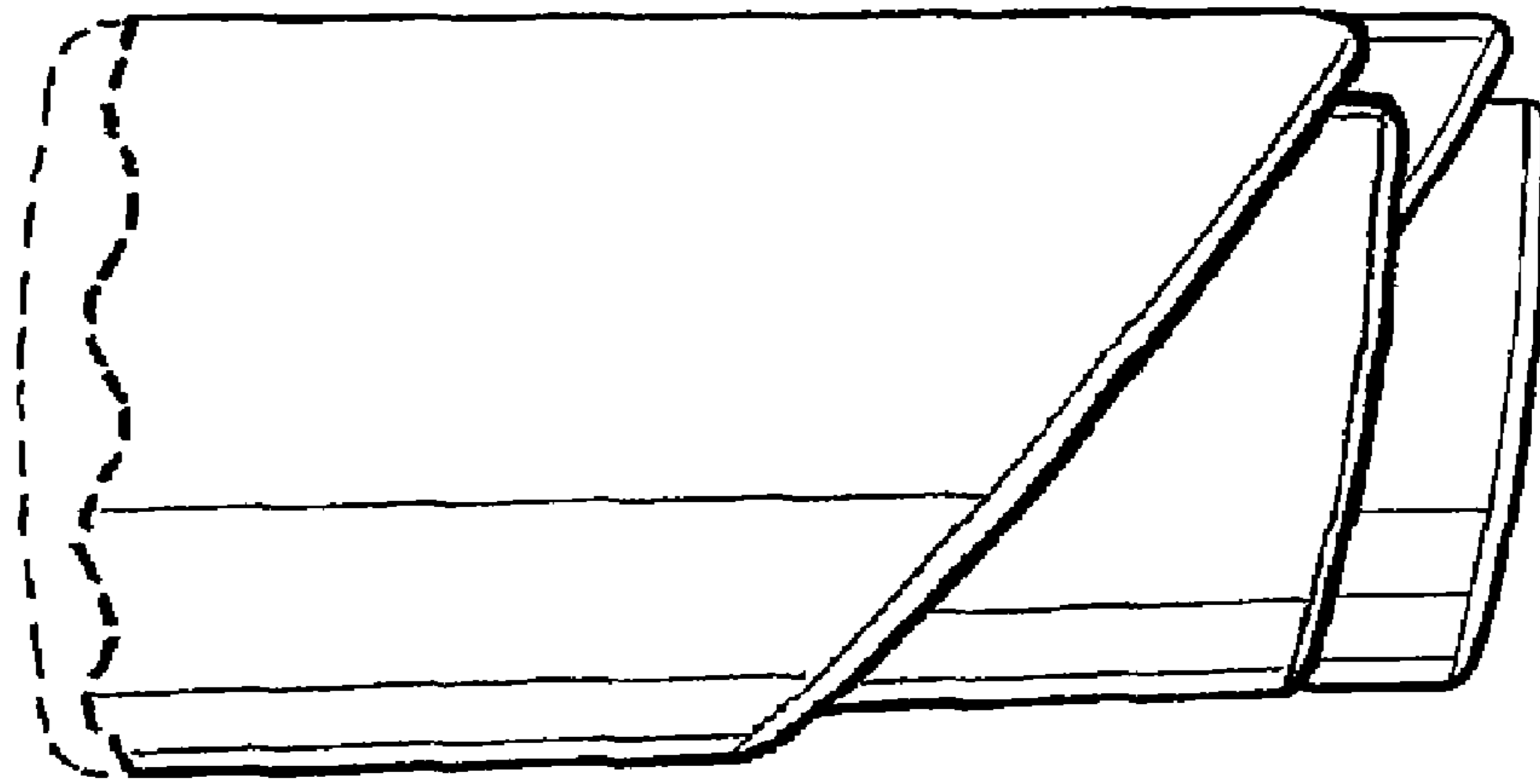


FIG. 5

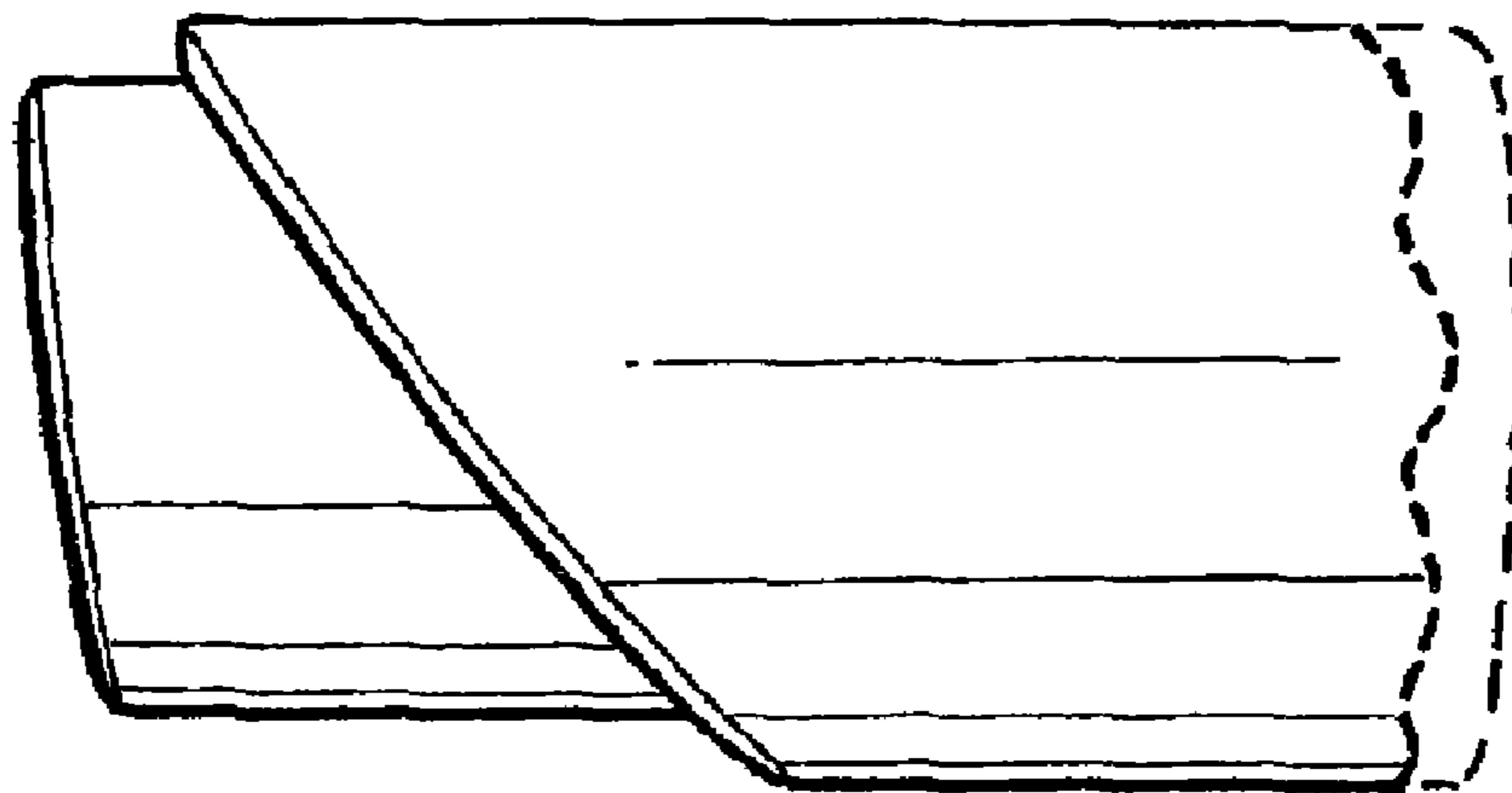


FIG. 6