



US00D600185S

(12) **United States Design Patent**
Habib

(10) **Patent No.:** **US D600,185 S**

(45) **Date of Patent:** **** Sep. 15, 2009**

(54) **DECORATIVE ELEMENT FOR A VEHICLE**

(75) Inventor: **Karim Habib**, Munich (DE)

(73) Assignee: **Bayerische Motoren Werke Aktiengesellschaft**, Munich (DE)

(**) Term: **14 Years**

(21) Appl. No.: **29/309,028**

(22) Filed: **Jun. 12, 2008**

(30) **Foreign Application Priority Data**

Dec. 13, 2007 (DE) 40706251

(51) **LOC (9) Cl.** **12-16**

(52) **U.S. Cl.** **D12/190**

(58) **Field of Classification Search** D12/190,
D12/181, 400, 90, 91, 92, 114, 199, 196,
D12/197, 86, 171, 172, 173, 169, 163; D11/211,
D11/81, 157, 133, 172; 293/102, 115, 1.07-1.08;
D20/11, 23, 24, 25; 40/760, 591-594; 428/98-99,
428/31

See application file for complete search history.

(56) **References Cited**

U.S. PATENT DOCUMENTS

- 441,467 A * 11/1890 Cziptschirsch 239/417
- 659,987 A * 10/1900 Marquette 261/131
- D217,959 S * 7/1970 Bott D12/190
- 4,617,209 A * 10/1986 Ives 428/31
- 5,267,763 A * 12/1993 Klein 293/128
- 5,599,608 A * 2/1997 Yamamoto et al. 428/192
- D447,983 S * 9/2001 Stoddard et al. D12/91

* cited by examiner

Primary Examiner—Caron Veynar
Assistant Examiner—Katrina A Kile

(74) *Attorney, Agent, or Firm*—Crowell & Moring LLP

(57) **CLAIM**

The ornamental design for a pair of decorative elements for a vehicle, as shown and described.

DESCRIPTION

FIG. 1 is a right perspective view of a first embodiment of a pair of decorative elements for a vehicle according to my novel design;

FIG. 2 is a left perspective view thereof;

FIG. 3 is a front view thereof;

FIG. 4 is a top view thereof;

FIG. 5 is a bottom view thereof; and

FIG. 6 is a left side view thereof.

FIG. 7 is a left perspective view of a second embodiment of the pair of decorative elements for a vehicle according to my novel design;

FIG. 8 is a right perspective view thereof;

FIG. 9 is a front view thereof;

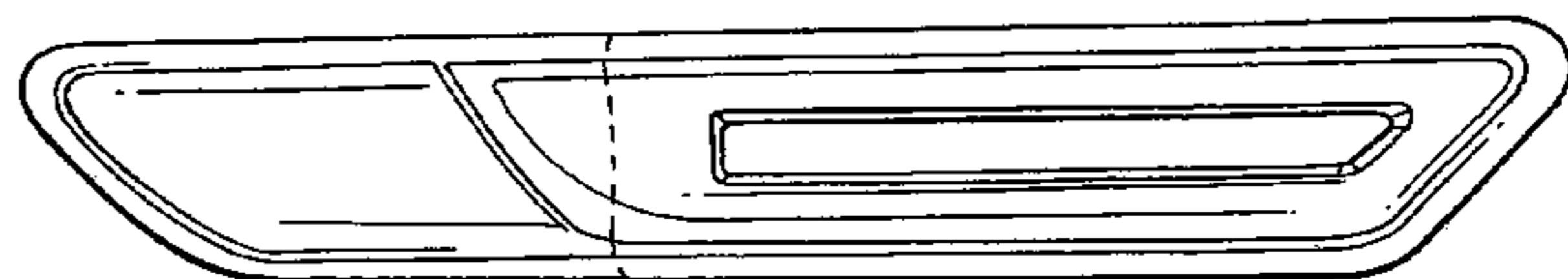
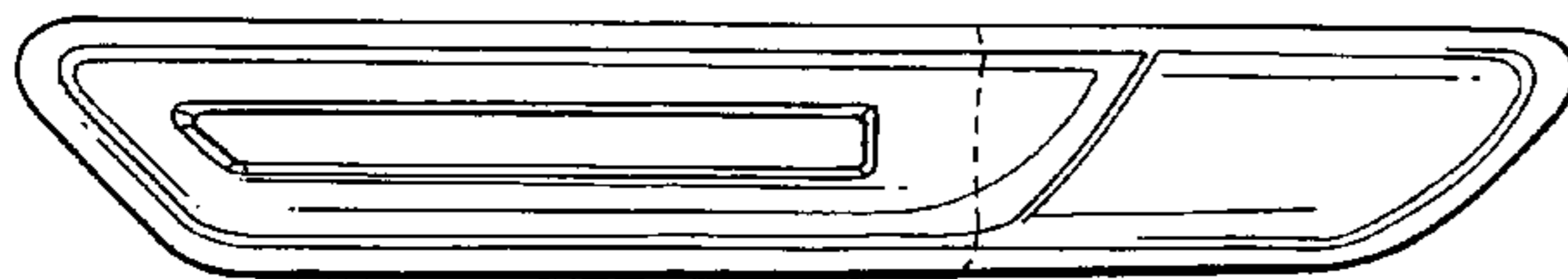
FIG. 10 is a top view thereof;

FIG. 11 is a bottom view thereof; and,

FIG. 12 is a right side view thereof.

In the drawings, the broken lines show a cut line and form no part of the claimed design.

1 Claim, 4 Drawing Sheets



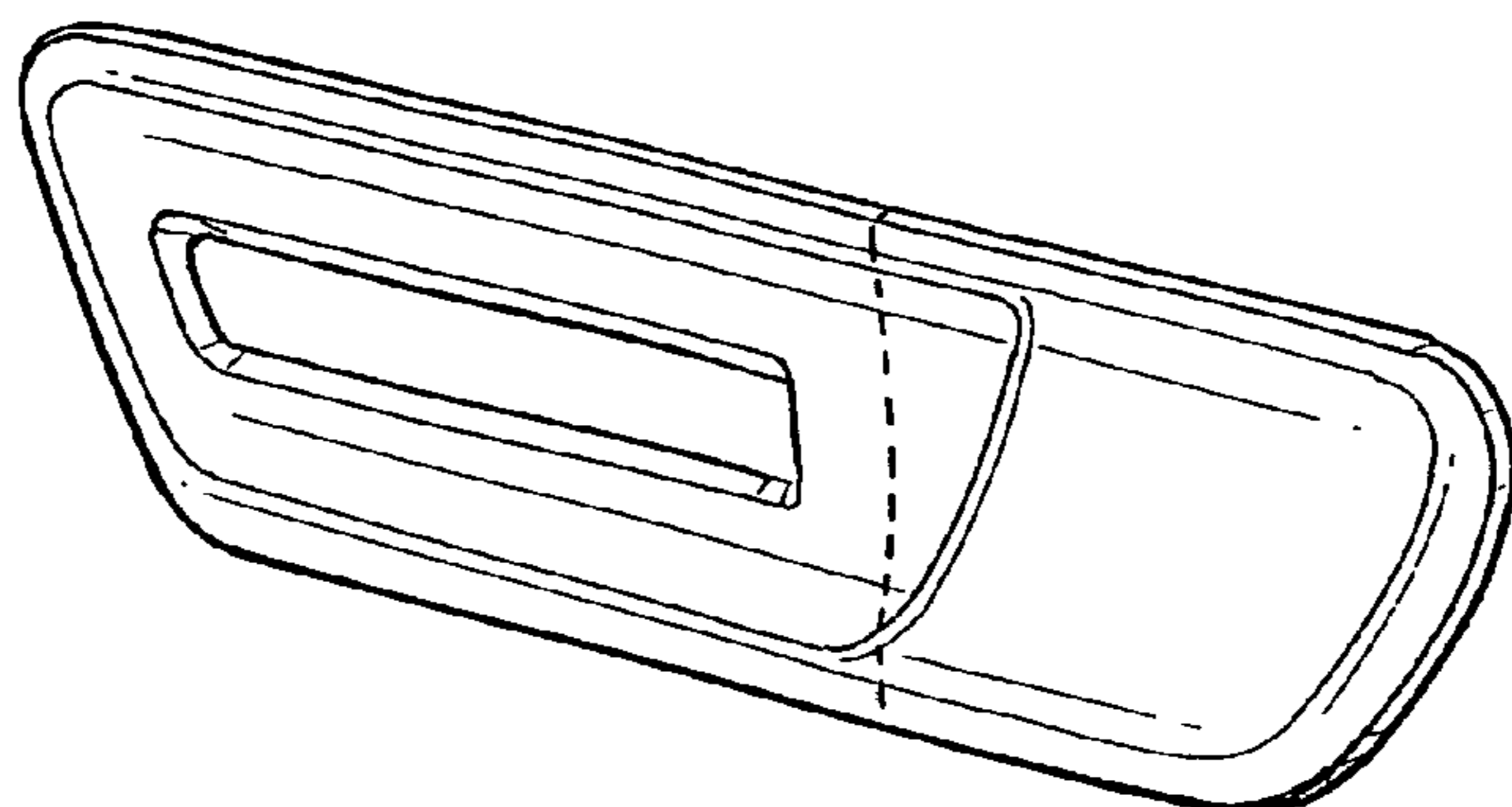


FIG. 1

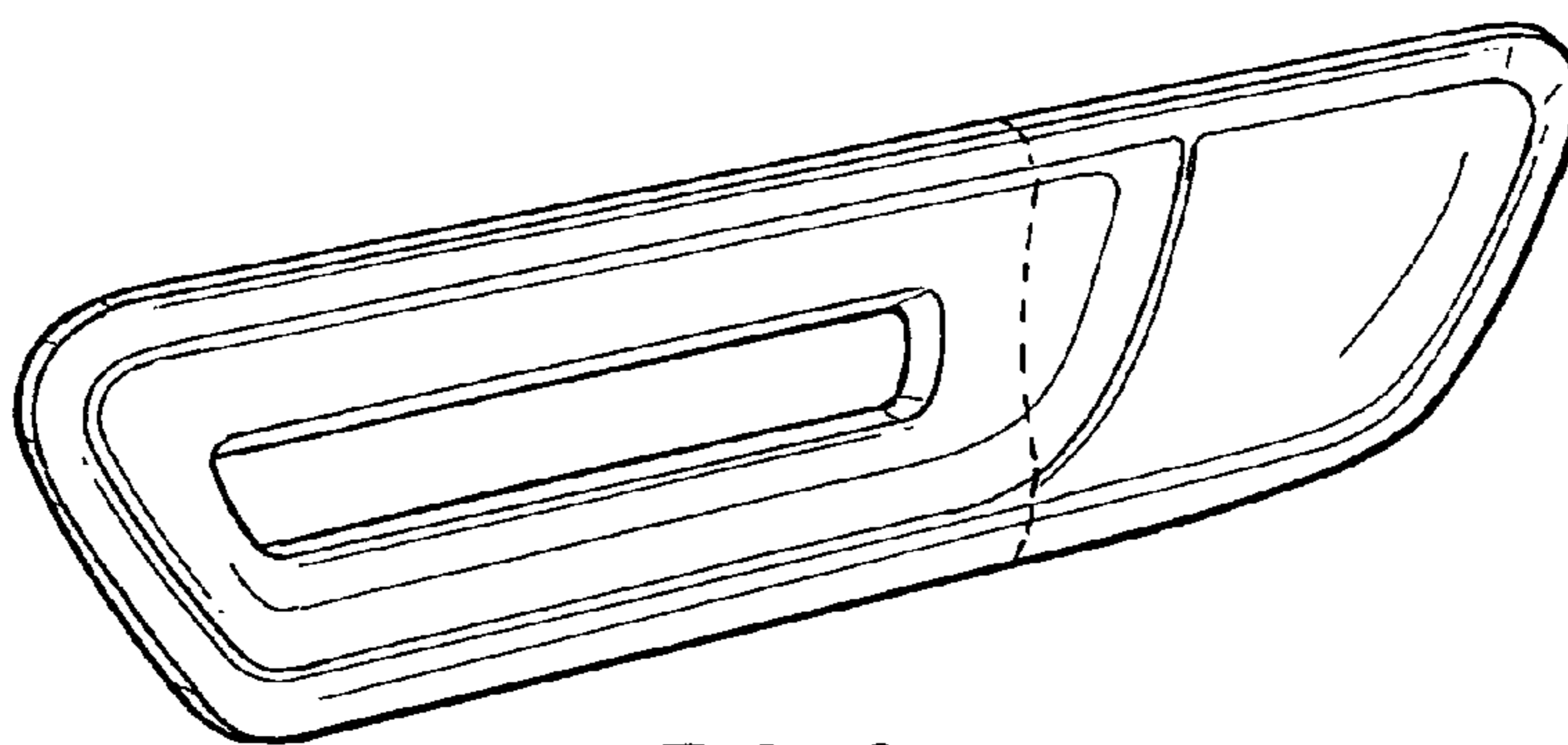


FIG. 2

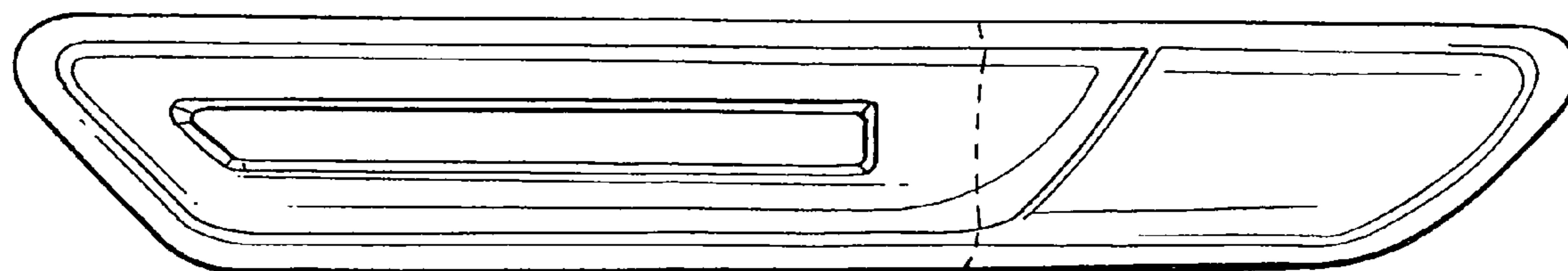


FIG. 3

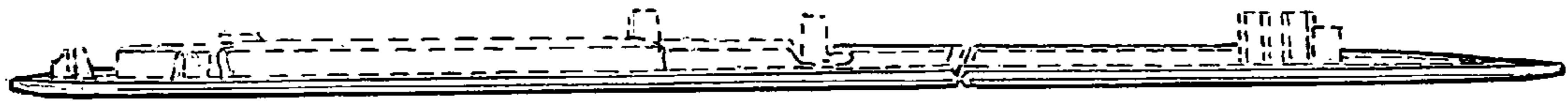


FIG. 4

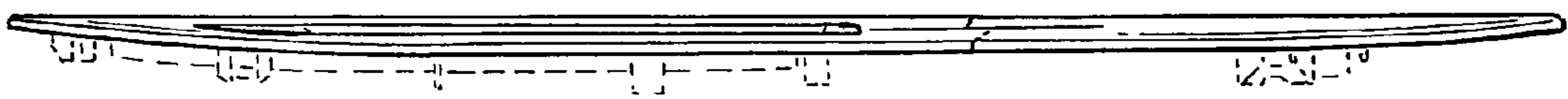


FIG. 5

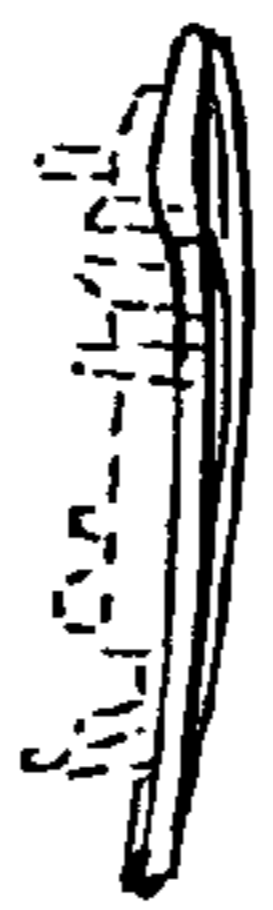


FIG. 6

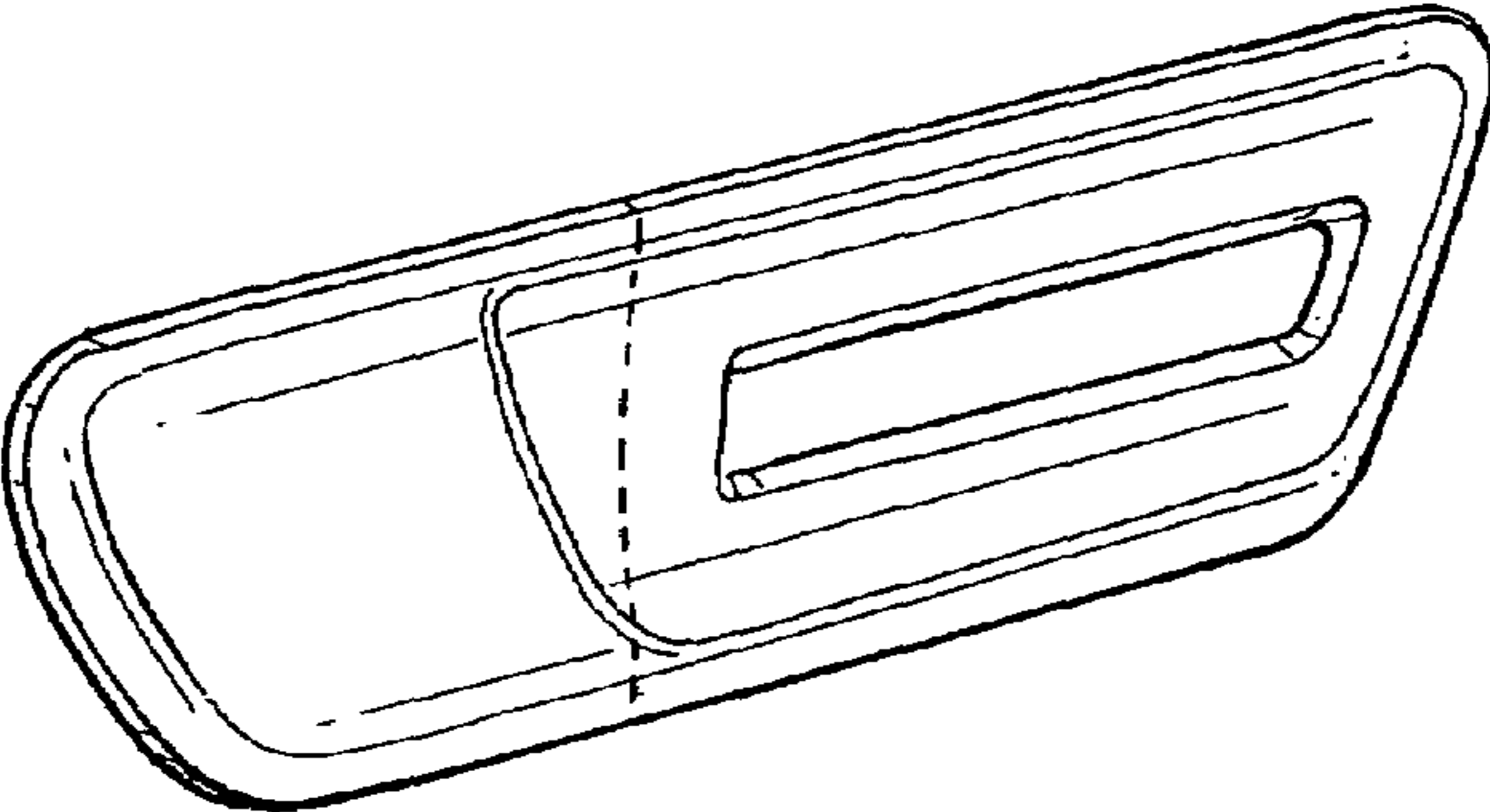


FIG. 7

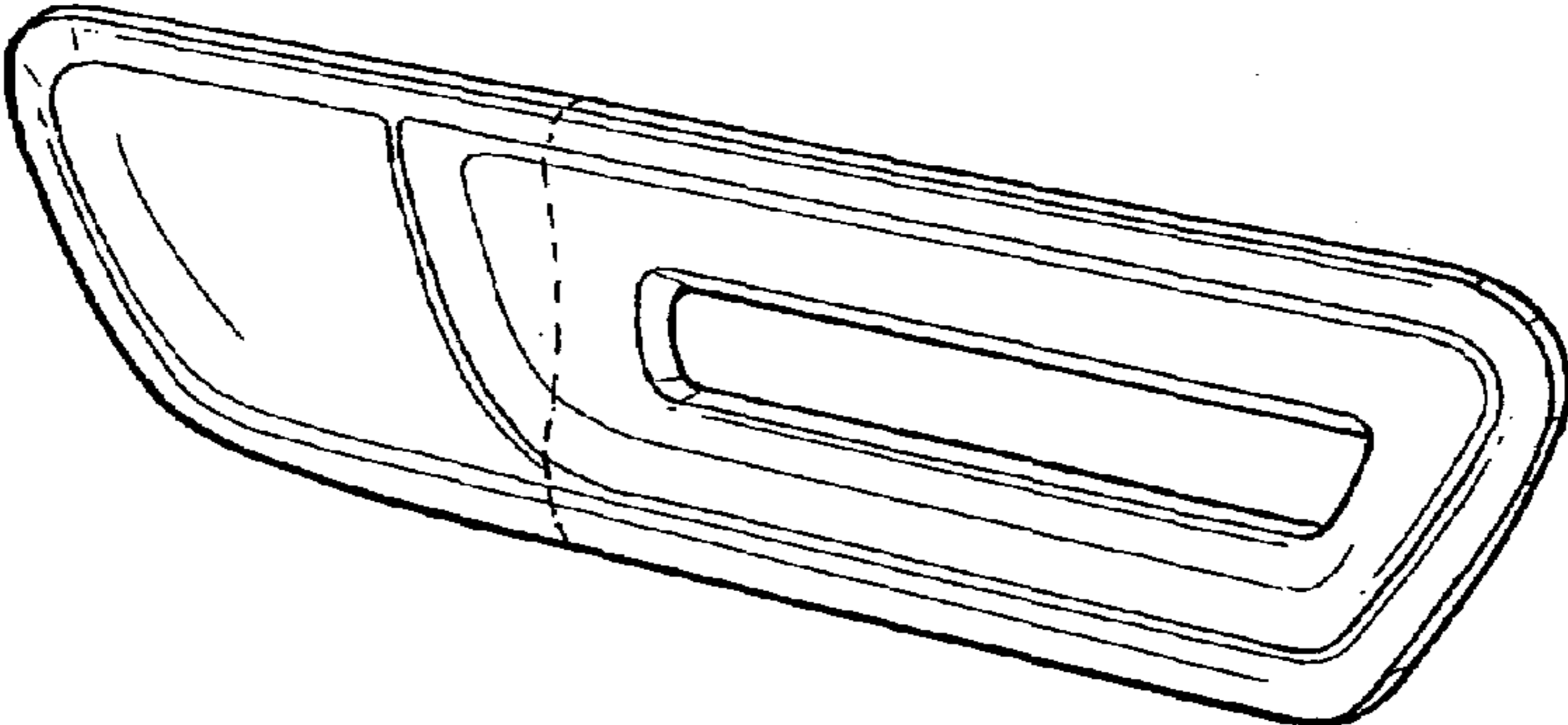


FIG. 8

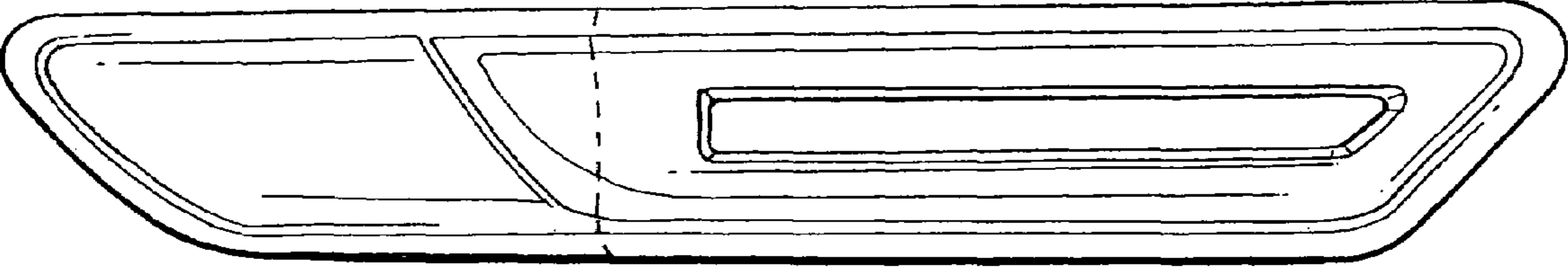


FIG. 9

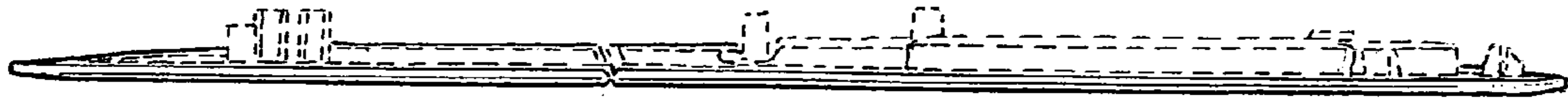


FIG. 10

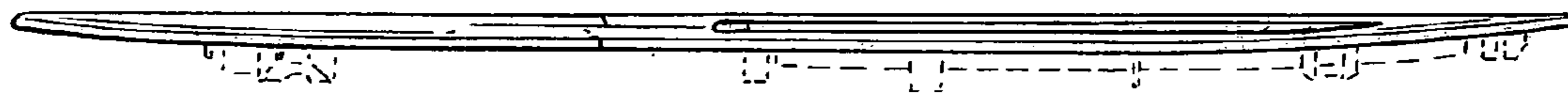


FIG. 11

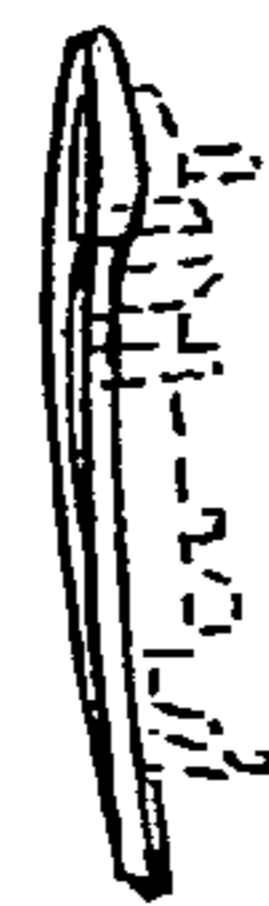


FIG. 12