



US00D600184S

(12) **United States Design Patent**
Baum

(10) **Patent No.:** **US D600,184 S**

(45) **Date of Patent:** **** Sep. 15, 2009**

(54) **SILL FOR A VEHICLE**

(75) Inventor: **Stephan Baum**, Olching (DE)

(73) Assignee: **Bayerische Motoren Werke Aktiengesellschaft**, Munich (DE)

(**) Term: **14 Years**

(21) Appl. No.: **29/290,184**

(22) Filed: **Nov. 1, 2007**

(51) **LOC (9) Cl.** **12-16**

(52) **U.S. Cl.** **D12/190**

(58) **Field of Classification Search** D12/190,
D12/181, 400, 90, 91, 92, 114, 199, 196,
D12/197, 86, 171, 172, 173, 169, 163; D11/211,
D11/81, 157, 133, 172; 293/102, 115, 1.07-1.08;
D20/11, 23, 24, 25; 40/760, 591-594; 428/98-99,
428/31

See application file for complete search history.

(56) **References Cited**

U.S. PATENT DOCUMENTS

D284,846 S *	7/1986	Sandberg	D12/181
D357,666 S *	4/1995	Ramaciotti	D12/196
D413,561 S *	9/1999	Kulla et al.	D12/190
D415,726 S *	10/1999	Mobius et al.	D12/190
D438,497 S *	3/2001	Yokomaku	D12/190
D447,990 S *	9/2001	Yokomaku	D12/190
D453,314 S *	2/2002	Longfellow	D12/190
D464,596 S *	10/2002	Yokomaku	D12/190
D468,671 S *	1/2003	Tampi	D12/190
D539,200 S *	3/2007	Chan	D12/190
2008/0217934 A1 *	9/2008	Hori et al.	293/102
2009/0066095 A1 *	3/2009	Karlander	293/102

* cited by examiner

Primary Examiner—Caron Veynar
Assistant Examiner—Katrina A Kile
(74) *Attorney, Agent, or Firm*—Crowell & Moring LLP

(57) **CLAIM**

The ornamental design for a pair of sills for a vehicle, as shown and described.

DESCRIPTION

This application is related to the following co-pending application: Application Ser. No. 29/290,181, entitled “Vehicle, Toy, or Likeness Thereof”.

FIG. 1 is a left perspective view of a first embodiment of a pair of sills for a vehicle according to my novel design;

FIG. 2 is a right perspective view thereof;

FIG. 3 is a front view thereof;

FIG. 4 is a left side view thereof; and

FIG. 5 is a right side view thereof.

FIG. 6 is a right perspective view of a second embodiment of the sill for a vehicle according to my novel design;

FIG. 7 is a left perspective view thereof;

FIG. 8 is a front view thereof;

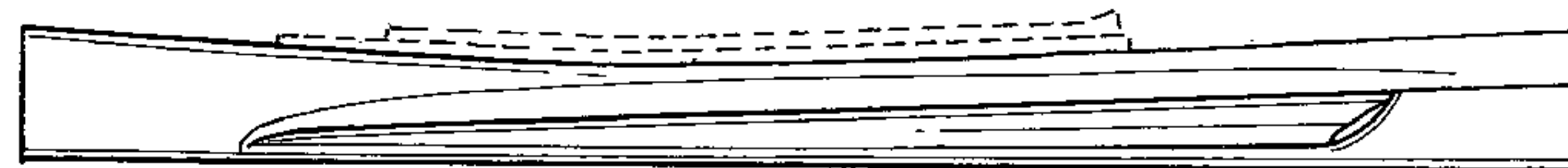
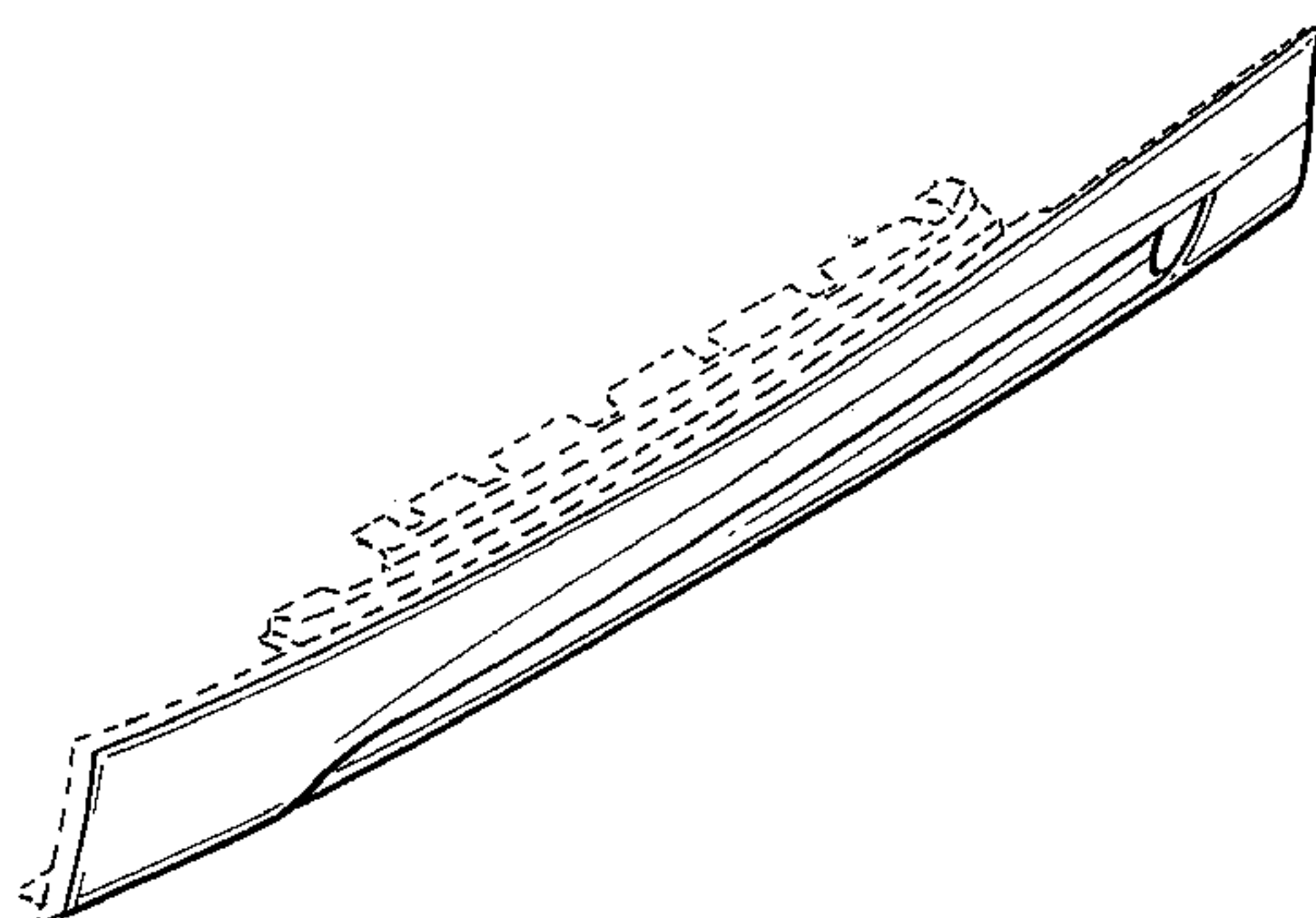
FIG. 9 is a right side view thereof; and,

FIG. 10 is a left side view thereof.

In the drawings, the broken lines show rear elements of a sill for a vehicle and form no part of the claimed design.

The broken lines are for illustrative purposes only and form no part of the claimed design.

1 Claim, 4 Drawing Sheets



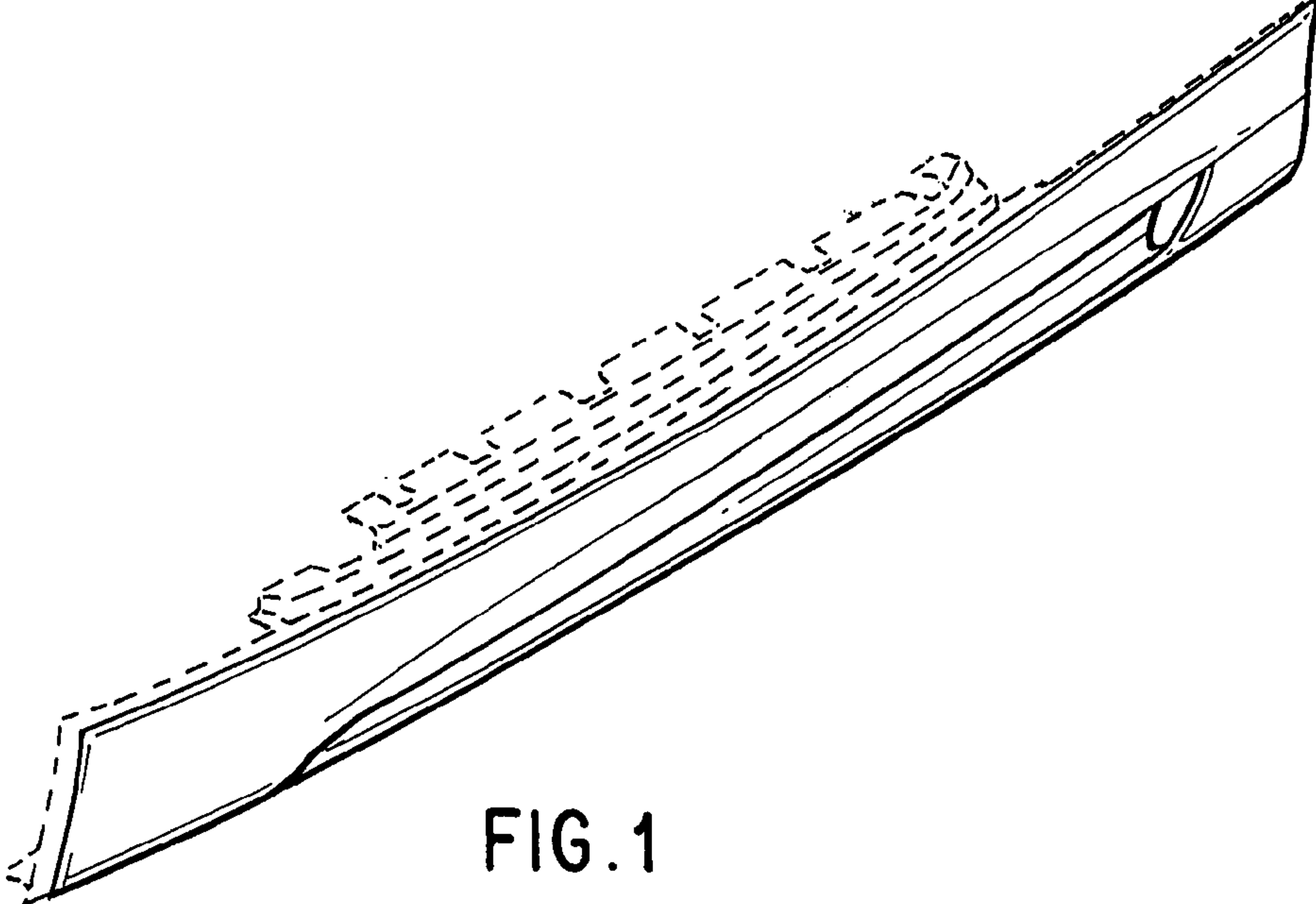


FIG. 1

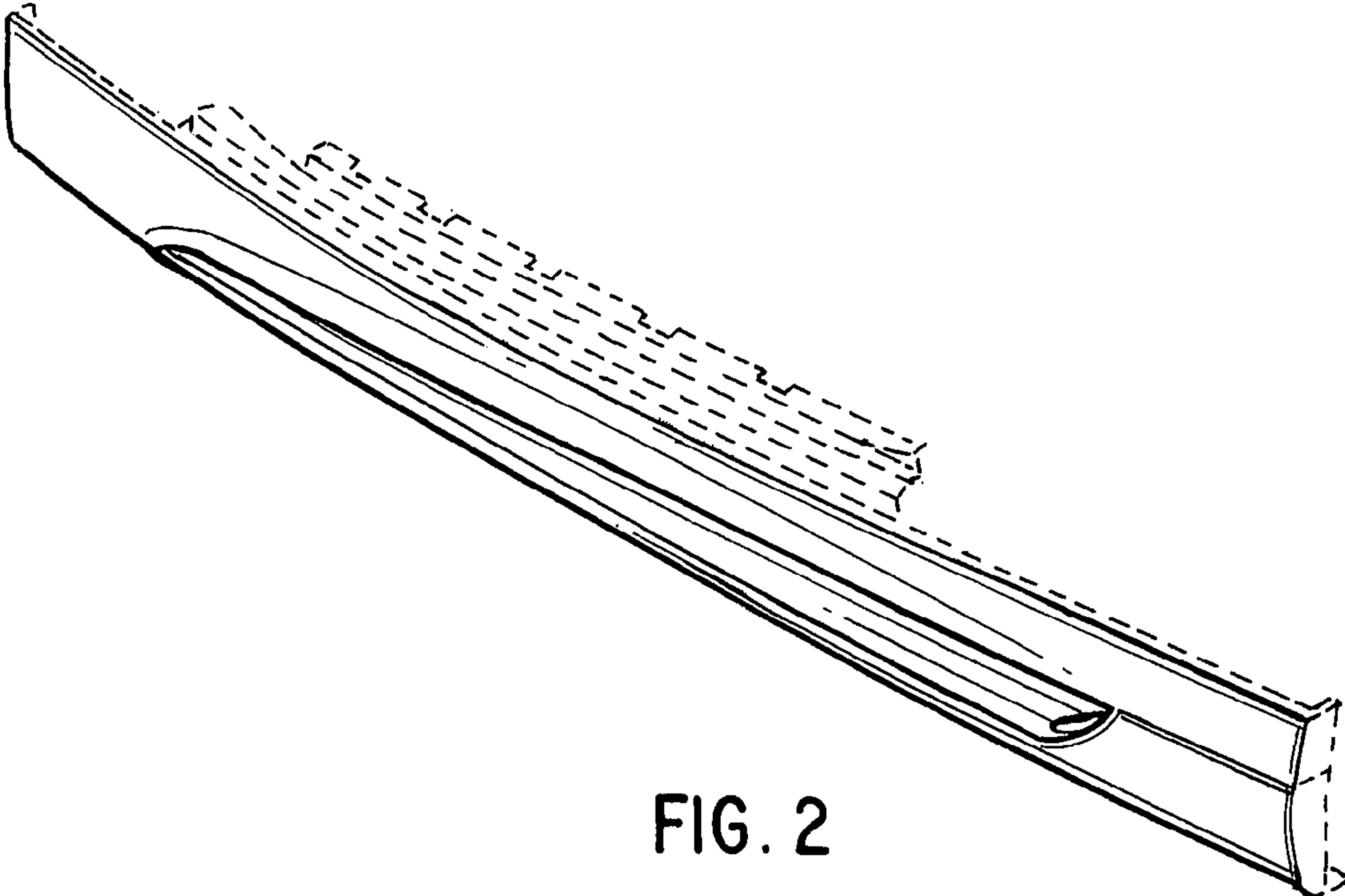


FIG. 2

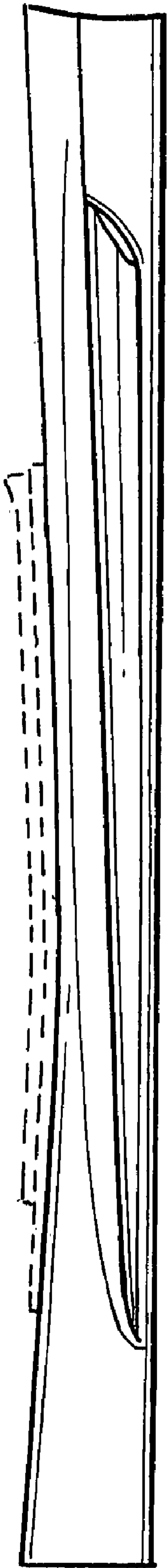


FIG. 3



FIG. 4



FIG. 5

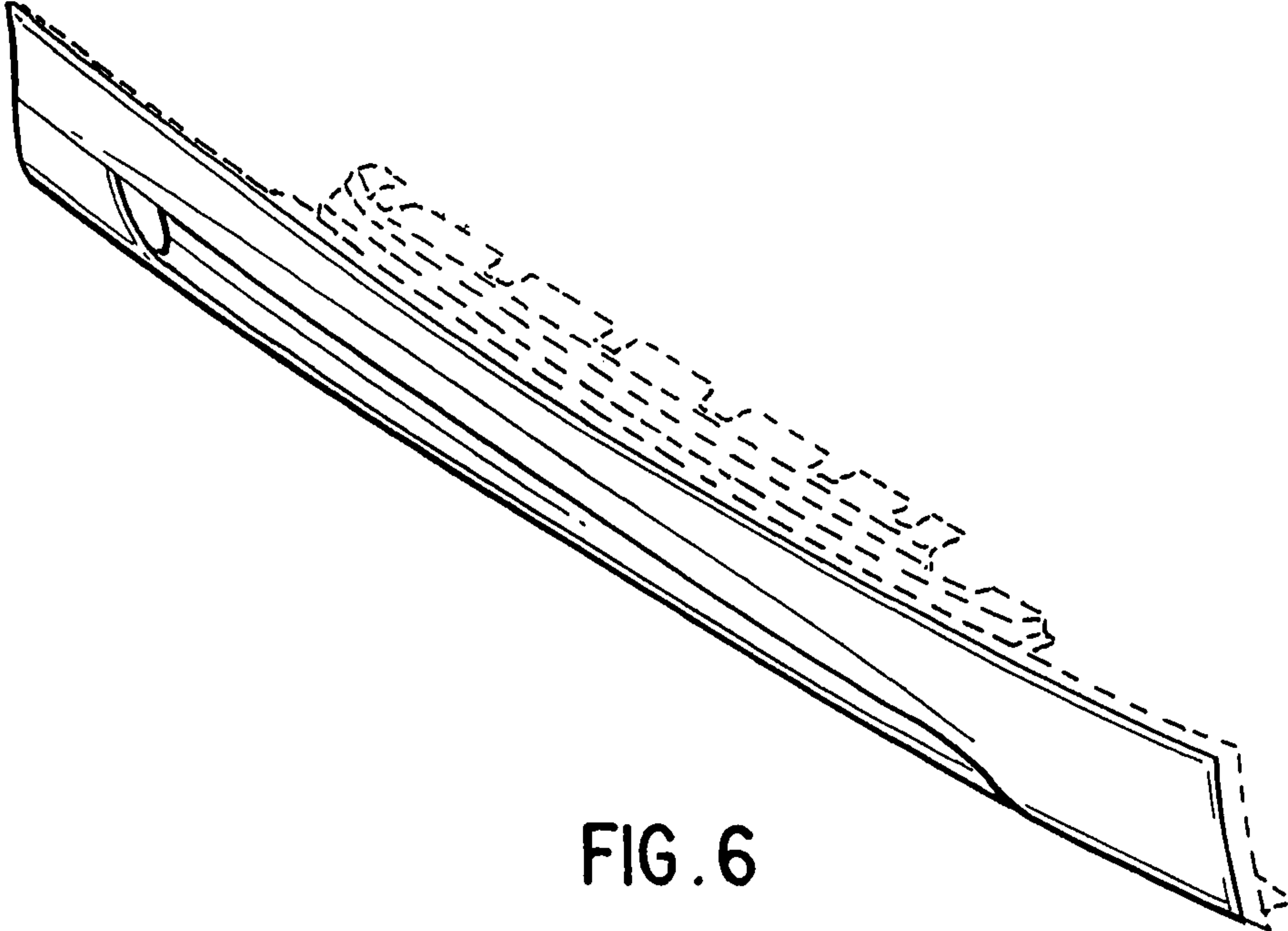


FIG. 6

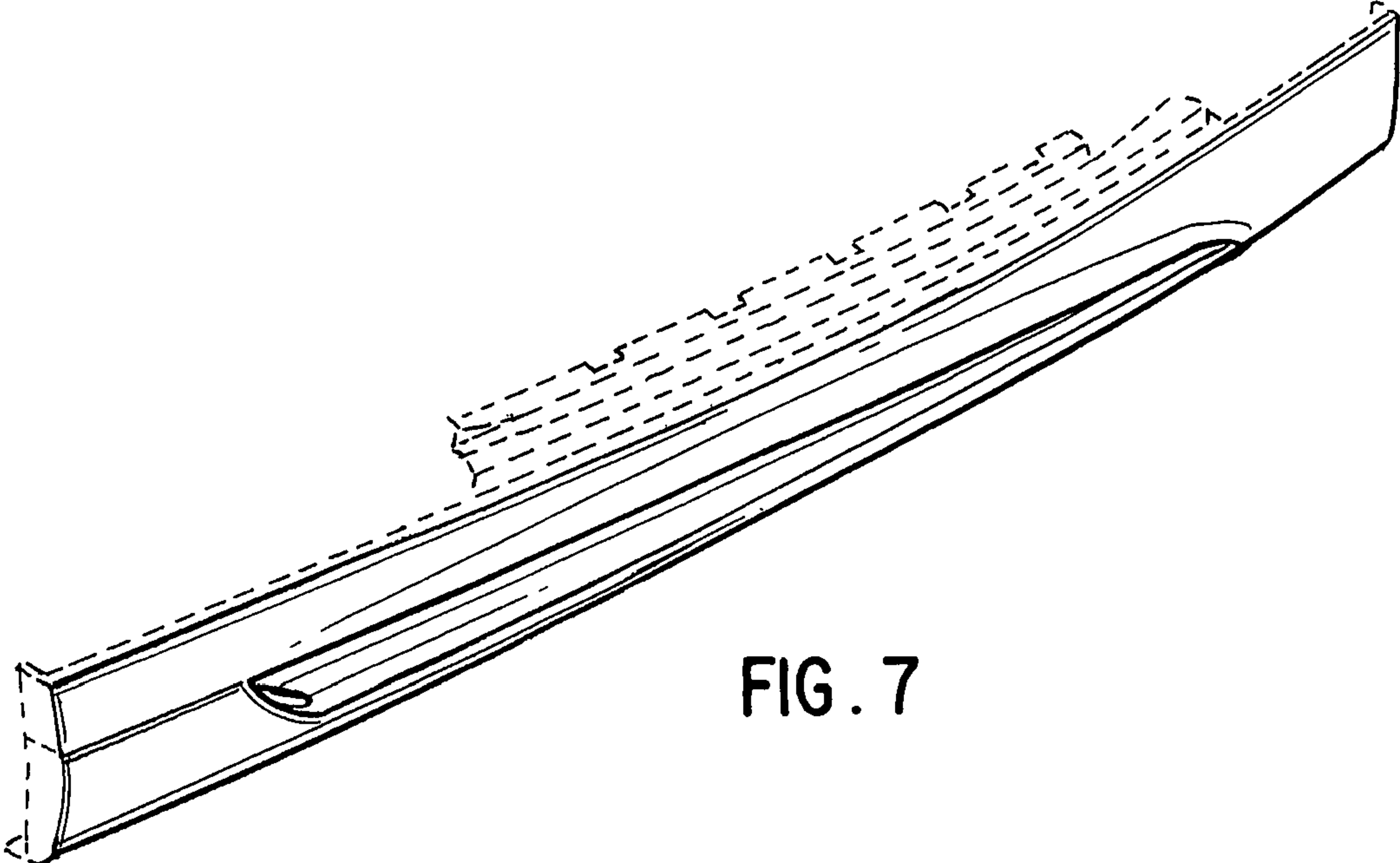


FIG. 7

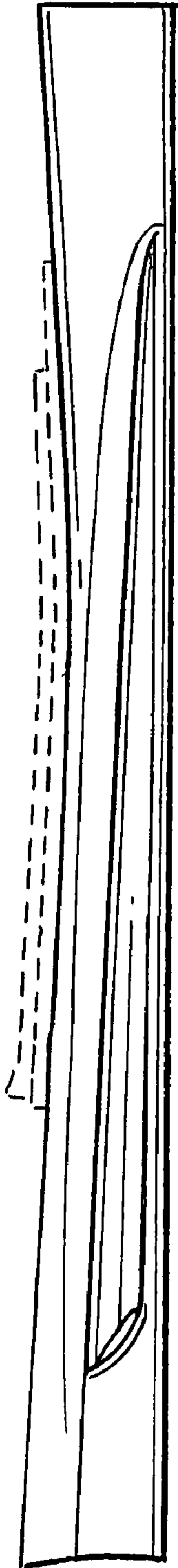


FIG. 8



FIG. 9



FIG. 10