



US00D600181S

(12) **United States Design Patent**
Larson

(10) **Patent No.:** **US D600,181 S**

(45) **Date of Patent:** **** Sep. 15, 2009**

(54) **AUTOMOBILE AIR VENT**

(75) **Inventor:** **Grant Larson**, Ludwigsburg (DE)

(73) **Assignee:** **Dr. Ing. h.c. F. Porsche AG**, Weissach (DE)

(**) **Term:** **14 Years**

(21) **Appl. No.:** **29/281,544**

(22) **Filed:** **Jun. 26, 2007**

(30) **Foreign Application Priority Data**

Dec. 27, 2006 (DE) 4 06 06 490

(51) **LOC (9) Cl.** **12-16**

(52) **U.S. Cl.** **D12/181; D12/190**

(58) **Field of Classification Search** D12/181,
D12/191, 196, 400, 190, 88; 280/727, 770,
280/848; 296/180.1-180.5, 91; 180/903

See application file for complete search history.

(56) **References Cited**

U.S. PATENT DOCUMENTS

D170,842 S * 11/1953 Voss D12/190

D191,133 S * 8/1961 Montgomery D32/73

D404,698 S * 1/1999 Schenk et al. D12/183

* cited by examiner

Primary Examiner—Caron Veynar

Assistant Examiner—Katrina A Kile

(57) **CLAIM**

The ornamental design for an automobile air vent, as shown and described.

DESCRIPTION

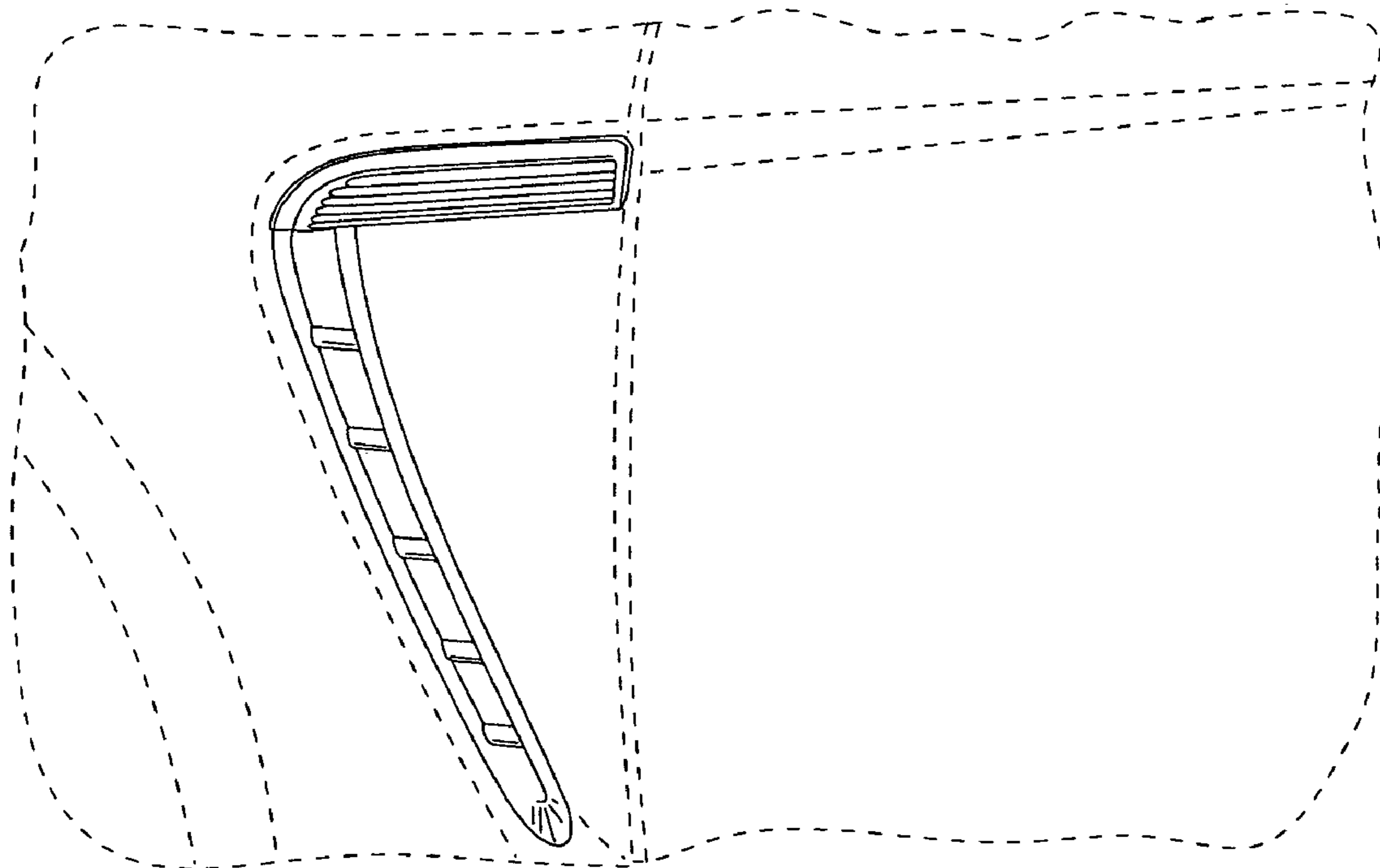
FIG. 1 is a front, perspective view of the automobile air vent, showing my new design integrated into an automobile panel;

FIG. 2 is a front view thereof; and,

FIG. 3 is a perspective view thereof.

In the drawings, the broken lines depict portions of an automobile and form no part of the claimed design.

1 Claim, 3 Drawing Sheets



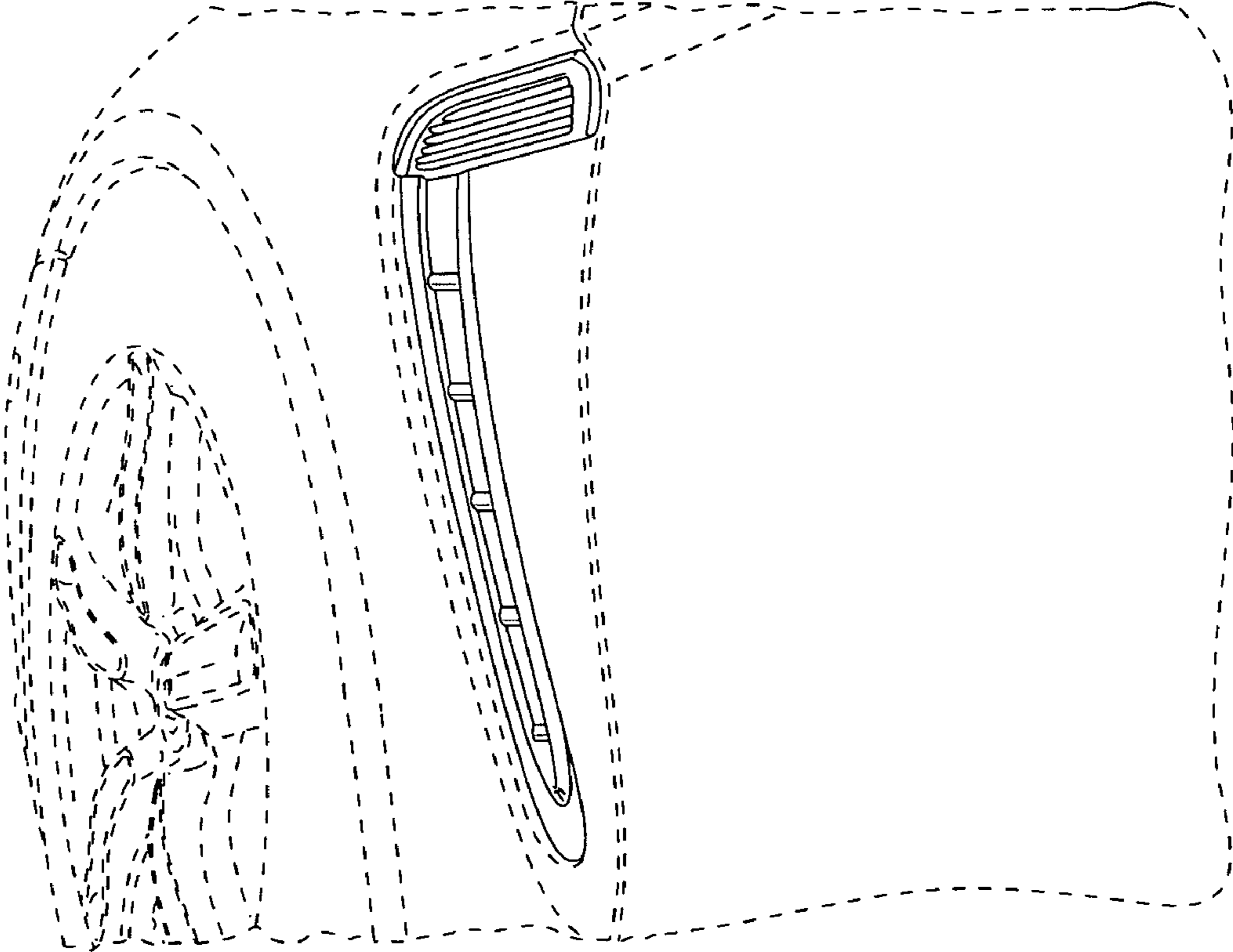


FIG. 1

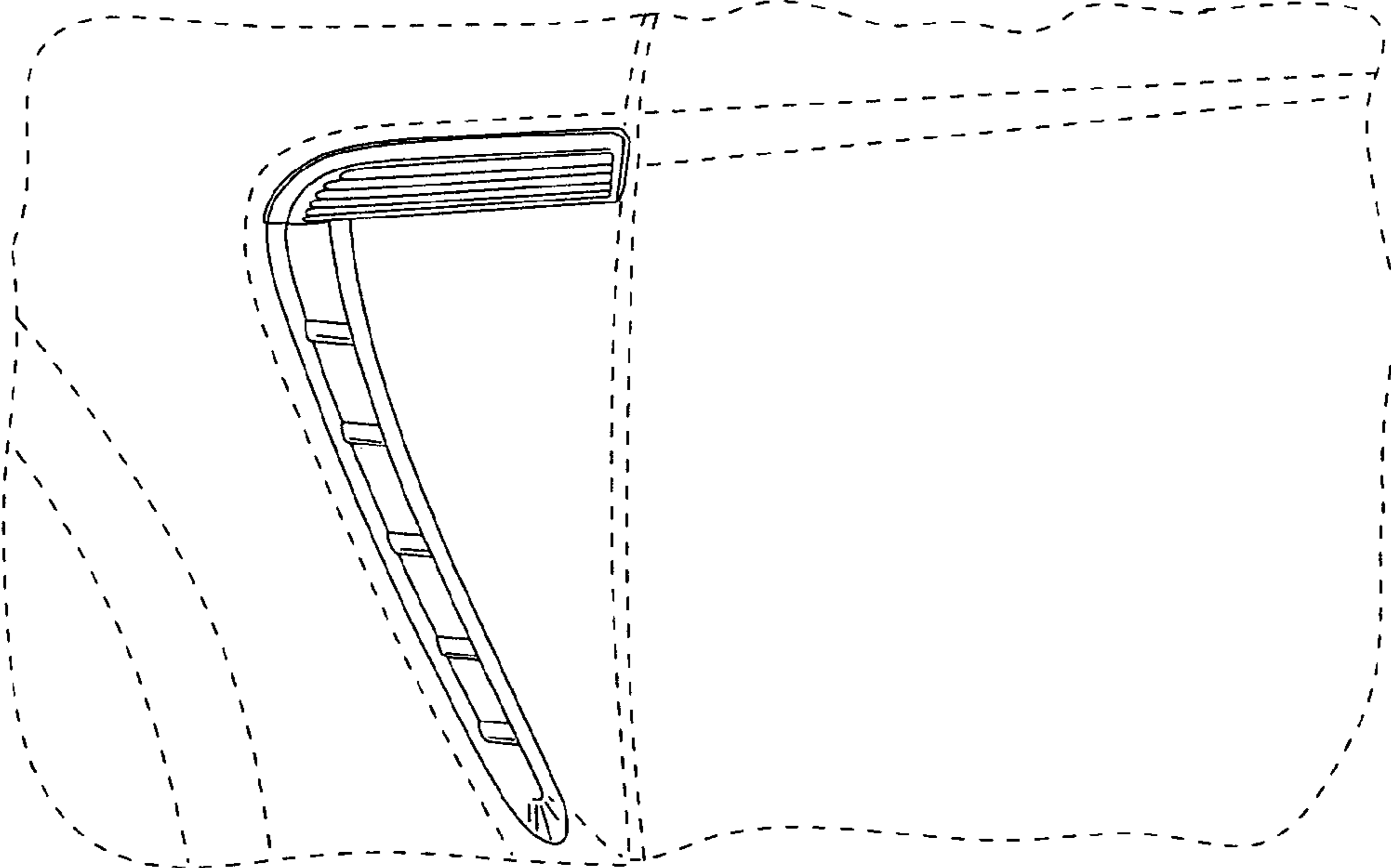


FIG. 2

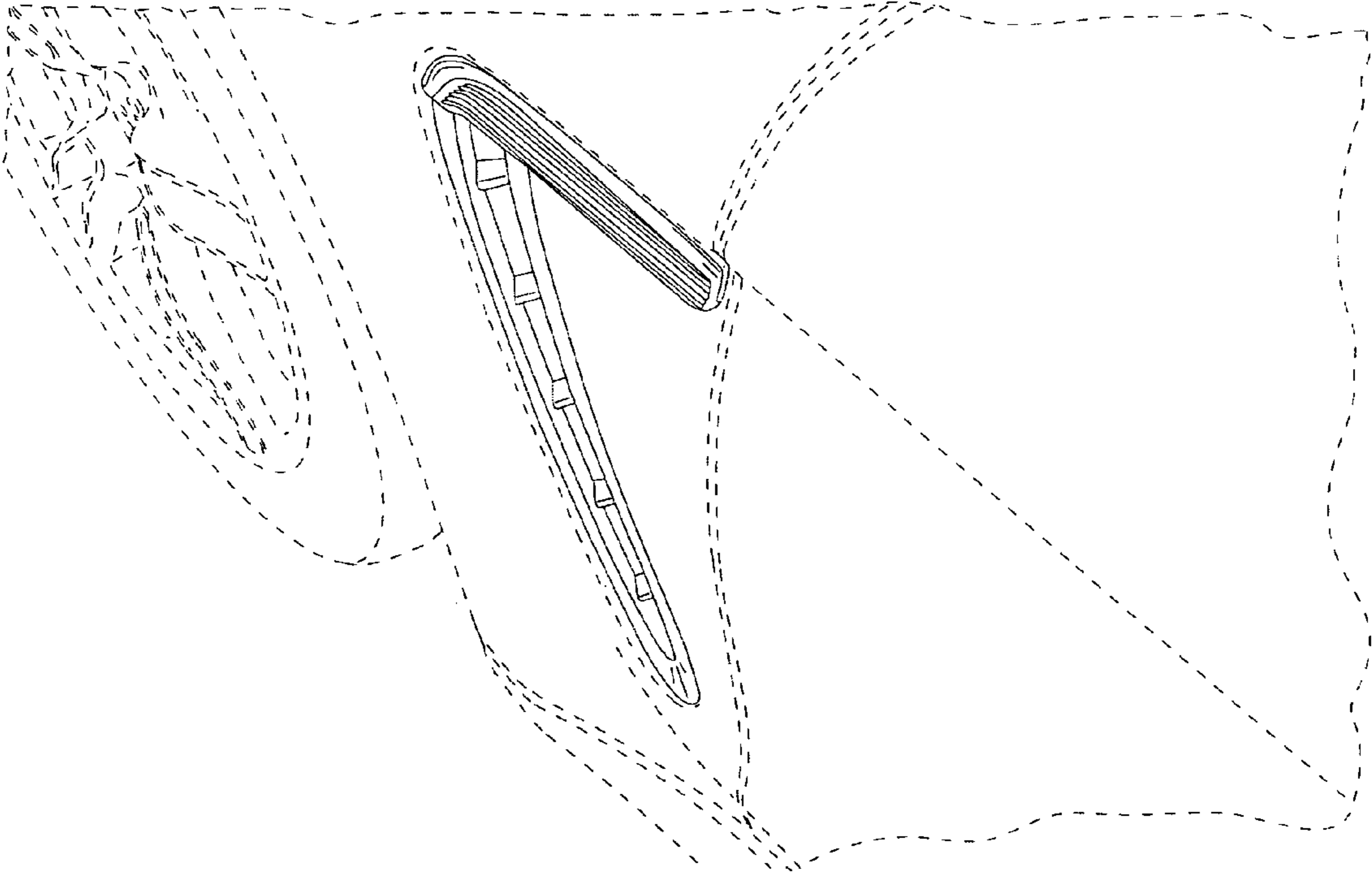


FIG. 3