



US00D600180S

(12) **United States Design Patent**  
**Schulz et al.**

(10) **Patent No.:** **US D600,180 S**  
(45) **Date of Patent:** **\*\* Sep. 15, 2009**

(54) **CLUTCH ACTUATOR**

(75) Inventors: **Marcus Schulz**, Neustadt (DE); **Holger Kelpe**, Hannover (DE)

(73) Assignee: **WABCO GmbH**, Hannover (DE)

(\*\*) Term: **14 Years**

(21) Appl. No.: **29/313,456**

(22) Filed: **Jan. 6, 2009**

(30) **Foreign Application Priority Data**

Jul. 10, 2008 (DE) ..... 40 2008 003 254

(51) **LOC (9) Cl.** ..... **12-16**

(52) **U.S. Cl.** ..... **D12/180**

(58) **Field of Classification Search** ..... D12/180,  
D12/179, 218; 188/18 A, 71.5, 170; 303/7,  
303/10, 20, 87, 113.5, 114.1, 119.2, 119.3,  
303/167; 192/12 R, 90, 105 BB; 92/62-64,  
92/80-82

See application file for complete search history.

(56) **References Cited**

**U.S. PATENT DOCUMENTS**

7,014,019 B2 \* 3/2006 Krug et al. .... 188/167  
D545,737 S \* 7/2007 Sherman ..... D12/180  
D546,252 S \* 7/2007 Belisle ..... D12/180  
7,343,847 B2 \* 3/2008 Scheckelhoff et al. .... 92/63  
D581,330 S \* 11/2008 Stender ..... D12/180  
D581,331 S \* 11/2008 Stender ..... D12/180

D584,666 S \* 1/2009 Stender ..... D12/180  
D586,272 S \* 2/2009 Schulz ..... D12/180  
7,506,573 B2 \* 3/2009 Scheckelhoff et al. .... 92/63  
7,556,128 B2 \* 7/2009 Mayberry et al. .... 188/71.5

**OTHER PUBLICATIONS**

(Registered Community Design No. 000786835 filed Sep. 10, 2007  
(U.S. Appl. No. 29/301,598, Marcus Schulz, filed Mar. 6, 2008).

\* cited by examiner

*Primary Examiner*—Melody N Brown

(74) *Attorney, Agent, or Firm*—Kramer Levin Naftalis &  
Frankel LLP

(57) **CLAIM**

The ornamental design for a clutch actuator, as shown.

**DESCRIPTION**

FIG. 1 is a perspective view of a clutch actuator showing the new design;

FIG. 2 is a top plan view thereof;

FIG. 3 is a front elevational view thereof;

FIG. 4 is a right side elevational view thereof;

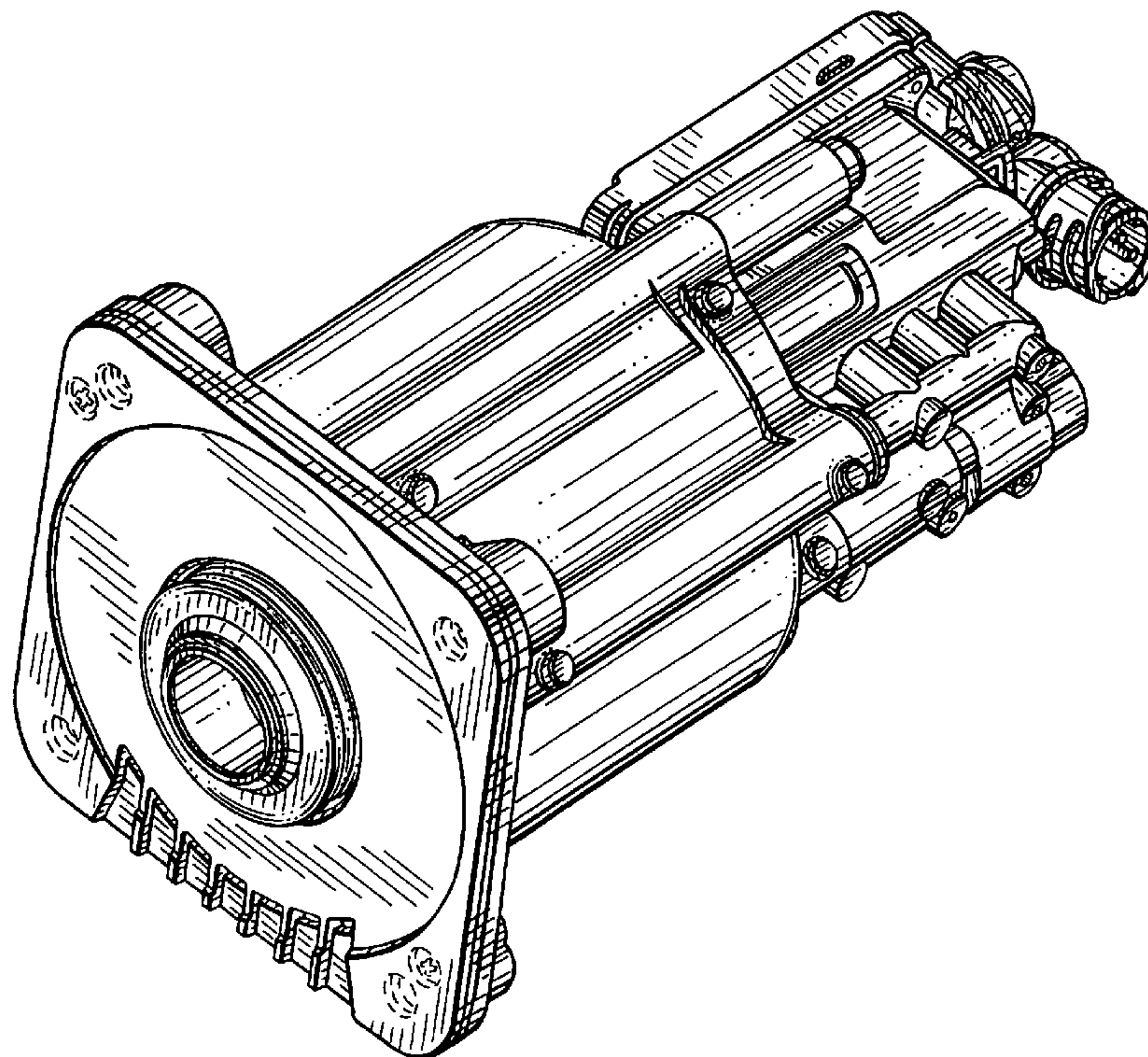
FIG. 5 is a left side elevational view thereof;

FIG. 6 is a rear elevational view thereof; and,

FIG. 7 is a bottom plan view thereof.

The portions of the design depicted in broken lines form no part of the claimed design.

**1 Claim, 7 Drawing Sheets**



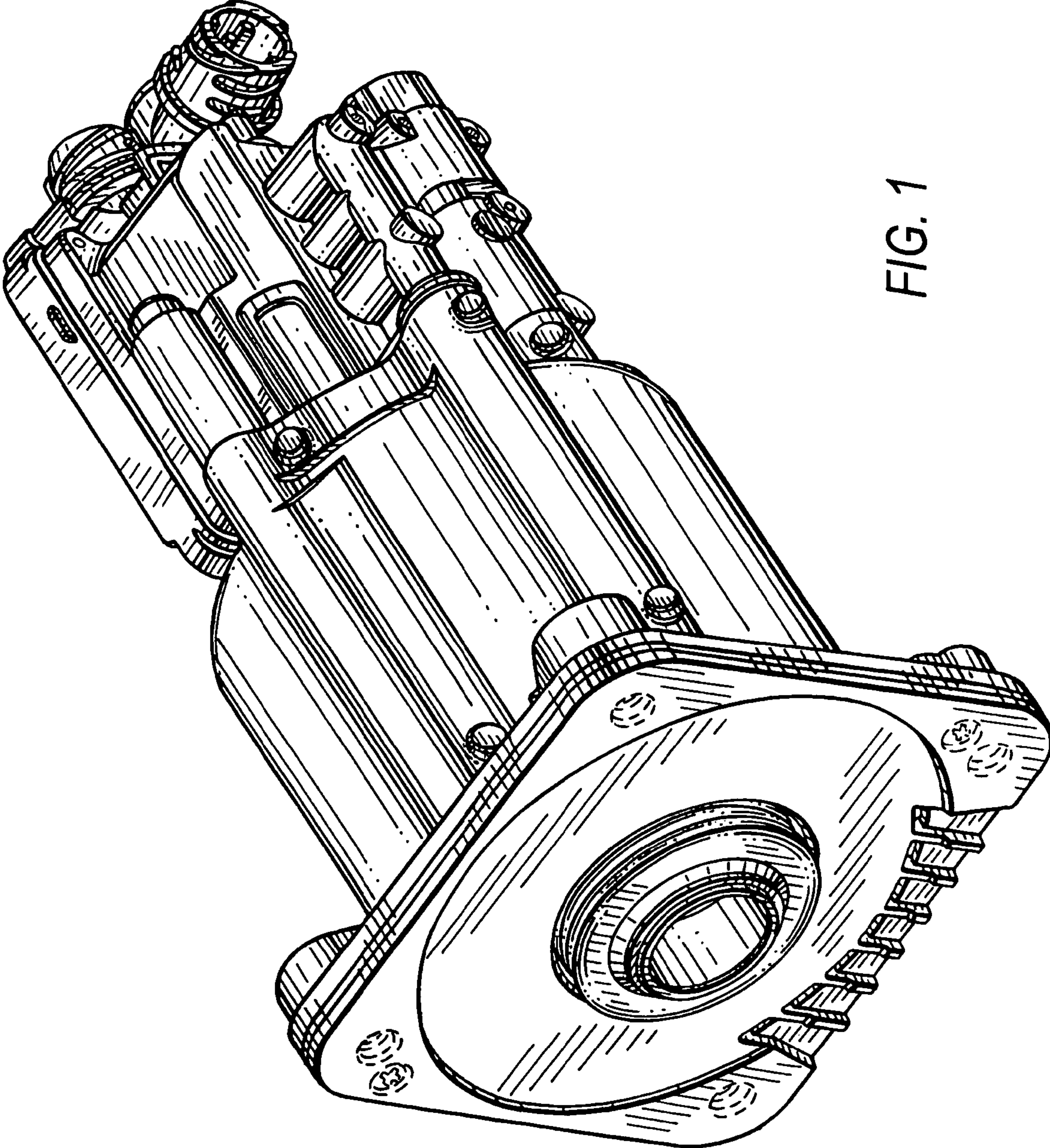
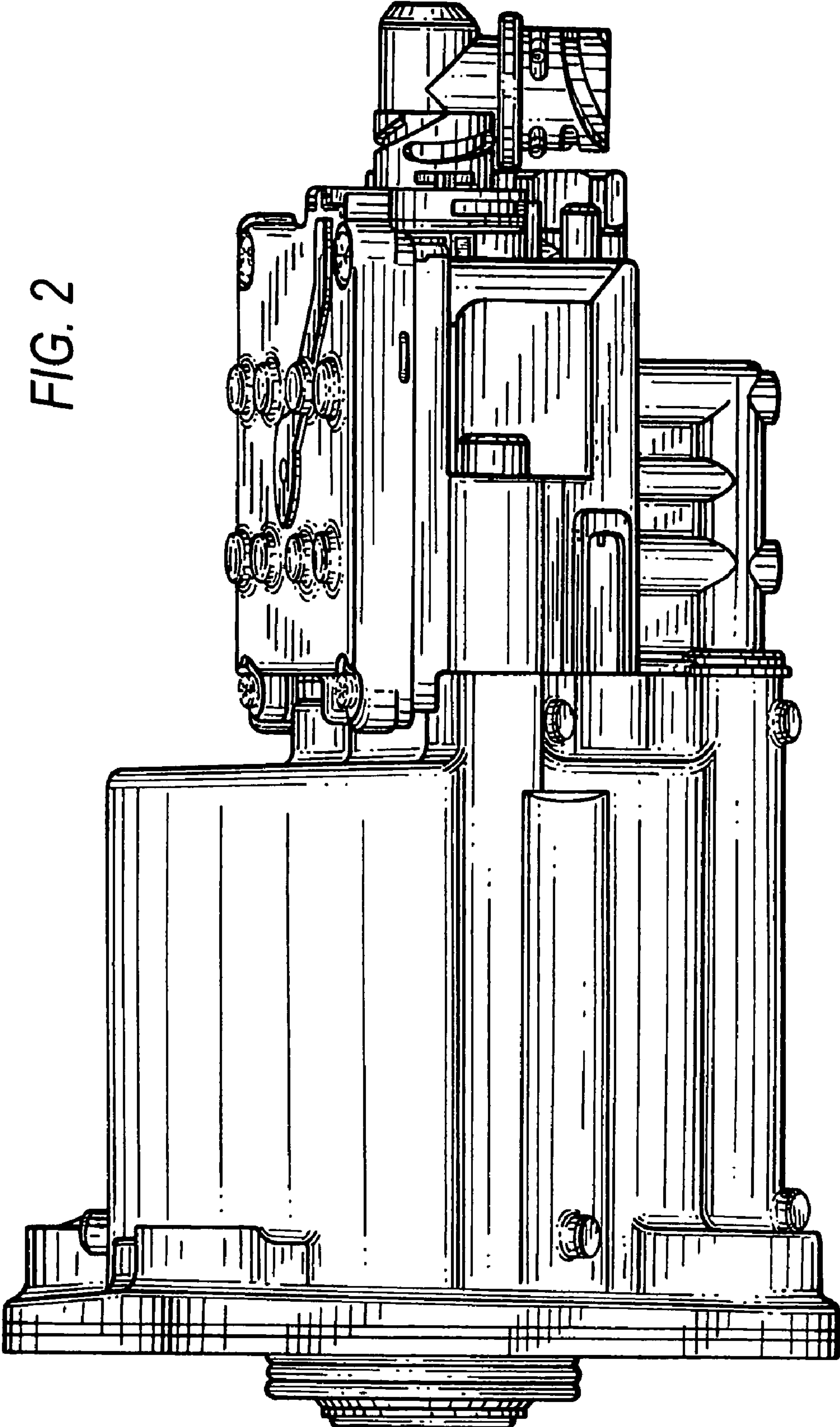


FIG. 1



FIG. 2



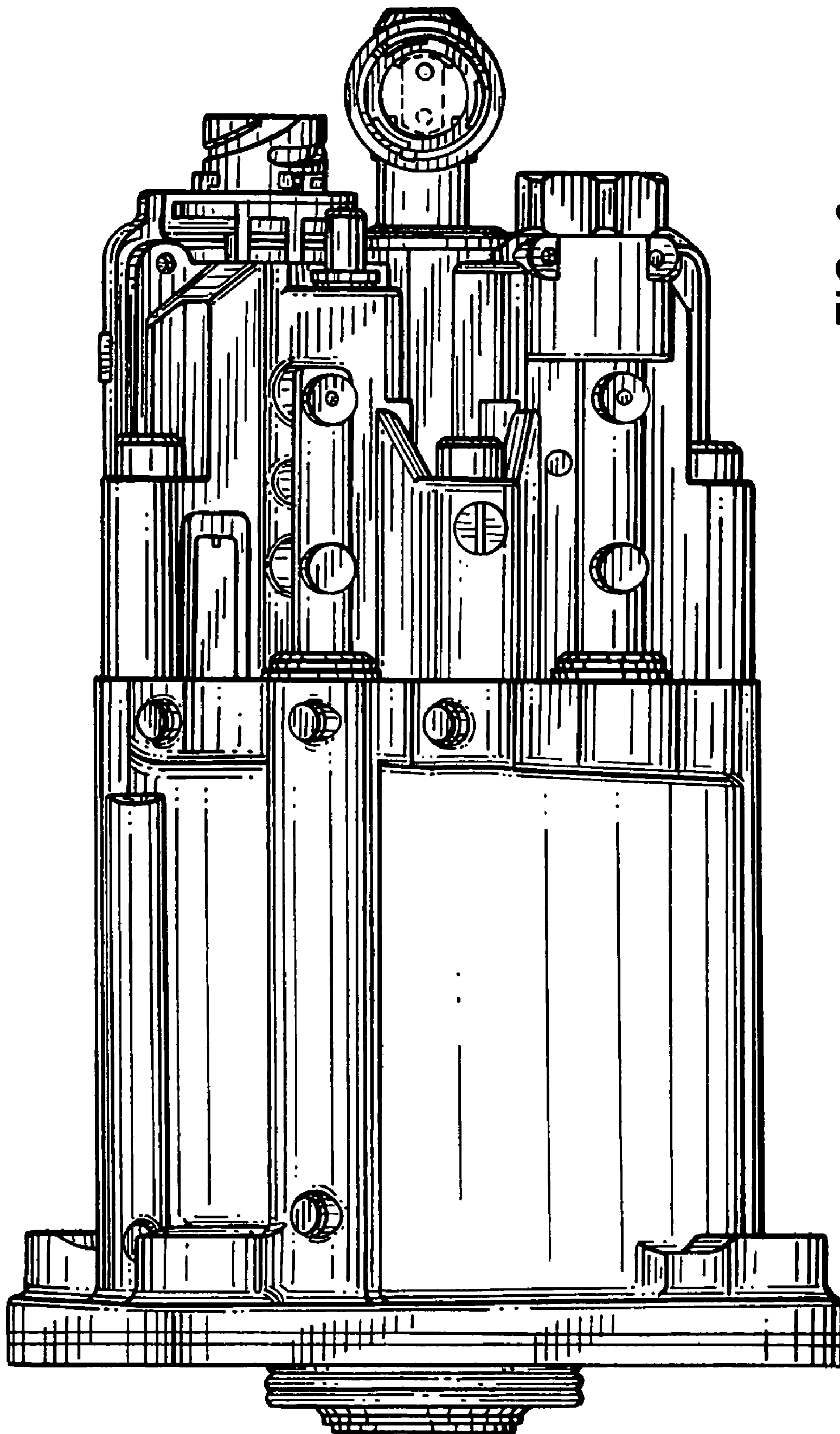


FIG. 3

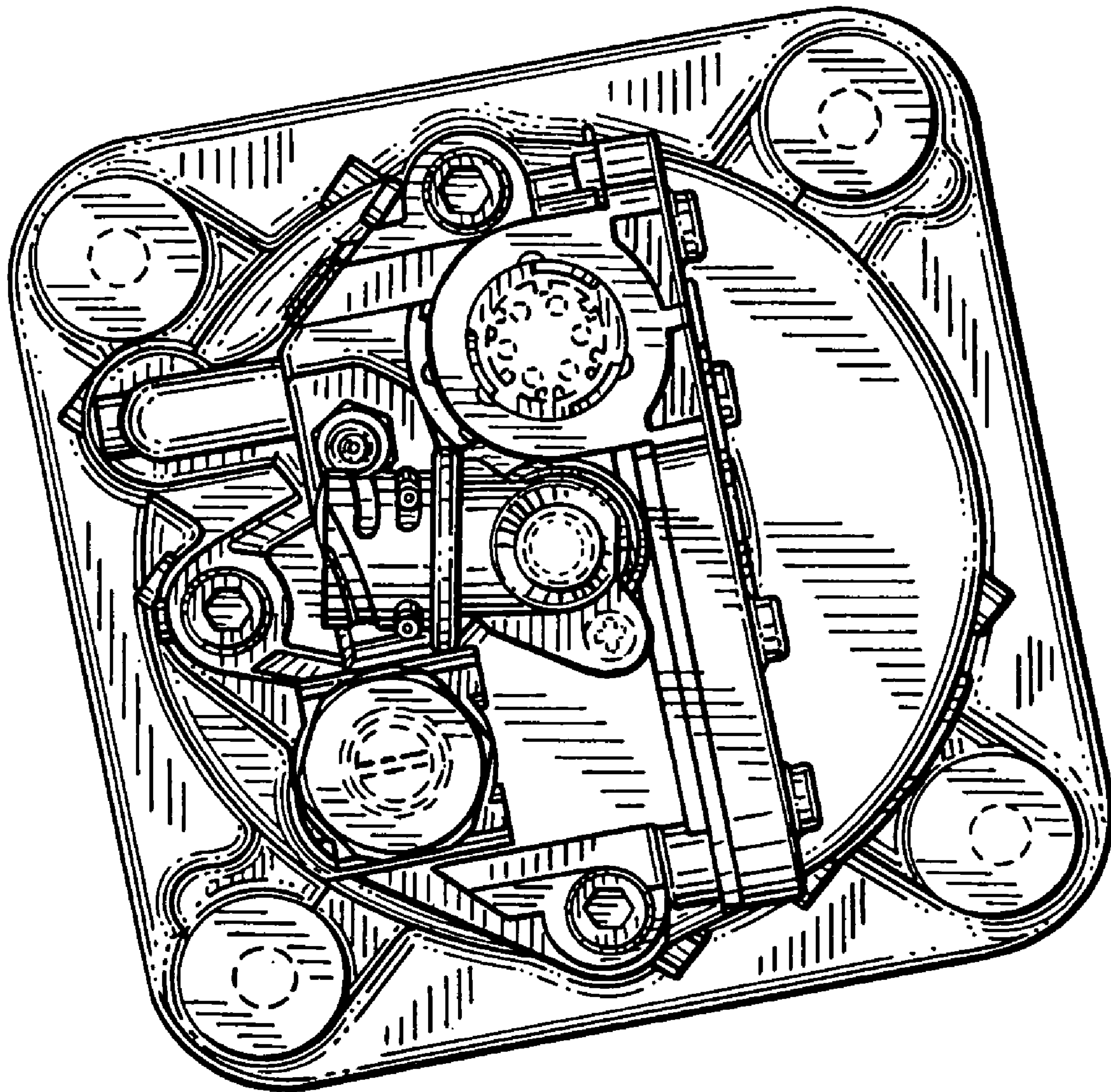


FIG. 4

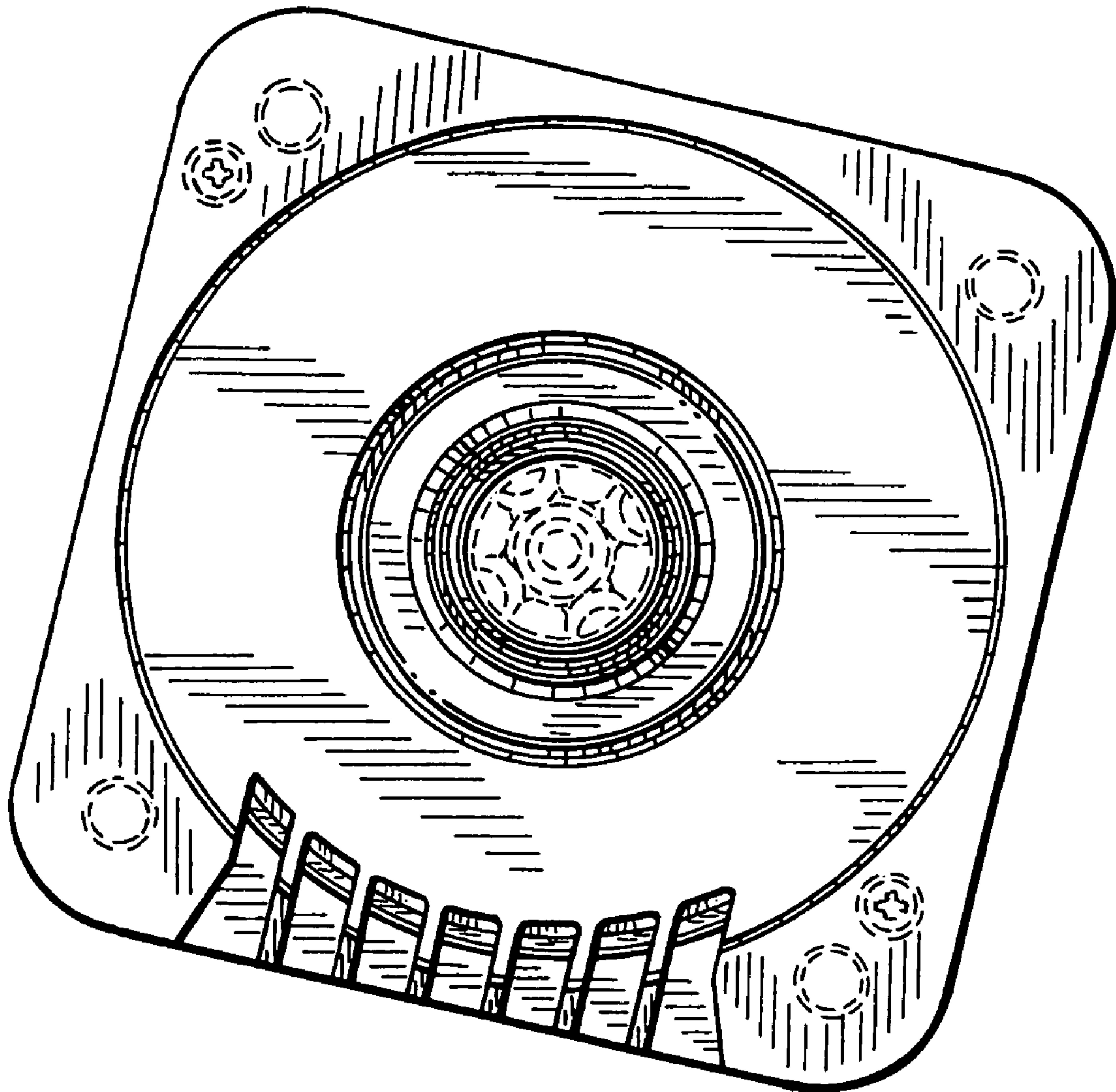


FIG. 5



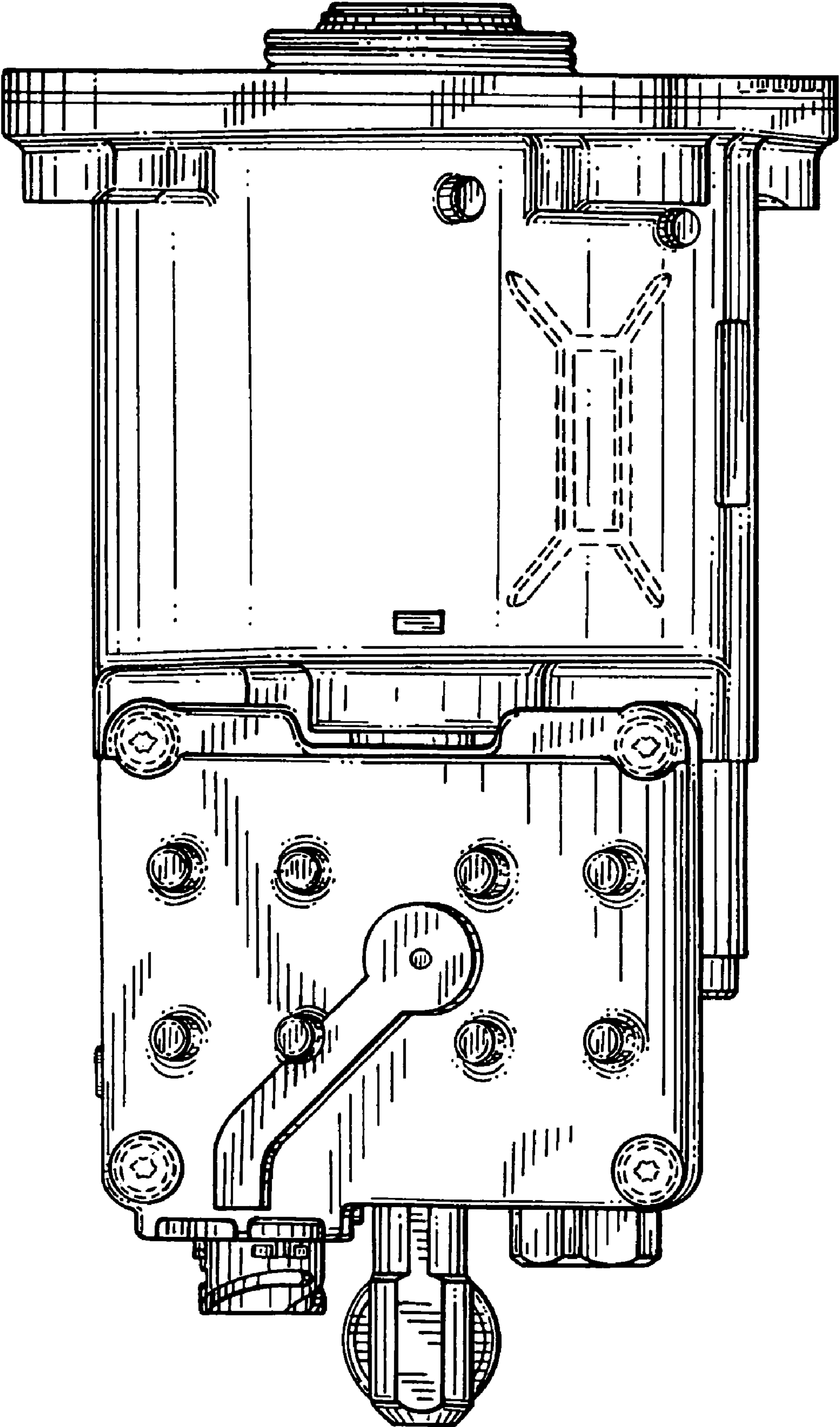


FIG. 6

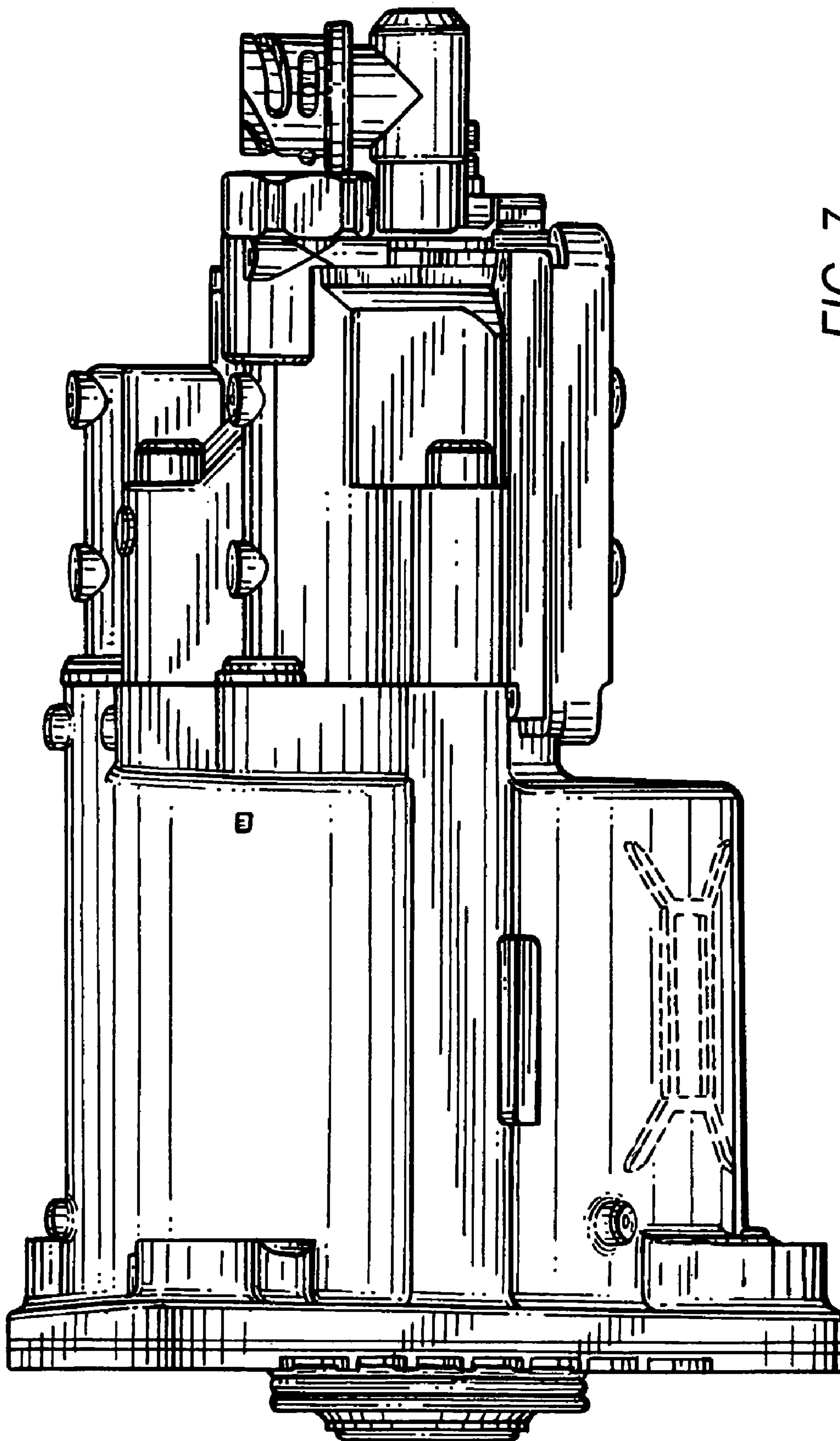


FIG. 7