



US00D600173S

(12) **United States Design Patent**  
**Jung et al.**

(10) **Patent No.:** **US D600,173 S**

(45) **Date of Patent:** **\*\* Sep. 15, 2009**

(54) **PORTION OF A VEHICLE EXTERIOR**

(75) Inventors: **Chi Jung**, Torrance, CA (US); **Satoru Kato**, Redondo Beach, CA (US)

(73) Assignee: **Honda Motor Co., Ltd.**, Tokyo (JP)

(\*\*) Term: **14 Years**

(21) Appl. No.: **29/326,533**

(22) Filed: **Oct. 20, 2008**

(51) **LOC (9) Cl.** ..... **12-16**

(52) **U.S. Cl.** ..... **D12/164; D12/196**

(58) **Field of Classification Search** ..... D12/164,  
D12/196, 90-92, 86; 296/181.1, 181.5  
See application file for complete search history.

(56) **References Cited**

U.S. PATENT DOCUMENTS

D507,515 S	*	7/2005	Hakamata et al.	.....	D12/196
D539,190 S		3/2007	Brown et al.		
D556,663 S	*	12/2007	Murkett et al.	.....	D12/196
D587,170 S	*	2/2009	Tokoro et al.	.....	D12/91

\* cited by examiner

*Primary Examiner*—Melody N Brown

(74) *Attorney, Agent, or Firm*—Plumsea Law Group, LLC; Mark E. Duell

(57) **CLAIM**

The ornamental design for a portion of a vehicle exterior, as shown and described.

**DESCRIPTION**

FIG. 1 is a rear perspective view of a portion of a vehicle exterior showing our new design;

FIG. 2 is a frontal perspective view thereof;

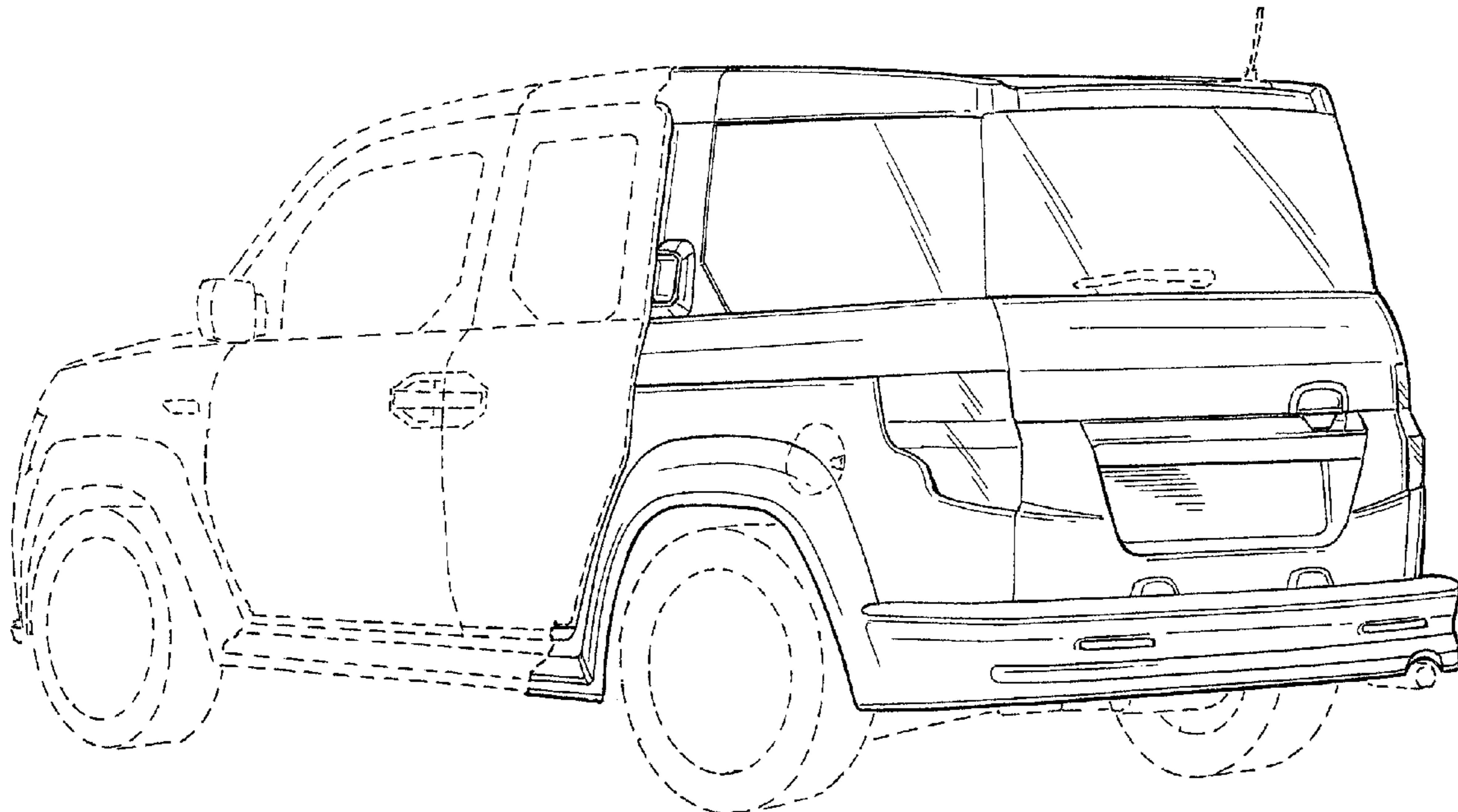
FIG. 3 is a side elevational view thereof;

FIG. 4 is a side elevational view of the other side thereof; and,

FIG. 5 is a rear elevational view thereof.

The wavy broken line adjacent the rear door seam along the roofline and the running board depict a boundary of claimed design. The broken line showings of the fuel cap, wiper, small circles and antenna within the claim boundary, and the remainder of the vehicle outside of the claim boundary depict environmental subject matter and form no part of the claimed design.

**1 Claim, 5 Drawing Sheets**



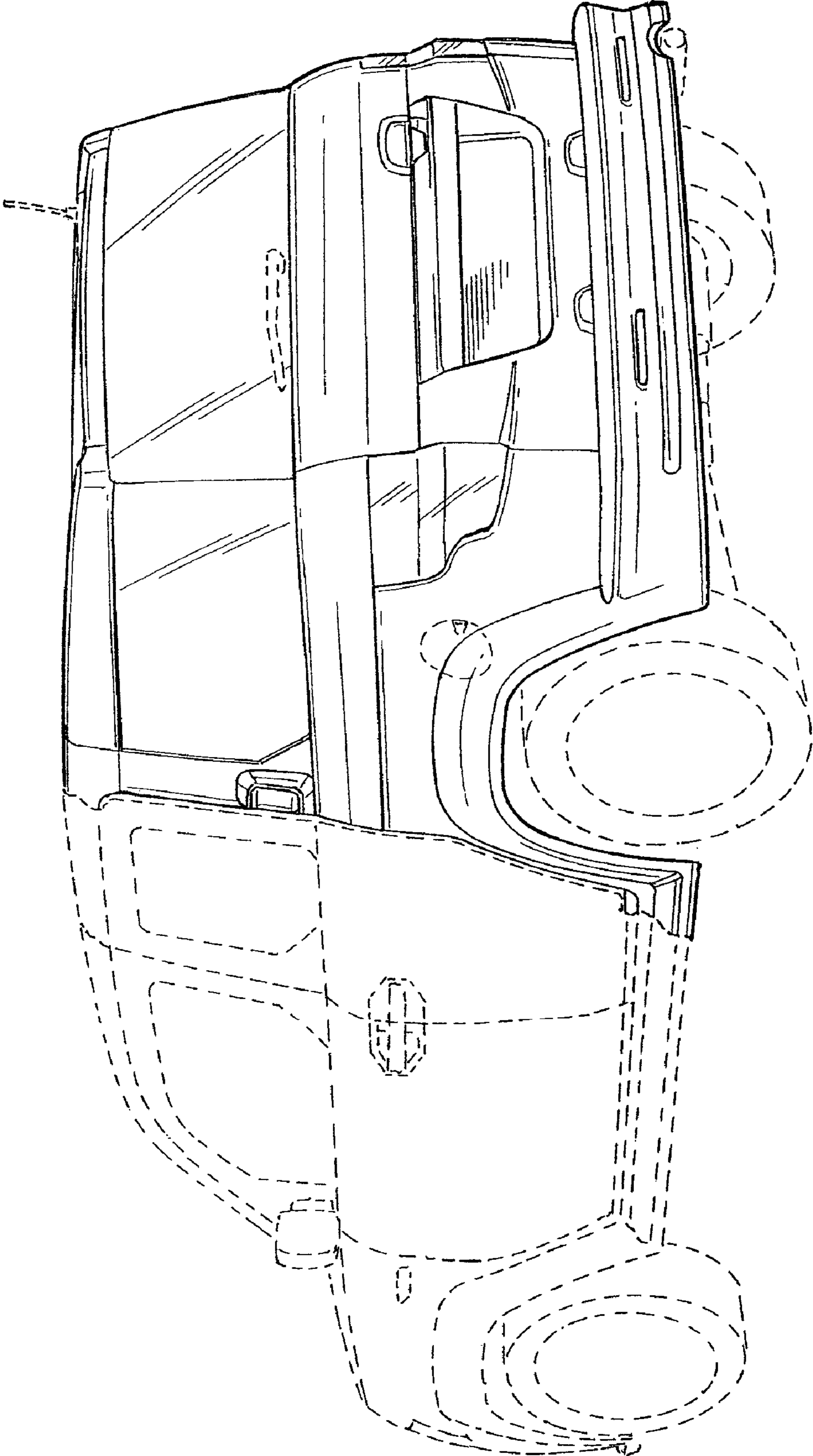


FIG.1

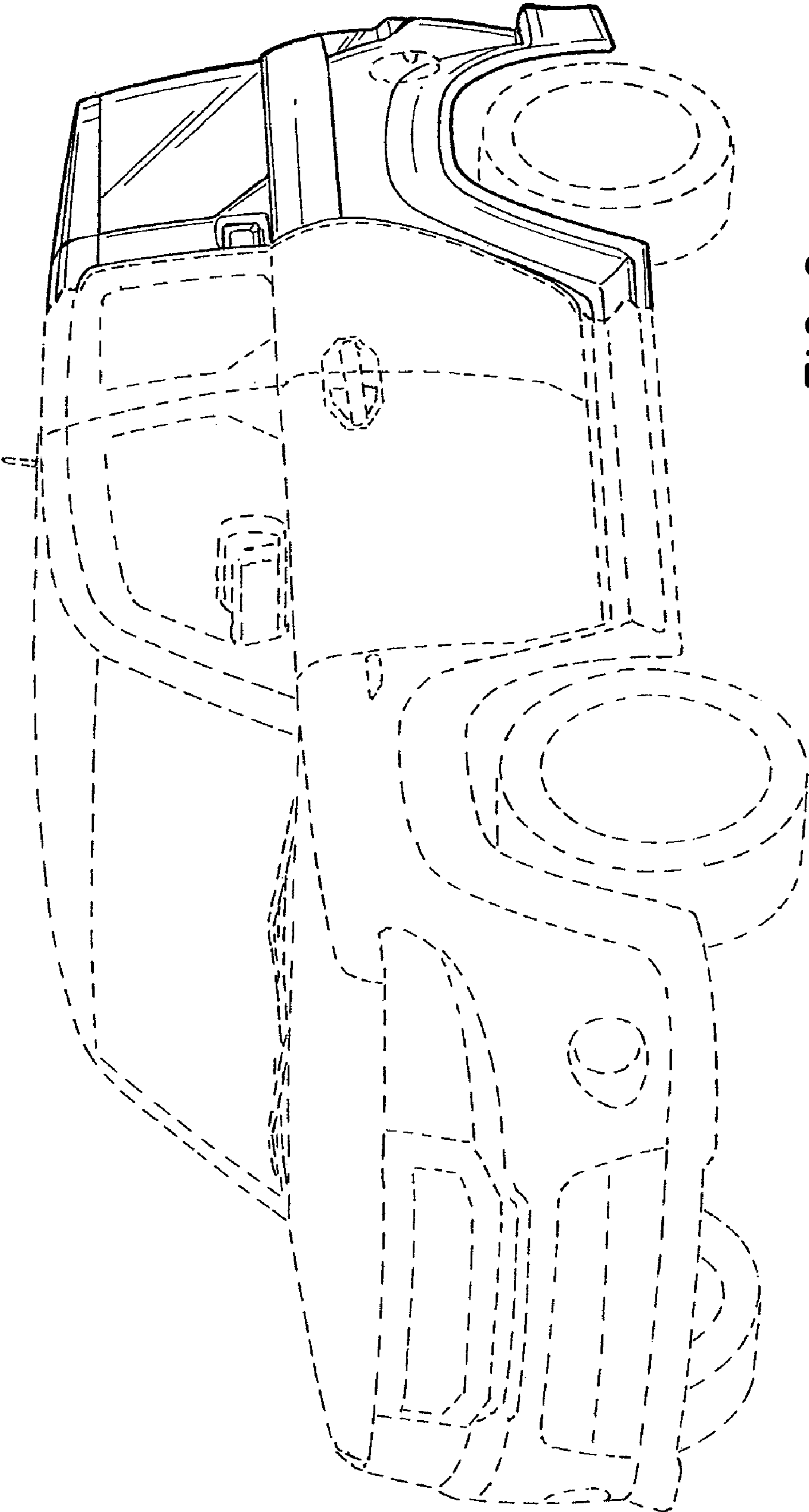


FIG. 2

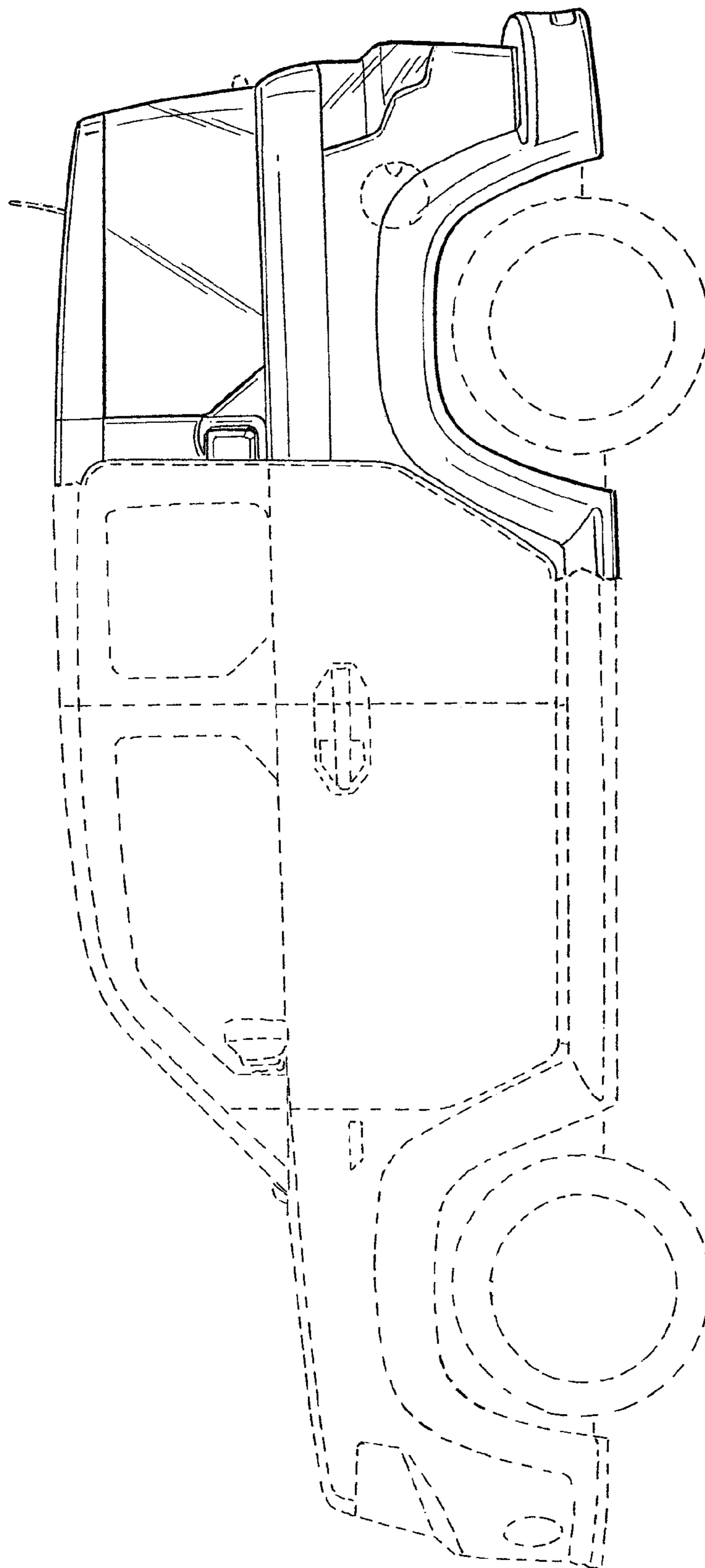


FIG. 3

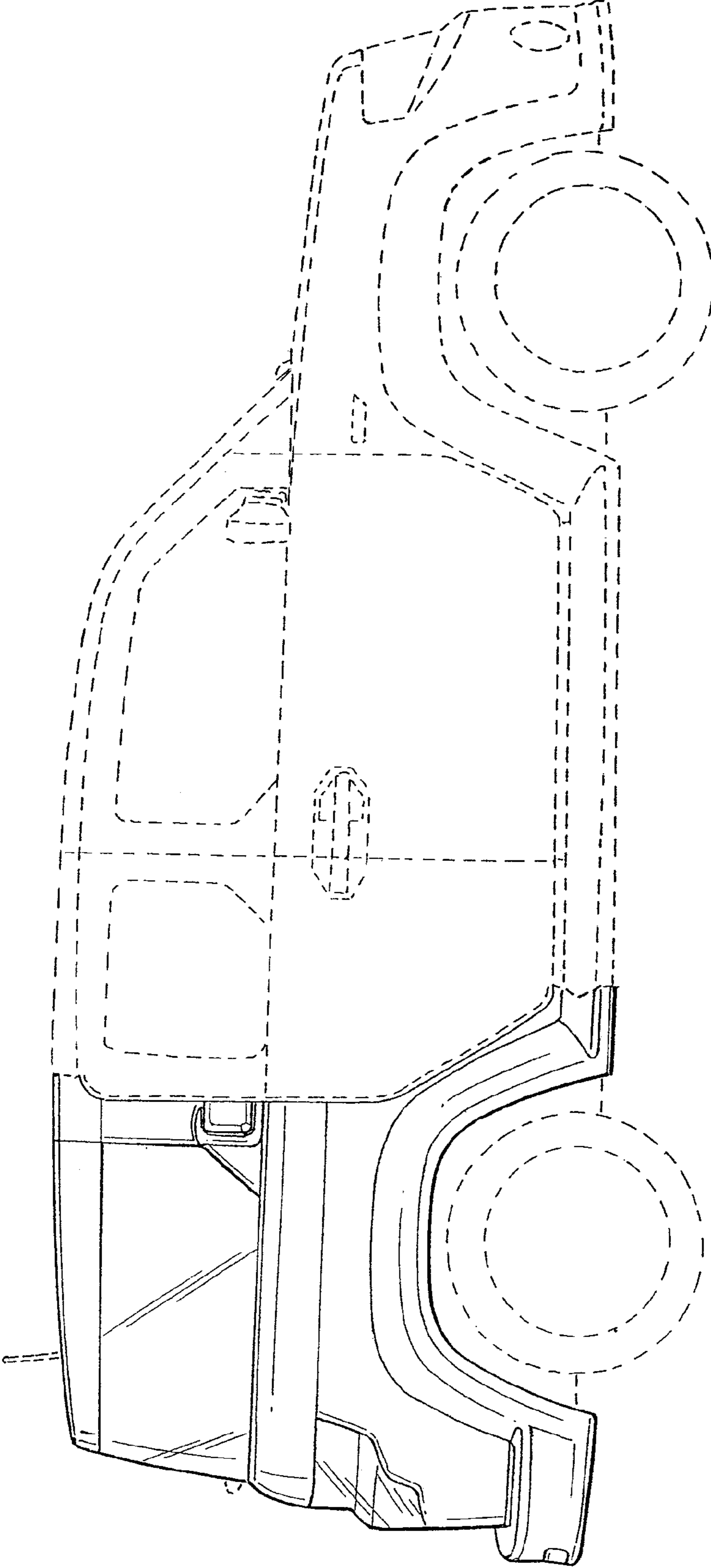


FIG. 4

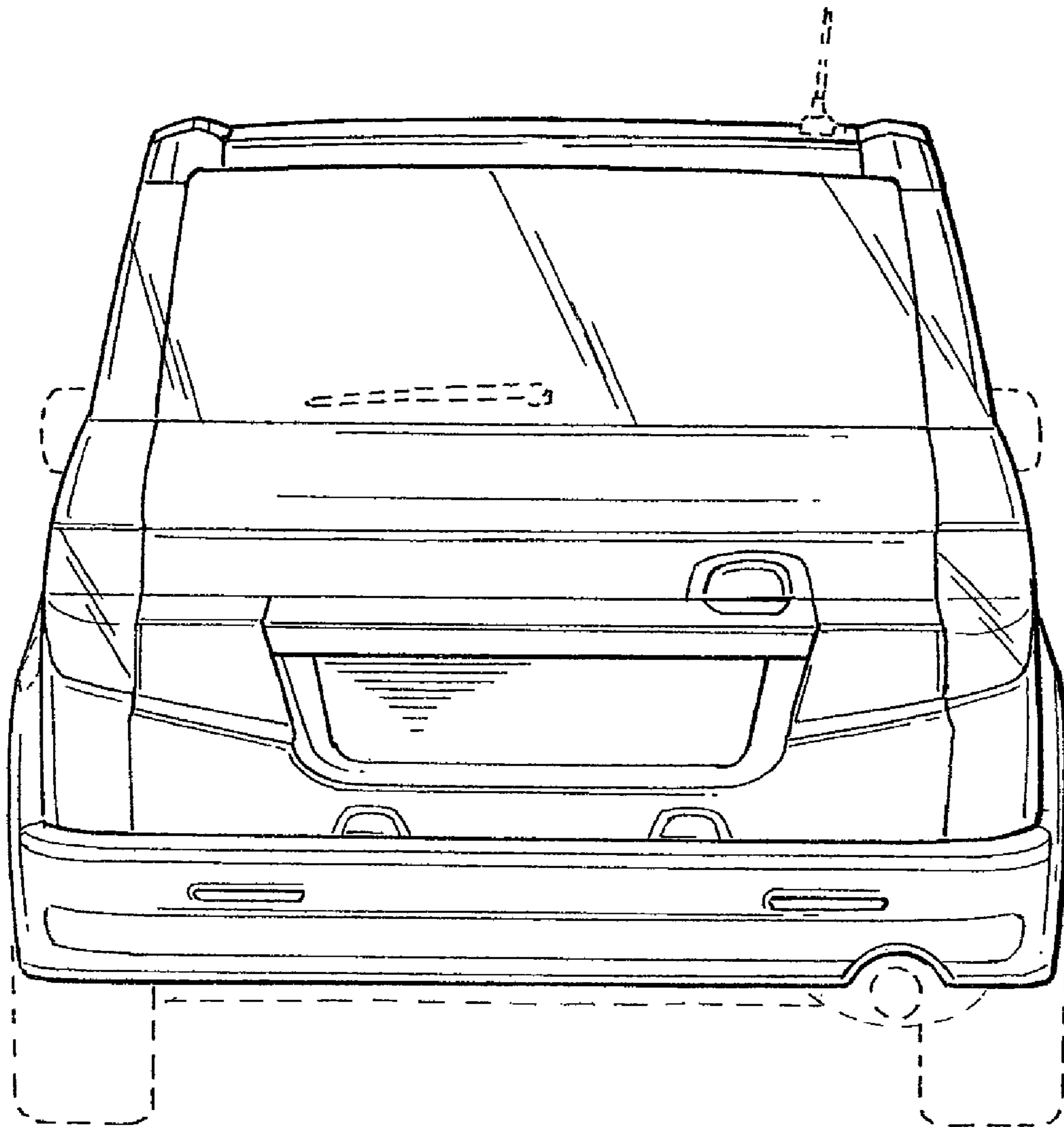


FIG. 5