

US00D600169S

(12) **United States Design Patent**
Chiu

(10) **Patent No.:** **US D600,169 S**

(45) **Date of Patent:** **** Sep. 15, 2009**

(54) **ELECTRIC WHEELCHAIR SHELL**

(75) Inventor: **Chien-Liang Chiu**, Hsinchu (TW)

(73) Assignee: **Wu's Tech Co., Ltd.**, Hsinchu (TW)

(**) Term: **14 Years**

(21) Appl. No.: **29/324,574**

(22) Filed: **Sep. 15, 2008**

(51) **LOC (9) Cl.** **12-12**

(52) **U.S. Cl.** **D12/133**

(58) **Field of Classification Search** D12/128-133;
D21/433; D34/12, 27, 30; 280/62, 647-650,
280/29, 200, 47.38, 250.1, 259, 642, 658;
296/65.03, 65.04; 297/DIG. 4; 135/65-67,
135/74

See application file for complete search history.

(56) **References Cited**

U.S. PATENT DOCUMENTS

D294,476	S	*	3/1988	Michel et al.	D12/133
D305,521	S	*	1/1990	Wiatrak et al.	D12/133
D428,833	S	*	8/2000	Chuang	D12/133
D540,221	S	*	4/2007	Cartellone et al.	D12/133
D561,066	S	*	2/2008	Cheng	D12/133
D564,421	S	*	3/2008	McKenna	D12/133

* cited by examiner

Primary Examiner—Charles A Rademaker

Assistant Examiner—Charles D Hanson

(74) *Attorney, Agent, or Firm*—Egbert Law Offices PLLC

(57) **CLAIM**

The ornamental design for an electric wheelchair shell, as shown and described.

DESCRIPTION

FIG. 1 is an upper perspective view of the electric wheelchair shell showing my design.

FIG. 2 is a front view thereof;

FIG. 3 is a back view thereof;

FIG. 4 is a side view thereof;

FIG. 5 is an opposite side view thereof;

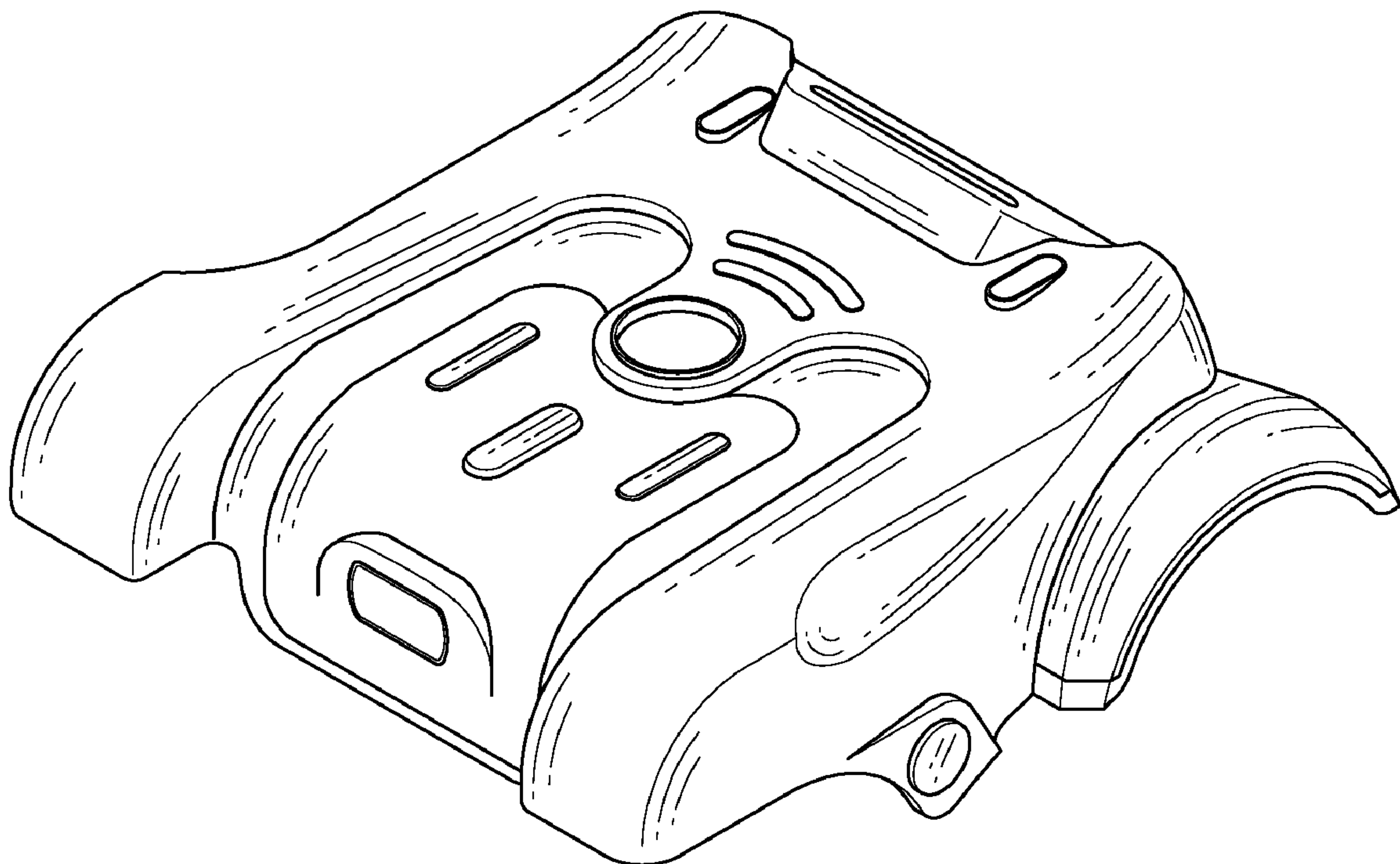
FIG. 6 is top view thereof;

FIG. 7 is a bottom view thereof; and,

FIG. 8 is another perspective view thereof, showing placement on a wheelchair.

The electric wheelchair shell covers the bottom of a wheelchair as illustrated in broken lines in FIG. 8. The broken lines are for illustrative purposes only and form no part of the claimed design.

1 Claim, 5 Drawing Sheets



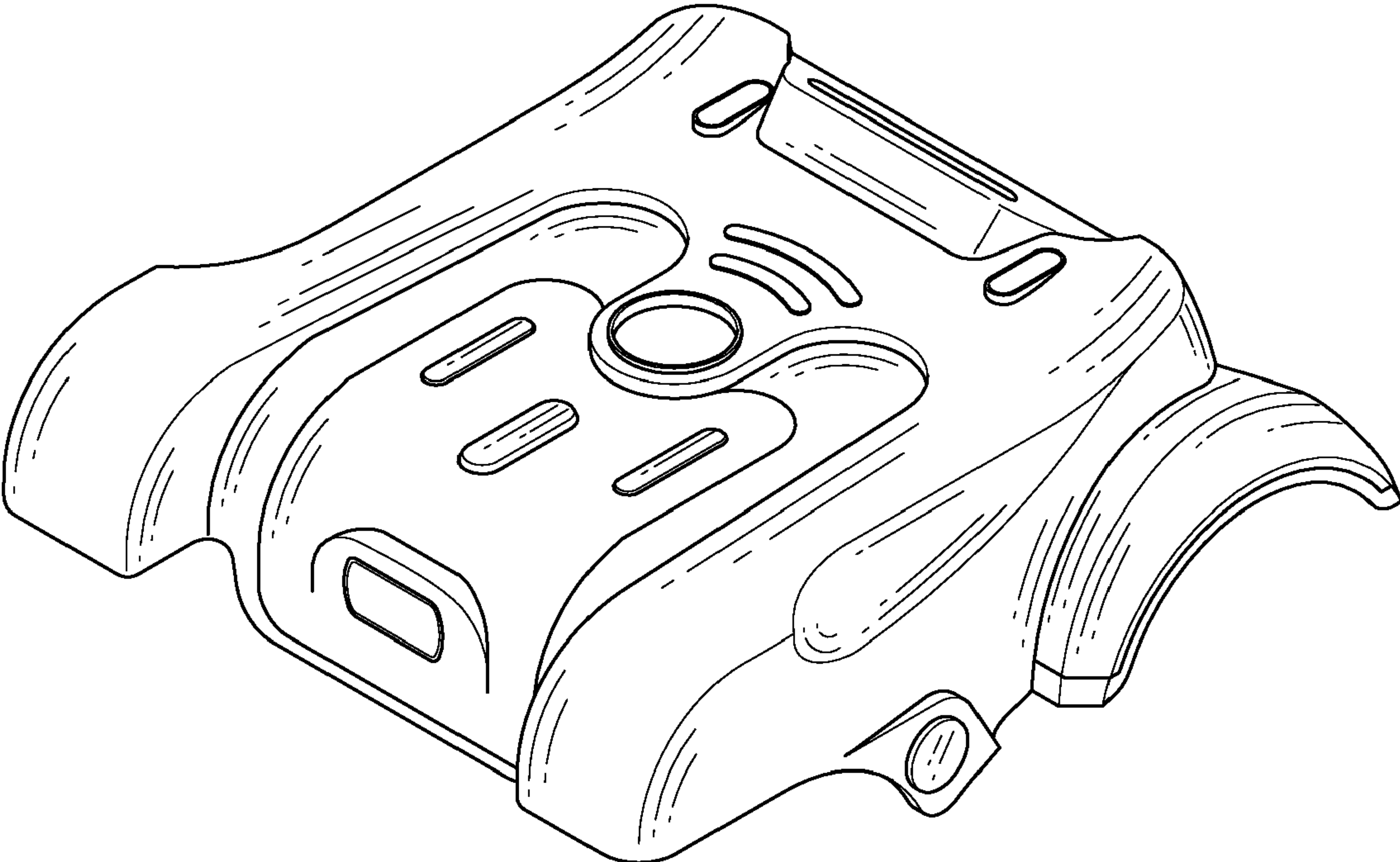


FIG.1

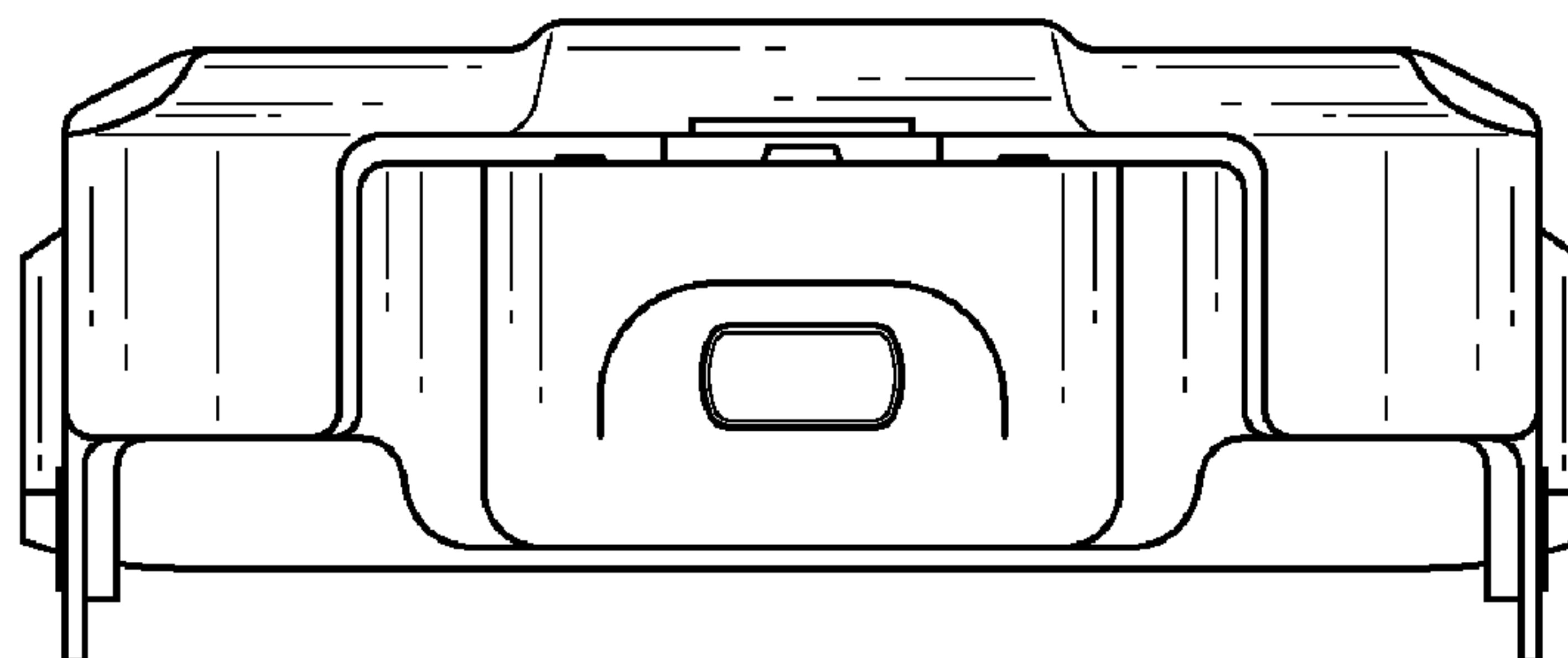


FIG. 2

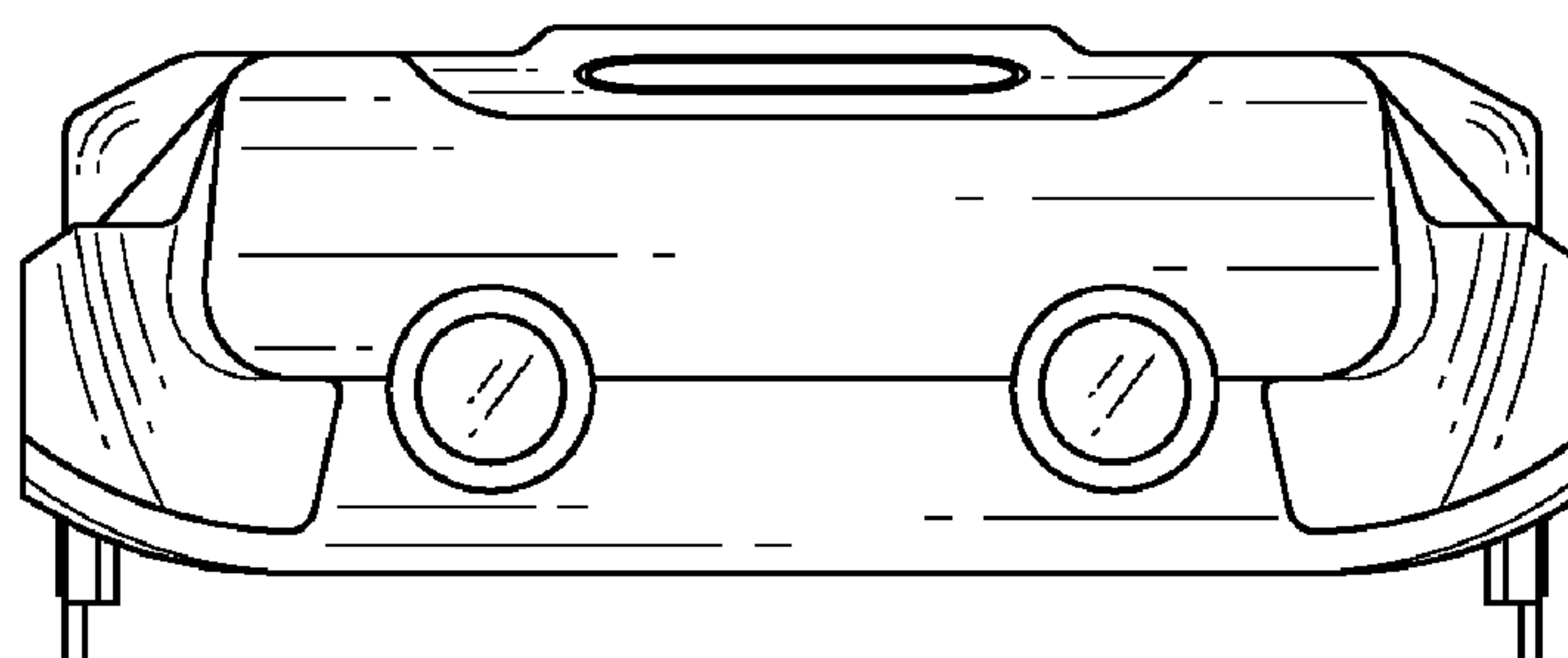


FIG. 3

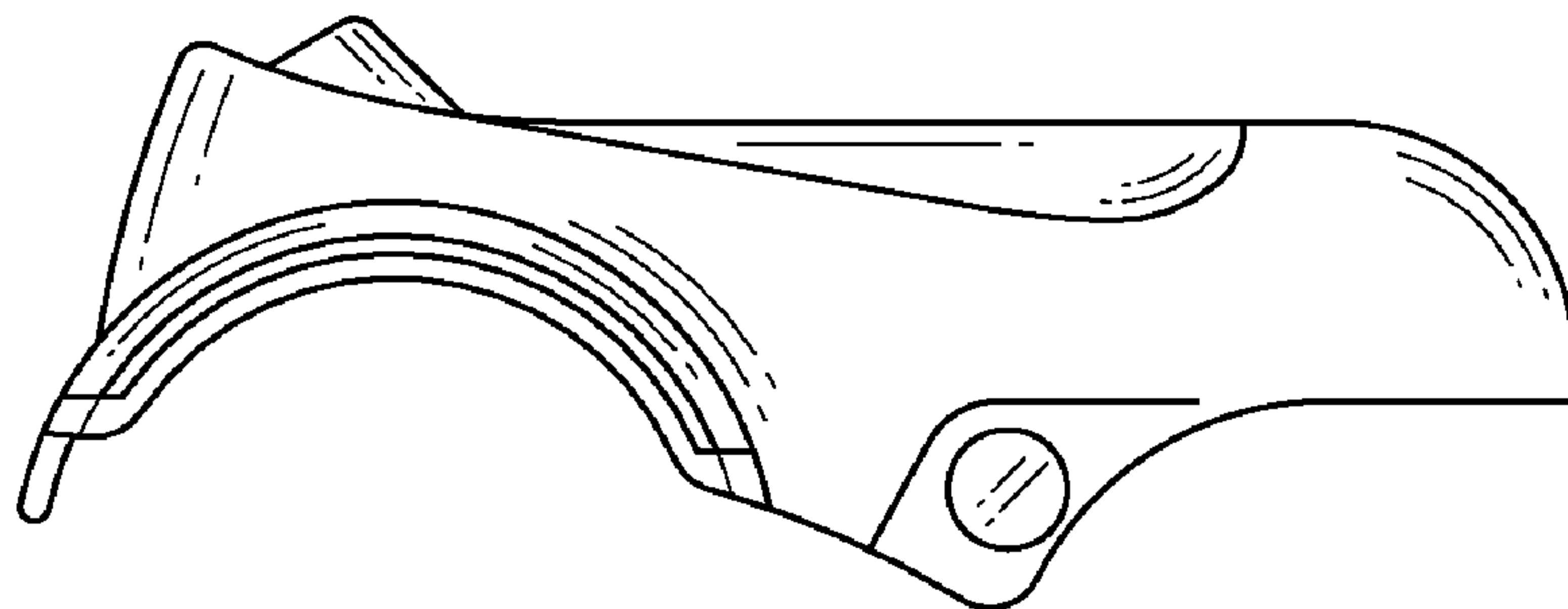


FIG. 4

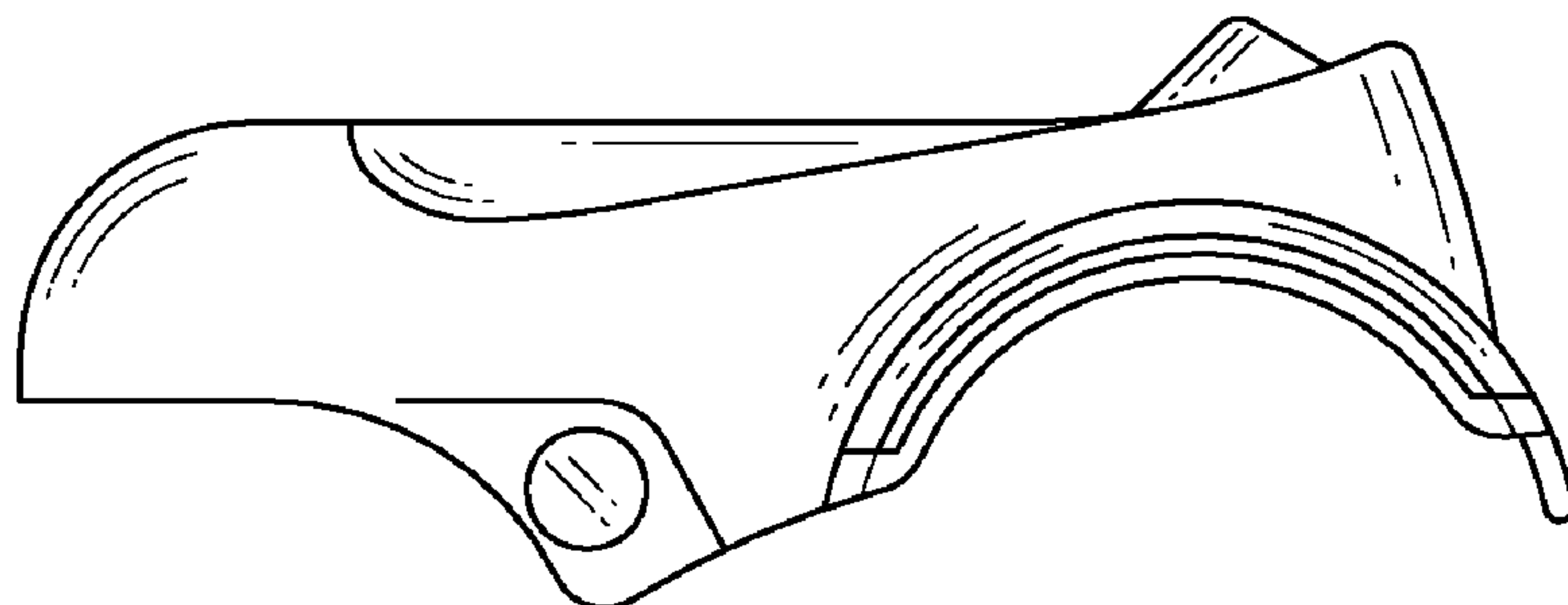


FIG. 5

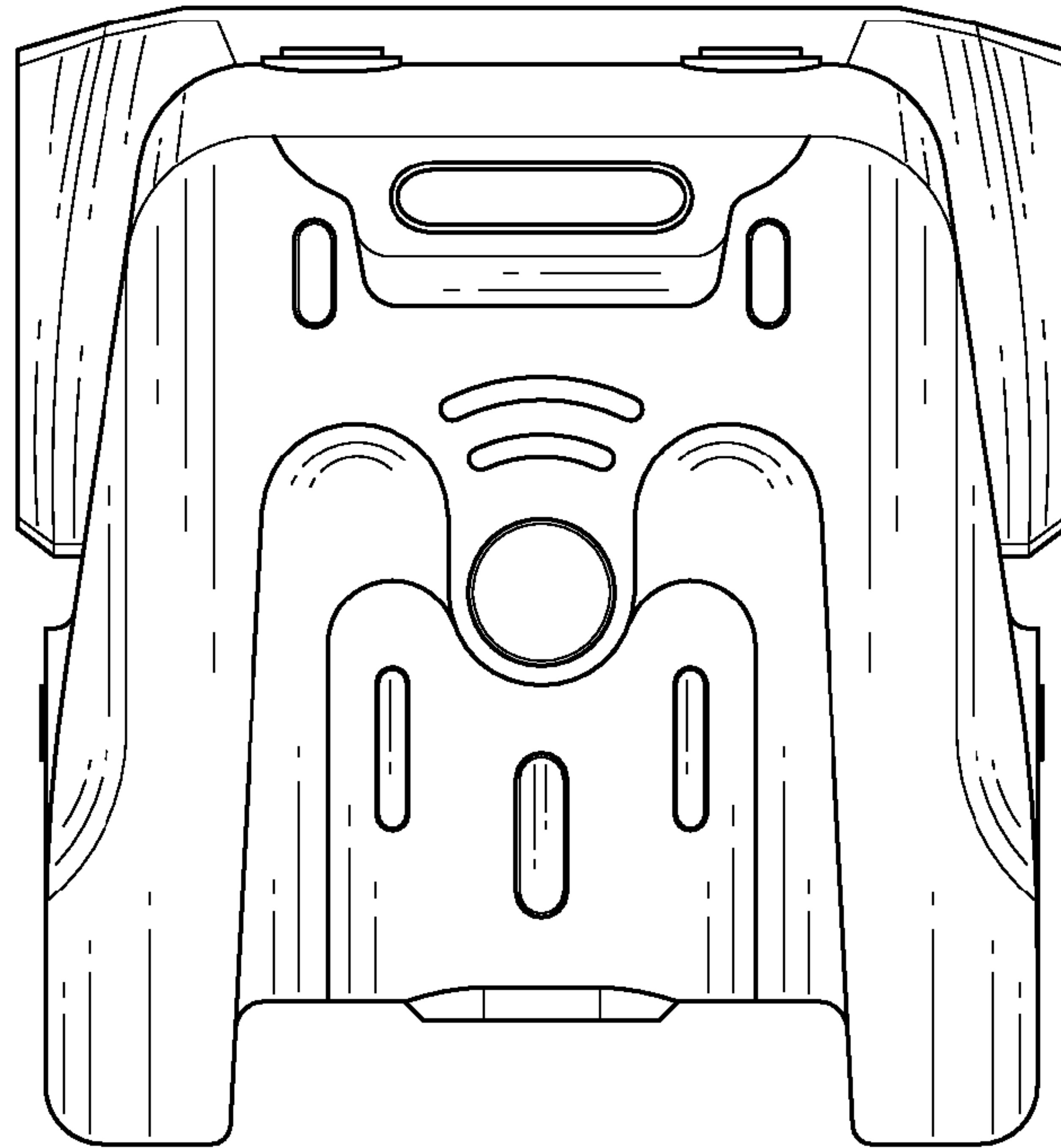


FIG. 6

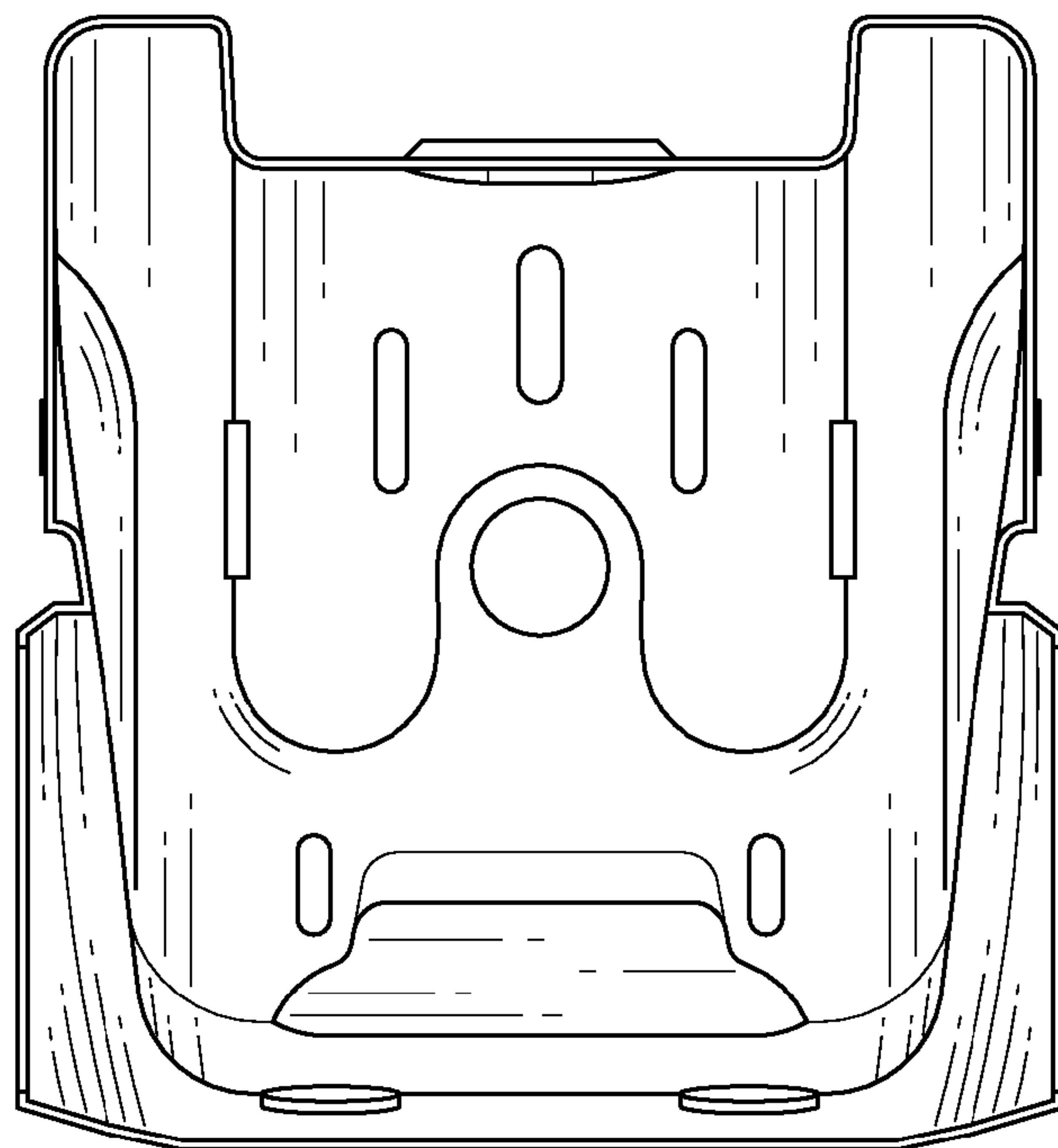


FIG. 7

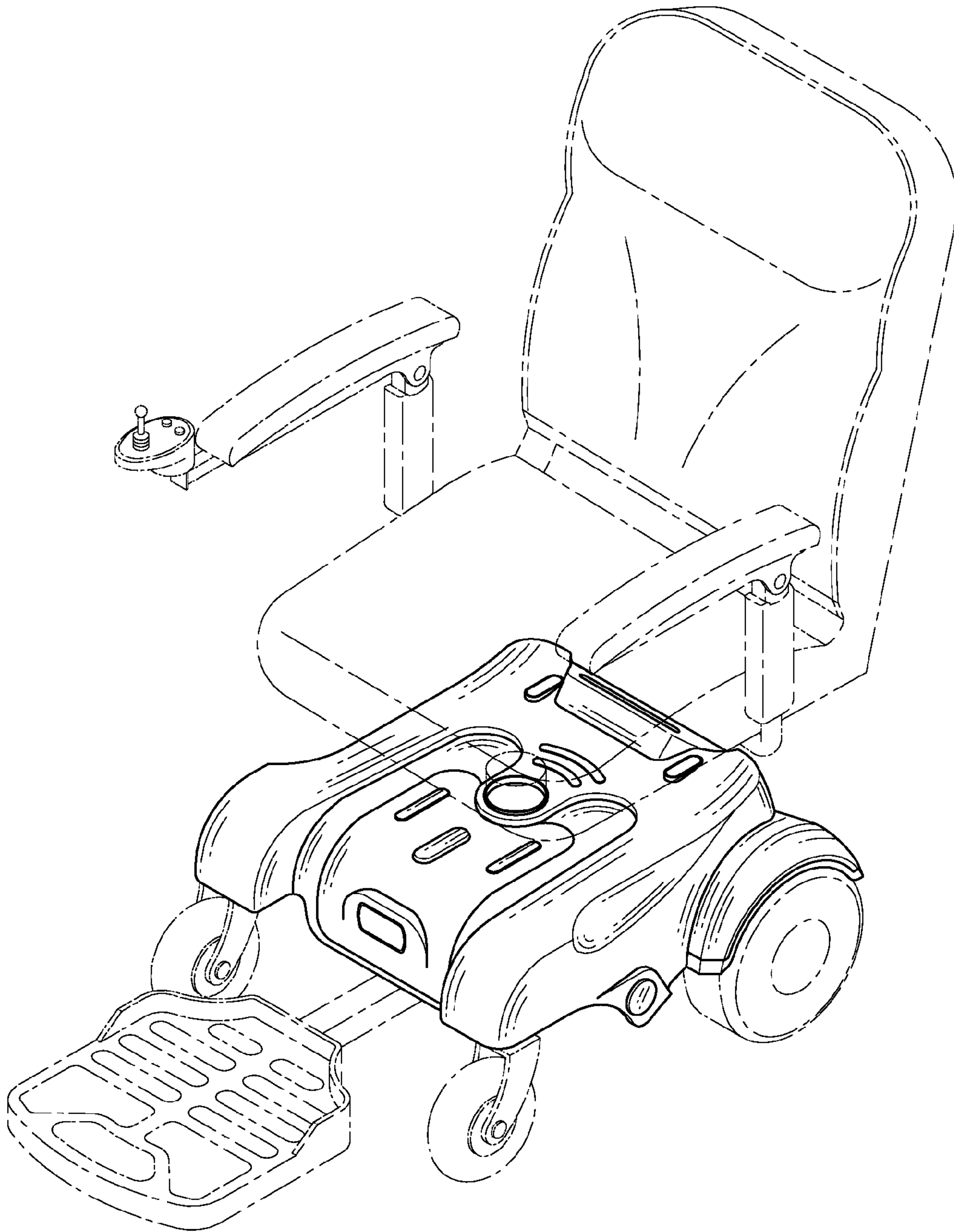


FIG. 8