



US00D600167S

(12) **United States Design Patent**
Maguire et al.

(10) **Patent No.:** **US D600,167 S**

(45) **Date of Patent:** **** Sep. 15, 2009**

(54) **CARRIER HOUSING**

(75) Inventors: **Andrew P. Maguire**, West Bloomfield, MI (US); **Chane Myers**, Maumee, OH (US); **Harold W. Seeds**, Waterford, MI (US); **Manoj V. Bhandiwad**, White Lake, MI (US)

(73) Assignee: **American Axle & Manufacturing, Inc.**, Detroit, MI (US)

(**) Term: **14 Years**

(21) Appl. No.: **29/295,375**

(22) Filed: **Sep. 27, 2007**

(51) **LOC (9) Cl.** **12-11**

(52) **U.S. Cl.** **D12/126**

(58) **Field of Classification Search** D12/110, D12/114, 126, 117, 159, 160; 301/137, 124.1, 301/125; 280/124.11, 124.156, 93.51, 124.116, 280/124.127, 124.13, 124.12, 124.111, 124.175, 280/124.178; 180/378-380, 219; 74/606 R, 74/607; D15/148, 199

See application file for complete search history.

(56) **References Cited**

U.S. PATENT DOCUMENTS

1,950,034	A *	3/1934	Mulford et al.	475/160
1,991,618	A *	2/1935	Lyman	184/104.3
3,041,890	A *	7/1962	O'Brien	74/607
3,171,293	A *	3/1965	Robinson	74/373
3,817,354	A *	6/1974	Meiners	184/104.3
5,058,456	A *	10/1991	Manrique et al.	74/606 R
D327,280	S *	6/1992	Macomber	D15/148
D346,781	S *	5/1994	Homme	D12/159

D352,275	S *	11/1994	Crawley	D13/162
D424,988	S *	5/2000	Rothlisberger	D12/160
6,086,162	A *	7/2000	Pinch et al.	301/124.1
7,377,598	B2 *	5/2008	Doud et al.	301/137
2005/0184579	A1 *	8/2005	Bryant et al.	301/63.105

* cited by examiner

Primary Examiner—Cathron C Brooks

Assistant Examiner—Linda Brooks

(74) *Attorney, Agent, or Firm*—Harness, Dickey & Pierce, P.L.C.

(57) **CLAIM**

The ornamental design for a carrier housing, as shown and described.

DESCRIPTION

FIG. 1 is a rear elevation view of the carrier housing of the present invention;

FIG. 2 is a front elevation view of the carrier housing of the present invention;

FIG. 3 is a right side elevation view of the carrier housing of the present invention;

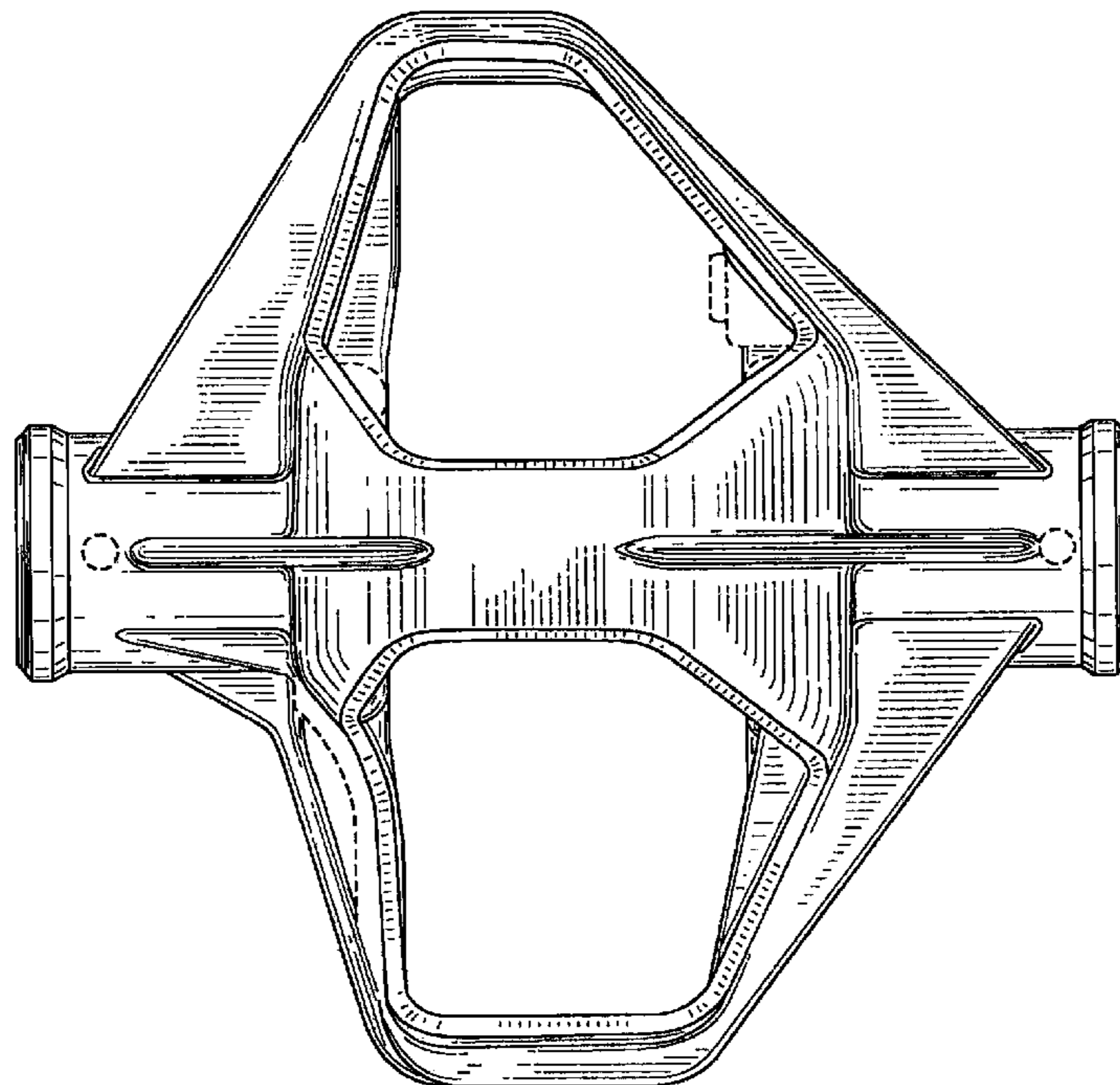
FIG. 4 is a left side elevation view of the carrier housing of the present invention;

FIG. 5 is a top plan view of the carrier housing of the present invention; and,

FIG. 6 is a bottom plan view of the carrier housing of the present invention.

The portions of the carrier housing shown in broken lines form no part of the claimed design.

1 Claim, 5 Drawing Sheets



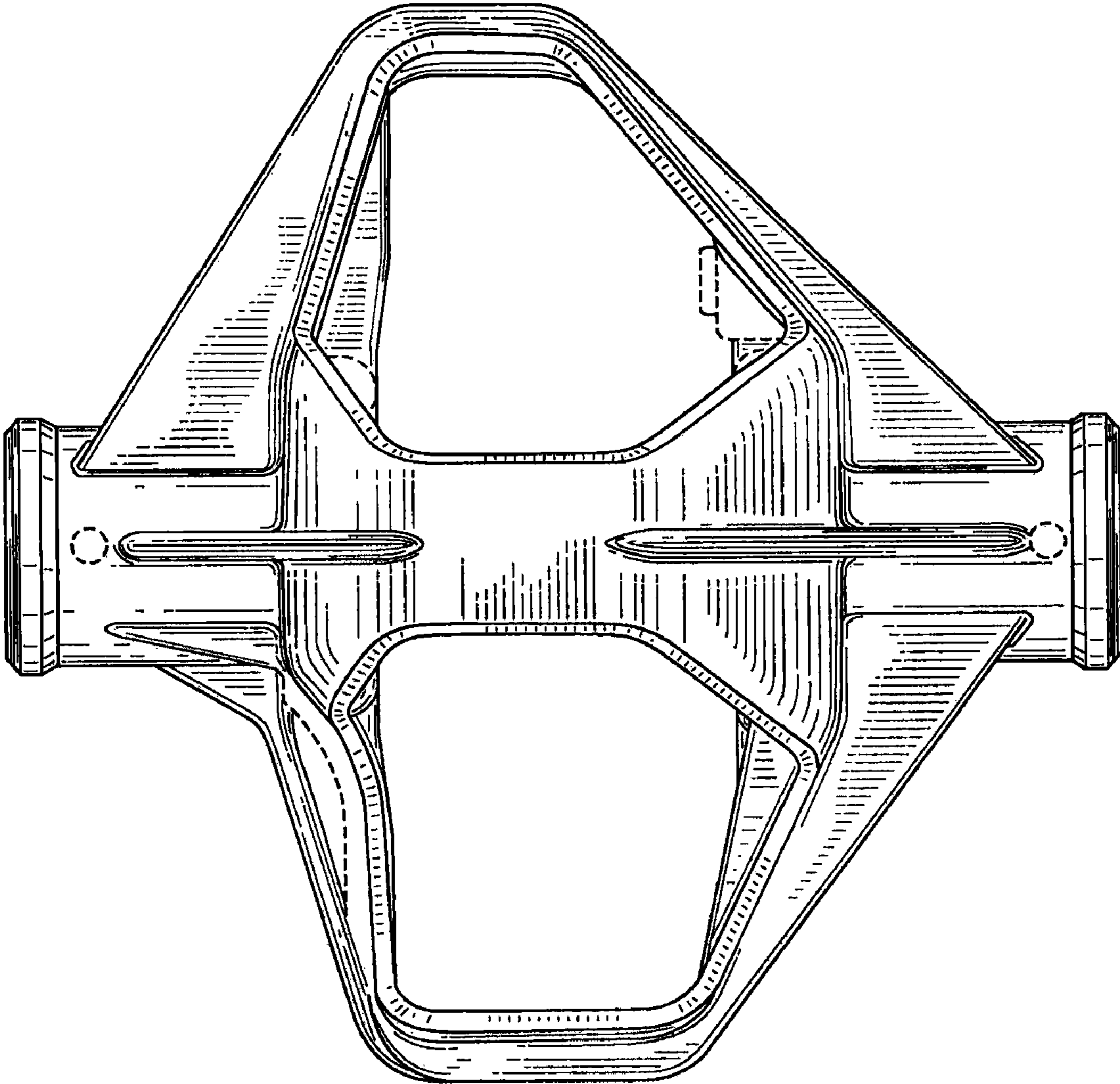


FIG. 1

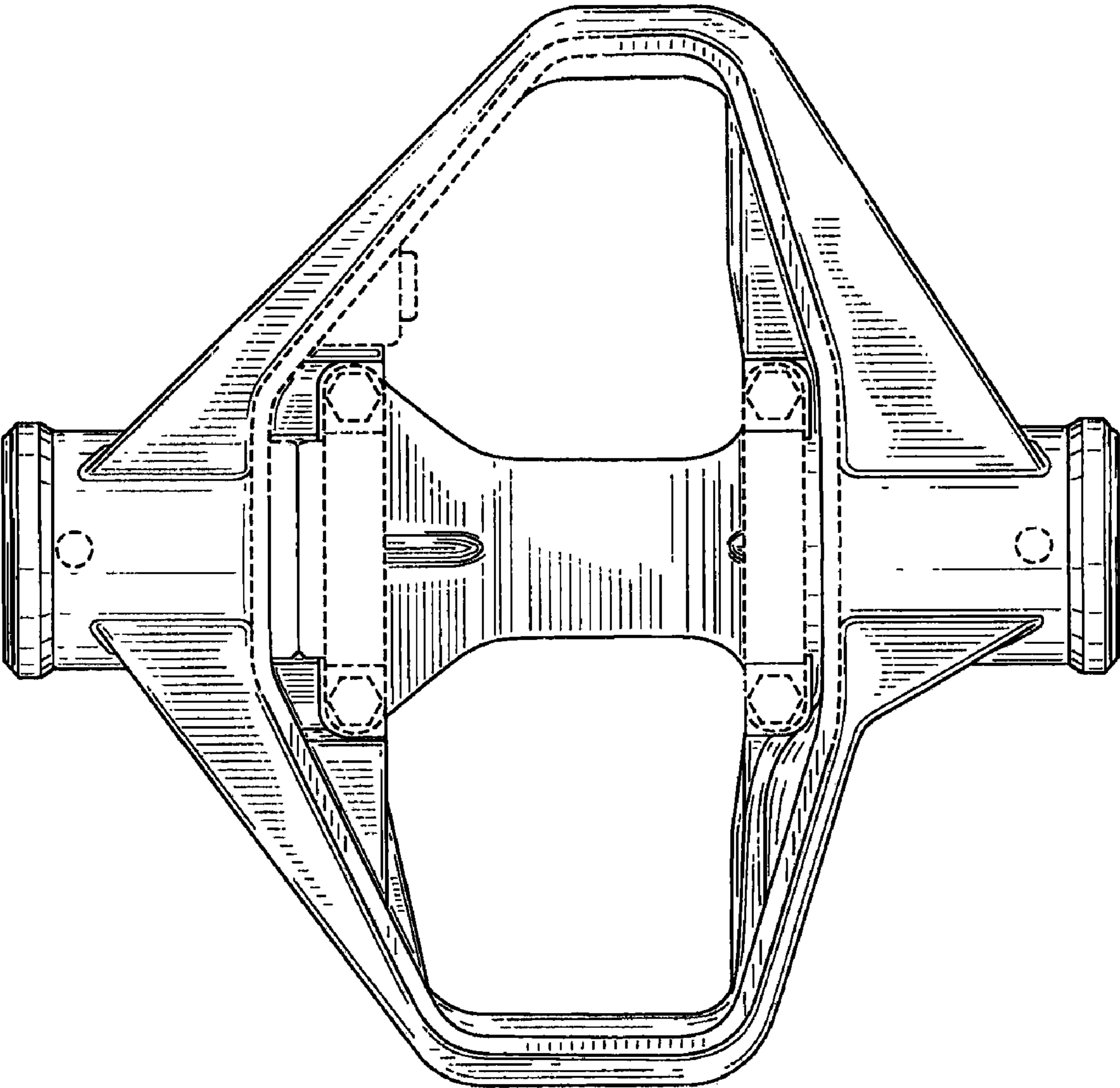


FIG. 2

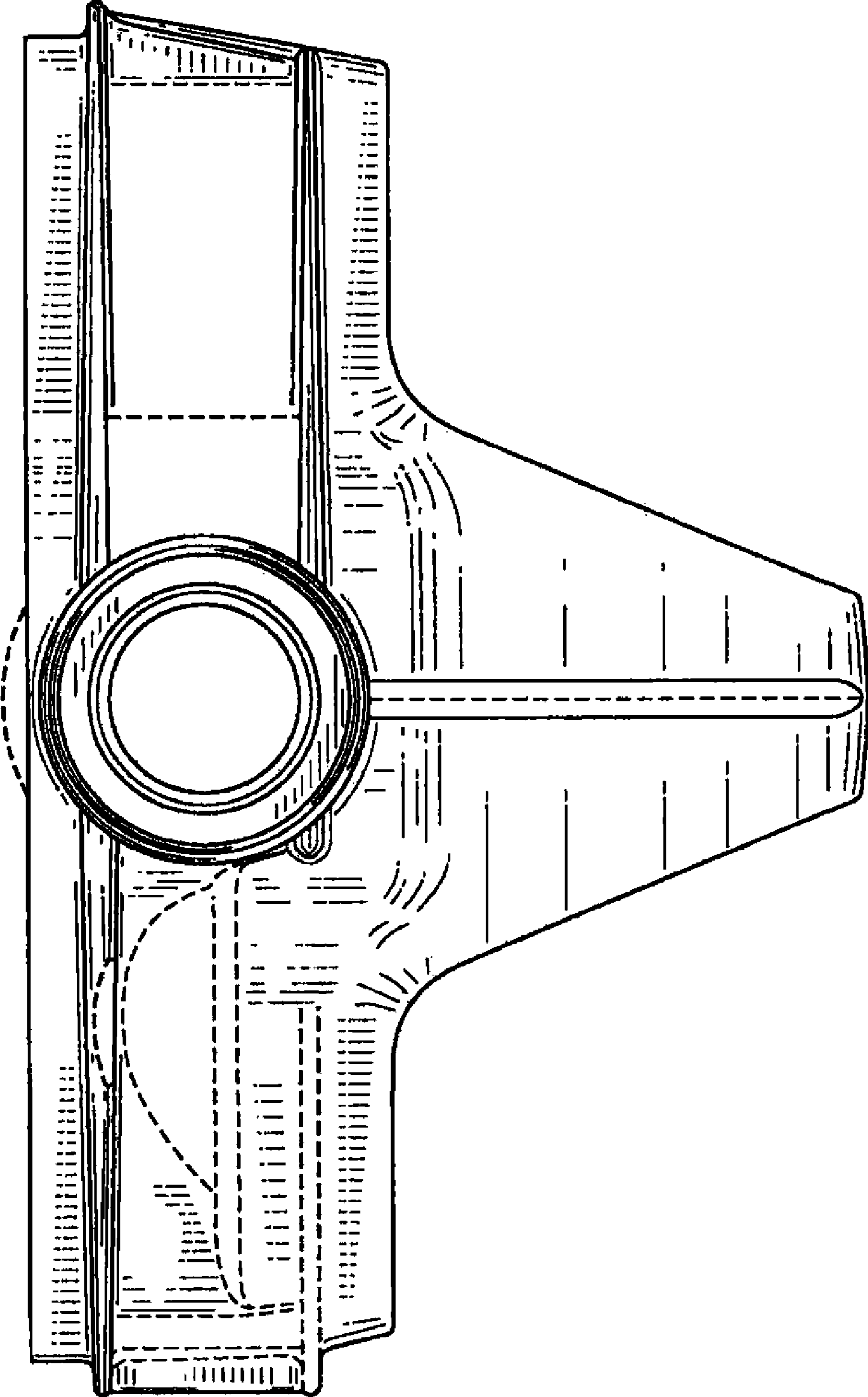


FIG. 3

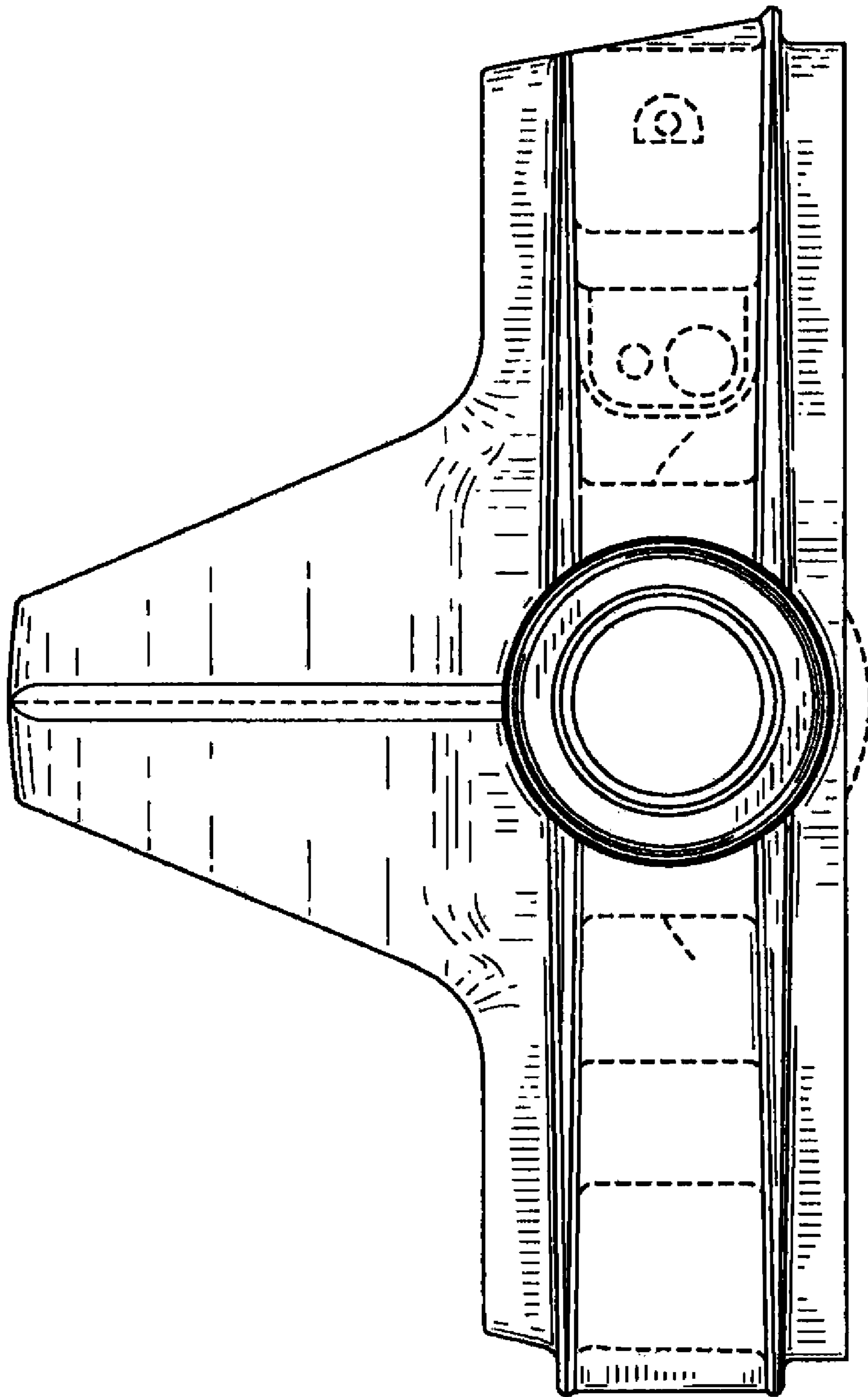


FIG. 4

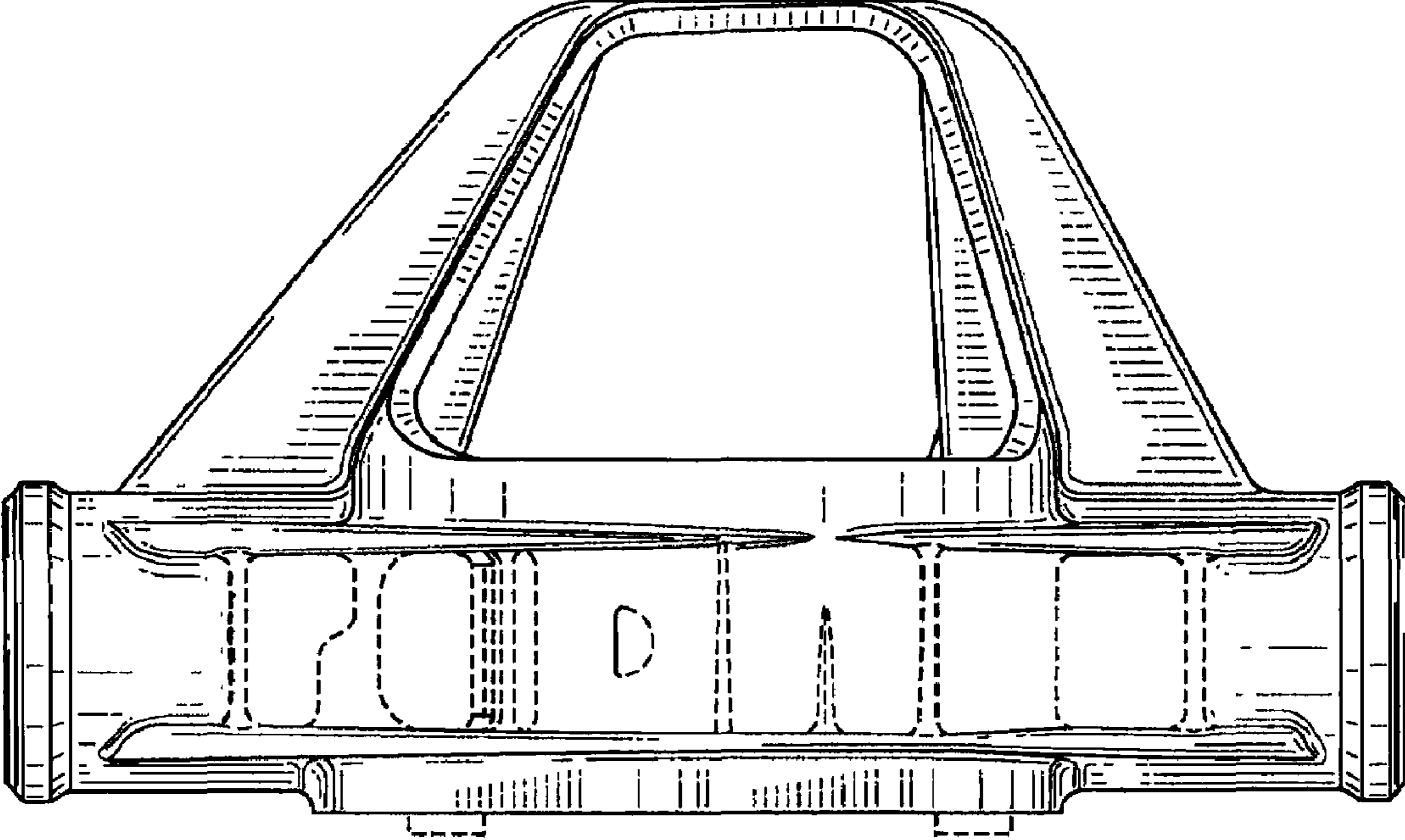


FIG. 5

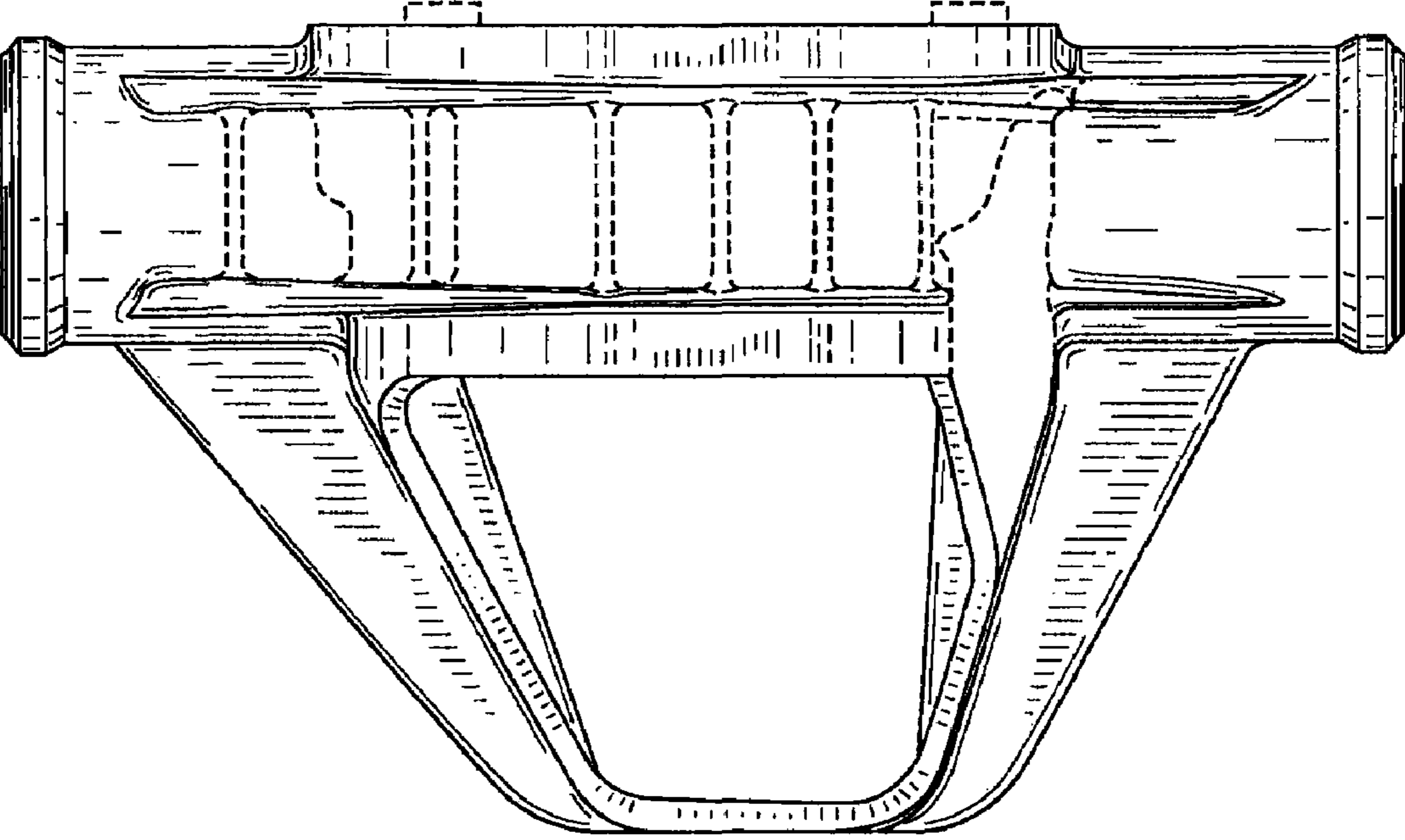


FIG. 6