



US00D600166S

(12) **United States Design Patent**
Tokumoto

(10) **Patent No.:** **US D600,166 S**

(45) **Date of Patent:** **** Sep. 15, 2009**

(54) **BICYCLE FRONT CHAIN WHEEL**

(75) Inventor: **Naoya Tokumoto**, Osaka (JP)

(73) Assignee: **Shimano Inc.**, Osaka (JP)

(**) Term: **14 Years**

(21) Appl. No.: **29/325,025**

(22) Filed: **Sep. 25, 2008**

(51) **LOC (9) Cl.** **12-11**

(52) **U.S. Cl.** **D12/123**

(58) **Field of Classification Search** D12/123,
D12/111; 474/151, 152, 155-158, 160-162,
474/164, 144; 74/594.1-594.4; 280/259,
280/260

See application file for complete search history.

(56) **References Cited**

U.S. PATENT DOCUMENTS

7,022,037 B2 *	4/2006	Valle	474/152
D532,342 S *	11/2006	Arakawa	D12/123
D553,055 S *	10/2007	Tokumoto	D12/123
D555,048 S *	11/2007	Hanamura	D12/123
D580,303 S *	11/2008	Okada	D12/123

* cited by examiner

Primary Examiner—Robin V Webster

Assistant Examiner—Linda Brooks

(74) *Attorney, Agent, or Firm*—Global IP Counselors, LLP

(57) **CLAIM**

The ornamental design for a bicycle front chain wheel, as shown and described.

DESCRIPTION

FIG. 1 is an outside perspective view of a bicycle front chain wheel in accordance with my new design;

FIG. 2 is an outside elevational view of the bicycle front chain wheel in accordance with my new design;

FIG. 3 is an inside elevational view of the bicycle front chain wheel in accordance with my new design;

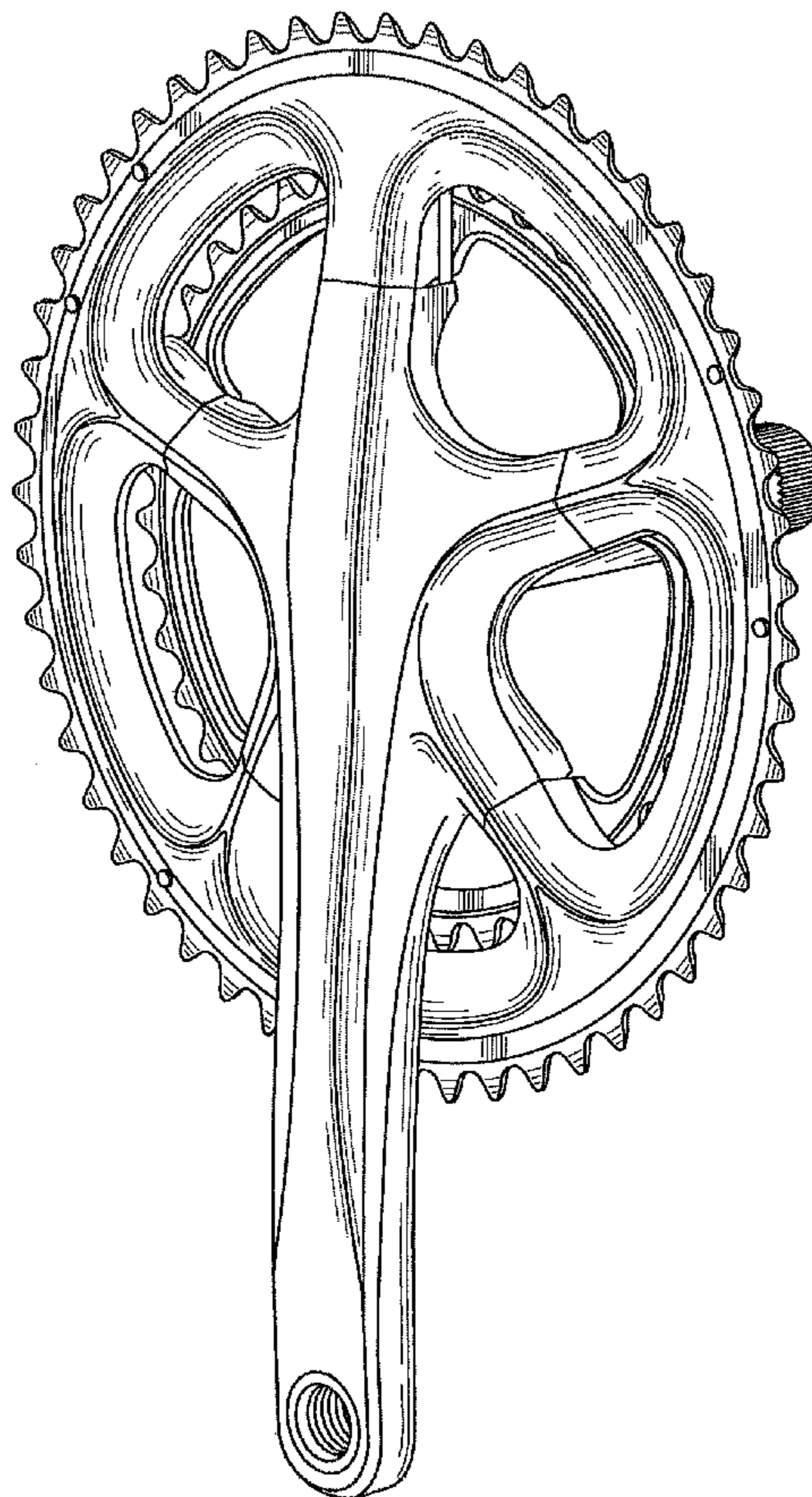
FIG. 4 is a left side elevational view of the bicycle front chain wheel in accordance with my new design;

FIG. 5 is a right side elevational view of the bicycle front chain wheel in accordance with my new design;

FIG. 6 is a top plan view of the bicycle front chain wheel in accordance with my new design; and,

FIG. 7 is a bottom plan view of the bicycle front chain wheel in accordance with my new design.

1 Claim, 6 Drawing Sheets



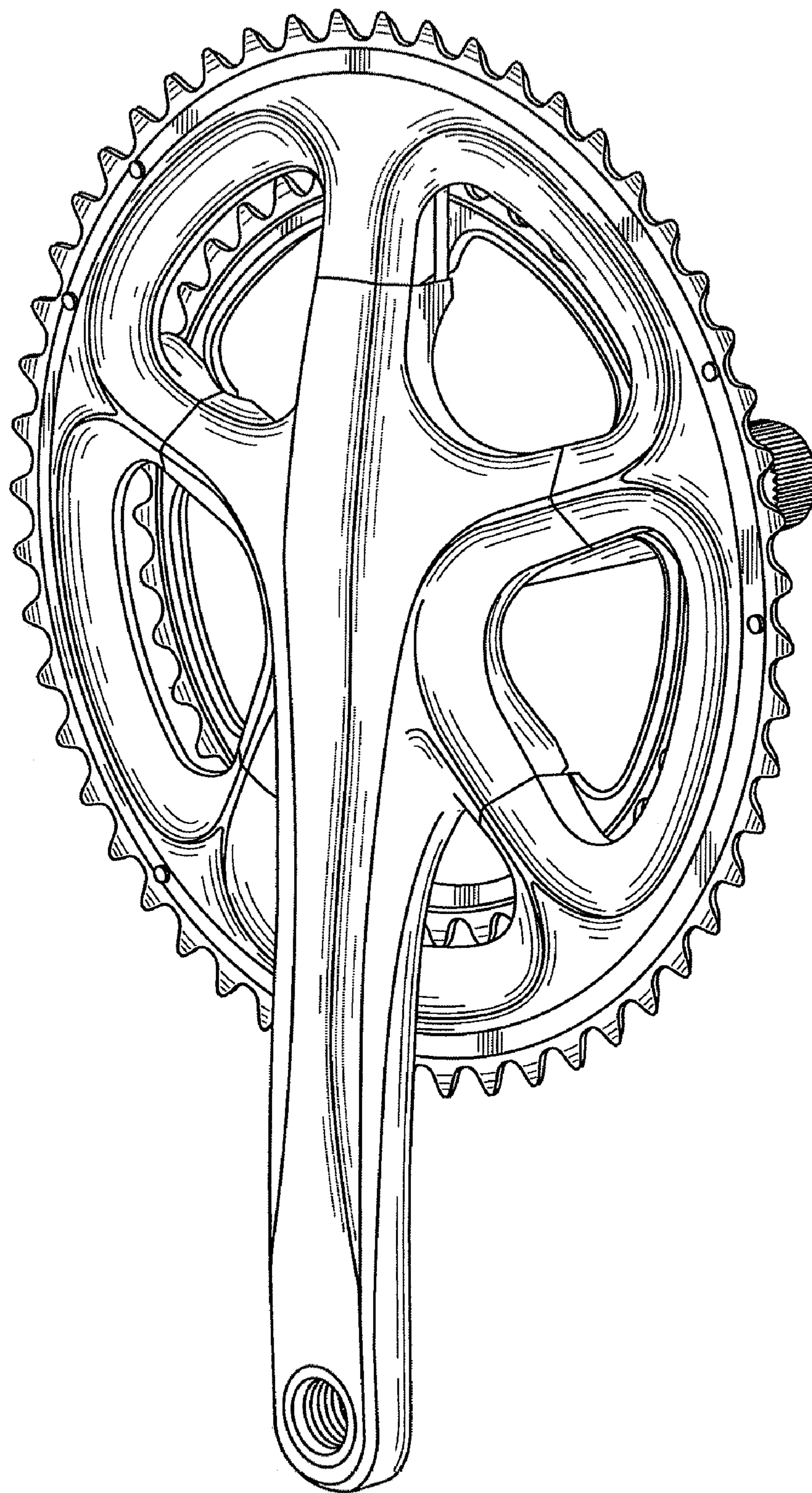


FIG. 1

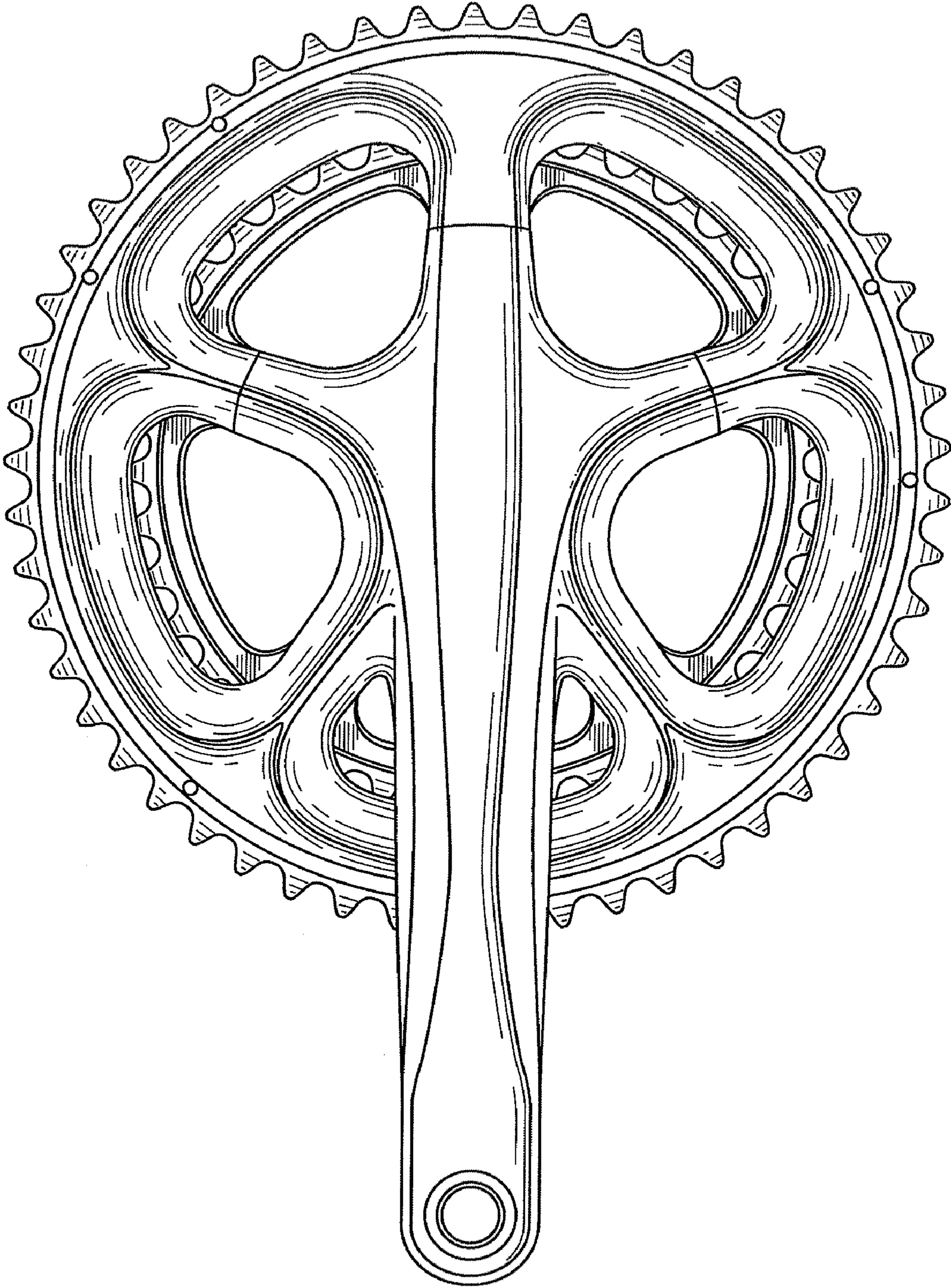


FIG. 2

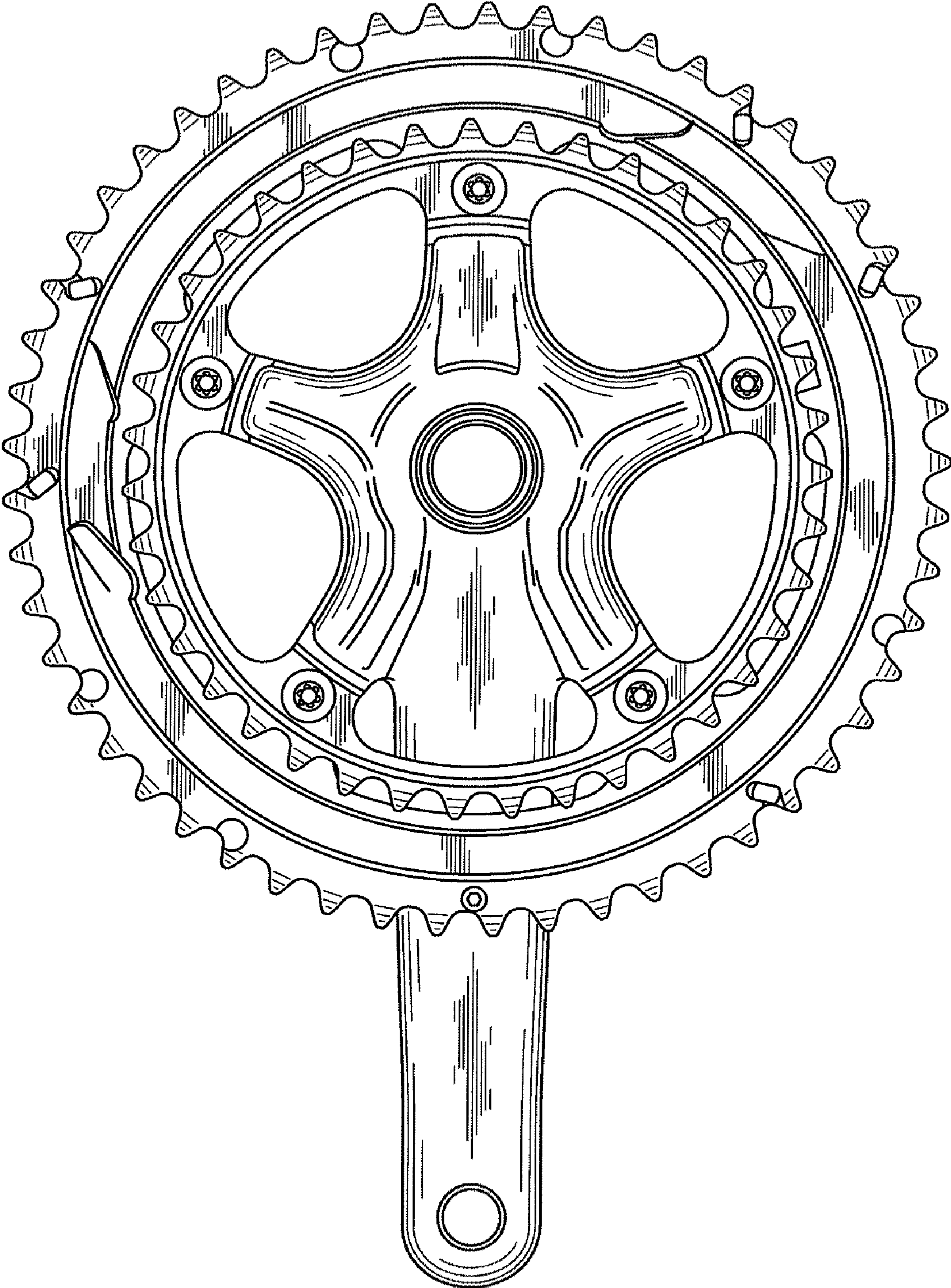


FIG. 3

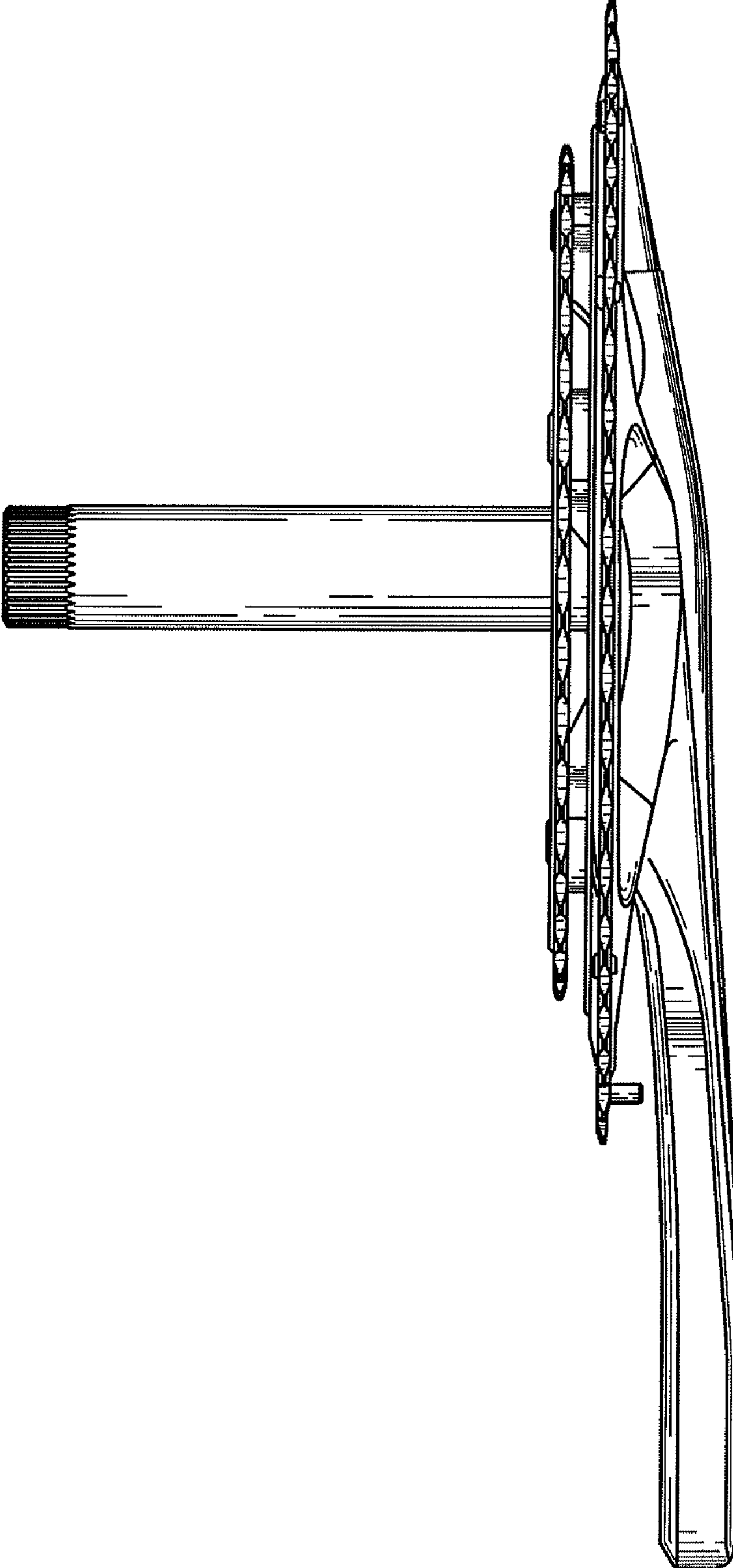


FIG. 4

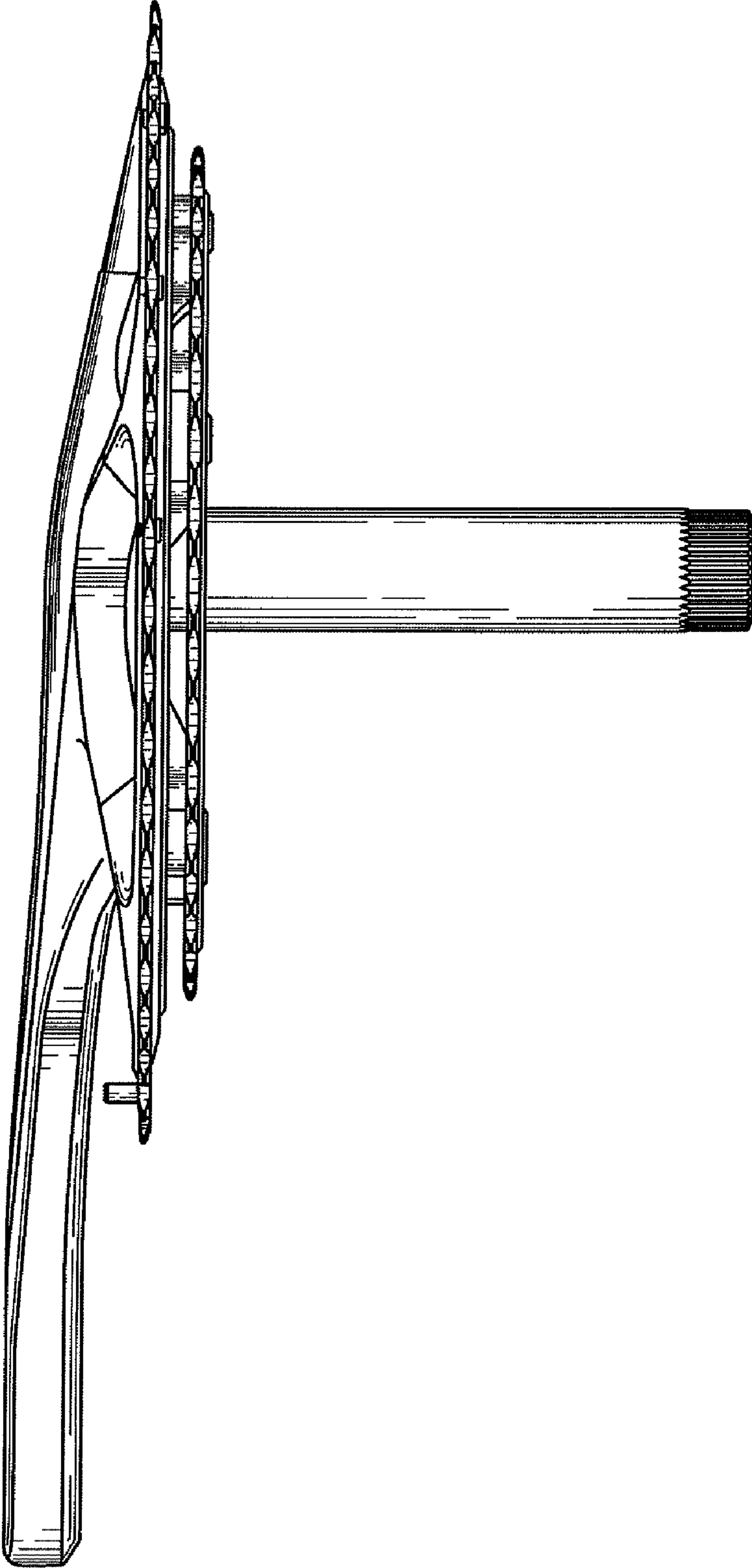


FIG. 5

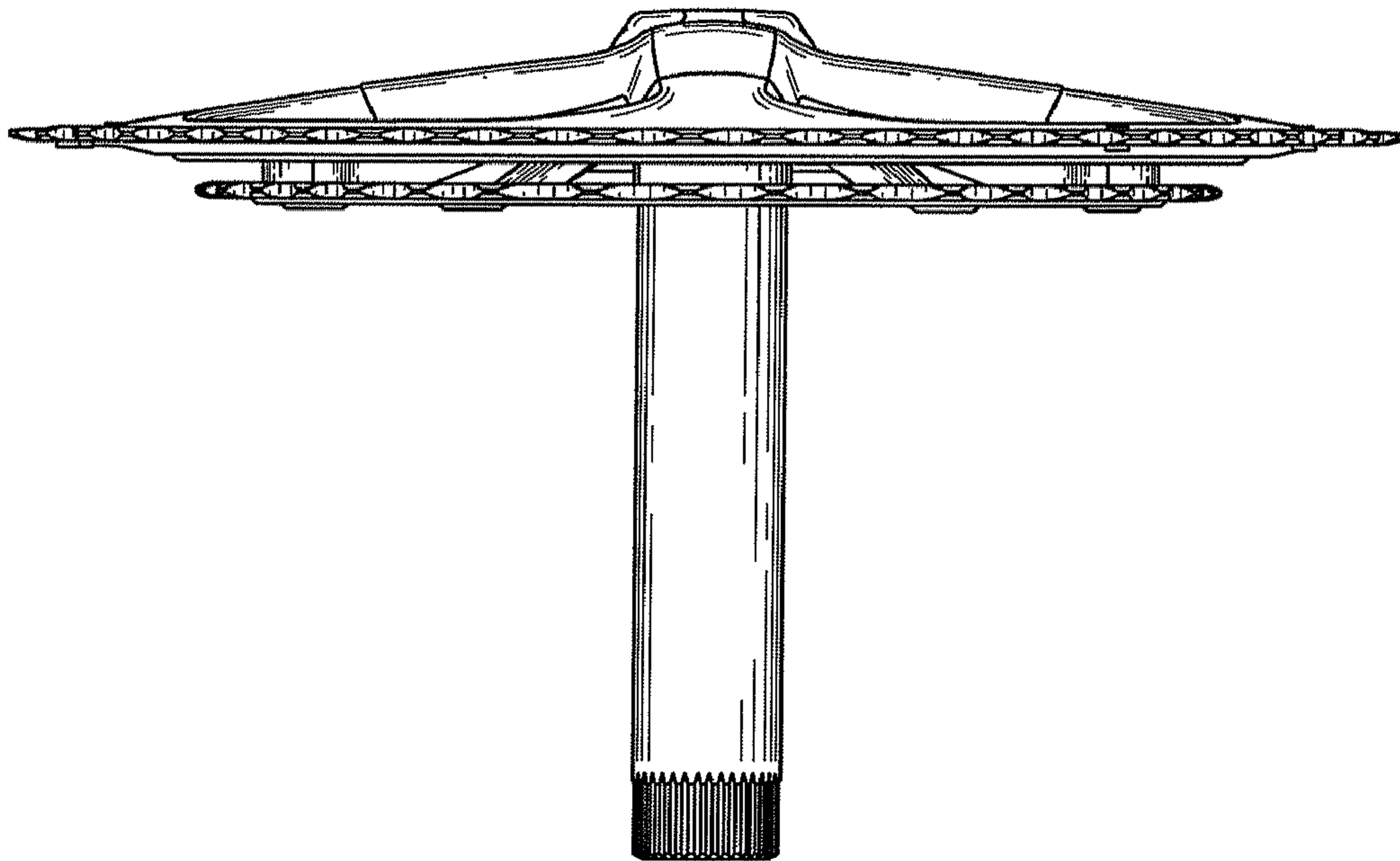


FIG. 6

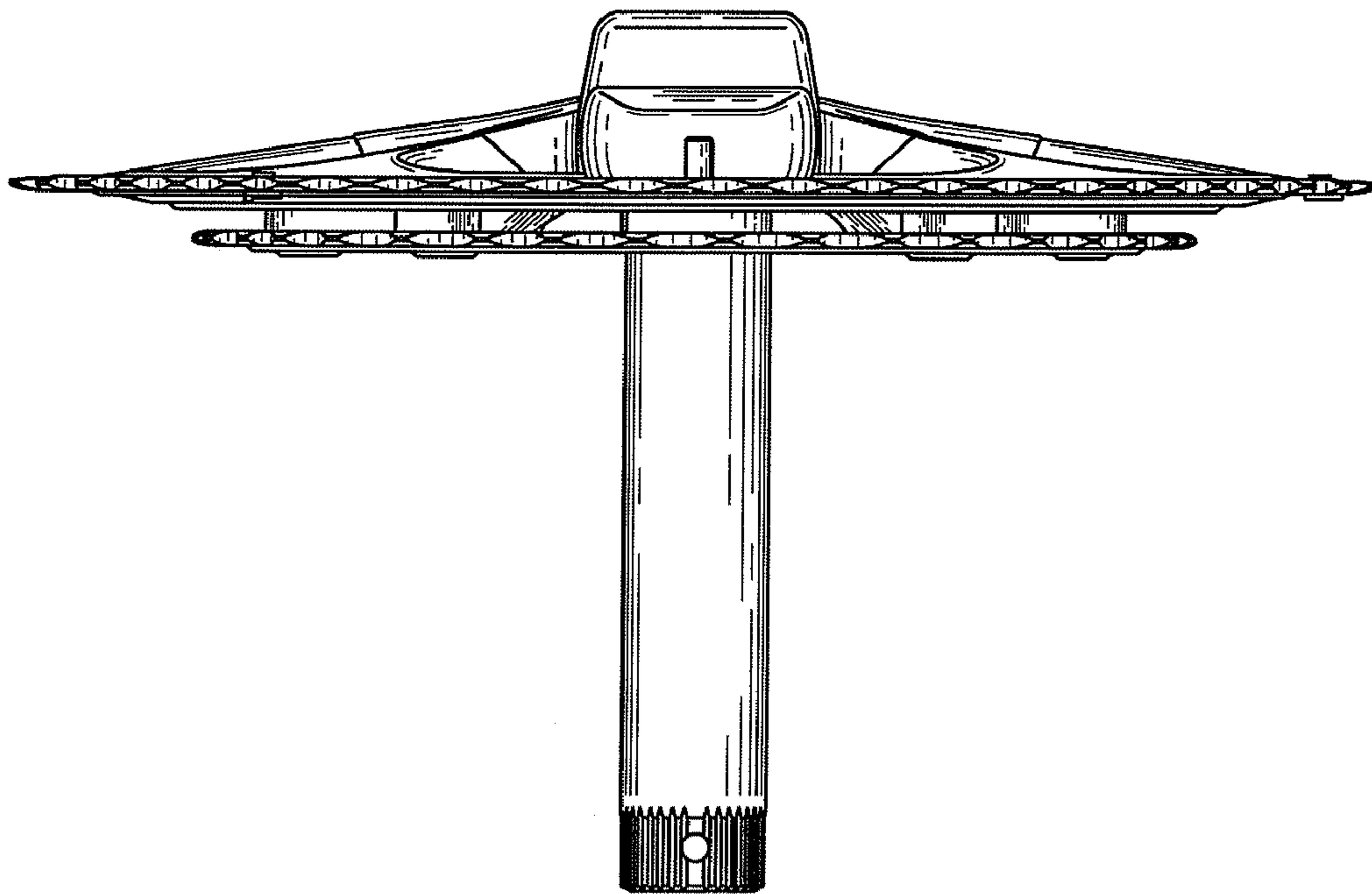


FIG. 7